



US00D941915S

(12) **United States Design Patent** (10) **Patent No.:** **US D941,915 S**
Kaluza (45) **Date of Patent:** **** Jan. 25, 2022**

(54) **DOCUMENT SHREDDER**

FOREIGN PATENT DOCUMENTS

(71) Applicant: **Erwin Müller GmbH**, Lingen (DE)

CN 303359050 * 9/2015

(72) Inventor: **Georg Kaluza**, Velbert (DE)

CN 303532850 * 12/2015

(73) Assignee: **Erwin Müller GmbH**, Lingen (DE)

CN 305037664 * 2/2019

(Continued)

(**) Term: **15 Years**

OTHER PUBLICATIONS

(21) Appl. No.: **29/671,347**

Amazon.com. Link: https://www.amazon.com/dp/B00GAKCVVK/ref=cm_sw_em_r_mt_dp_ujhKFbG5QZKCN?_encoding=UTF8&psc=1. Oct. 30, 2013. Aurora JamFree AU2030XA 20-Sheet Crosscut-Cut Paper / CD / Credit Card Shredder/ 60 Minutes Continuous Run Time. (Year: 2013).*

(22) Filed: **Nov. 27, 2018**

(Continued)

(30) **Foreign Application Priority Data**

Jun. 11, 2018 (EM) 005 306 396

Primary Examiner — Lauren D McVey

(51) **LOC (13) Cl.** **18-04**

(74) *Attorney, Agent, or Firm* — Gudrun E. Huckett

(52) **U.S. Cl.**

USPC **D18/34.5**

(58) **Field of Classification Search**

USPC D18/34.1, 34.2, 34.3, 34.4, 34.5, 34.6,
D18/34.7, 34.8, 34.9; D23/356, 359, 360,
D23/364

CPC B02C 18/0007; B02C 2018/0046; B02C
2018/0053

See application file for complete search history.

(57) **CLAIM**

The ornamental design for a document shredder, as shown and described.

DESCRIPTION

FIG. 1 is a perspective front view of the document shredder according to my new design;
FIG. 2 is a perspective rear view thereof;
FIG. 3 is a front view thereof;
FIG. 4 is a rear view thereof;
FIG. 5 is a left side view thereof;
FIG. 6 is a right side view thereof;
FIG. 7 is a top view thereof; and,
FIG. 8 is a bottom view thereof.

The wire frame lines shown throughout the views indicate surface contour.

The broken lines immediately adjacent to the claim depict the bounds of the claimed design, while all other broken lines are directed to environment. The broken lines form no part of the claimed design.

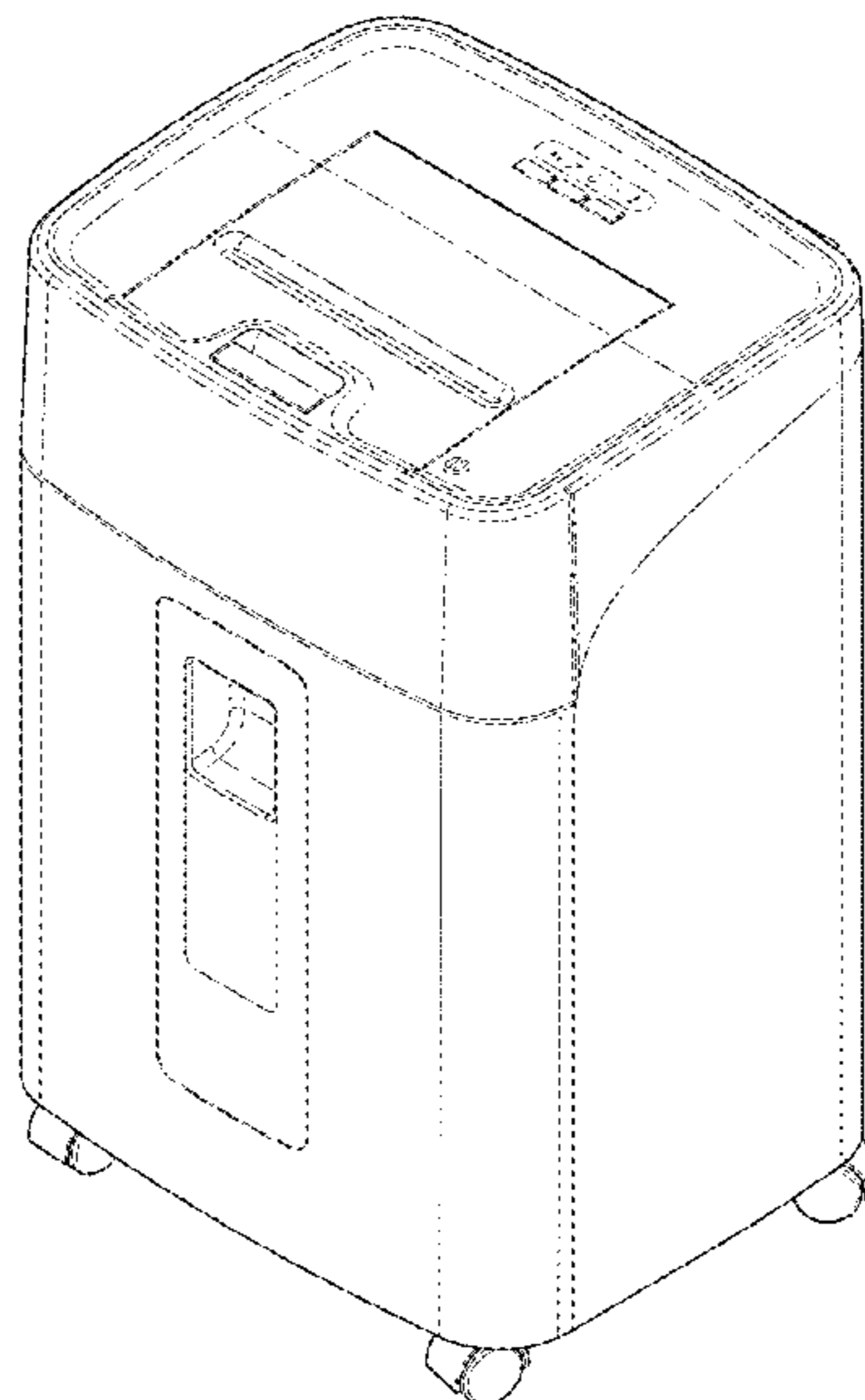
(56) **References Cited**

U.S. PATENT DOCUMENTS

D618,275 S * 6/2010 Wing D18/34.5
D677,717 S * 3/2013 Applegate D18/34.5
D678,396 S * 3/2013 Zhang D18/34.5
D688,740 S * 8/2013 Applegate D18/34.5
D690,764 S * 10/2013 Kim D18/34.5
D694,812 S * 12/2013 Choi D18/34.5
D694,813 S * 12/2013 Choi D18/34.5
D695,337 S * 12/2013 Choi D18/34.5
D705,859 S * 5/2014 Zhou D18/34.5
D707,749 S * 6/2014 Sued D18/34.4
D724,654 S * 3/2015 Labat D18/34.5

(Continued)

1 Claim, 8 Drawing Sheets



(56)

References Cited

U.S. PATENT DOCUMENTS

D835,713 S * 12/2018 Xu D18/34.6
D870,202 S * 12/2019 Padovano D18/34.5

FOREIGN PATENT DOCUMENTS

CN 305292245 * 8/2019
CN 305499301 * 12/2019

OTHER PUBLICATIONS

Amazon.com. Link: https://www.amazon.com/dp/B07PGMMNC6/ref=cm_sw_em_r_mt_dp_DphKFbTTG8246. Aug. 1, 2019.
AmazonBasics 12-Sheet High-Security Micro-Cut Paper, CD, and Credit Card Shredder with Pullout Basket. (Year: 2019).*

* cited by examiner

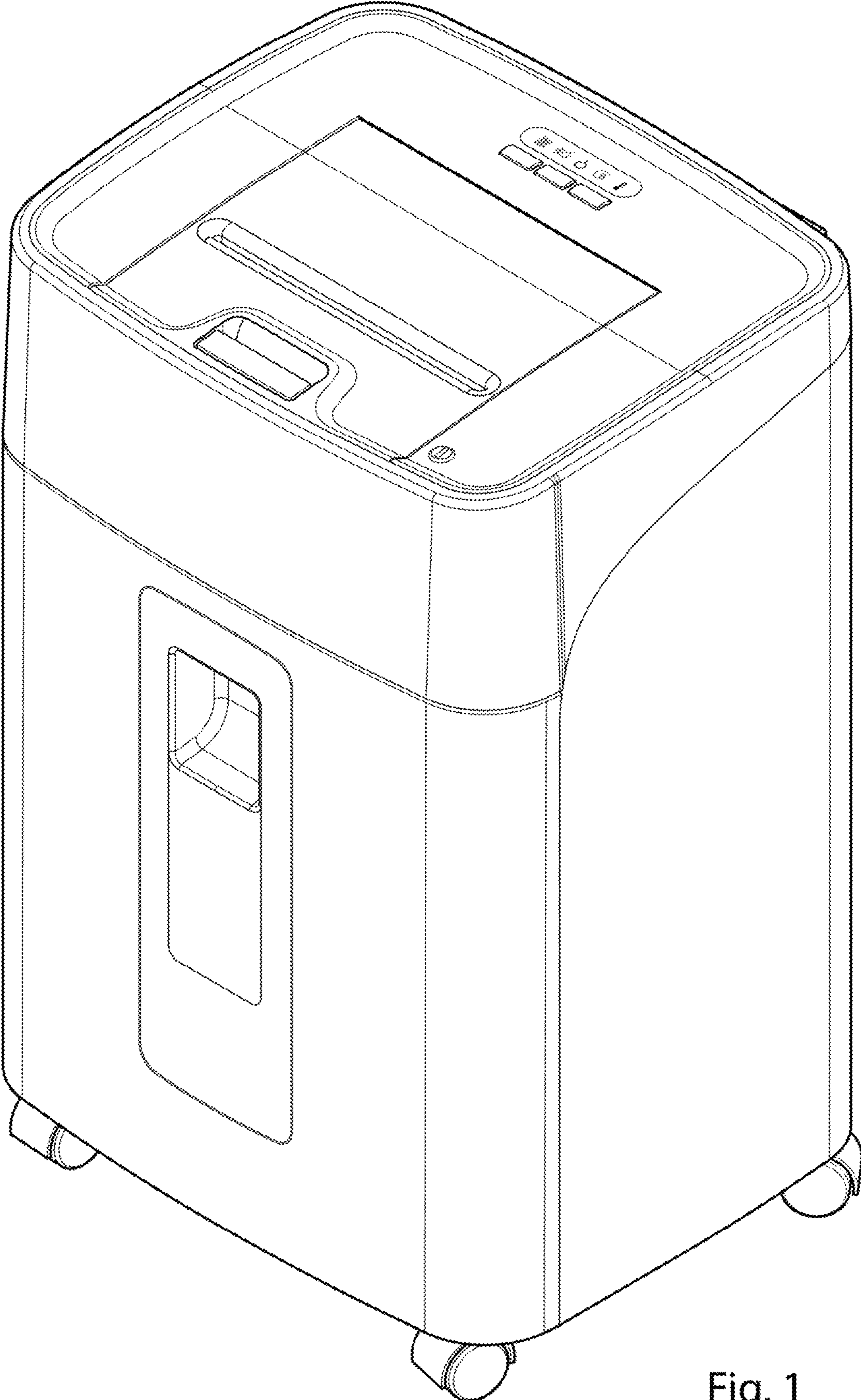


Fig. 1

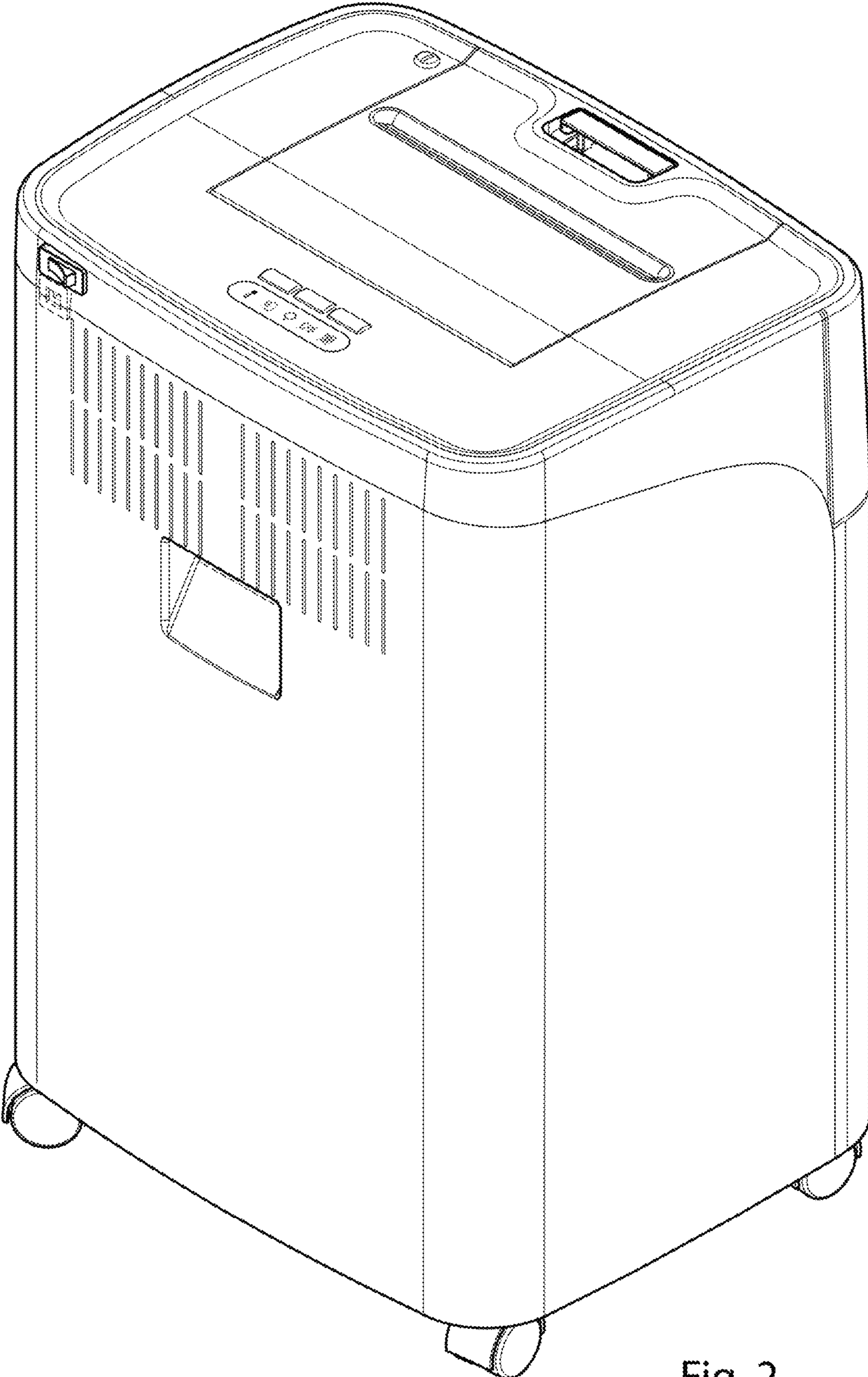


Fig. 2

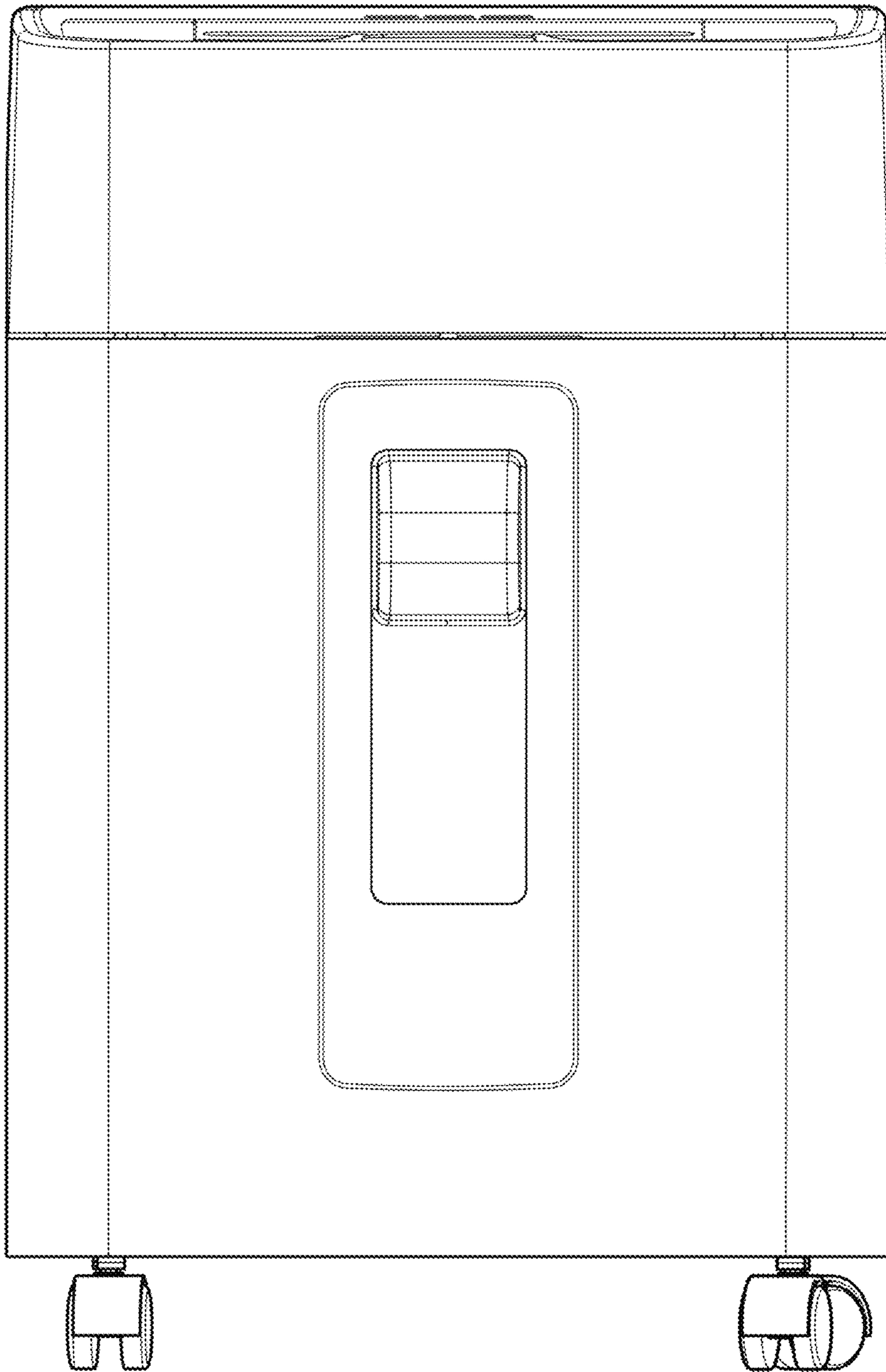


Fig. 3

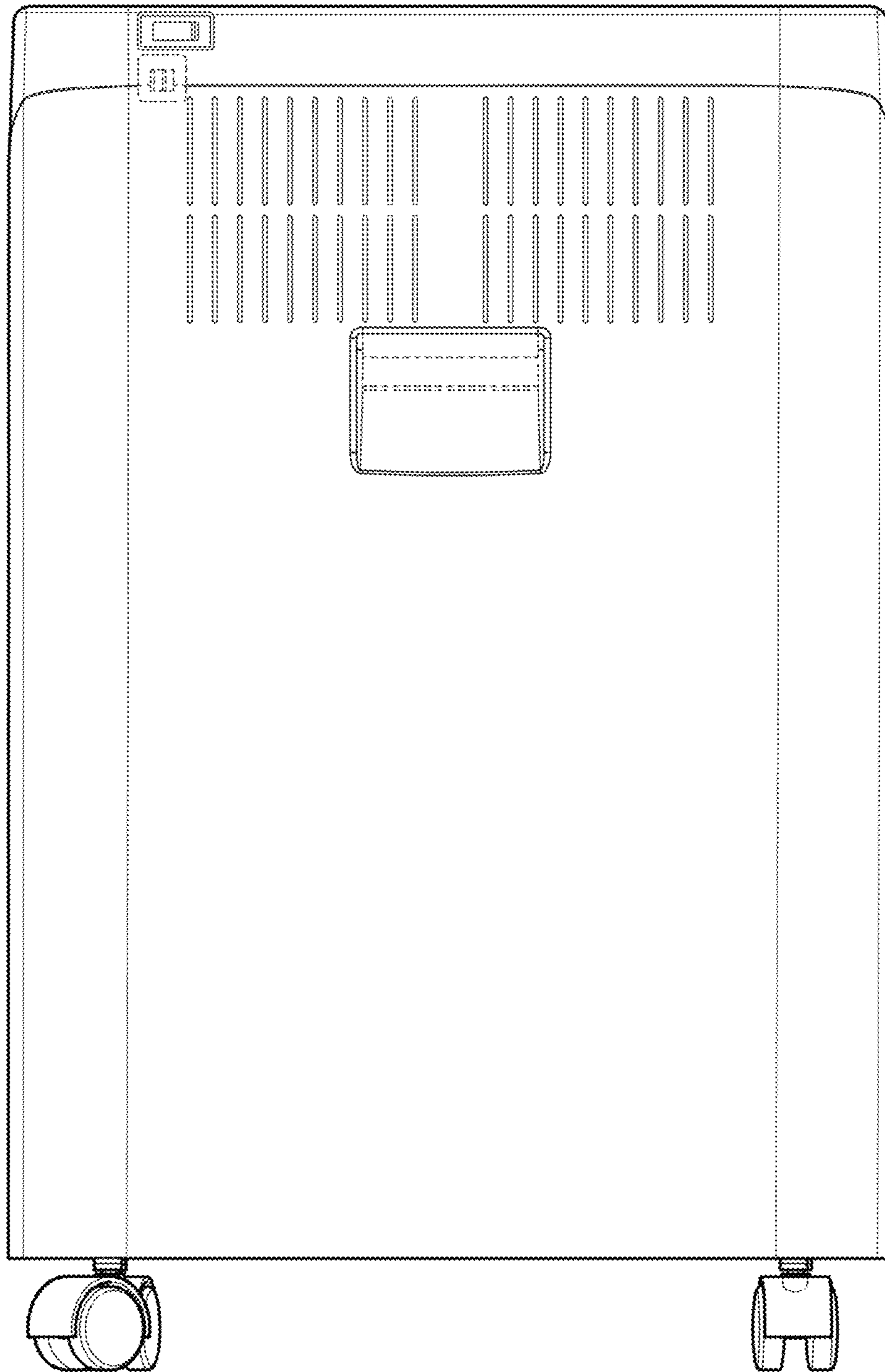


Fig. 4

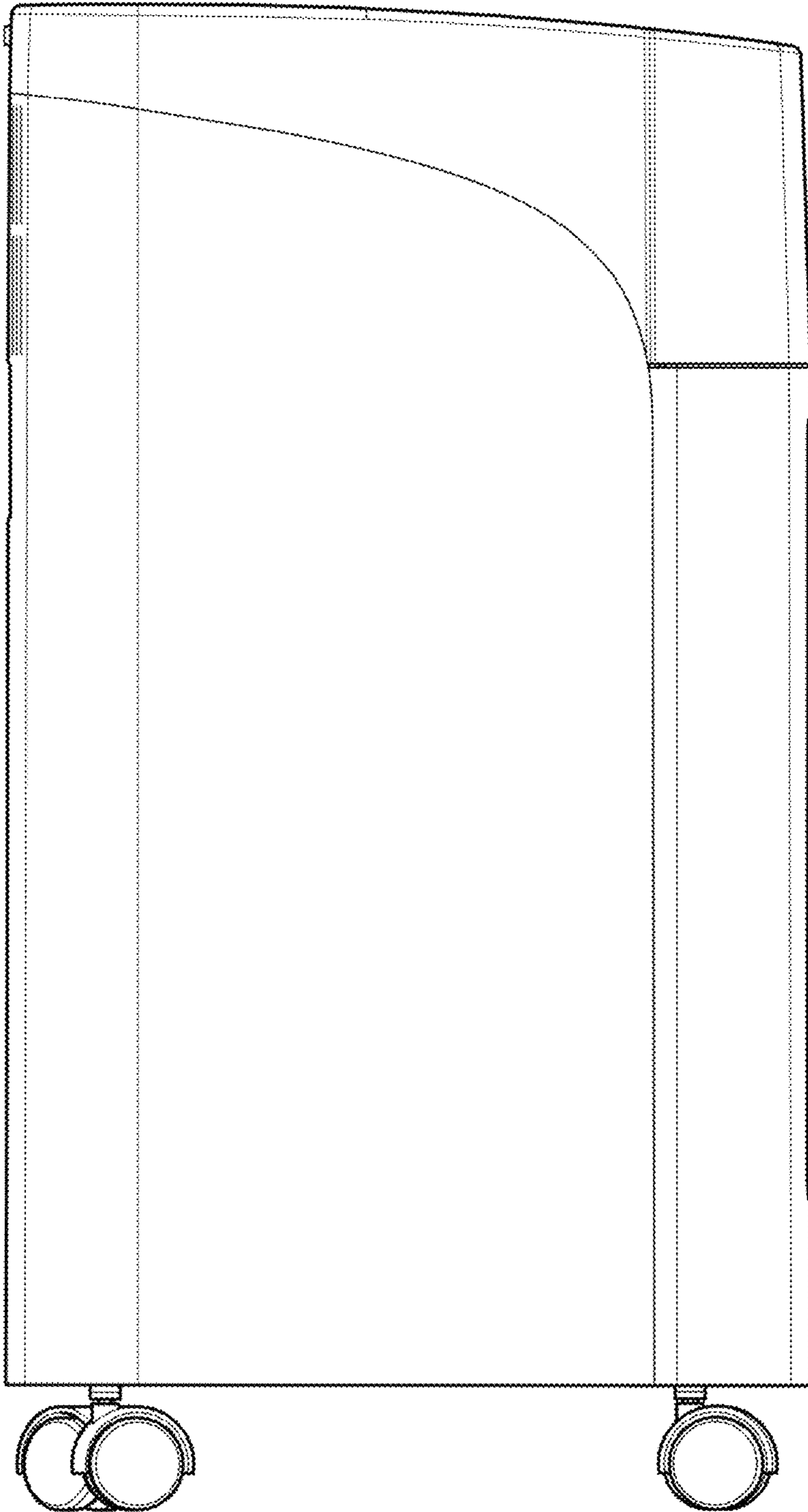


Fig. 5

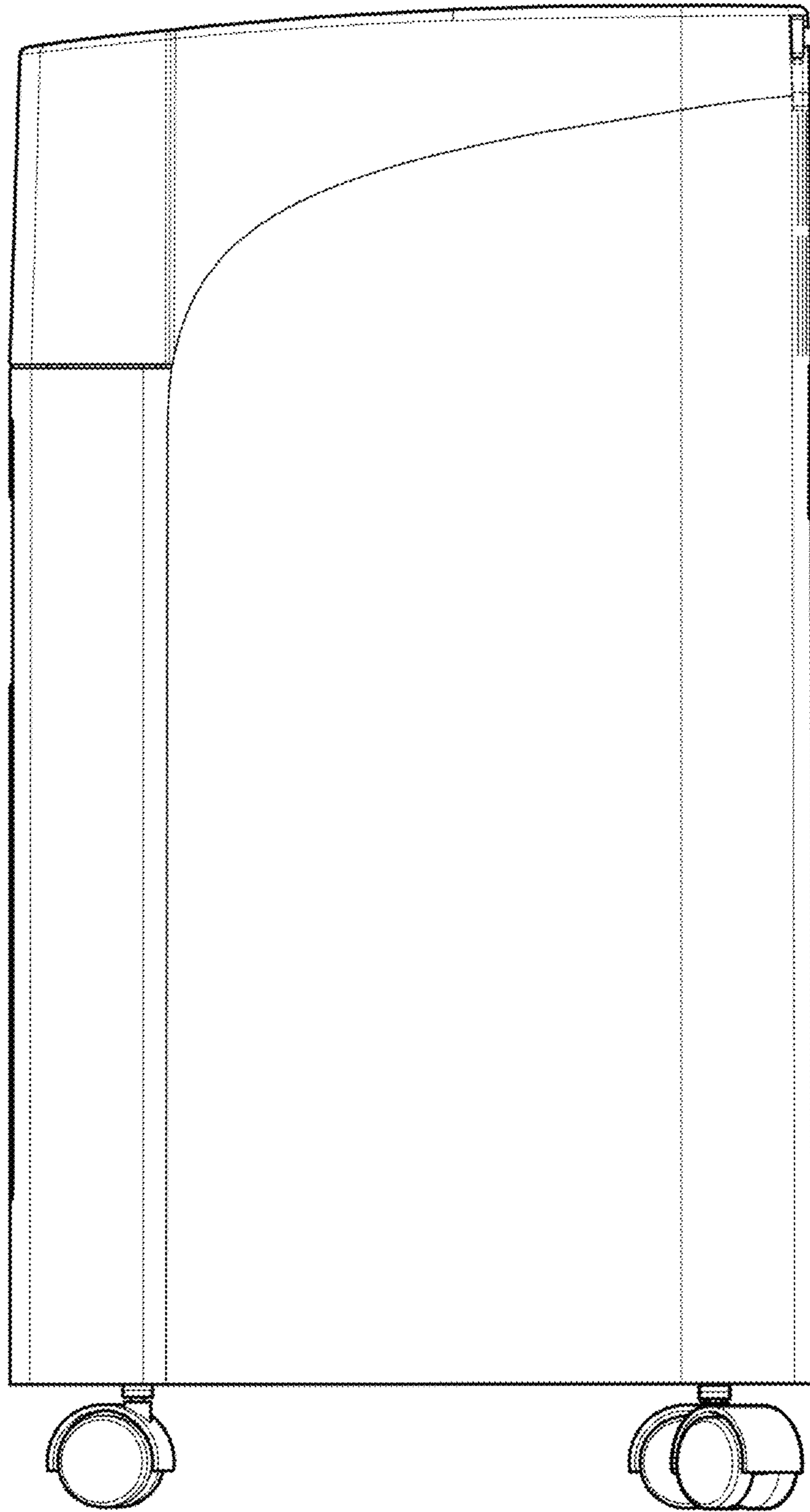


Fig. 6

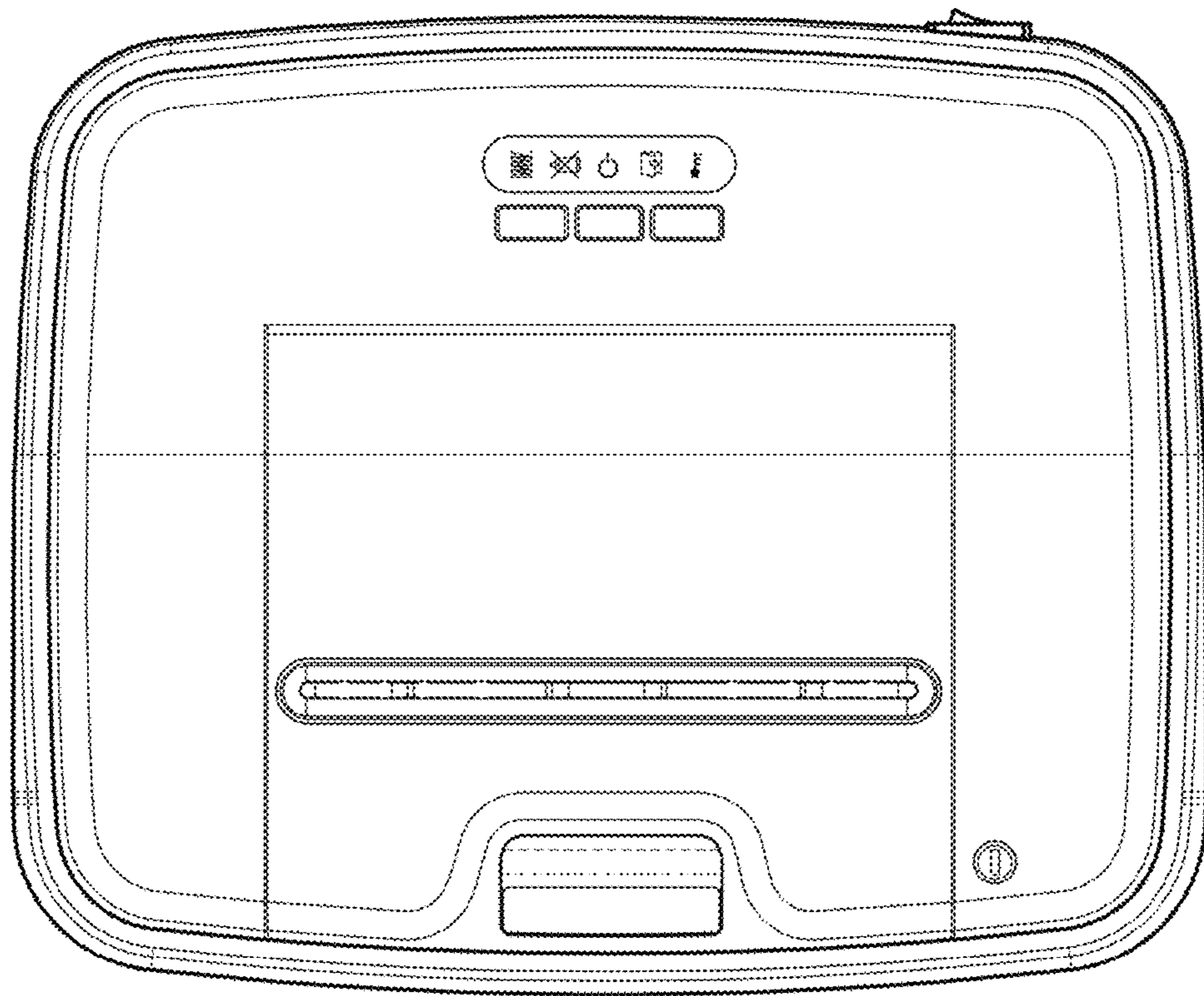


Fig. 7

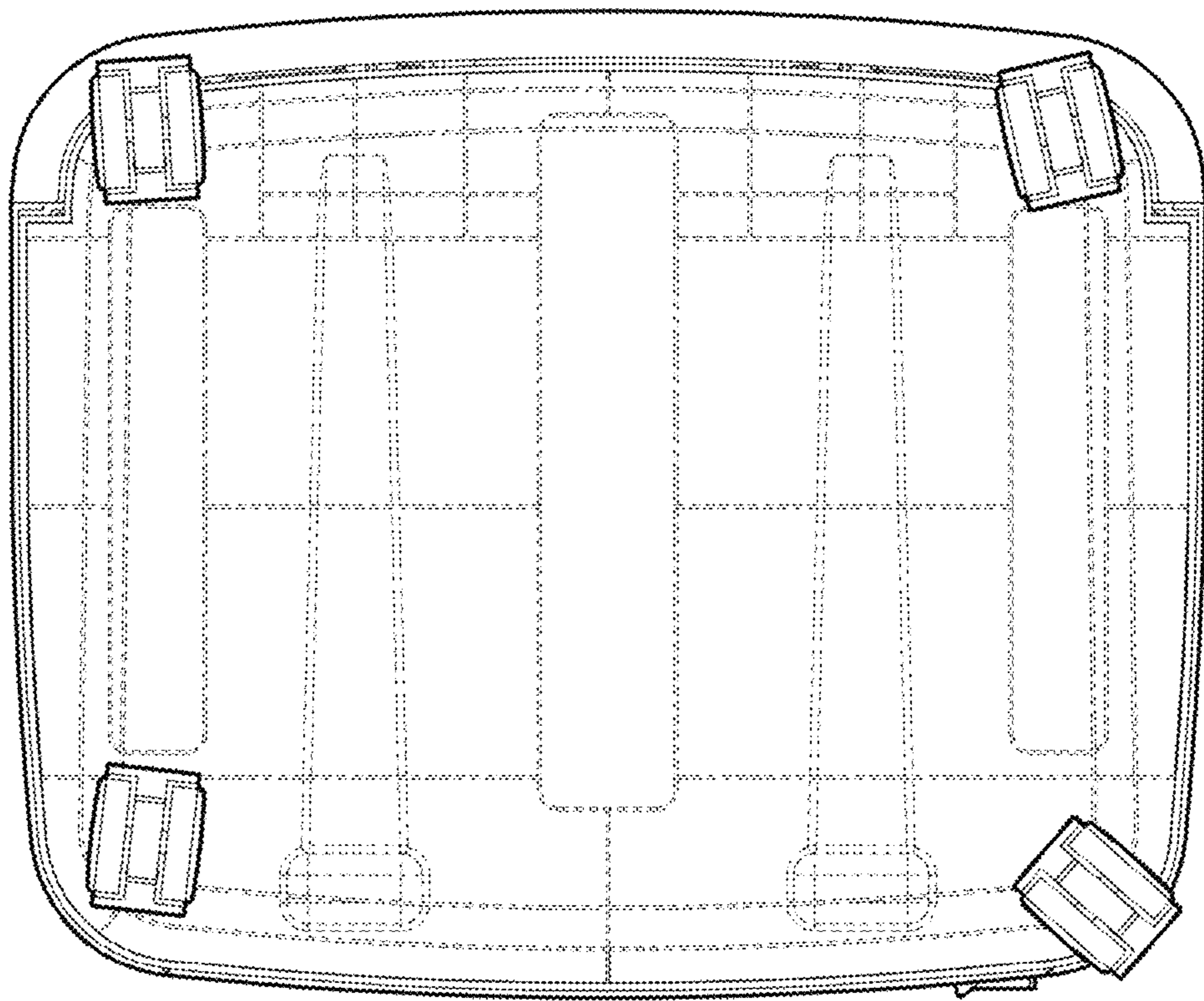


Fig. 8