



US00D941910S

(12) **United States Design Patent**
Ramazzotti

(10) **Patent No.:** **US D941,910 S**
(45) **Date of Patent:** **** Jan. 25, 2022**

(54) **BANKNOTE HANDLING MACHINE**

(71) Applicant: **Cima S.p.A.**, Mirandola (IT)

(72) Inventor: **Paolo Ramazzotti**, Bresso (IT)

(73) Assignee: **CIMA S.P.A.**, Mirandola (IT)

(**) Term: **15 Years**

(21) Appl. No.: **29/732,733**

(22) Filed: **Apr. 27, 2020**

(30) **Foreign Application Priority Data**

Oct. 31, 2019 (EM) 007141973

(51) **LOC (13) Cl.** **18-01**

(52) **U.S. Cl.**
USPC **D18/3.3**

(58) **Field of Classification Search**
USPC ... D18/3.1, 3.2, 3.3, 4.1, 4.4, 12, 12.1, 12.2,
D18/12.3, 46, 47, 56, 59, 2, 4.5, 4.6;
D14/300, 301, 302, 303, 307, 308, 348,
D14/349, 432, 439, 441, 448, 449, 462,
D14/469, 471, 900, 901, 902; D10/96,
D10/97; D99/28, 34, 35, 43, 99;
D19/64, 65, 86, 95, 99, 100; D20/1, 8, 9;
D15/122

CPC .. G07D 11/00; G07D 11/009; G07D 11/0093;
G07D 11/50; G07D 11/0003; G07D
11/0021; G07D 11/0042; G07D 11/0081;
G07D 11/0084; G07D 11/0006; G07D
11/0009; G07D 2207/00; G07D 2211/00;
G07D 7/00; G07D 7/04; G07D 9/008;
G07G 1/00; G07G 1/0009; G07G 1/0036;
G07G 1/10; G07G 1/12; G07F 19/20;
G07F 19/205

See application file for complete search history.

(56) **References Cited**

U.S. PATENT DOCUMENTS

1,460,878	A *	7/1923	Allen	G07D 1/00 453/29
D158,814	S *	5/1950	Sundberg et al.	D14/359
2,588,190	A *	3/1952	Wockenfuss	D18/47
D189,549	S *	1/1961	Koci	D10/97
D199,692	S *	12/1964	Stolarz	D10/97
D275,738	S *	10/1984	Willette	D10/97
D279,577	S *	7/1985	Kajita	D18/3.3
D282,307	S *	1/1986	Nishida	D18/3.3
D285,857	S *	9/1986	Nishida	D18/3.3
D296,908	S *	7/1988	Trimble	D20/1
D321,013	S *	10/1991	Yukimoto	D20/9
5,062,598	A *	11/1991	Winkler	G07D 11/26 271/6
D335,149	S *	4/1993	Dabrowski	D20/1
D339,163	S *	9/1993	Moore	D20/4
5,562,536	A *	10/1996	Uchida	G07D 9/008 453/9
D428,045	S *	7/2000	Stettes	D18/3.1

(Continued)

Primary Examiner — Marie D. Fast Horse
(74) *Attorney, Agent, or Firm* — Cantor Colburn LLP

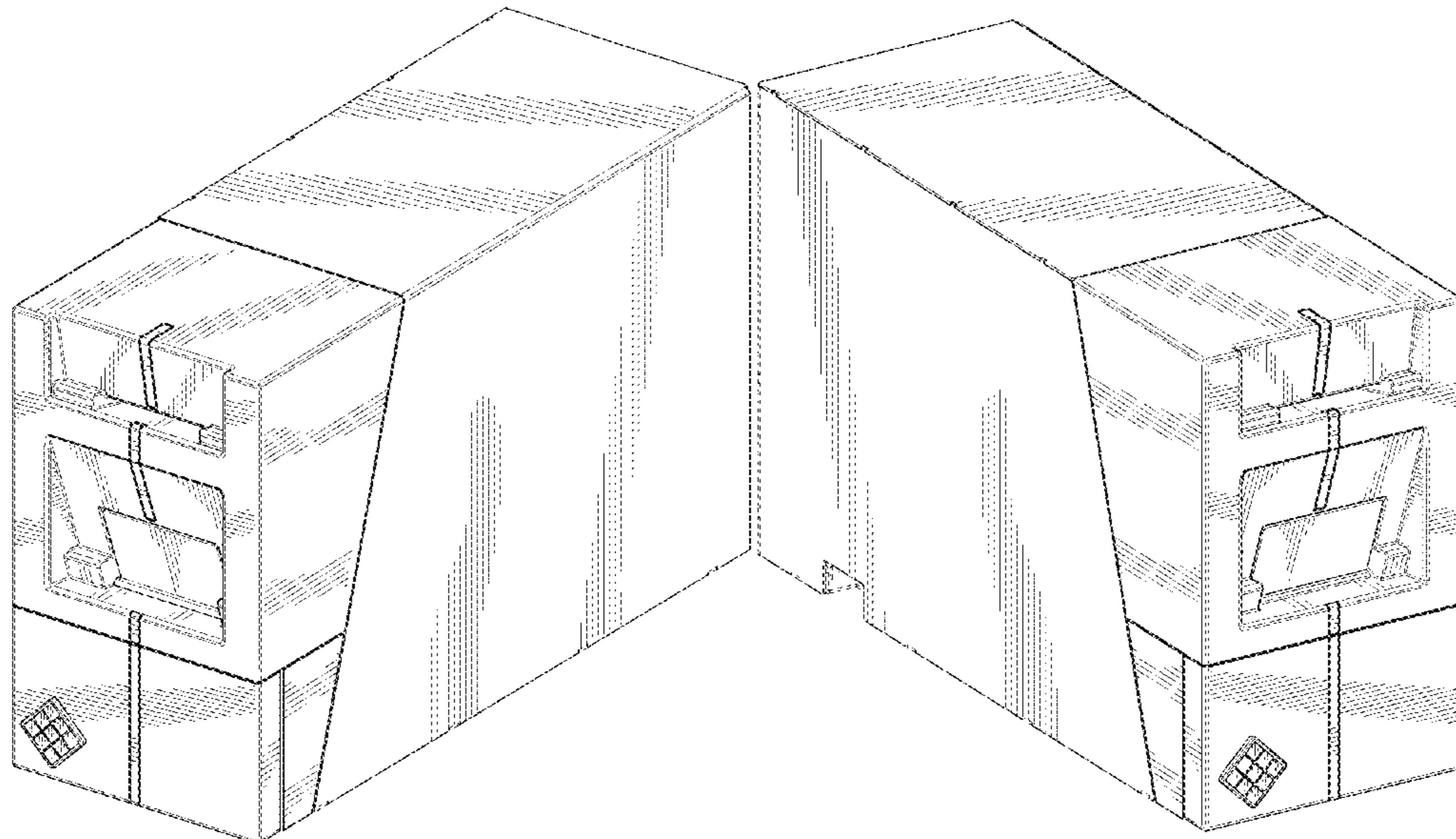
(57) **CLAIM**

I claim, the ornamental design for a banknote handling machine, as shown and described.

DESCRIPTION

FIG. 1 is a front perspective view of a banknote handling machine, showing my new design;
FIG. 2 is a front perspective view thereof;
FIG. 3 is a front elevation view thereof;
FIG. 4 is a rear elevation view thereof;
FIG. 5 is a right side elevation view thereof;
FIG. 6 is a left side elevation view thereof;
FIG. 7 is a top plan view thereof; and,
FIG. 8 is a bottom plan view thereof.
The broken lines depict portions of the banknote handling machine that form no part of the claimed design.

1 Claim, 6 Drawing Sheets



(56)

References Cited

U.S. PATENT DOCUMENTS

6,105,820	A *	8/2000	McGill	A23G 9/28 222/146.6
D432,159	S *	10/2000	Mallory	D18/3.1
D436,120	S *	1/2001	Nottingham	D18/3.1
D448,040	S *	9/2001	Forslund	D18/3.1
D452,873	S *	1/2002	Nakao	D18/3.1
6,460,705	B1 *	10/2002	Hallowell	G07D 11/10 209/534
6,601,687	B1 *	8/2003	Jenrick	G07D 11/13 194/206
6,860,375	B2 *	3/2005	Hallowell	B65H 29/40 194/328
D523,468	S *	6/2006	Umeda	D18/3.1
D540,391	S *	4/2007	Irie	D20/9
D541,870	S *	5/2007	Tandberg	D20/1
7,370,792	B1 *	5/2008	Graef	G07F 19/20 235/379
7,377,846	B2 *	5/2008	Umeda	G07D 1/02 453/3
D574,417	S *	8/2008	Gaze	D14/308
D574,418	S *	8/2008	Gaze	D14/308
D574,419	S *	8/2008	Gaze	D14/308
D574,420	S *	8/2008	Gaze	D14/308
D574,421	S *	8/2008	Gaze	D14/308
D574,422	S *	8/2008	Gaze	D14/308
D579,481	S *	10/2008	Gaze	D14/308
D579,482	S *	10/2008	Gaze	D14/308
7,470,174	B2 *	12/2008	Umeda	G07D 3/14 194/346
D618,875	S *	6/2010	Tougo	D99/28
D624,066	S *	9/2010	Samsonsen	D14/308
D626,171	S *	10/2010	Von Heifner	D18/3.1
7,900,829	B1 *	3/2011	Folk	G06Q 30/00 235/380
D650,007	S *	12/2011	Inage	D18/3.3
D669,525	S *	10/2012	Bleck	D18/3.3
D671,164	S *	11/2012	Bleck	D18/3.3
D677,714	S *	3/2013	Helgesson	D18/4.4
D690,330	S *	9/2013	Tsuchiyama	D15/122
D724,813	S *	3/2015	Umeda	D99/34
D725,865	S *	3/2015	Cho	D99/28
8,973,817	B1 *	3/2015	Daniel, III	B65H 1/022 235/379
D766,540	S *	9/2016	Lee	D99/28
D767,239	S *	9/2016	Umeda	D99/34
D774,722	S *	12/2016	Yeon	D99/28
D776,399	S *	1/2017	Yeon	D99/28
D782,148	S *	3/2017	Rohan	D99/28
D810,189	S *	2/2018	Enomoto	D18/3.1
D825,133	S *	8/2018	Park	D99/28
D834,092	S *	11/2018	Bruckner	D20/8
10,204,469	B2 *	2/2019	Yokawa	G07D 11/26
D844,045	S *	3/2019	Umeda	D18/3.1
10,262,488	B1 *	4/2019	Frank	G07D 9/008
D850,524	S *	6/2019	Oba	D18/3.3
D863,439	S *	10/2019	Mycroft	D20/1
D871,499	S *	12/2019	Kuroda	D18/3.3
D879,873	S *	3/2020	Takahashi	D18/3.1
D883,604	S *	5/2020	Block	D99/28
2003/0201146	A1 *	10/2003	Abe	G07D 1/02 194/302
2005/0056693	A1 *	3/2005	Yokoi	G07D 11/30 235/379
2006/0040603	A1 *	2/2006	Nishimura	G07D 9/008 453/3
2006/0043167	A1 *	3/2006	Fujioka	G07F 19/202 235/379
2007/0149102	A1 *	6/2007	Umeda	G07D 9/008 453/56
2008/0047801	A1 *	2/2008	Nakatsuka	G07D 11/26 194/206
2008/0053786	A1 *	3/2008	Oie	G06Q 20/203 194/206
2008/0171508	A1 *	7/2008	Enomoto	G07D 9/008 453/18
2009/0071793	A1 *	3/2009	Nagase	G07D 9/02 194/215
2009/0120760	A1 *	5/2009	Sjostrom	G07D 9/008 194/302
2010/0181333	A1 *	7/2010	Mizushima	G07D 11/14 221/1
2010/0303332	A1 *	12/2010	Miki	G07D 11/50 382/135
2012/0005073	A1 *	1/2012	Gnorski	G06Q 20/10 705/39
2012/0012436	A1 *	1/2012	Nakamoto	B65H 29/006 194/215
2012/0173013	A1 *	7/2012	Nakamoto	G07D 11/50 700/215
2012/0217127	A1 *	8/2012	Yasui	G07D 9/00 194/342
2013/0035024	A1 *	2/2013	Okawa	453/18
2013/0256987	A1 *	10/2013	Miki	G07D 11/50 271/264
2014/0030972	A1 *	1/2014	Bengtsson	G07D 9/04 453/3
2014/0030973	A1 *	1/2014	Bengtsson	G07D 1/00 453/18
2014/0031974	A1 *	1/2014	Ingvarsson	G07D 1/00 700/232
2015/0158608	A1 *	6/2015	Talarico	G07F 13/10 53/440
2017/0186261	A1 *	6/2017	Haraguchi	G07D 1/00
2017/0270737	A1 *	9/2017	Sakamoto	G07F 7/04
2018/0300990	A1 *	10/2018	Kim	G07D 11/18
2019/0073851	A1 *	3/2019	Umeda	G07D 1/00
2019/0122478	A1 *	4/2019	Sanda	G07D 7/17
2019/0139350	A1 *	5/2019	Kuroda	G07D 11/34
2019/0325711	A1 *	10/2019	Clauser	G06F 13/4282
2020/0035055	A1 *	1/2020	Razzaboni	G07D 1/00
2020/0372745	A1 *	11/2020	Onishi	G07F 19/202

* cited by examiner

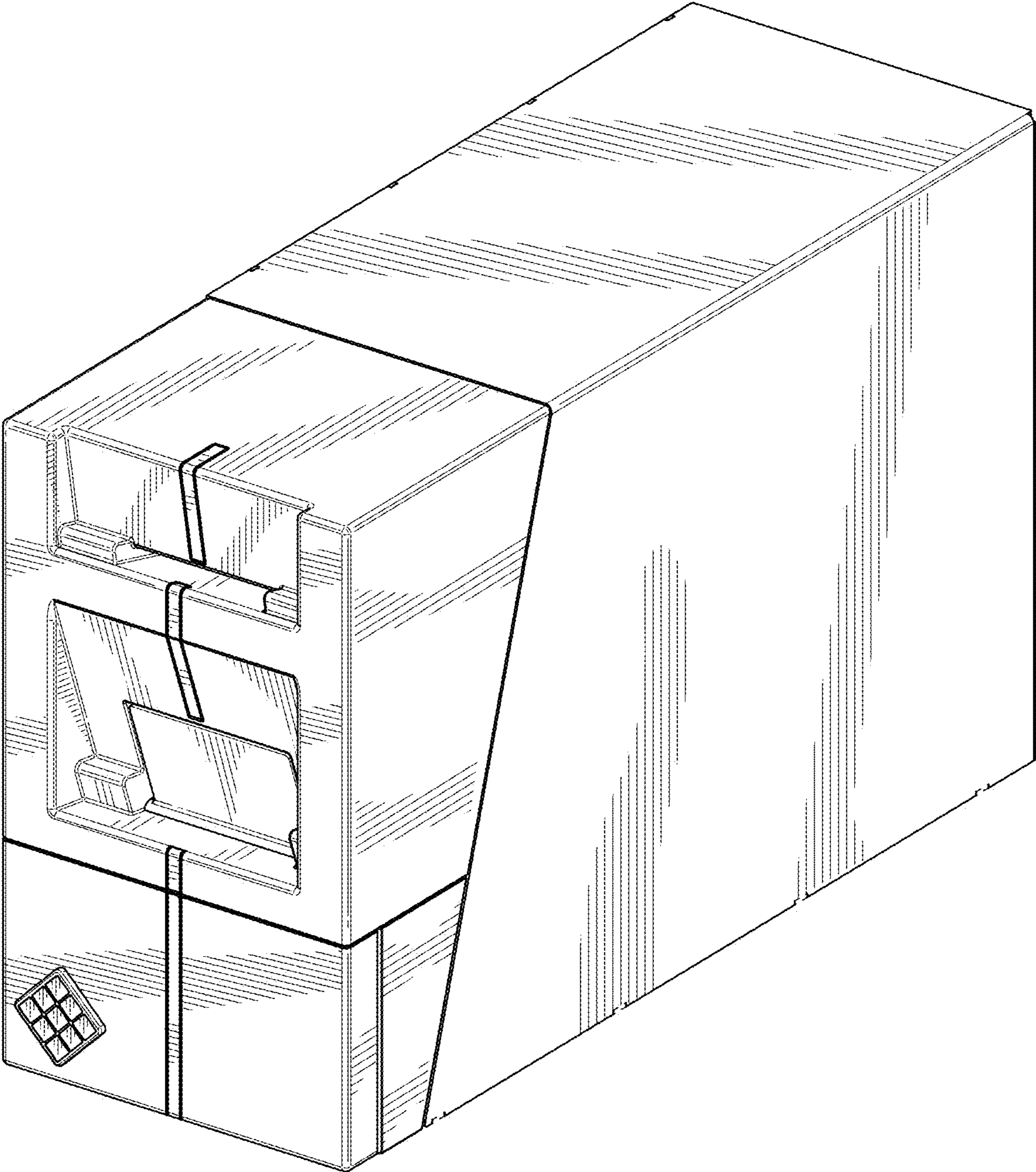


FIG. 1

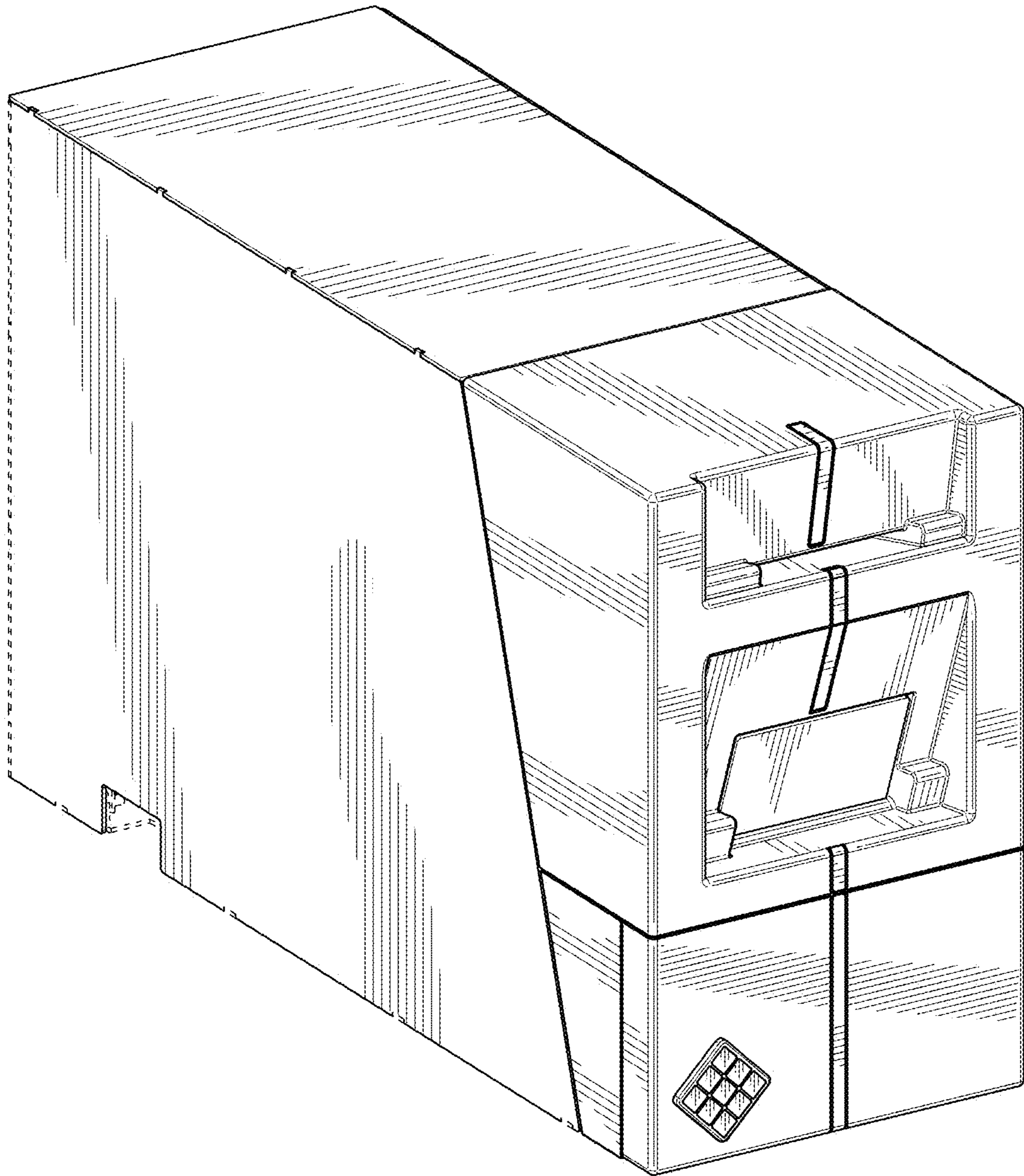


FIG. 2

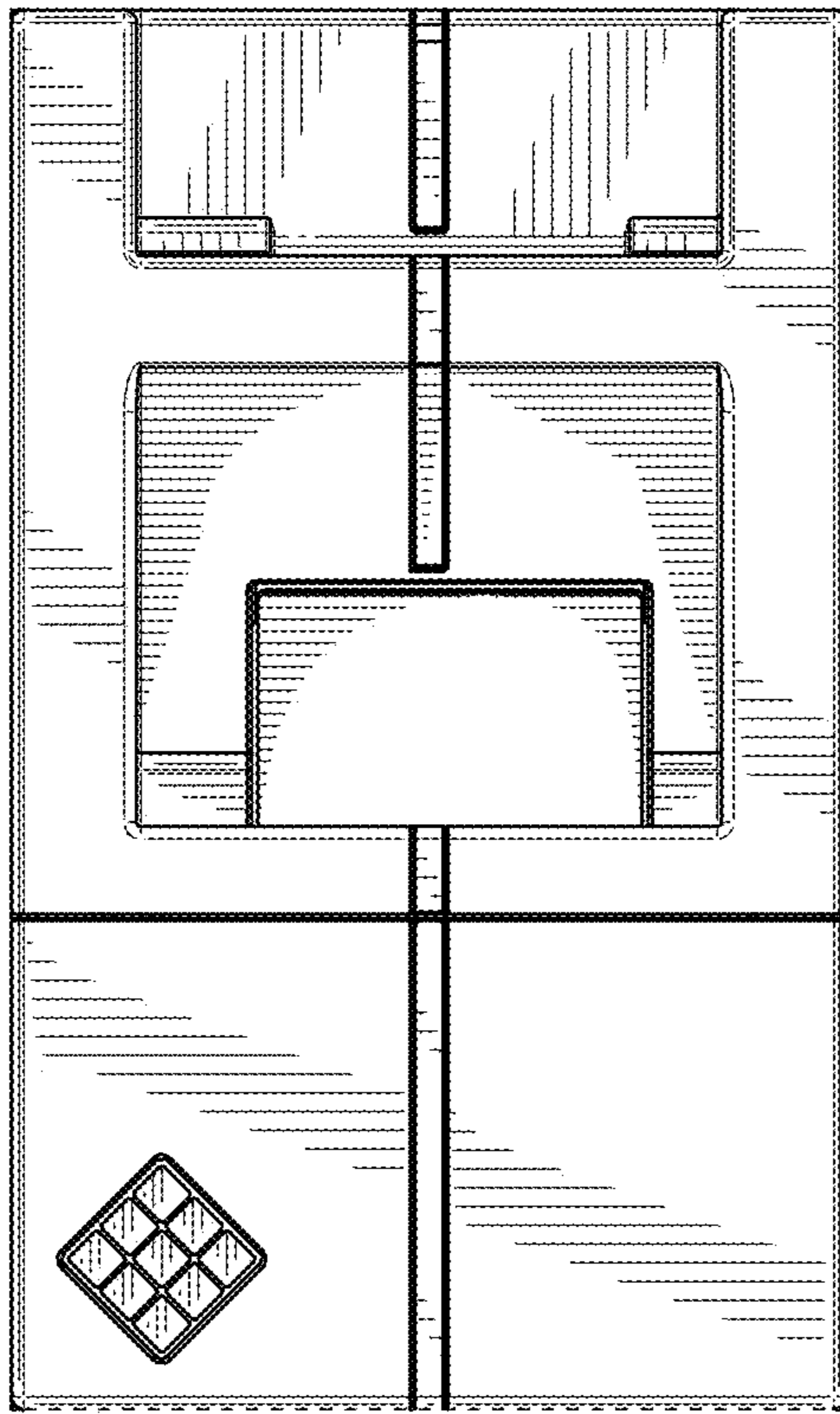


FIG. 3

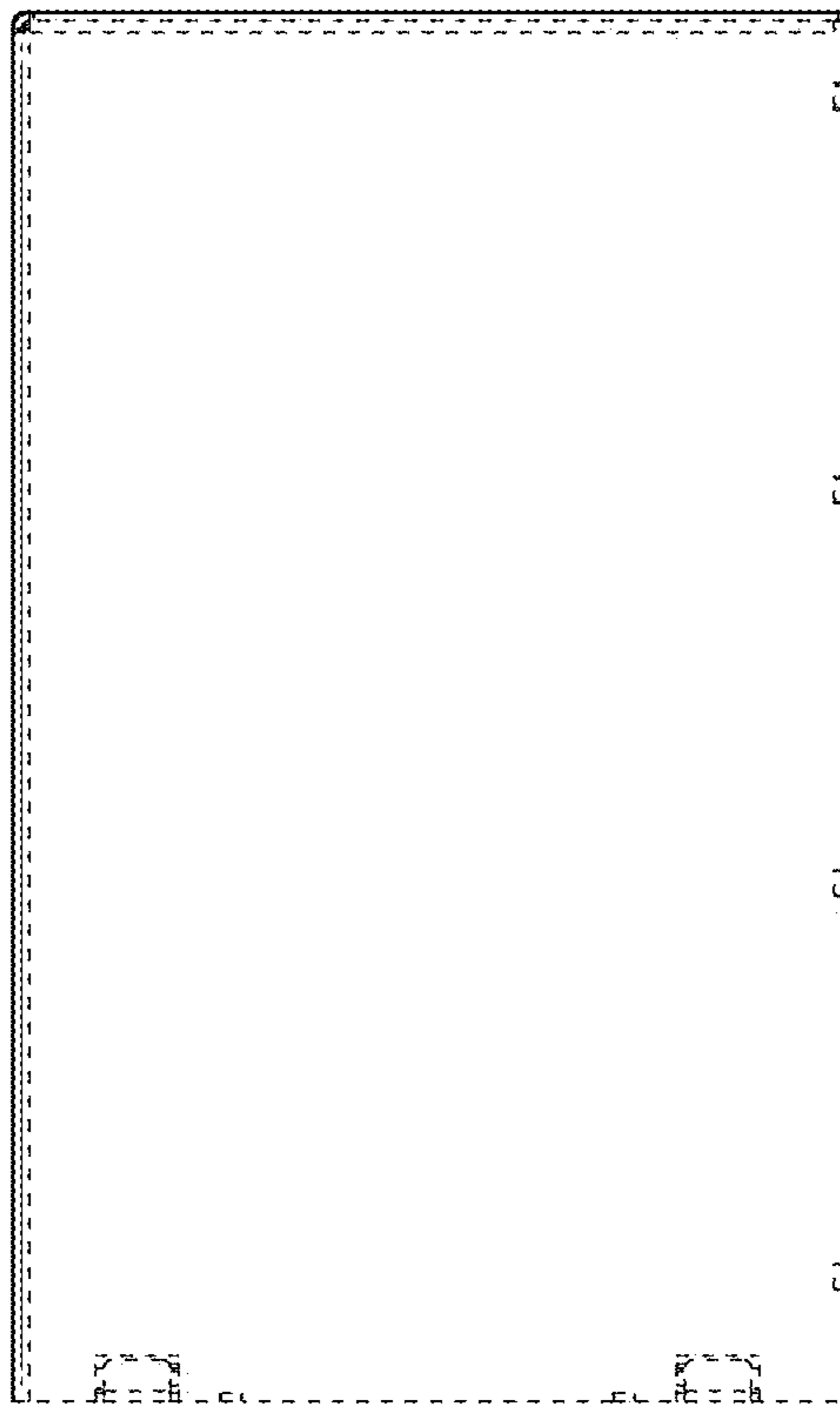


FIG. 4

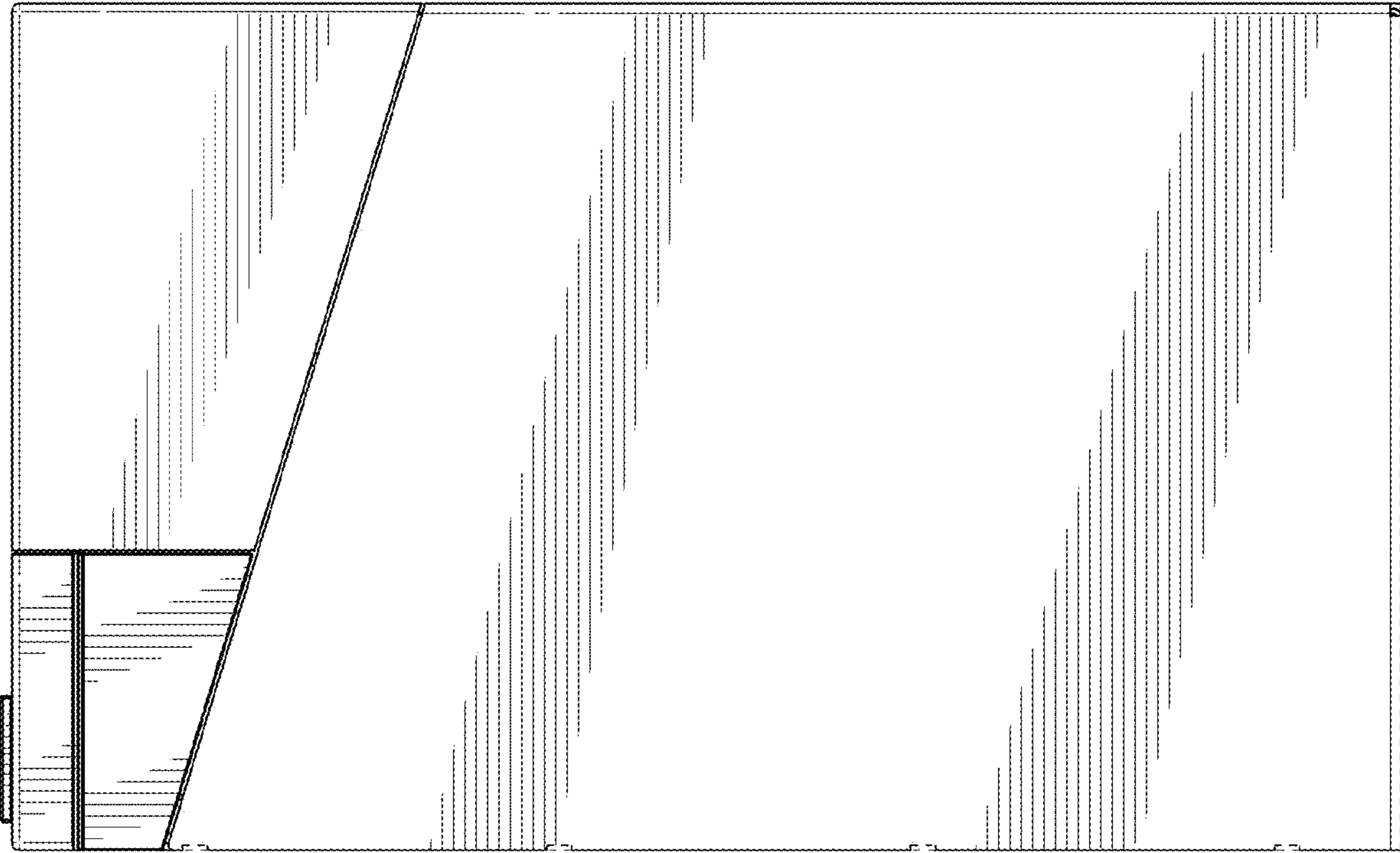


FIG. 5

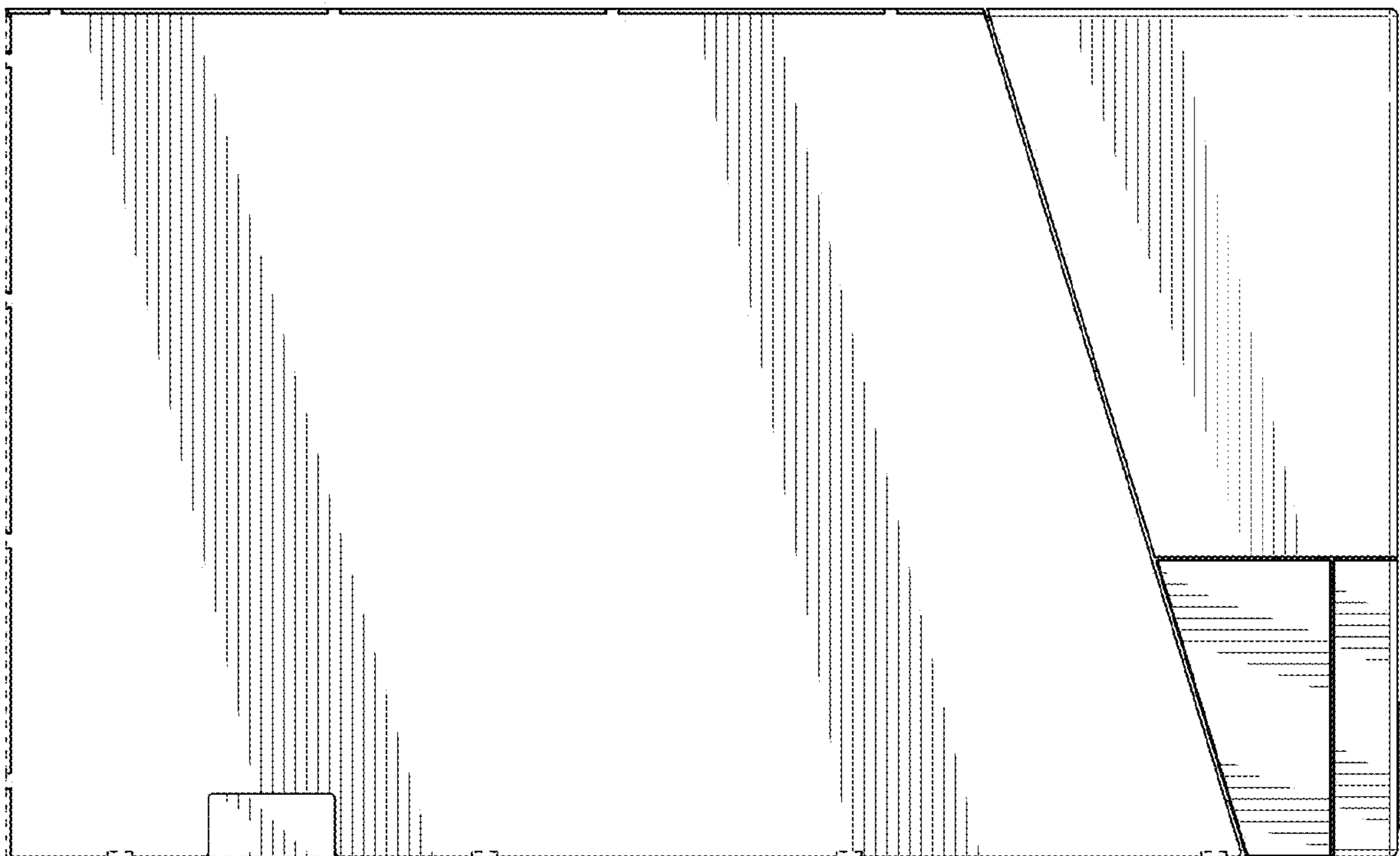


FIG. 6

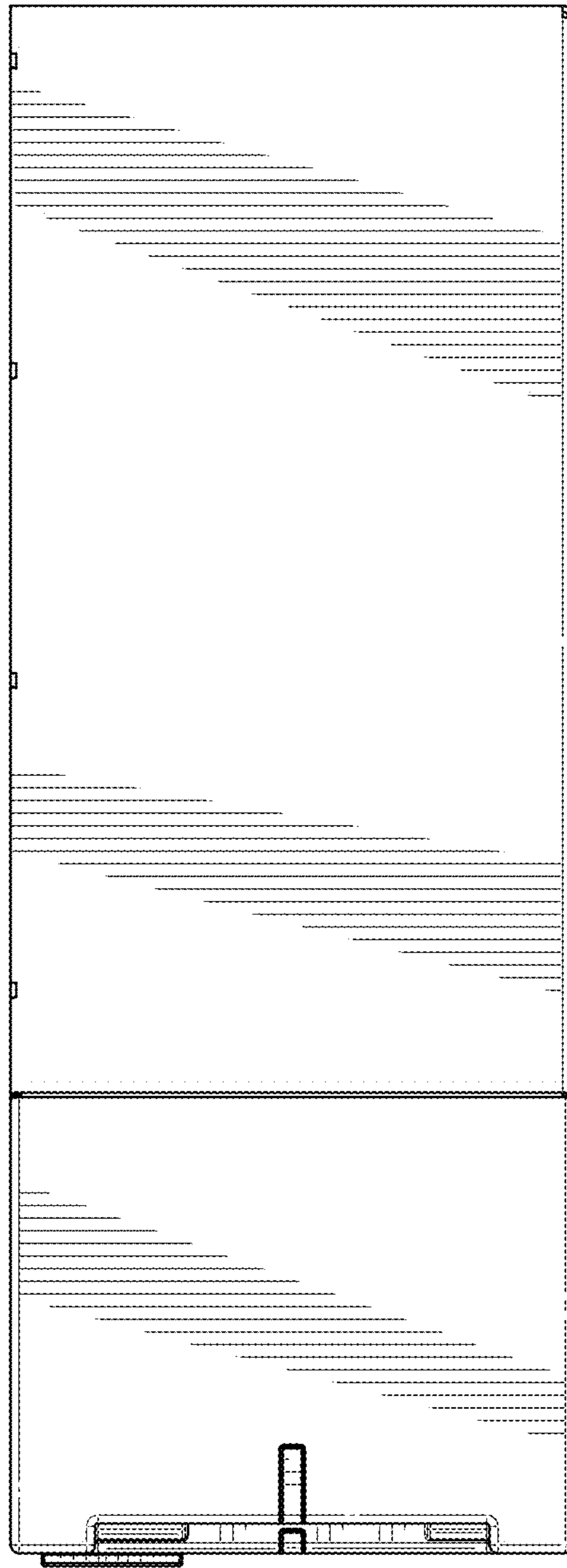


FIG. 7

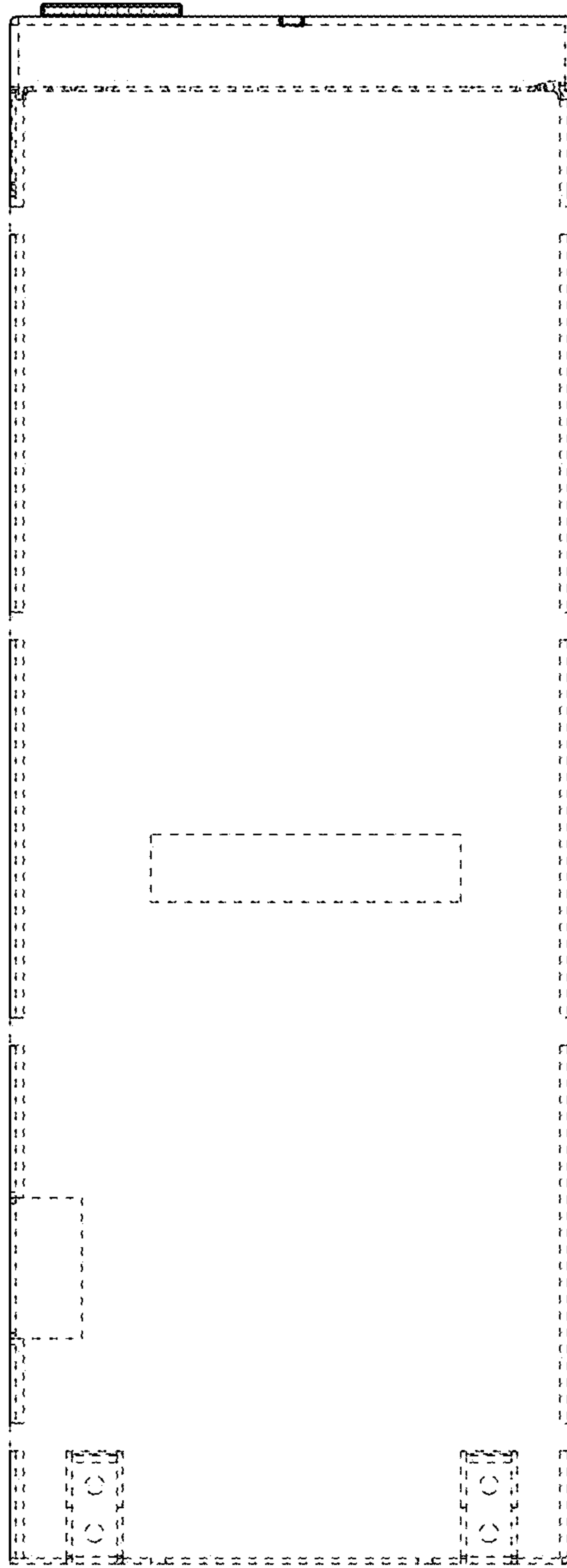


FIG. 8