



US00D941908S

(12) **United States Design Patent**  
**Flynn**

(10) **Patent No.:** **US D941,908 S**

(45) **Date of Patent:** **\*\* Jan. 25, 2022**

(54) **MUSICAL INSTRUMENT SLIDE WITH APERTURE**

(71) Applicant: **Michael Flynn**, Evanston, IL (US)

(72) Inventor: **Michael Flynn**, Evanston, IL (US)

(\*\*) Term: **15 Years**

(21) Appl. No.: **29/704,040**

(22) Filed: **Aug. 30, 2019**

|              |      |         |          |       |           |
|--------------|------|---------|----------|-------|-----------|
| D662,127     | S *  | 6/2012  | Jenkins  | ..... | D17/20    |
| 10,403,245   | B1 * | 9/2019  | Flynn    | ..... | G10D 3/00 |
| D903,754     | S *  | 12/2020 | Flynn    | ..... | D17/20    |
| D903,755     | S *  | 12/2020 | Flynn    | ..... | D17/20    |
| 2012/0210486 | A1 * | 8/2012  | McJunkin | ..... | G10D 3/00 |
|              |      |         |          |       | 2/69      |
| 2020/0126520 | A1 * | 4/2020  | Flynn    | ..... | G10D 3/00 |

\* cited by examiner

*Primary Examiner* — R. Johnson

(74) *Attorney, Agent, or Firm* — Steven M. Shape; Dennemeyer & Associates, LLC

**Related U.S. Application Data**

(63) Continuation of application No. 16/557,282, filed on Aug. 30, 2019, now Pat. No. 10,741,150.

(51) **LOC (13) Cl.** ..... **17-03**

(52) **U.S. Cl.**  
USPC ..... **D17/20**

(58) **Field of Classification Search**  
USPC ..... D17/99, 20  
CPC ..... G10D 3/00; G10D 3/10; G10D 3/166  
See application file for complete search history.

(56) **References Cited**

U.S. PATENT DOCUMENTS

|           |     |        |          |       |           |
|-----------|-----|--------|----------|-------|-----------|
| 3,386,325 | A * | 6/1968 | Smith    | ..... | G10D 3/00 |
|           |     |        |          |       | 84/319    |
| 3,741,065 | A * | 6/1973 | Harris   | ..... | G10D 3/00 |
|           |     |        |          |       | 84/319    |
| 3,822,629 | A * | 7/1974 | Smith    | ..... | G10D 3/00 |
|           |     |        |          |       | 84/319    |
| 5,553,527 | A * | 9/1996 | Harrison | ..... | G10D 3/00 |
|           |     |        |          |       | 205/662   |

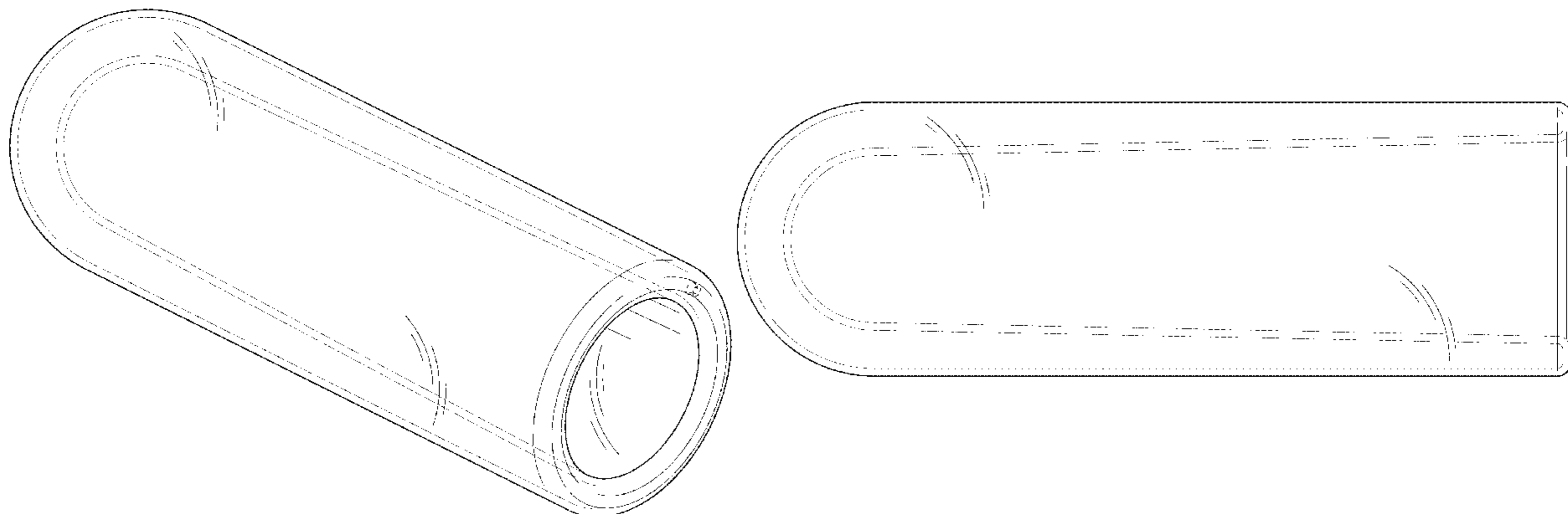
(57) **CLAIM**

The ornamental design for a musical instrument slide with aperture, as shown and described.

**DESCRIPTION**

FIG. 1 is a perspective view of a musical instrument slide with aperture embodying the design. FIG. 2 is a front elevational view thereof, the rear elevational view being the mirror image thereof. FIG. 3 is a right side elevational view thereof. FIG. 4 is a left side elevational view thereof. FIG. 5 is a top plan view thereof. FIG. 6 is a bottom plan view thereof; and, FIG. 7 is cross-sectional view along the line 7-7 of FIG. 6; the broken lines indicate the presence of a liquid within the musical instrument slide with aperture.

**1 Claim, 6 Drawing Sheets**



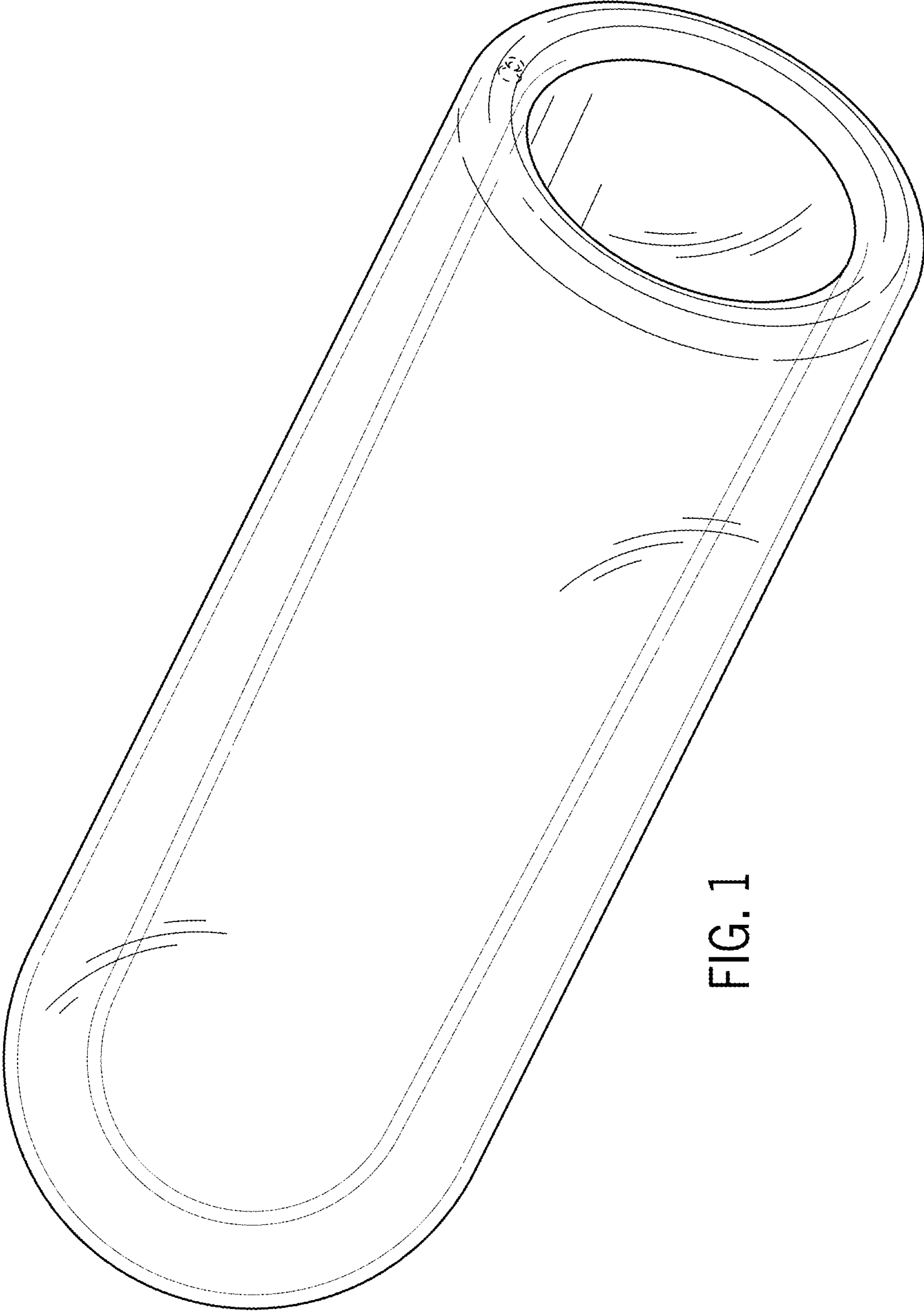


FIG. 1

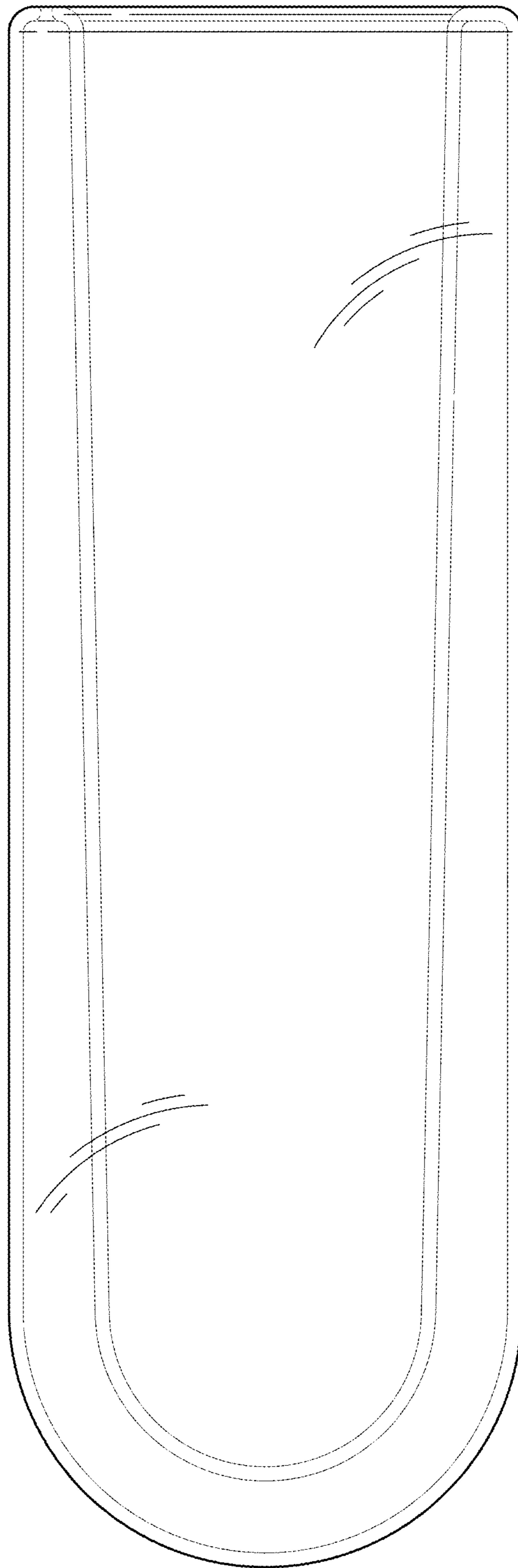


FIG. 2

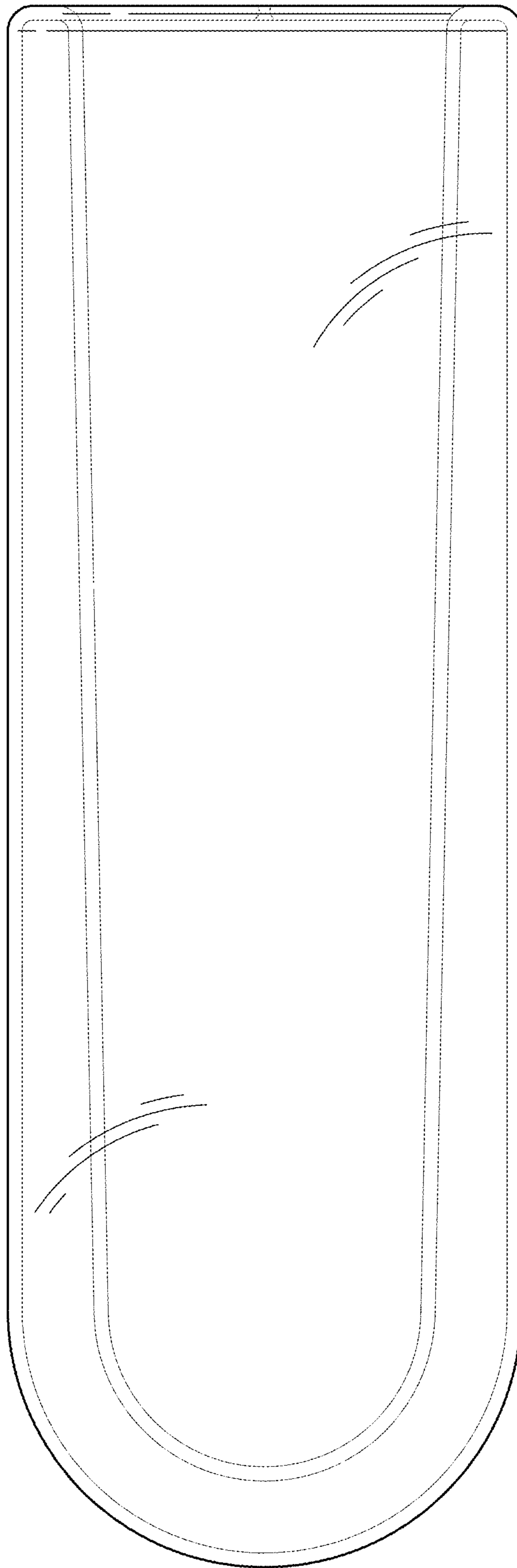


FIG. 3

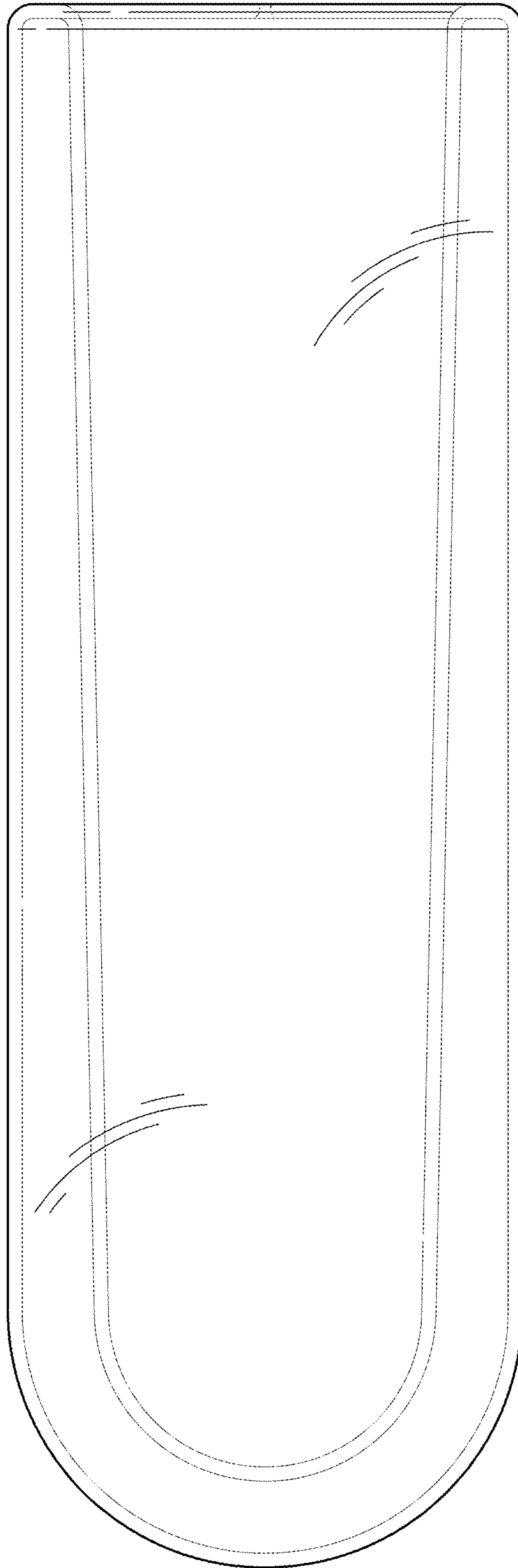


FIG. 4

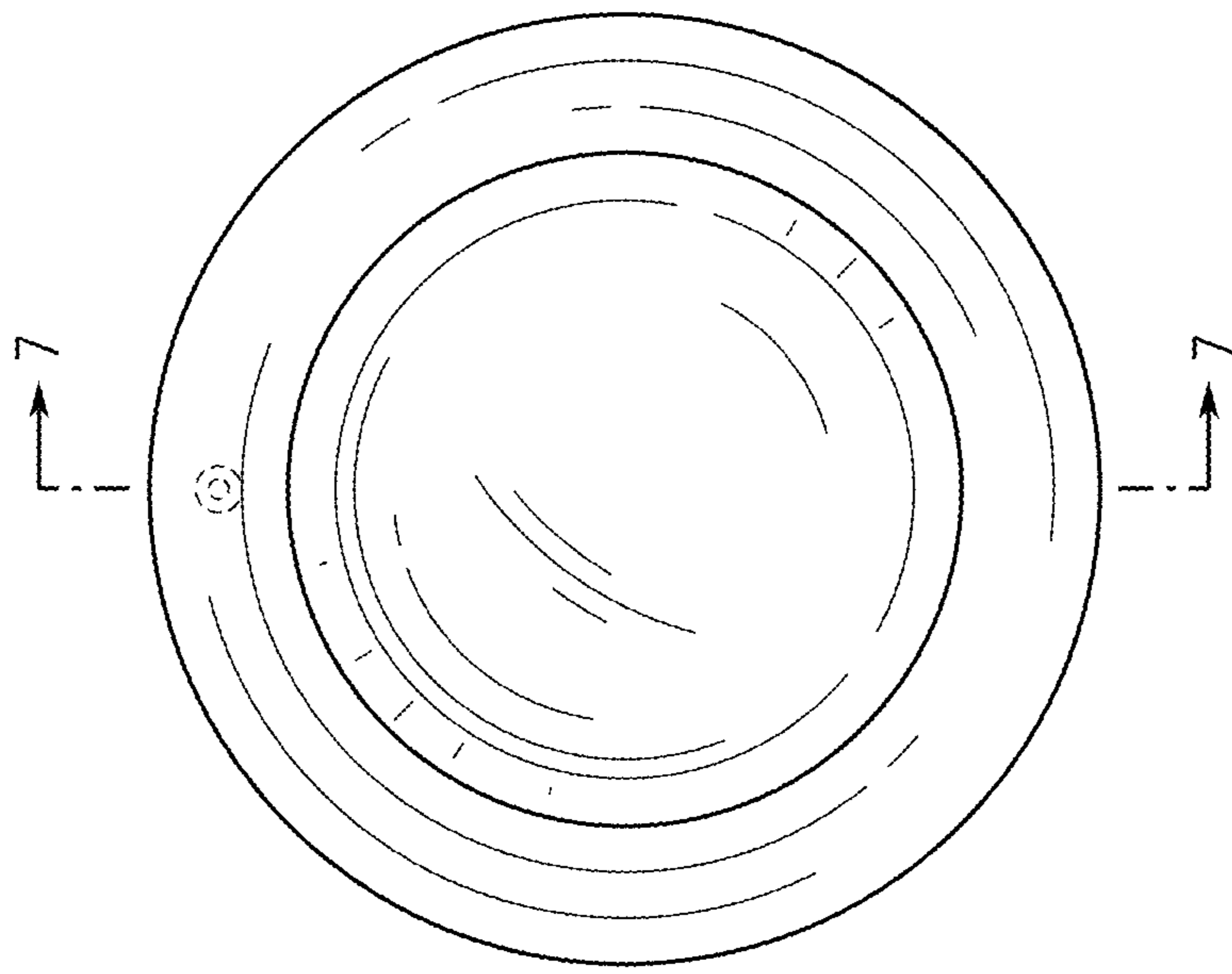


FIG. 6

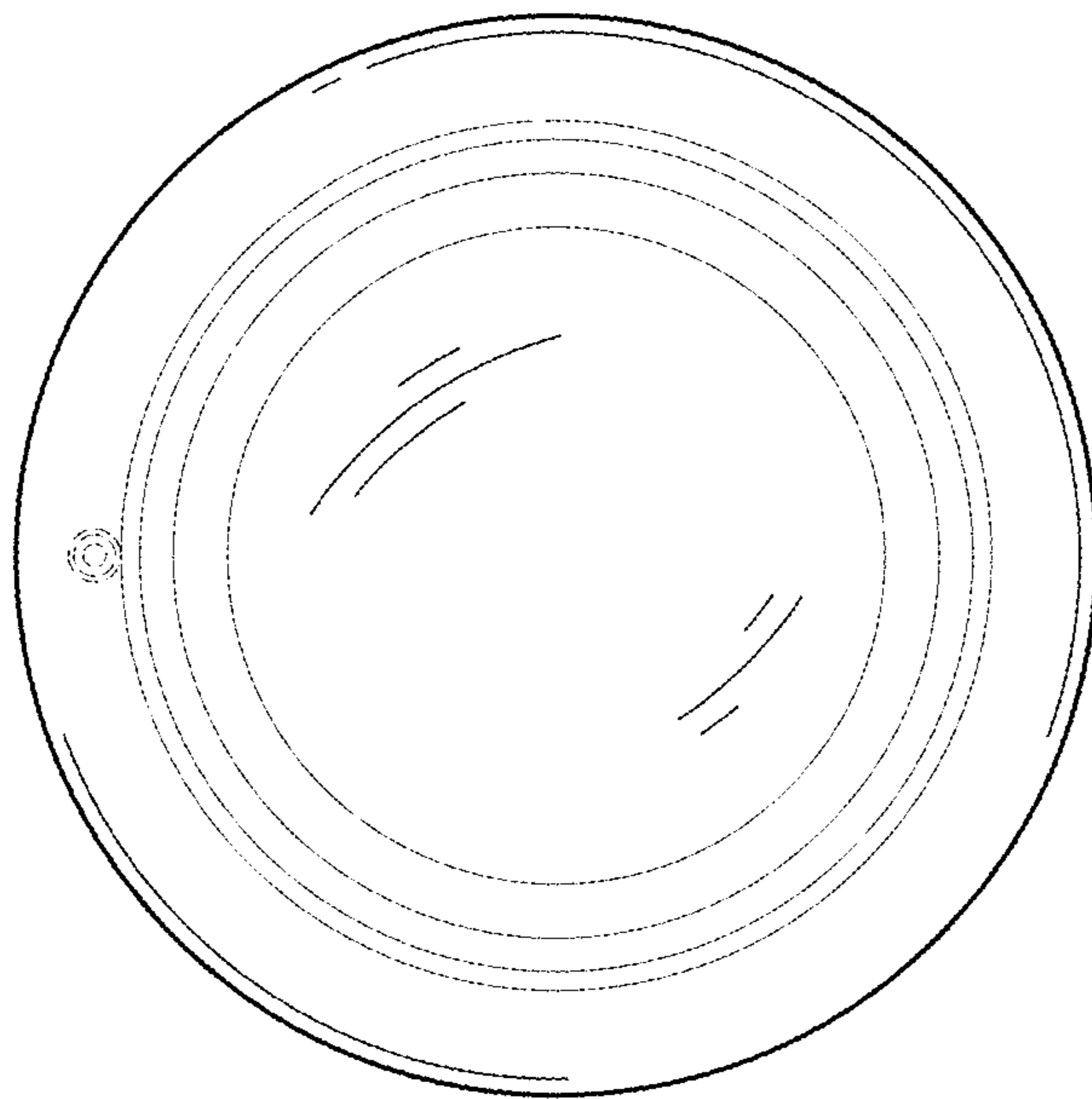


FIG. 5

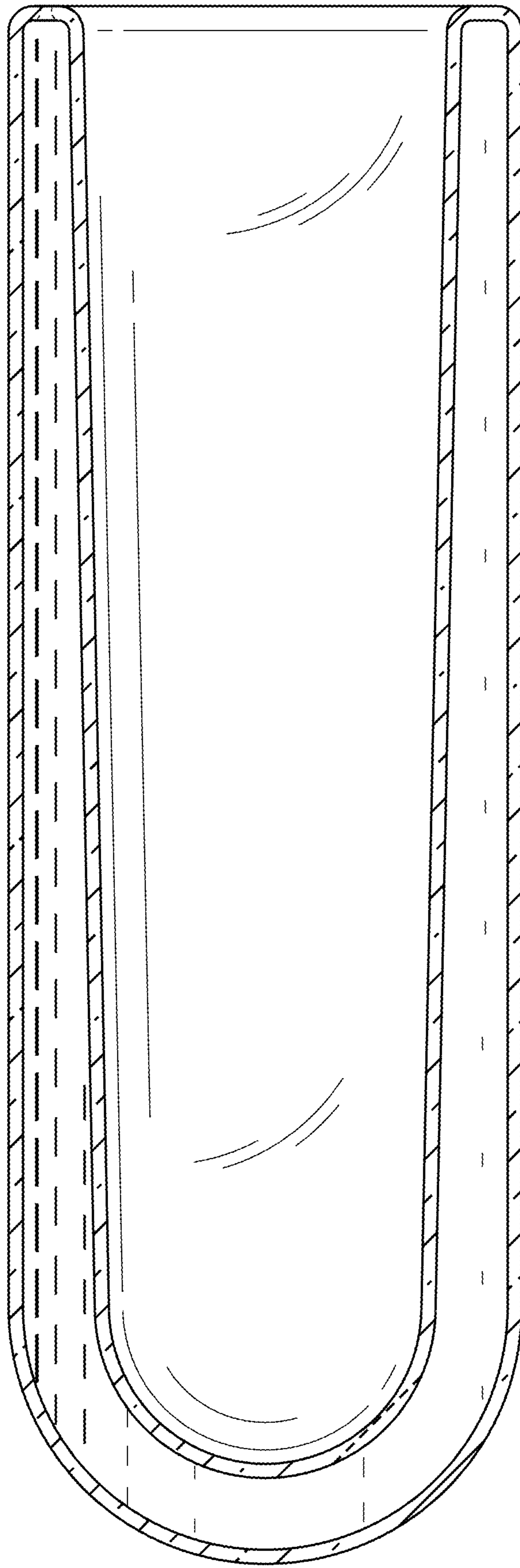


FIG. 7