



US00D941905S

(12) **United States Design Patent**
Tsai et al.

(10) **Patent No.:** **US D941,905 S**
(45) **Date of Patent:** **** Jan. 25, 2022**

(54) **PROJECTOR**

(71) Applicant: **ViewSonic International Corporation,**
New Taipei (TW)
(72) Inventors: **Jia-Shin Tsai,** New Taipei (TW);
Kun-Tsang Yang, New Taipei (TW);
Shun-Chang Chen, New Taipei (TW)
(73) Assignee: **ViewSonic International Corporation,**
New Taipei (TW)

(**) Term: **15 Years**

(21) Appl. No.: **29/710,875**

(22) Filed: **Oct. 28, 2019**

(51) **LOC (13) Cl.** **16-02**

(52) **U.S. Cl.**

USPC **D16/229;** D16/225

(58) **Field of Classification Search**

USPC D16/221, 225, 229–231, 234; D21/514

CPC G03B 21/145; G03B 21/14; G03B 21/16;

G03B 21/00; G03B 21/001; G03B

21/003; G03B 21/12

See application file for complete search history.

(56) **References Cited**

U.S. PATENT DOCUMENTS

D185,994 S *	8/1959	Lanigan	D16/234
D204,032 S *	3/1966	Herbst et al.	D16/234
D605,682 S *	12/2009	Messner	D16/225
D616,911 S *	6/2010	Tompkin	D16/225
D635,175 S *	3/2011	Tompkin	D16/235
8,061,858 B2 *	11/2011	Belliveau	G03B 21/145
				353/119
8,955,979 B2 *	2/2015	Velazquez	G03B 21/14
				353/31
9,405,176 B2 *	8/2016	Kinebuchi	G03B 21/16
D774,586 S	12/2016	Yamamoto et al.		
10,191,358 B2 *	1/2019	Jorgensen	G03B 21/145
D863,408 S	10/2019	Zheng		

(Continued)

FOREIGN PATENT DOCUMENTS

CN 304665396 * 12/2017
TW D146495 4/2012

(Continued)

OTHER PUBLICATIONS

“Office Action of Taiwan Counterpart Application”, dated Apr. 23, 2020, p. 1-p. 3.

Primary Examiner — Wan Laymon

(74) *Attorney, Agent, or Firm* — JCIPRNET

(57) **CLAIM**

The ornamental design for a projector, as shown and described.

DESCRIPTION

FIG. 1 is a perspective view of a projector showing our new design;

FIG. 2 is another perspective view thereof;

FIG. 3 is a front view thereof;

FIG. 4 is a rear view thereof;

FIG. 5 is a left side view thereof;

FIG. 6 is a right side view thereof;

FIG. 7 is a top view thereof;

FIG. 8 is a bottom view thereof;

FIG. 9 is a perspective view thereof in a folded state;

FIG. 10 is another perspective view thereof in a folded state;

FIG. 11 is a front view thereof in a folded state;

FIG. 12 is a rear view thereof in a folded state;

FIG. 13 is a left side view thereof in a folded state;

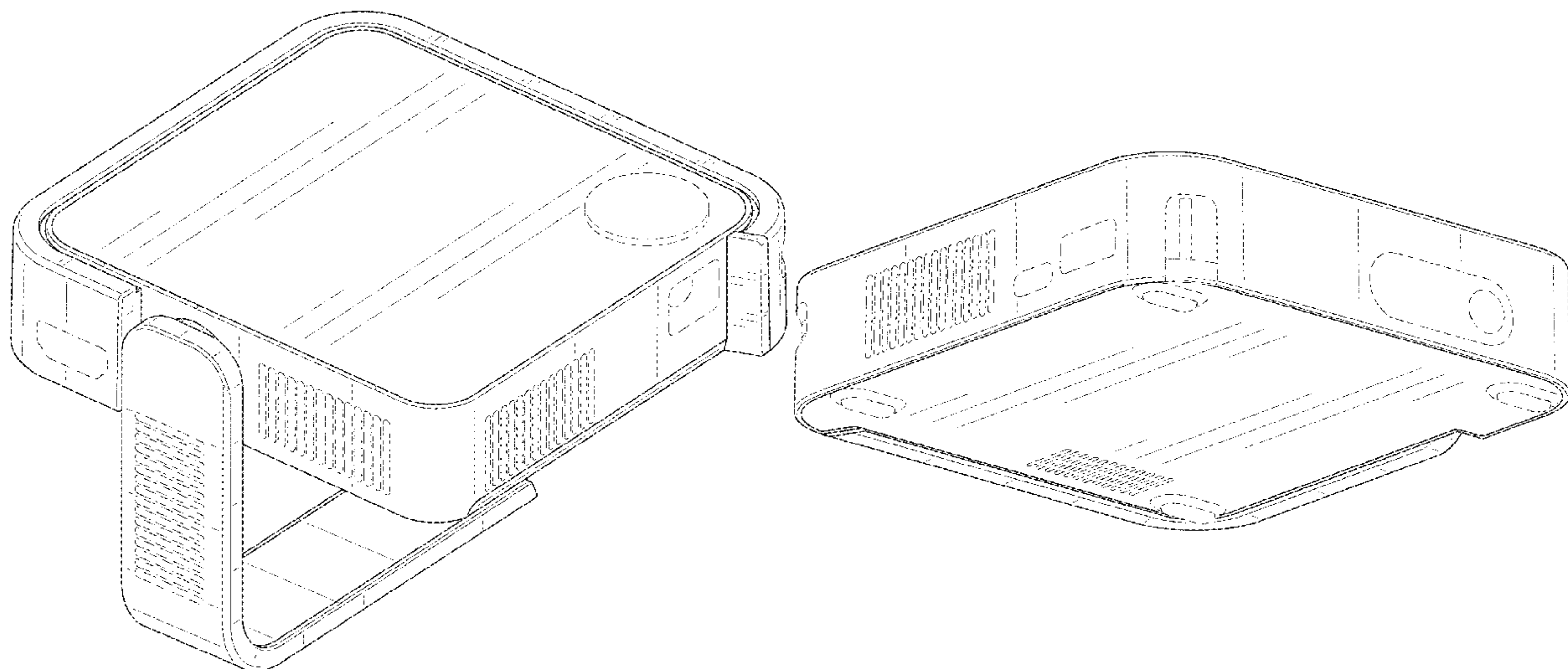
FIG. 14 is a right side view thereof in a folded state;

FIG. 15 is a top view thereof in a folded state; and,

FIG. 16 is a bottom view thereof in a folded state.

The broken lines illustrate portions of the projector that form no part of the claimed design.

1 Claim, 11 Drawing Sheets



(56)

References Cited

U.S. PATENT DOCUMENTS

D878,451 S * 3/2020 Pigno D16/229
2018/0084921 A1* 3/2018 Huang G03B 21/145

FOREIGN PATENT DOCUMENTS

TW D170662 9/2015
TW D199329 8/2019

* cited by examiner

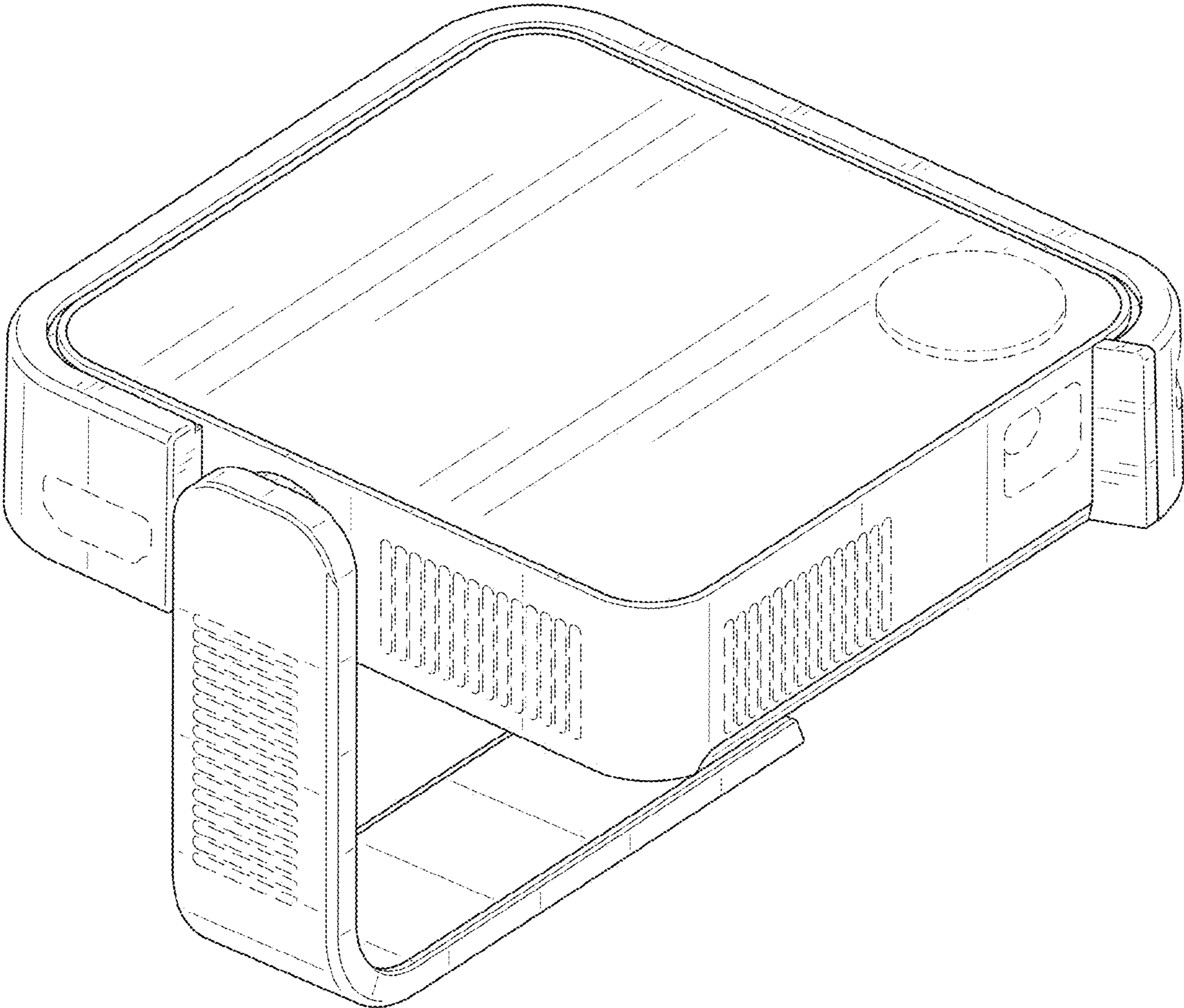


FIG. 1

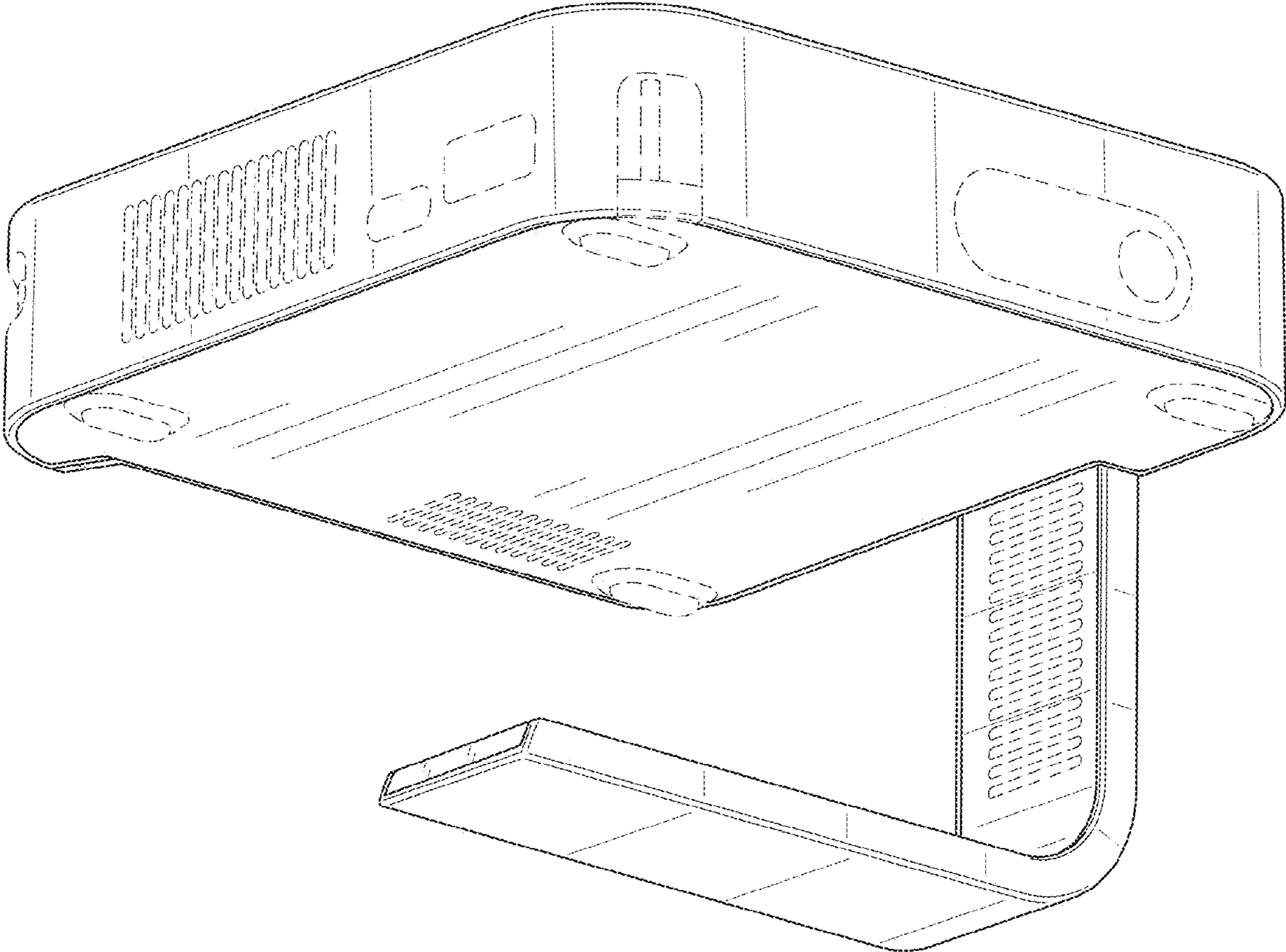


FIG. 2

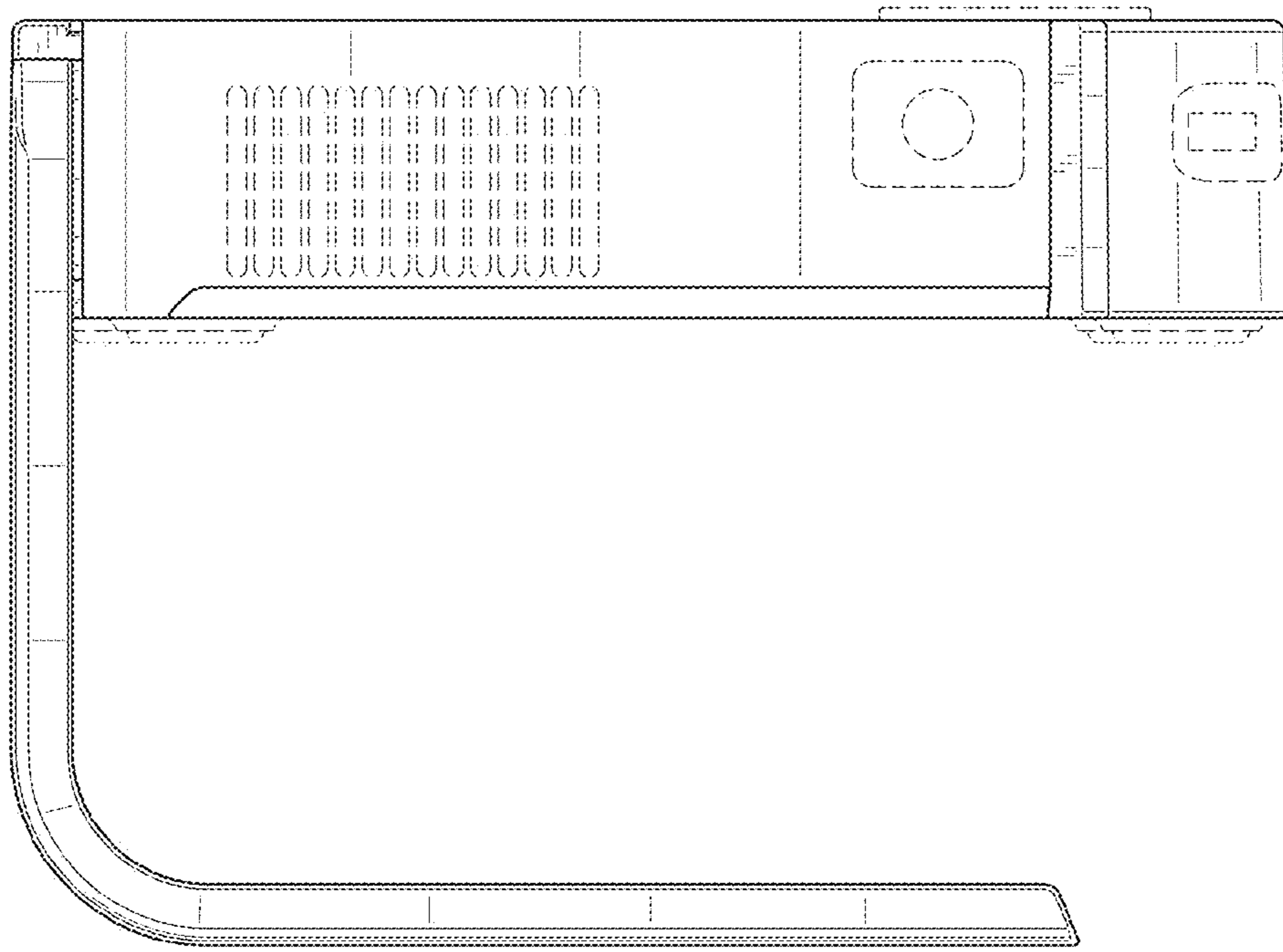


FIG. 3

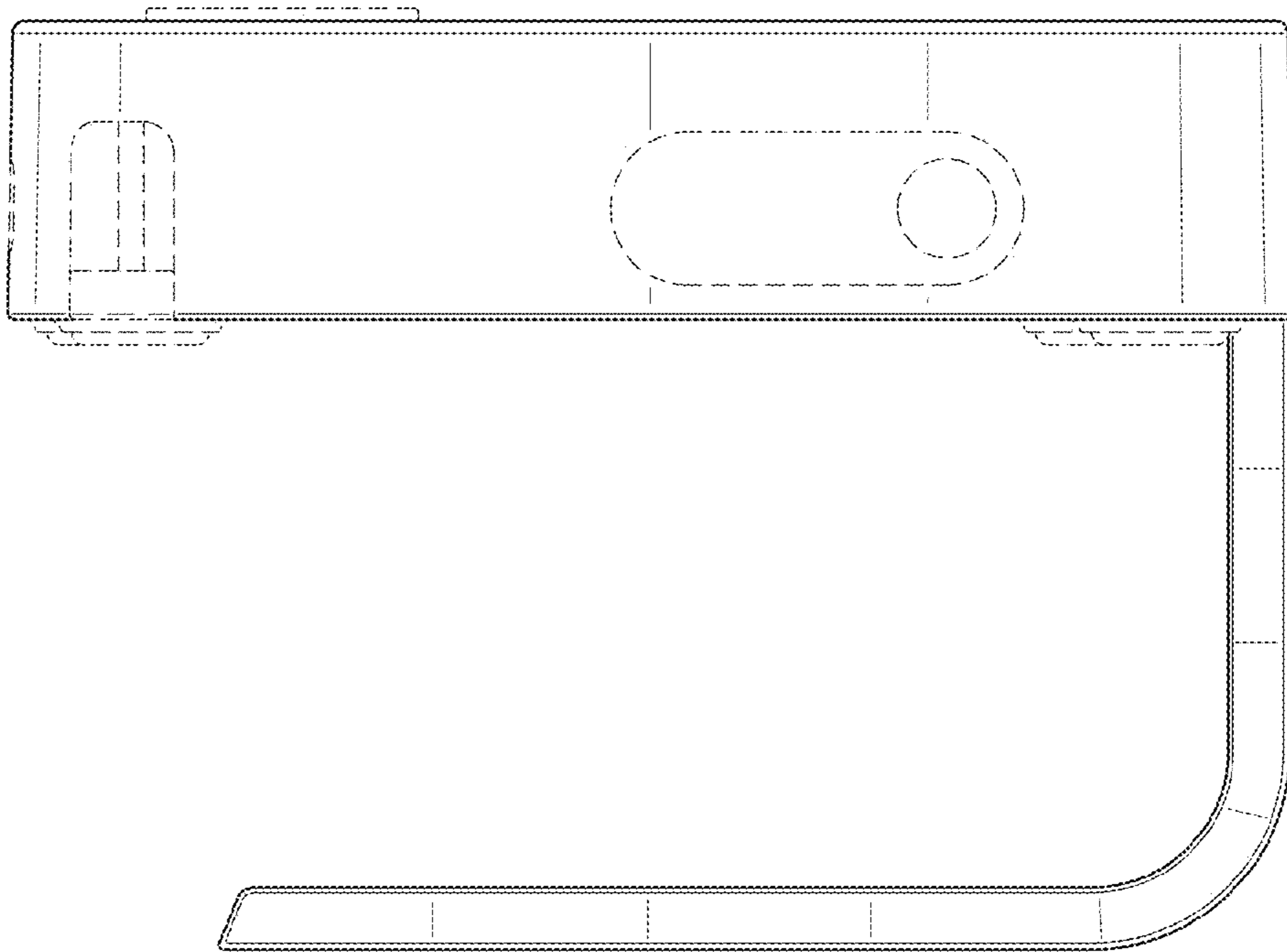


FIG. 4

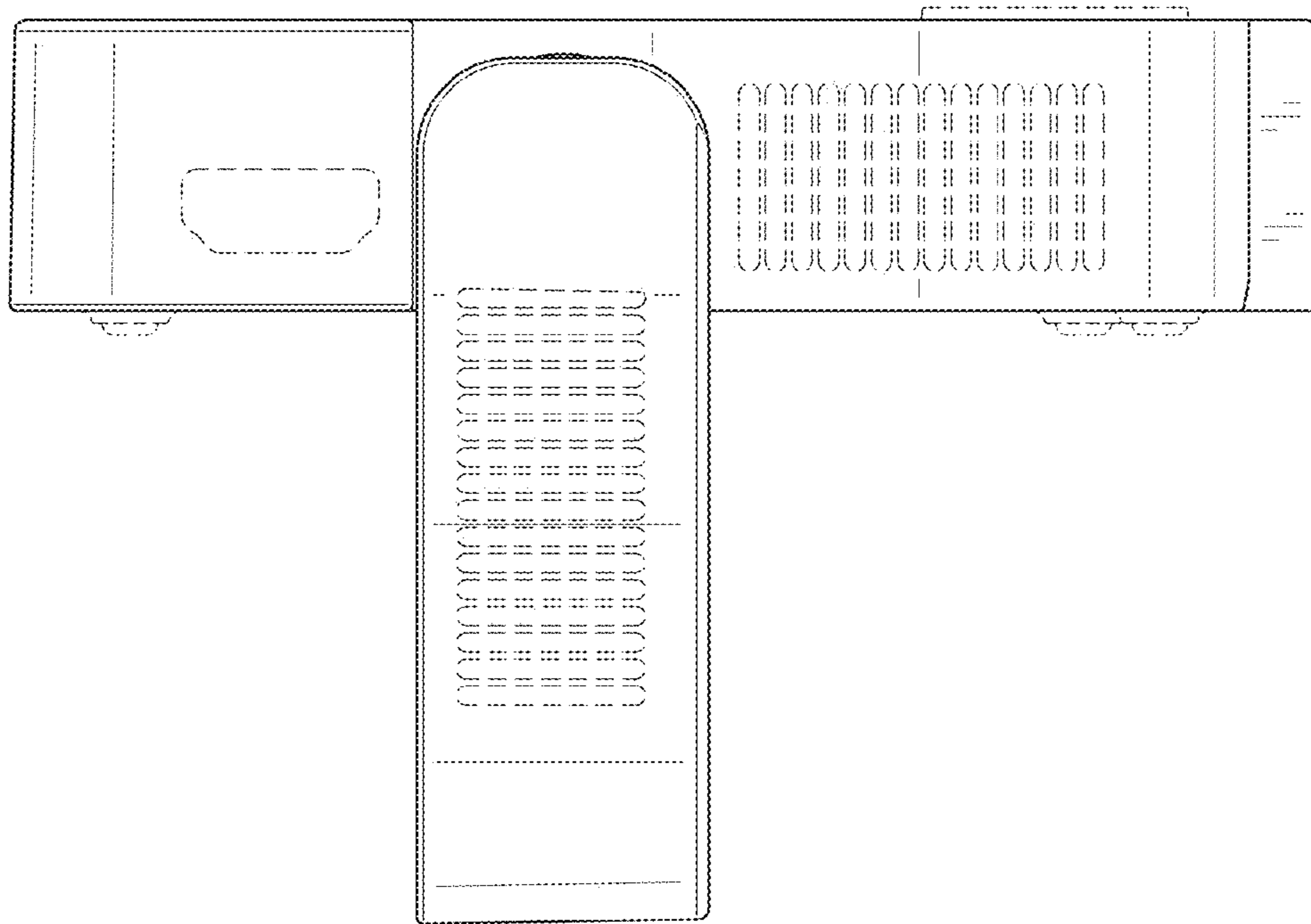


FIG. 5

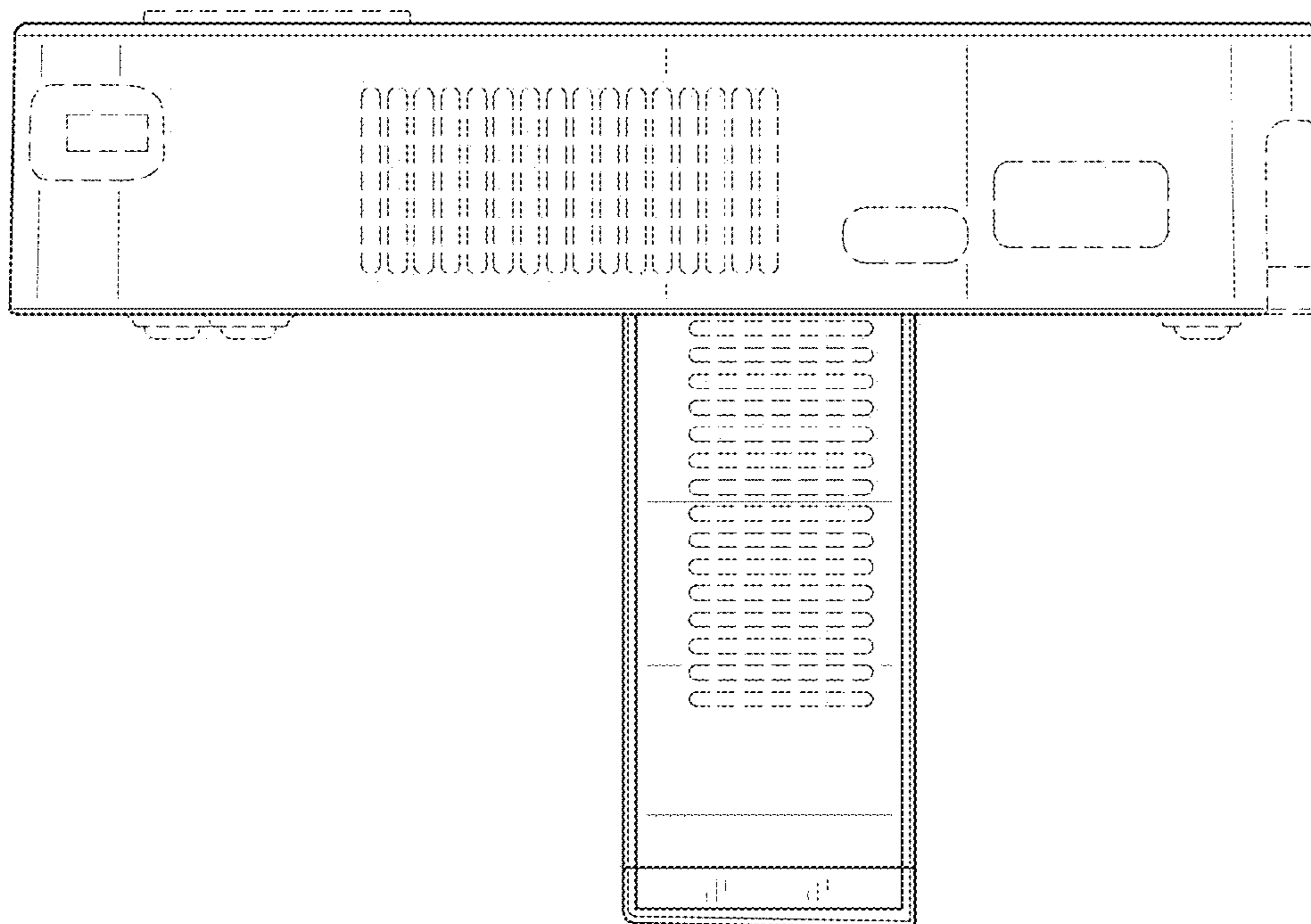


FIG. 6

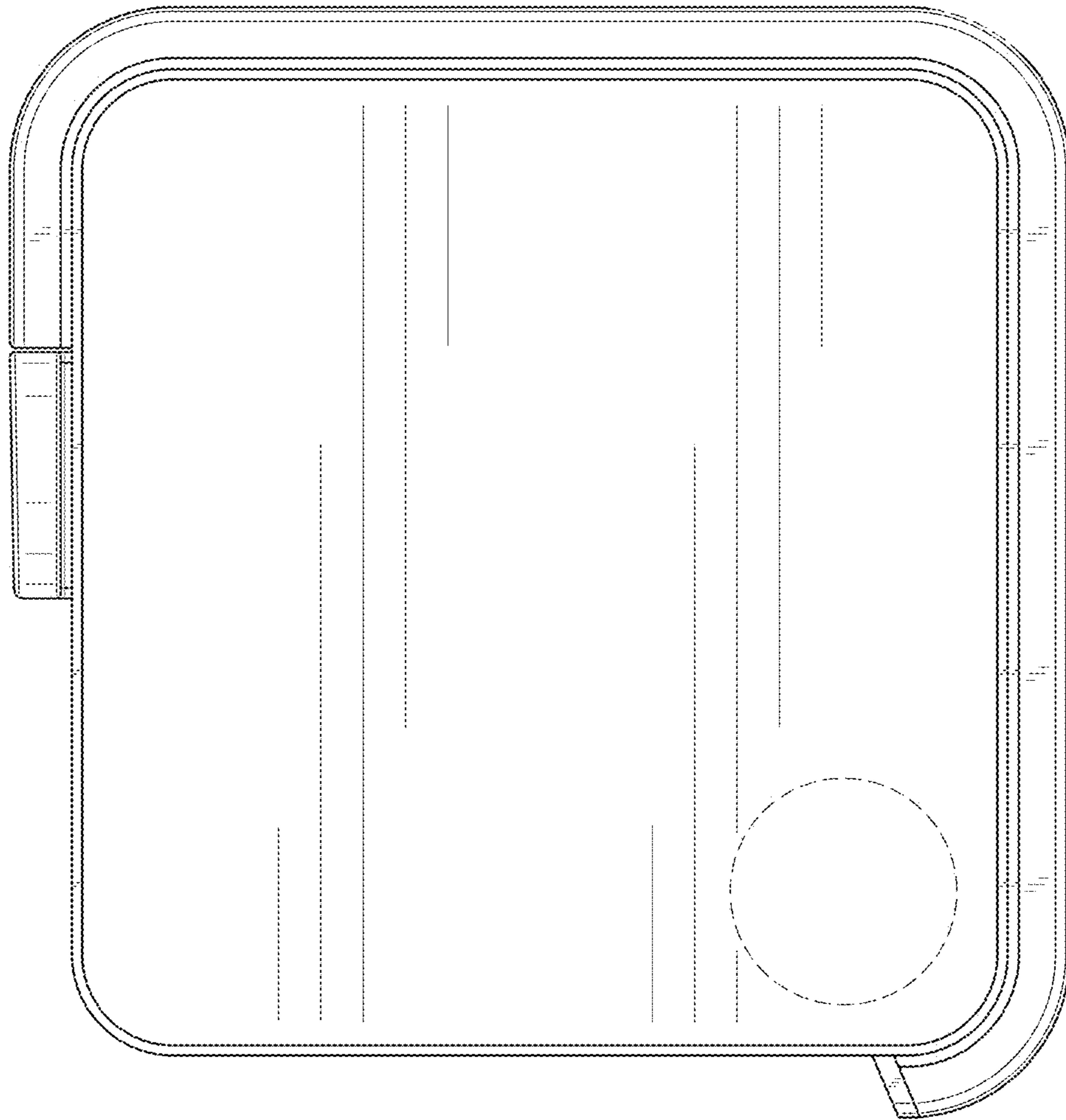


FIG. 7

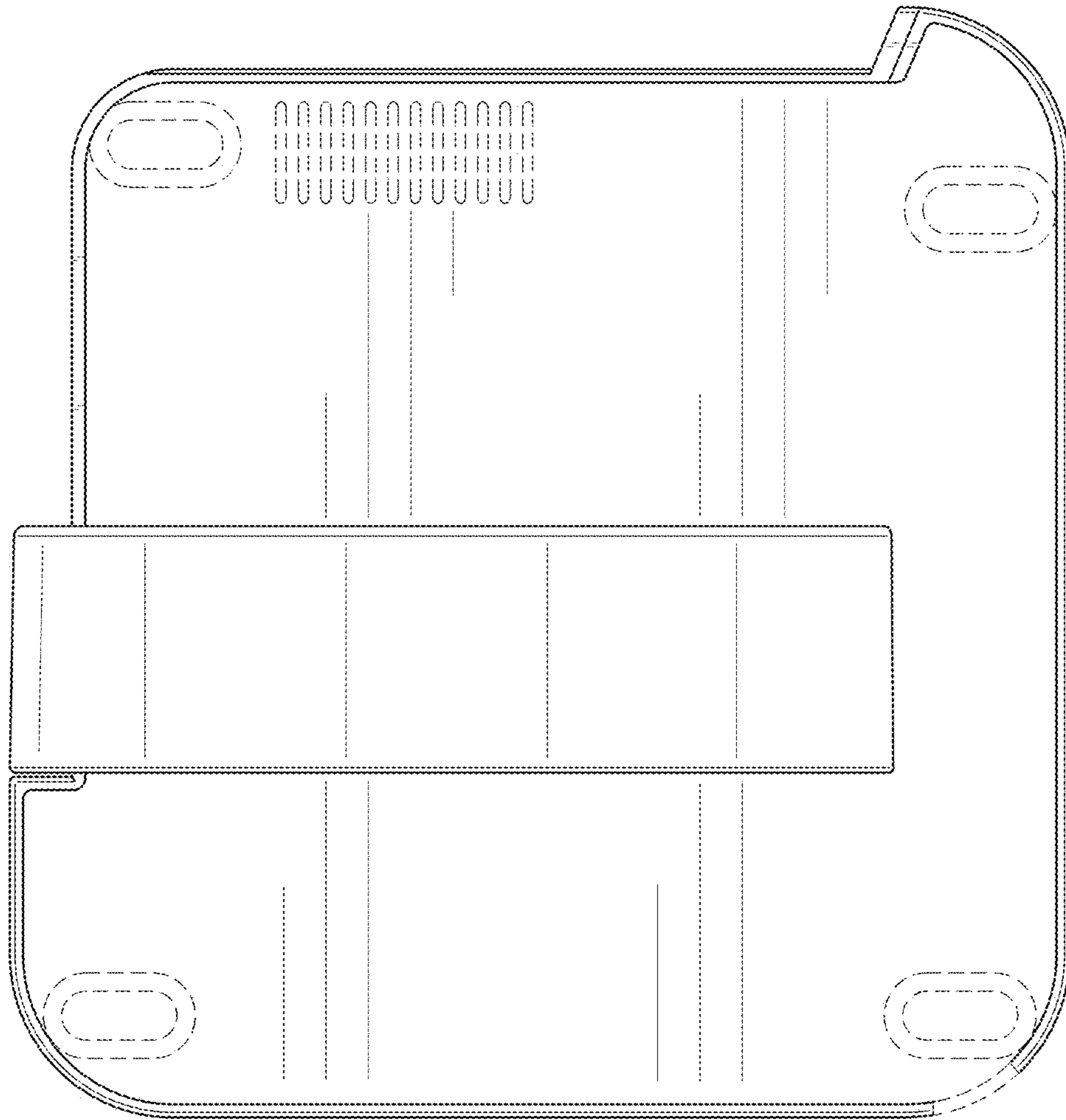


FIG. 8

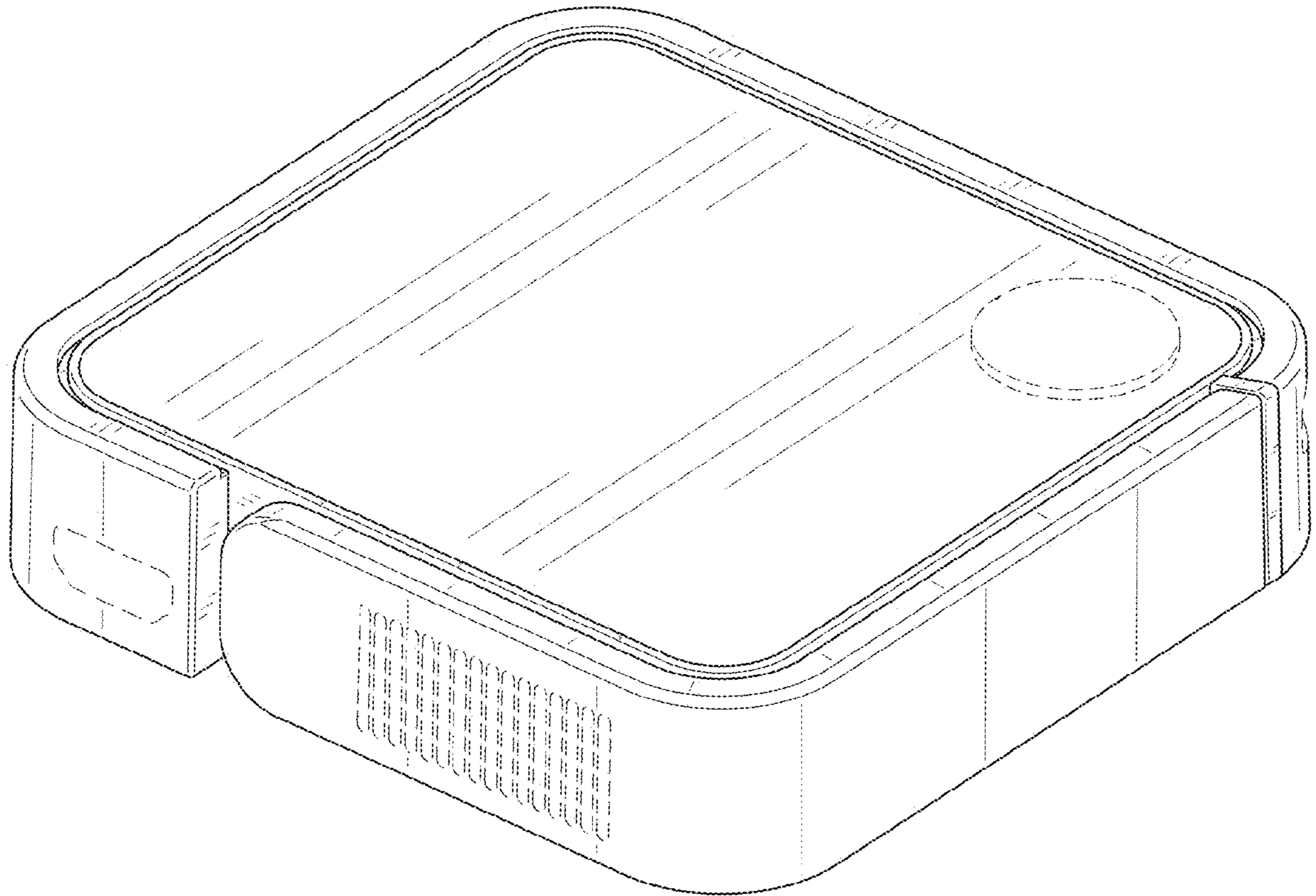


FIG. 9

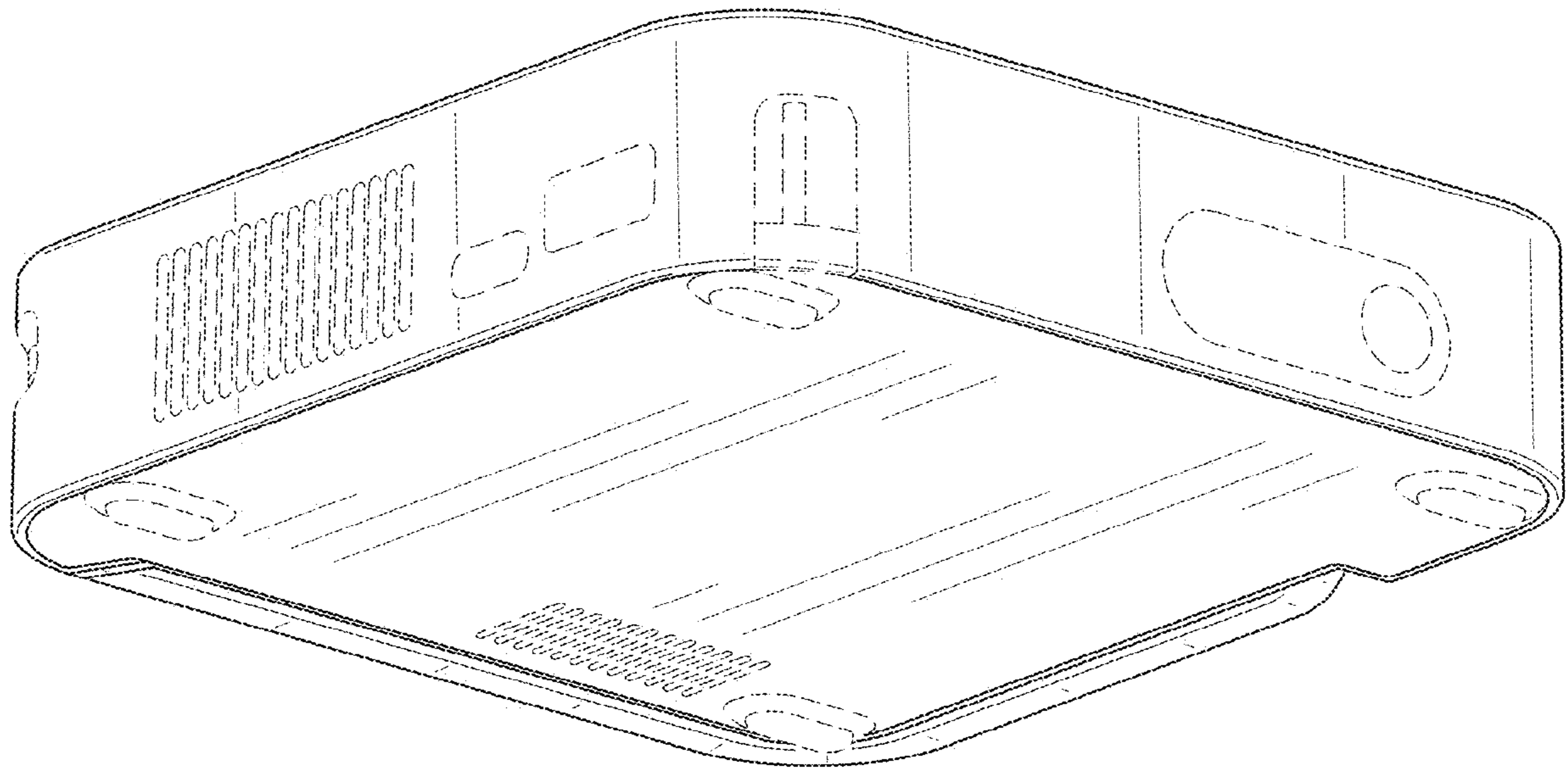


FIG. 10

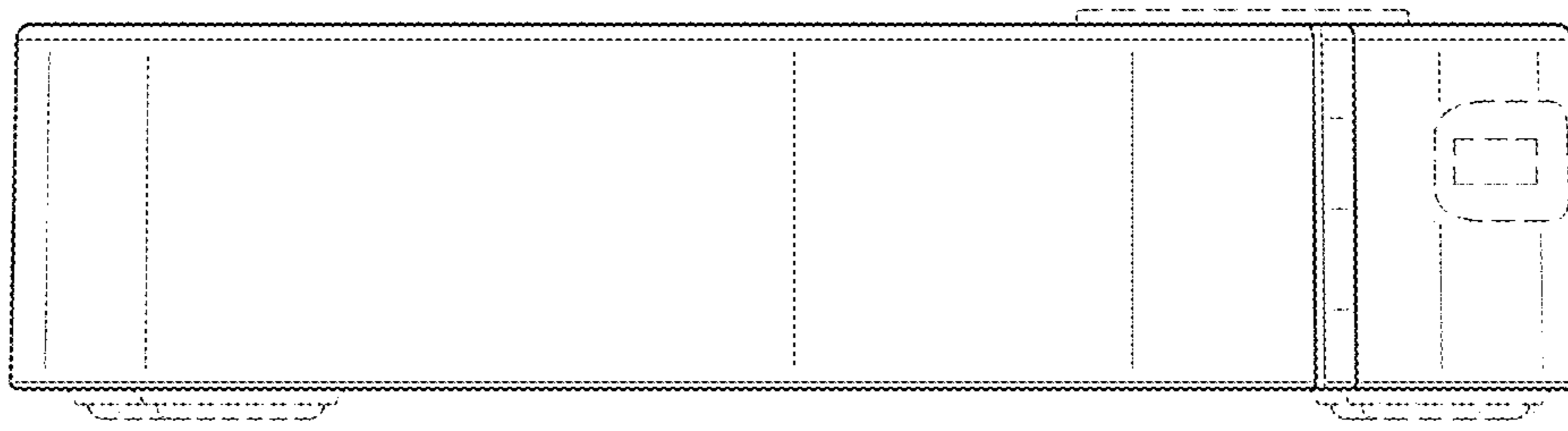


FIG. 11

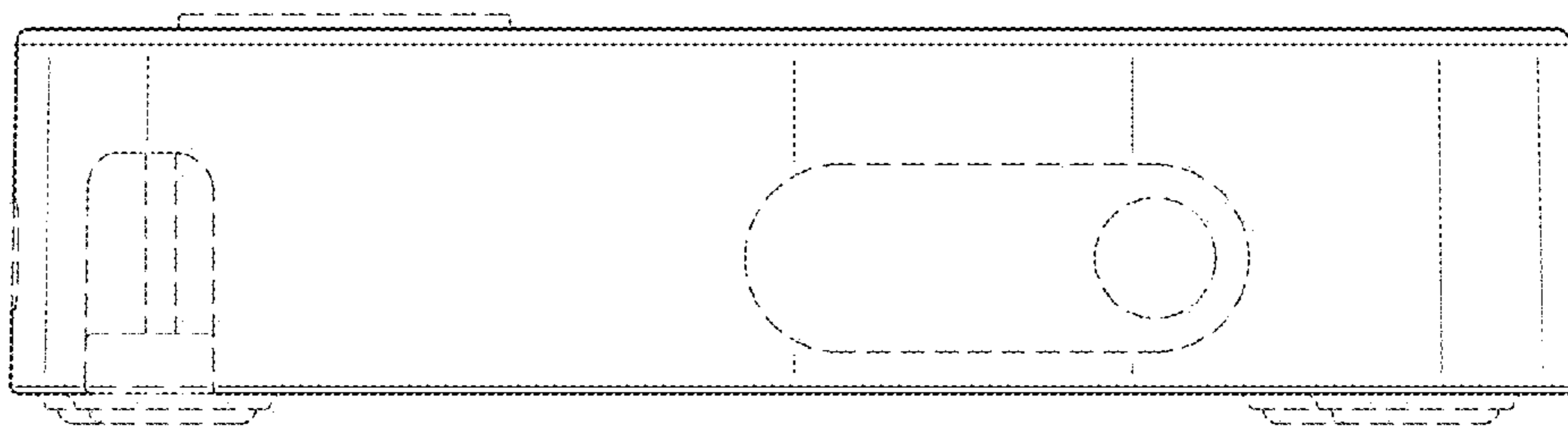


FIG. 12

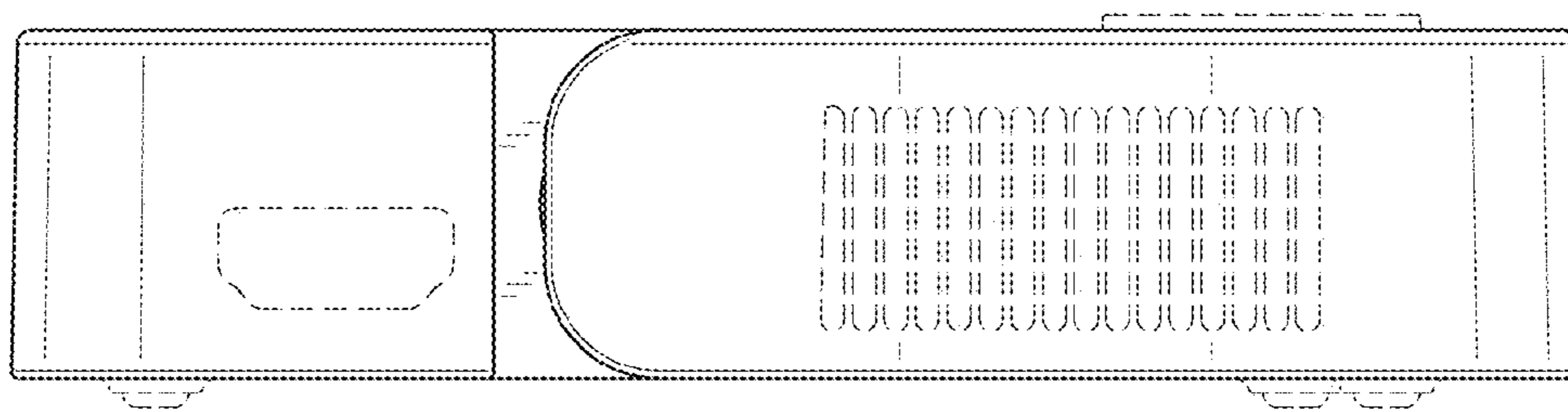


FIG. 13

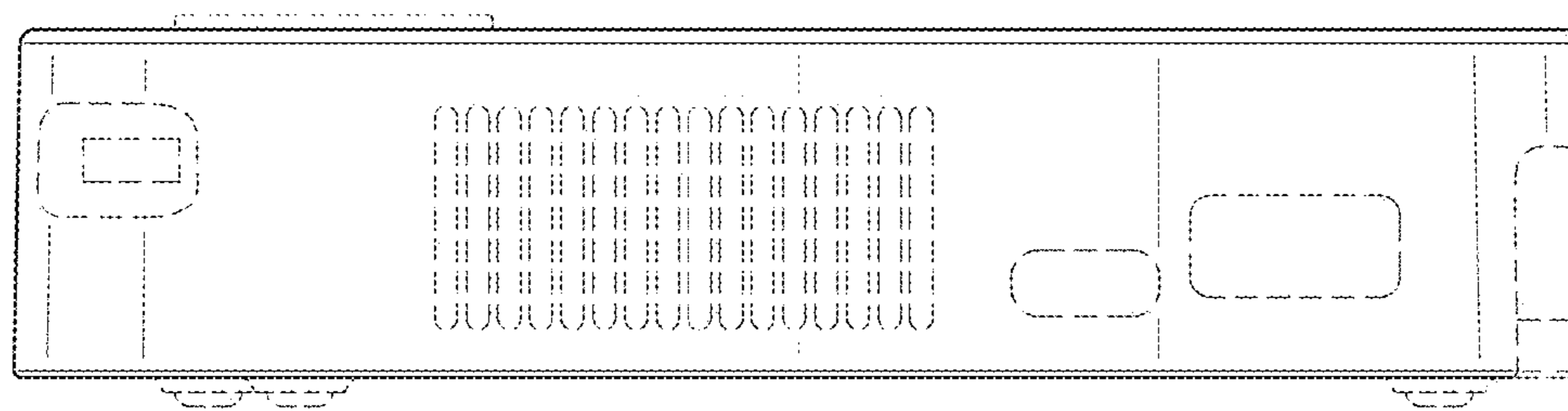


FIG. 14

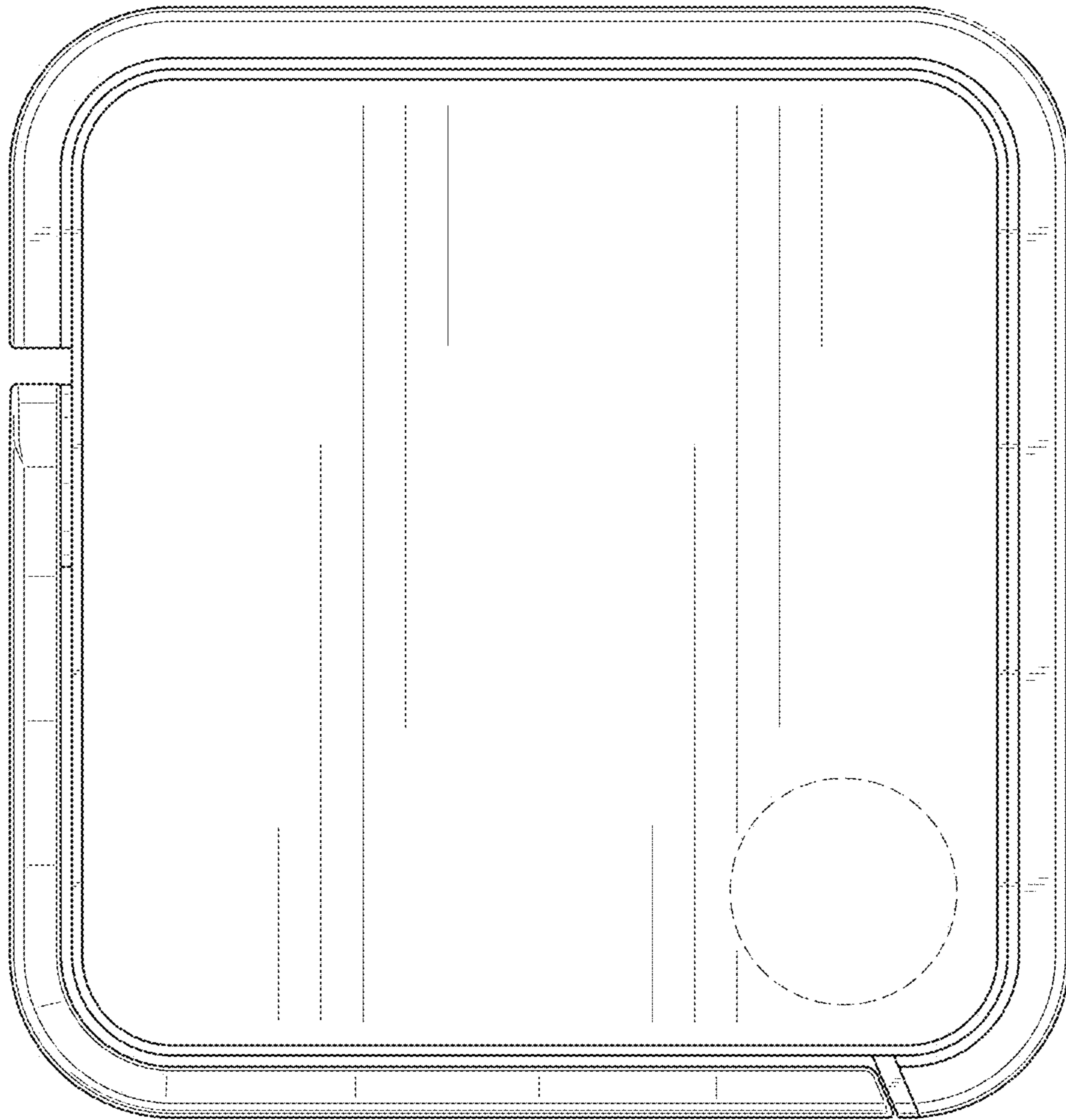


FIG. 15

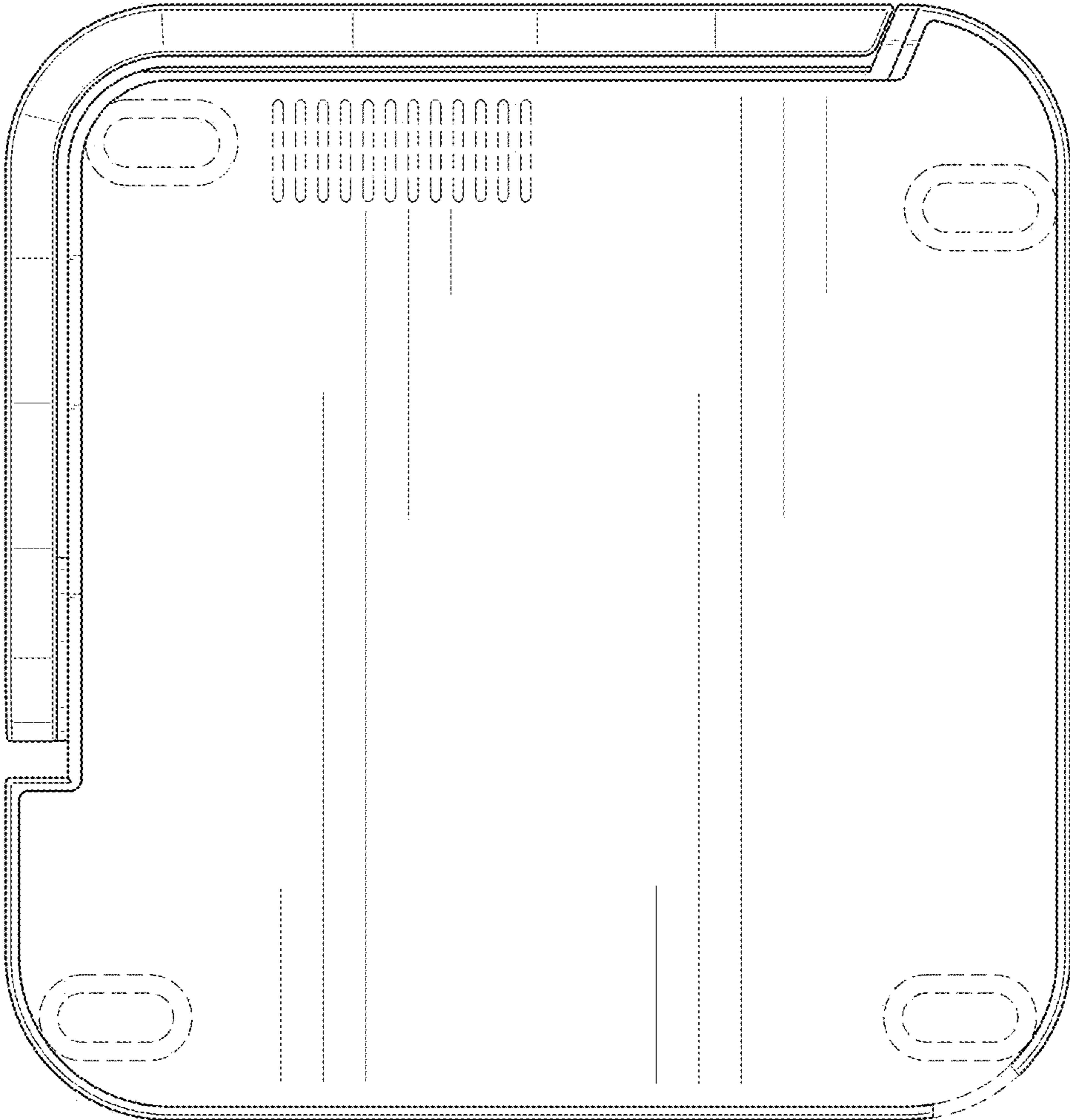


FIG. 16