



US00D941904S

(12) **United States Design Patent**
Coster et al.

(10) **Patent No.:** **US D941,904 S**
(45) **Date of Patent:** **** Jan. 25, 2022**

(54) **CAMERA**

(71) Applicant: **GoPro, Inc.**, San Mateo, CA (US)

(72) Inventors: **Daniel J. Coster**, Oakura (NZ); **Heman Au**, San Mateo, CA (US); **Huy Phuong Nguyen**, Alpine, UT (US); **Senka Agic Bergman**, Montara, CA (US)

(73) Assignee: **GoPro, Inc.**, San Mateo, CA (US)

(**) Term: **15 Years**

(21) Appl. No.: **29/786,993**

(22) Filed: **Jun. 3, 2021**

Related U.S. Application Data

(60) Continuation of application No. 29/765,003, filed on Jan. 5, 2021, now Pat. No. Des. 921,740, which is a division of application No. 29/694,559, filed on Jun. 11, 2019, now Pat. No. Des. 907,101.

(51) **LOC (13) Cl.** **16-05**

(52) **U.S. Cl.**
USPC **D16/219**

(58) **Field of Classification Search**
USPC D16/200, 202-207, 208-210, 212, 218, D16/219; 348/373-376; 396/448, 535, 396/539-541

CPC G03B 15/03; G03B 17/02; G03B 17/04; G03B 17/56; G03B 19/04; H04N 5/2251; H04N 5/2252; H04N 5/2253; H04N 5/2254; H04N 2101/00

See application file for complete search history.

(56) **References Cited**

U.S. PATENT DOCUMENTS

1,612,277 A 12/1926 Leo
D96,348 S 7/1935 Teaque
D118,296 S 12/1939 Tuomey

3,508,482 A 4/1970 Taylor
4,091,402 A 5/1978 Siegel
4,208,028 A 6/1980 Brown
4,469,423 A 9/1984 Bresson
4,646,141 A 2/1987 Timmermans
4,733,259 A 3/1988 Ng

(Continued)

FOREIGN PATENT DOCUMENTS

CA 168972 4/1916
EP 0031985220005 2/2018

(Continued)

OTHER PUBLICATIONS

Chinese Office Action, Chinese Application No. 201430488714.2, dated Mar. 12, 2015, 3 pages.

(Continued)

Primary Examiner — Ramzi Almatrahi

(74) *Attorney, Agent, or Firm* — Young Basile Hanlon & MacFarlane, P.C.

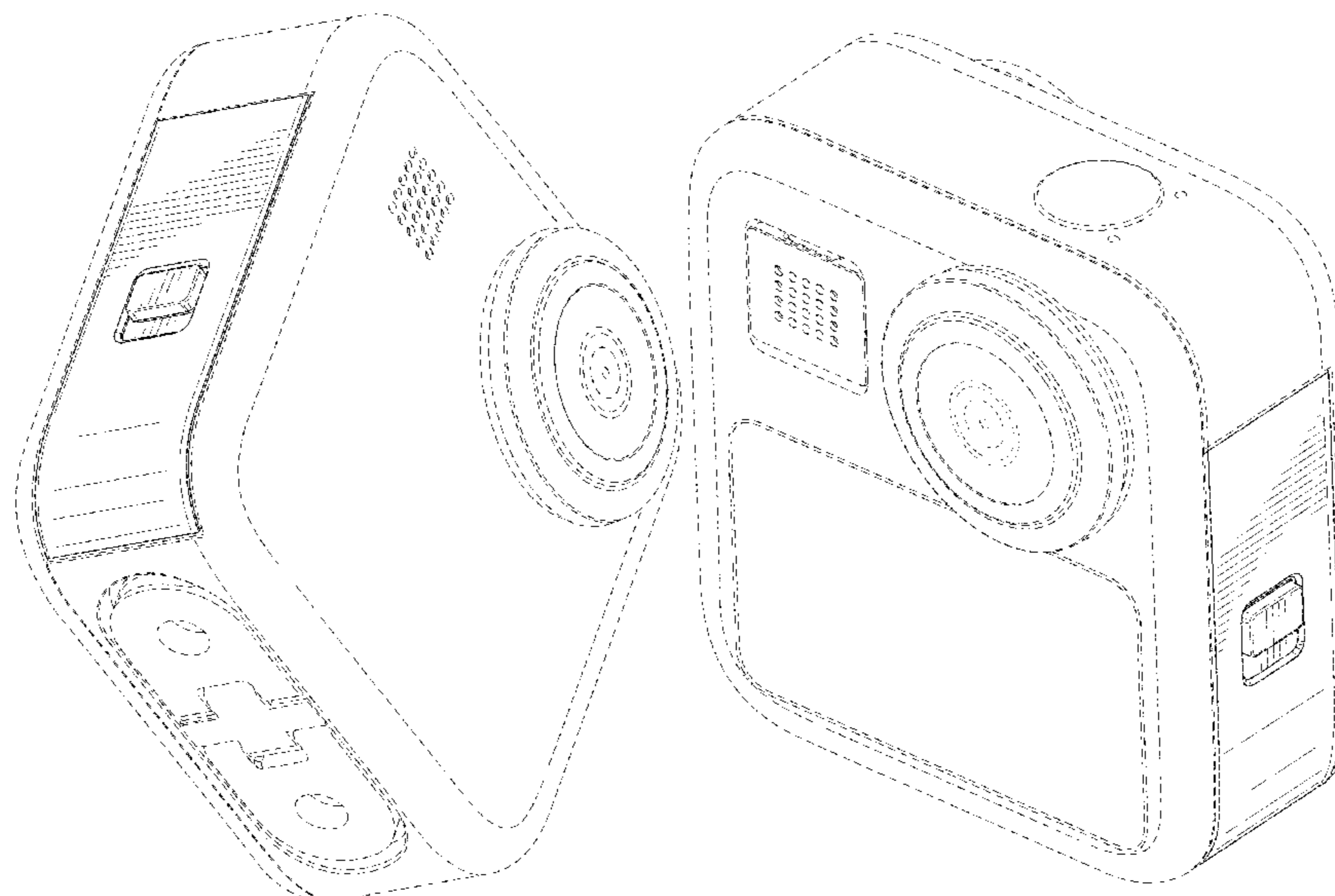
(57) **CLAIM**

The ornamental design for a camera, as shown and described.

DESCRIPTION

FIG. 1 is a bottom, front and left side perspective view of a camera showing our new design;
FIG. 2 is a top, rear and left side perspective view thereof;
FIG. 3 is a front elevation view thereof;
FIG. 4 is a rear elevation view thereof;
FIG. 5 is a left side elevation view thereof;
FIG. 6 is a top plan view thereof; and,
FIG. 7 is a bottom plan view thereof.
The broken lines depict portions of the camera in which the design is embodied that form no part of the claimed design.

1 Claim, 6 Drawing Sheets



(56)

References Cited

U.S. PATENT DOCUMENTS

D321,705 S	11/1991	Ohmura	D713,868 S	9/2014	Yang
D338,220 S	8/1993	Kohno	8,837,928 B1	9/2014	Clearman
D339,365 S	9/1993	Urcuilio	D715,347 S	10/2014	Troxel
5,400,234 A	3/1995	Yu	D718,617 S	12/2014	Taylor
D392,659 S	3/1998	Takano	D721,395 S	1/2015	Woodman
5,808,663 A	9/1998	Okaya	D722,864 S	2/2015	Greenthal
D407,098 S	3/1999	Goto	D724,637 S	3/2015	Samuels
D441,386 S	5/2001	Yamazaki	D724,638 S	3/2015	Samuels
D442,982 S	5/2001	Adachi	D725,169 S	3/2015	Gioscia
6,233,400 B1	5/2001	Muramatsu	D725,691 S	3/2015	De Rosa
6,315,180 B1	11/2001	Watkins	8,992,102 B1	3/2015	Samuels
D463,469 S	9/2002	Kawase	D727,387 S	4/2015	Hasegawa
D474,489 S	5/2003	Kawashima	D727,991 S	4/2015	Hasegawa
D480,741 S	10/2003	Berger	9,004,783 B1	4/2015	Woodman
D484,164 S	12/2003	Ogura	D729,059 S	5/2015	Taylor
D486,510 S	2/2004	Ogura	D729,761 S	5/2015	Hu
D487,765 S	3/2004	Dow	D729,762 S	5/2015	Hu
6,718,129 B1	4/2004	Cornell	D730,423 S	5/2015	Vandenbussche
D496,674 S	9/2004	Hayashi	9,033,596 B2	5/2015	Samuels
D504,904 S	5/2005	Nagai	D732,593 S	6/2015	Woodman
D515,121 S	2/2006	Bleau	D733,781 S	7/2015	Chen
D515,613 S	2/2006	Holmes	D733,788 S	7/2015	Baker
D524,836 S	7/2006	Morita	D734,799 S	7/2015	Woodman
D527,403 S	8/2006	Byun	D737,879 S	9/2015	Woodman
D531,199 S	10/2006	Matsuda	D739,451 S	9/2015	Gioscia
D532,029 S	11/2006	Kim	D740,868 S	10/2015	Gioscia
D532,030 S	11/2006	Yoshida	D741,394 S	10/2015	Gioscia
D532,433 S	11/2006	Sato	D741,932 S	10/2015	Huang
D533,574 S	12/2006	Hamamura	D742,952 S	11/2015	Nakajima
D534,564 S	1/2007	Tainaka	D744,572 S	12/2015	Tabuchi
D538,322 S	3/2007	Horikiri	D745,589 S	12/2015	Lee
D544,463 S	6/2007	Harris, Jr.	D745,920 S	12/2015	Lee
D551,969 S	10/2007	Aurilio	9,204,021 B2	12/2015	Woodman
D556,803 S	12/2007	Ishida	D750,146 S	2/2016	Costa
D566,151 S	4/2008	Won	D750,680 S	3/2016	Chen
D576,486 S	9/2008	Koza	D750,686 S	3/2016	Chen
D577,729 S	9/2008	Derry	D750,687 S	3/2016	Samuels
D577,731 S	9/2008	Altonji	D750,690 S	3/2016	Lee
D594,047 S	6/2009	Lee	D751,131 S	3/2016	Woodman
D594,497 S	6/2009	Hatori	D752,672 S	3/2016	Clearman
D596,217 S	7/2009	Kim	D753,749 S	4/2016	Zhu
7,626,621 B2	12/2009	Ito	D754,238 S	4/2016	Woodman
7,653,292 B2	1/2010	Yamaguchi	D754,769 S	4/2016	Patulski
7,683,968 B2	3/2010	Hagihara	D755,270 S	5/2016	Vehlewald
D616,480 S	5/2010	Ookawa	D755,271 S	5/2016	Patulski
D616,742 S	6/2010	Lymn	D755,274 S	5/2016	Lee
D617,360 S	6/2010	Endo	D755,874 S	5/2016	Yang
7,728,905 B2	6/2010	Tanaka	D758,467 S	6/2016	Zhang
D622,591 S	8/2010	Biesecker, II	D759,145 S	6/2016	Lee
7,768,727 B2	8/2010	Iida	D760,309 S	6/2016	Parfitt
7,801,439 B2	9/2010	Nagata	D760,312 S	6/2016	Lee
D635,607 S	4/2011	Takagi	9,360,742 B1	6/2016	Harrison
D641,389 S	7/2011	Dastagir	9,395,031 B1	7/2016	Clearman
8,014,656 B2	9/2011	Woodman	D762,759 S	8/2016	Wu
D647,554 S	10/2011	Yim	D763,346 S	8/2016	Jenkins
D647,935 S	11/2011	Raken	D764,559 S	8/2016	Luo
D657,808 S	4/2012	Woodman	D766,351 S	9/2016	Li
D660,339 S	5/2012	Yoshida	D769,346 S	10/2016	Nguyen
8,199,251 B2	6/2012	Woodman	D772,966 S	11/2016	Song
D664,995 S	8/2012	Akana	9,507,245 B1	11/2016	Druker
D676,476 S	2/2013	Ishikura	D773,546 S	12/2016	Nguyen
D680,097 S	4/2013	Davies	D773,547 S	12/2016	Lee
8,467,675 B2	6/2013	Chen	D775,254 S	12/2016	Parfitt
D690,280 S	9/2013	Schul	D776,183 S	1/2017	Miyazaki
8,542,308 B2	9/2013	Ozawa	D776,738 S	1/2017	Clearman
D692,042 S	10/2013	Dawes	D776,741 S	1/2017	Parfitt
8,544,643 B2	10/2013	Yim	D777,236 S	1/2017	Mai
D692,939 S	11/2013	Huang	D777,240 S	1/2017	Costa
D700,166 S	2/2014	Petersen	D777,821 S	1/2017	Gioscia
D702,276 S	4/2014	Woodman	D778,335 S	2/2017	Gioscia
D702,278 S	4/2014	Kim	D778,336 S	2/2017	Gioscia
8,743,277 B2	6/2014	Matsuzawa	D779,576 S	2/2017	Ikegame
8,792,003 B2	7/2014	Nakamura	D780,244 S	2/2017	Wang
D710,921 S	8/2014	Gioscia	9,588,407 B1	3/2017	Harrison
D710,922 S	8/2014	Gioscia	D785,692 S	5/2017	Wang
			D785,695 S	5/2017	Woodman
			D785,696 S	5/2017	Parfitt
			D785,697 S	5/2017	Costa
			D788,835 S	6/2017	Wu

US D941,904 S

(56)

References Cited

U.S. PATENT DOCUMENTS

D789,435 S	6/2017	Nguyen	D867,427 S *	11/2019	Bai	D16/210
D790,001 S	6/2017	Parfitt	D868,871 S	12/2019	Nguyen	
D790,002 S	6/2017	Nguyen	D868,874 S *	12/2019	Muhlenkamp	D16/219
D791,211 S	7/2017	Fujita	D869,844 S	12/2019	Eliyahu	
D791,848 S	7/2017	Zhu	D870,176 S	12/2019	Hokari	
D792,919 S	7/2017	Ryu	D870,183 S	12/2019	Tsukamoto	
D793,463 S	8/2017	Houin	D871,480 S	12/2019	Hu	
D794,695 S	8/2017	Zhang	10,523,925 B2	12/2019	Woodman	
D794,696 S	8/2017	Nguyen	D872,162 S	1/2020	Gao	
D798,929 S	10/2017	Zhou	10,536,615 B2	1/2020	Campbell	
D800,202 S	10/2017	Hu	10,574,871 B2	2/2020	Abbas	
D800,817 S	10/2017	Sutton	D880,561 S	4/2020	Muhlenkamp	
D800,819 S	10/2017	Parfitt	D880,567 S	4/2020	Zhang	
D803,705 S	11/2017	Read	D880,569 S	4/2020	Zhang	
D803,919 S	11/2017	Jeong	D881,974 S	4/2020	Nguyen	
D803,920 S	11/2017	Shin	D892,194 S	8/2020	Nguyen	
D803,925 S	11/2017	Hoshi	D892,905 S *	8/2020	Nguyen	D16/219
D804,560 S	12/2017	Costa	D894,256 S	8/2020	Vitale	
D805,117 S	12/2017	Nguyen	10,768,508 B1	9/2020	Woodman	
D805,569 S	12/2017	Daugela	D900,911 S	11/2020	Muhlenkamp, IV	
D806,155 S	12/2017	Parfitt	D903,740 S	12/2020	Au	
D806,775 S	1/2018	Nguyen	D906,396 S	12/2020	Schaarschmidt	
D808,163 S	1/2018	Song	D907,101 S *	1/2021	Coster	D16/218
D814,543 S	4/2018	Oshima	D907,680 S *	1/2021	Nguyen	D16/202
D815,677 S	4/2018	Gao	D911,418 S	2/2021	Yap	
D816,753 S	5/2018	Zhang	D920,419 S *	5/2021	Muhlenkamp, IV	D16/218
D818,025 S	5/2018	Wong	D921,737 S	6/2021	Liang	
D818,028 S	5/2018	Ramones	D921,740 S	6/2021	Coster	
D818,029 S	5/2018	Fujita	D926,243 S	7/2021	Tsukamoto	
D819,718 S	6/2018	Wu	D928,863 S	8/2021	Alberstein	
D820,335 S	6/2018	Favè	2002/0046218 A1	4/2002	Gilbert	
D820,339 S	6/2018	Yau	2003/0156212 A1	8/2003	Kingetsu	
D820,898 S	6/2018	Fujita	2004/0223752 A1	11/2004	Ghanouni	
D821,480 S	6/2018	Gioscia	2005/0019029 A1	1/2005	Kawakami	
D821,481 S	6/2018	Gioscia	2005/0212959 A1	9/2005	Manabe	
D824,982 S	8/2018	Lee	2006/0233545 A1	10/2006	Senba	
D825,636 S	8/2018	Hueber	2006/0257137 A1	11/2006	Fromm	
D829,260 S	9/2018	Fujita	2007/0019948 A1	1/2007	Terada	
D830,446 S *	10/2018	Muhlenkamp, IV	2007/0140686 A1	6/2007	Misawa	
D832,905 S	11/2018	Liu	2008/0117328 A1	5/2008	Daoud	
D832,906 S	11/2018	Hasegawa	2008/0248703 A1	10/2008	Russell	
D833,505 S	11/2018	Hu	2010/0060747 A1	3/2010	Woodman	
D835,172 S	12/2018	Fujita	2010/0061711 A1	3/2010	Woodman	
D835,910 S	12/2018	Eliyahu	2011/0001834 A1	1/2011	Herrell	
D836,696 S	12/2018	Zhang	2011/0042530 A1	2/2011	Phillips	
D837,861 S	1/2019	Luo	2011/0129210 A1	6/2011	McGucken	
D837,865 S	1/2019	Parfitt	2011/0216195 A1	9/2011	Tanaka	
D838,762 S	1/2019	Piekarski	2011/0317065 A1	12/2011	Lin	
D839,335 S	1/2019	Zhang	2013/0186310 A1	7/2013	Lymberis	
D839,945 S	2/2019	Lenz	2013/0321696 A1	12/2013	Bae	
D840,463 S	2/2019	Nguyen	2014/0060582 A1	3/2014	Hartranft	
D842,142 S	3/2019	Recker	2014/0160349 A1	6/2014	Huang	
D848,509 S	5/2019	Lee	2015/0022717 A1	1/2015	Coons	
D849,076 S	5/2019	Bertram	2015/0122849 A1	5/2015	Jones	
D849,078 S	5/2019	Girotti	2015/0189131 A1	7/2015	Woodman	
D849,084 S	5/2019	Hu	2015/0316835 A1	11/2015	Scott	
D849,100 S	5/2019	Hsu	2016/0116828 A1	4/2016	Clearman	
D849,108 S	5/2019	Huang	2016/0119516 A1	4/2016	Clearman	
D849,730 S	5/2019	Charette	2016/0131963 A1	5/2016	Clearman	
D850,513 S *	6/2019	Gan	2016/0209731 A1	7/2016	Song	
D851,155 S	6/2019	Hu	2016/0274338 A1	9/2016	Davies	
D852,255 S	6/2019	Guo	2017/0059967 A1	3/2017	Harrison	
D852,256 S	6/2019	Bai	2017/0111559 A1	4/2017	Abbas	
D854,597 S *	7/2019	Gao	2017/0150236 A1	5/2017	Newman	
D855,675 S	8/2019	Luo	2017/0195550 A1	7/2017	Kim	
D859,498 S	9/2019	Lin	2017/0289413 A1	10/2017	Samuels	
D861,761 S *	10/2019	Bergman	2017/0324890 A1	11/2017	Moskovchenko	
D861,765 S	10/2019	Muhlenkamp, IV	2018/0039162 A1	2/2018	Ali	
D861,766 S	10/2019	Lim	2018/0081258 A1	3/2018	Clyne	
D863,404 S *	10/2019	Karpenko	2018/0084194 A1	3/2018	Woodman	
D864,275 S	10/2019	Huang	2018/0084215 A1	3/2018	Jing	
D865,843 S	11/2019	Hu	2018/0102123 A1	4/2018	Tisch	
D865,844 S	11/2019	Jalala	2018/0103189 A1	4/2018	Nguyen	
D865,845 S	11/2019	Sakai	2018/0103190 A1	4/2018	Nguyen	
D867,420 S	11/2019	Zhang	2018/0146122 A1	5/2018	Campbell	
			2018/0198989 A1	7/2018	MacMillan	
			2018/0262682 A1	9/2018	Wang	
			2020/0159091 A1	5/2020	Vitale	
			2020/0184690 A1	6/2020	Guérin	

(56)

References Cited

U.S. PATENT DOCUMENTS

2020/0204721 A1 6/2020 Douady
2020/0204772 A1 6/2020 Gounelle
2020/0218136 A1 7/2020 Au
2020/0221010 A1 7/2020 Douady
2020/0221219 A1 7/2020 Hardin
2020/0259978 A1 8/2020 Abbas

FOREIGN PATENT DOCUMENTS

JP H05304625 A 11/1993
JP 1595273 1/2018
JP 1595299 1/2018

OTHER PUBLICATIONS

Office Action for Taiwanese Patent Application No. TW103304745,
dated Jan. 28, 2016, 3 Pages.

PCT International Search Report and Written Opinion for PCT/
US2014/058465, dated Dec. 23, 2014, 17 pages.

PCT International Search Report and Written Opinion for PCT/
US2014/070655, dated Apr. 29, 2015, 13 Pages.

Design U.S. Appl. No. 29/663,435, filed Sep. 14, 2018, 65 pages.

Design U.S. Appl. No. 29/694,559, filed Jun. 11, 2019, 25 pages.

United States Office Action for U.S. Appl. No. 14/148,536, dated
Jul. 9, 2014, 9 pages.

United States Office Action for U.S. Appl. No. 14/536,683, dated
Dec. 18, 2014, 14 Pages.

United States Office Action for U.S. Appl. No. 14/536,683, dated
Jun. 9, 2015, 16 pages.

United States Office Action for U.S. Appl. No. 14/536,683, dated
Sep. 21, 2015. 15 Pages.

United States Office Action, U.S. Appl. No. 29/576,880, dated Mar.
9, 2017, 13 pages.

Design U.S. Appl. No. 29/631,230, filed Feb. 28, 2017, 79 pages.

Design U.S. Appl. No. 29/699,945, filed Jul. 30, 2019, 8 pages.

* cited by examiner

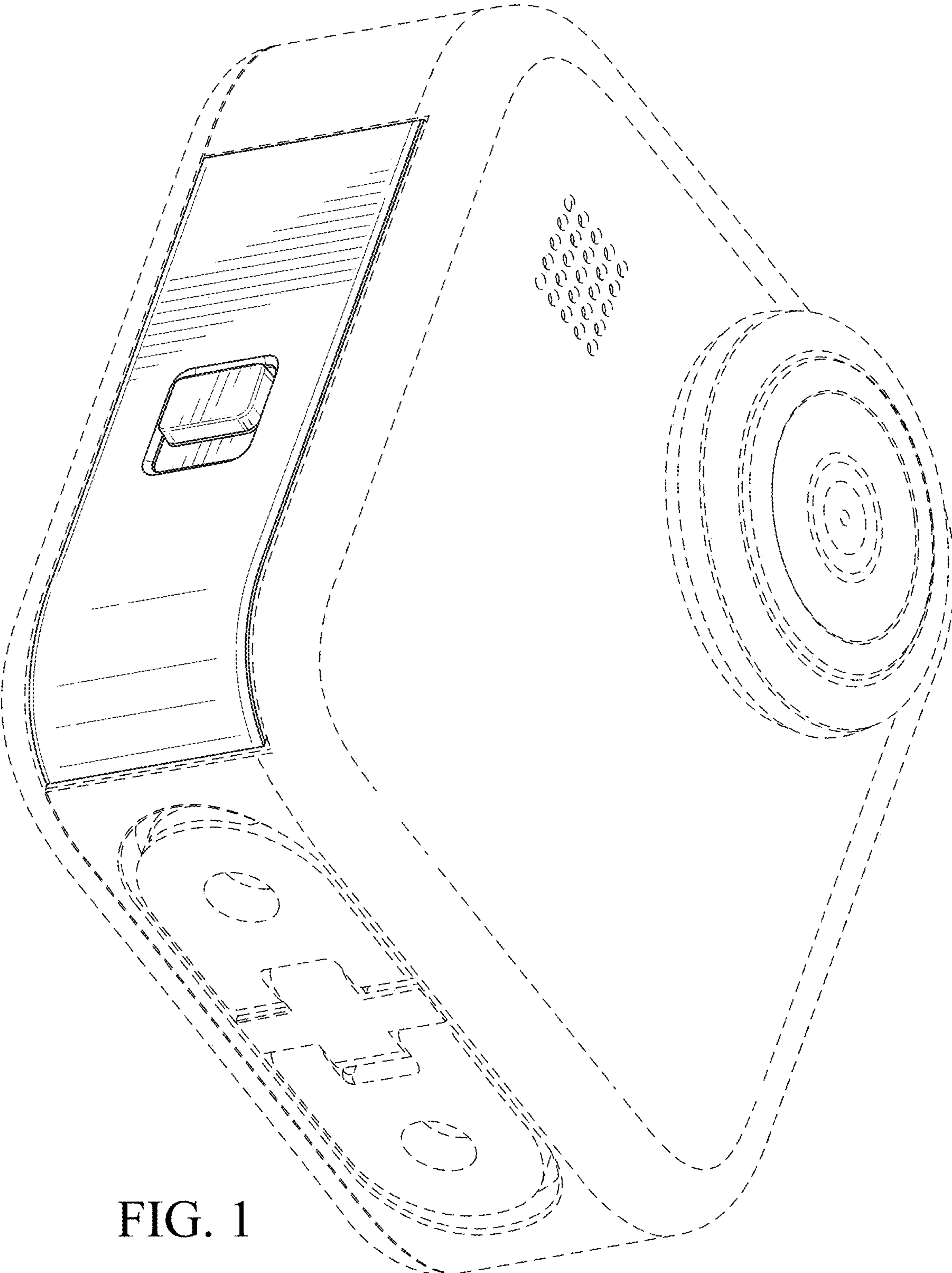


FIG. 1

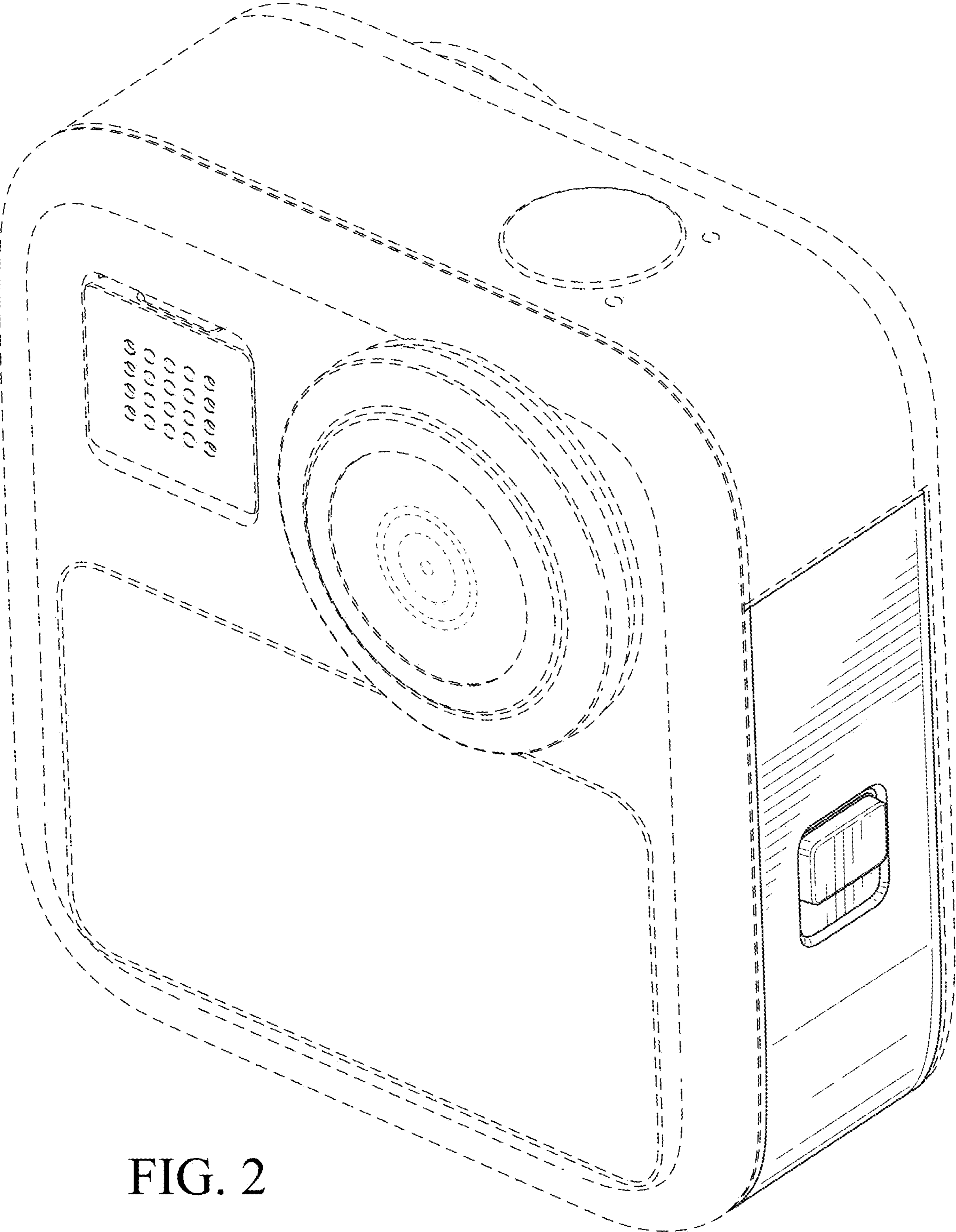


FIG. 2

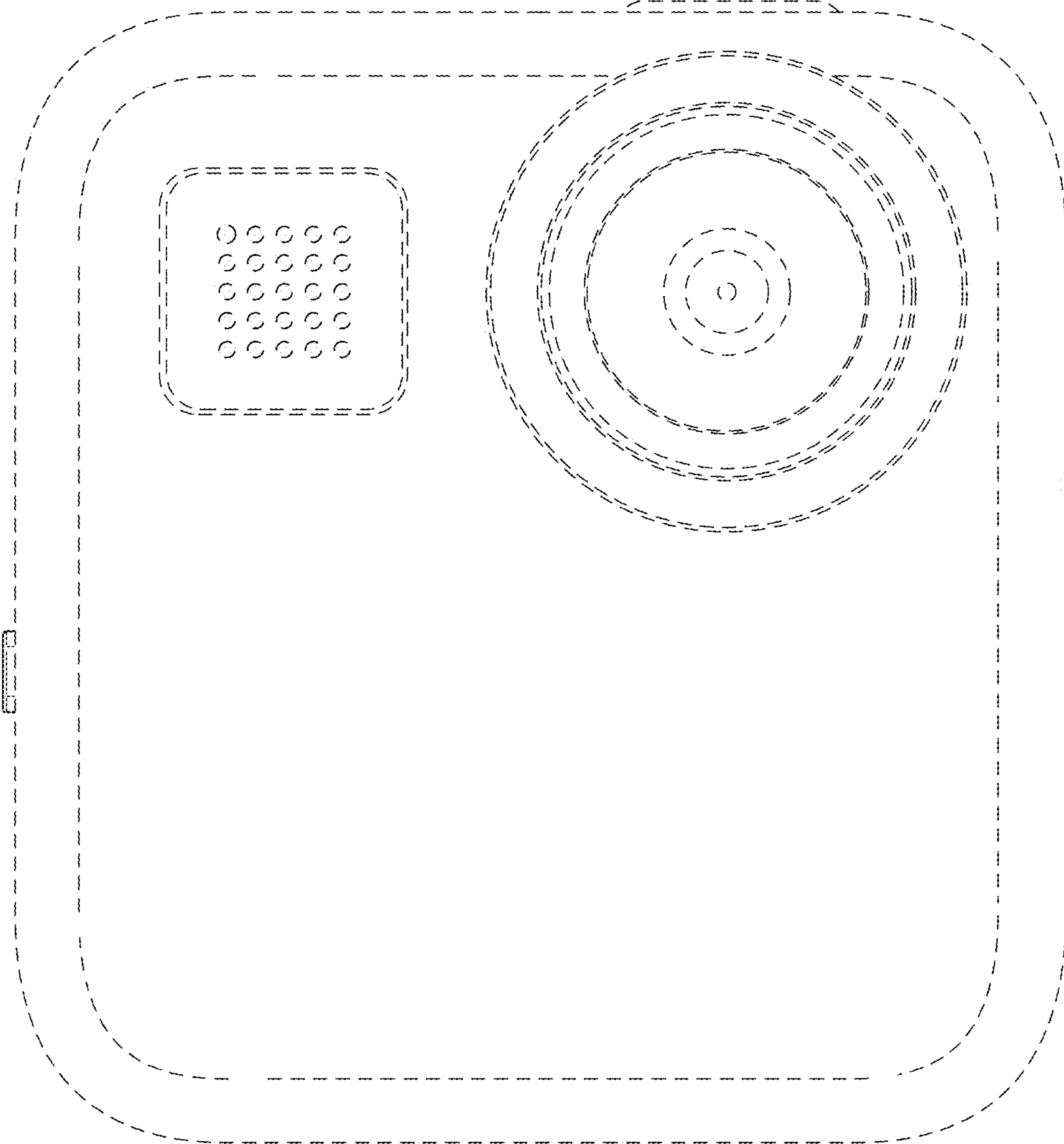


FIG. 3

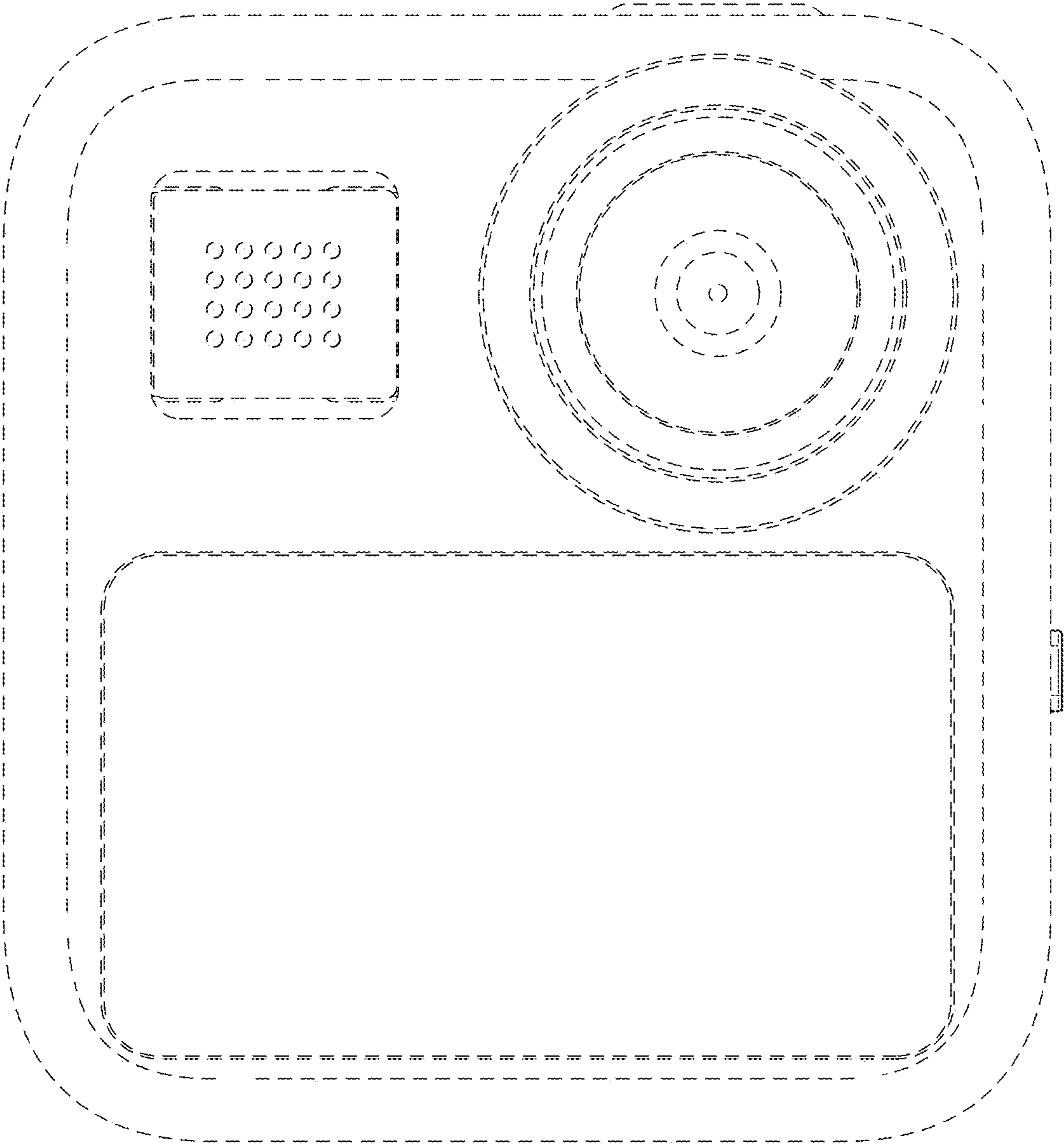


FIG. 4

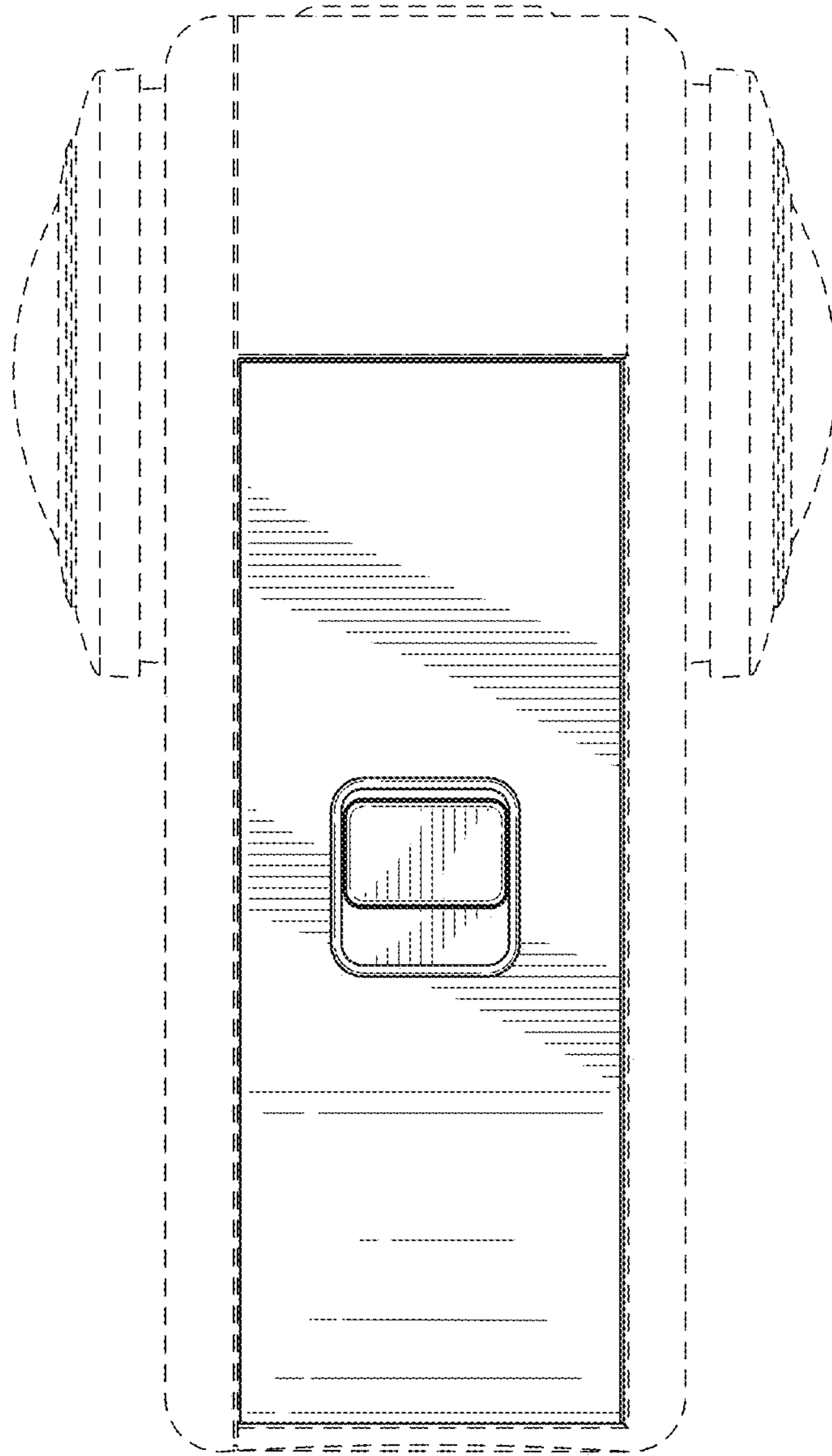


FIG. 5

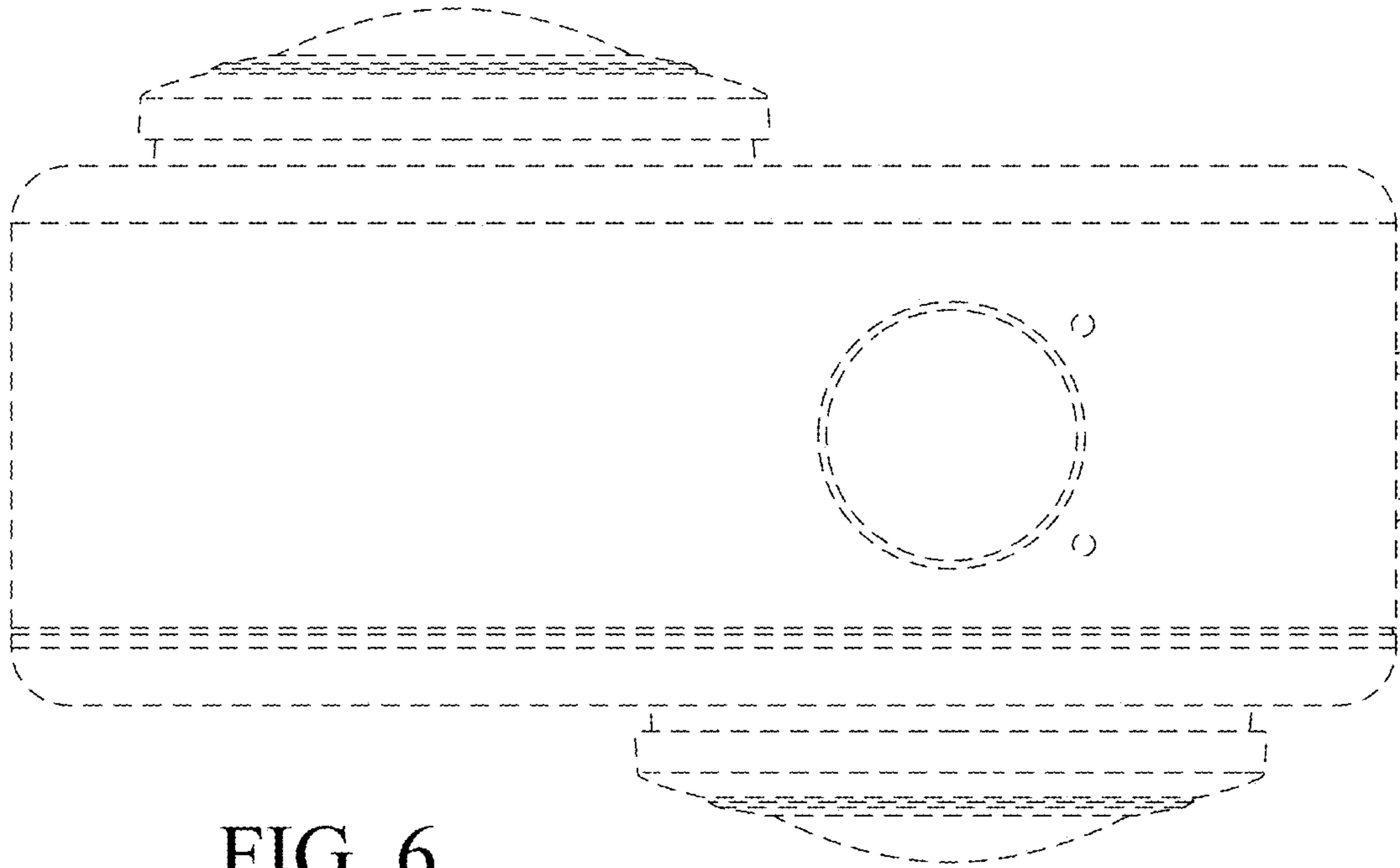


FIG. 6

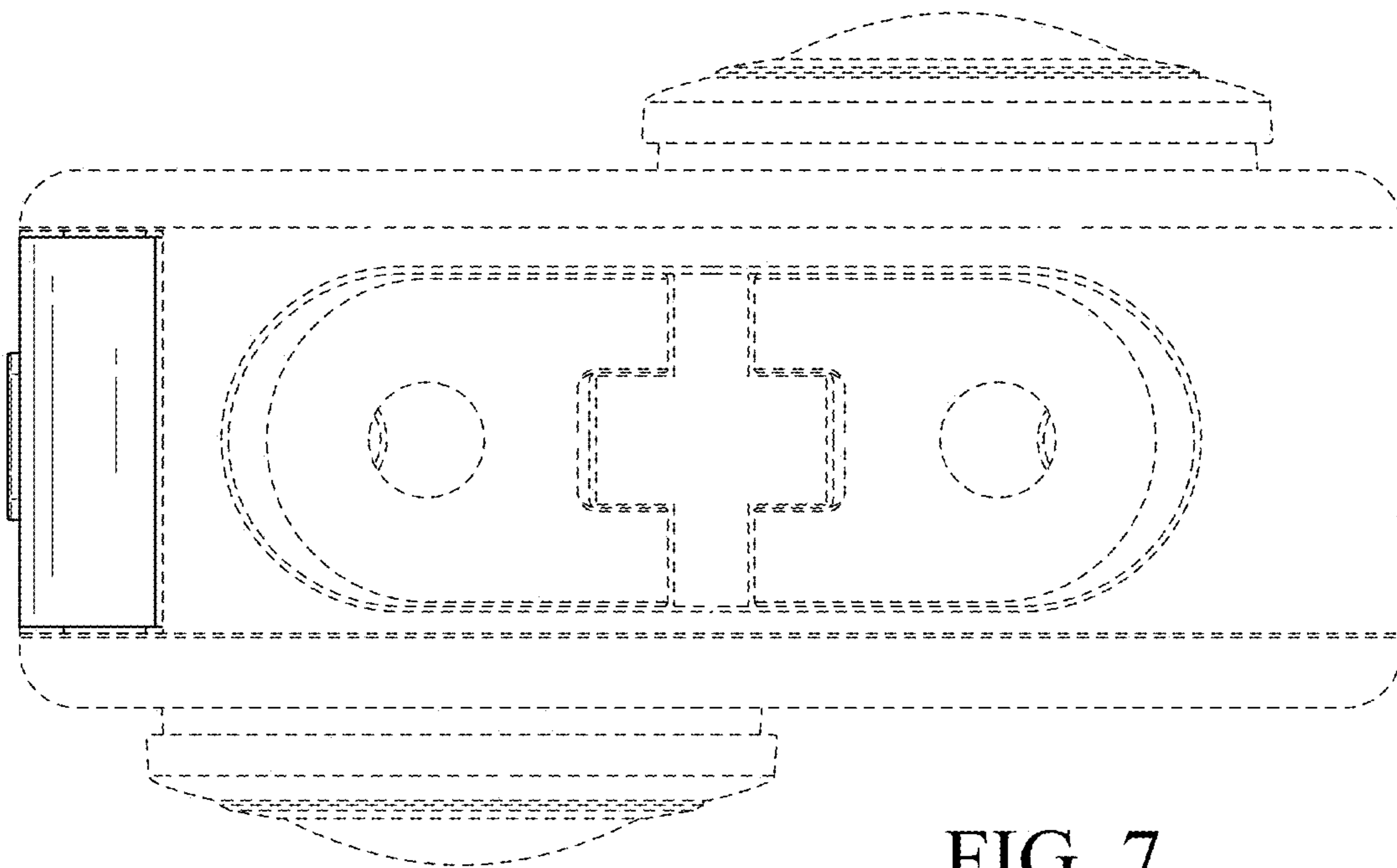


FIG. 7