



US00D941903S

(12) **United States Design Patent** (10) **Patent No.:** **US D941,903 S**
Yamana et al. (45) **Date of Patent:** **** Jan. 25, 2022**

(54) **DIGITAL CAMERA**
(71) Applicant: **CANON KABUSHIKI KAISHA,**
Tokyo (JP)
(72) Inventors: **Kazuaki Yamana,** Kawasaki (JP); **Jun**
Kamiya, Kawasaki (JP)
(73) Assignee: **Canon Kabushiki Kaisha,** Tokyo (JP)
(**) Term: **15 Years**
(21) Appl. No.: **29/744,767**
(22) Filed: **Jul. 31, 2020**

D705,335 S 5/2014 Oikawa et al.
D723,084 S * 2/2015 Awazu D16/219
D726,240 S 4/2015 Oikawa et al.
D783,700 S 4/2017 Tagawa et al.
9,674,467 B2 * 6/2017 Izawa H04N 5/23245
D820,341 S * 6/2018 Tokiwa D16/219
D829,800 S * 10/2018 Heyden D16/202
D831,092 S * 10/2018 Watanabe D16/219
D831,093 S * 10/2018 Tokiwa D16/219
D838,764 S * 1/2019 Imai D16/219
D838,766 S * 1/2019 Tokiwa D16/219
D849,116 S * 5/2019 Lee D16/219
D849,818 S * 5/2019 Imai D16/219

(Continued)

FOREIGN PATENT DOCUMENTS

JP 1456035 11/2012
JP 1456461 11/2012

(Continued)

Primary Examiner — Bao-Yen T Nguyen
(74) *Attorney, Agent, or Firm* — Venable LLP

Related U.S. Application Data
(62) Division of application No. 35/507,100, filed on Nov.
14, 2018 (U.S. filing date under 35 U.S.C. 384), and
having an international filing date of Nov. 14, 2018,
now abandoned.

(30) **Foreign Application Priority Data**
May 15, 2018 (JP) 2018-010519

(51) **LOC (13) Cl.** **16-05**
(52) **U.S. Cl.**
USPC **D16/219**

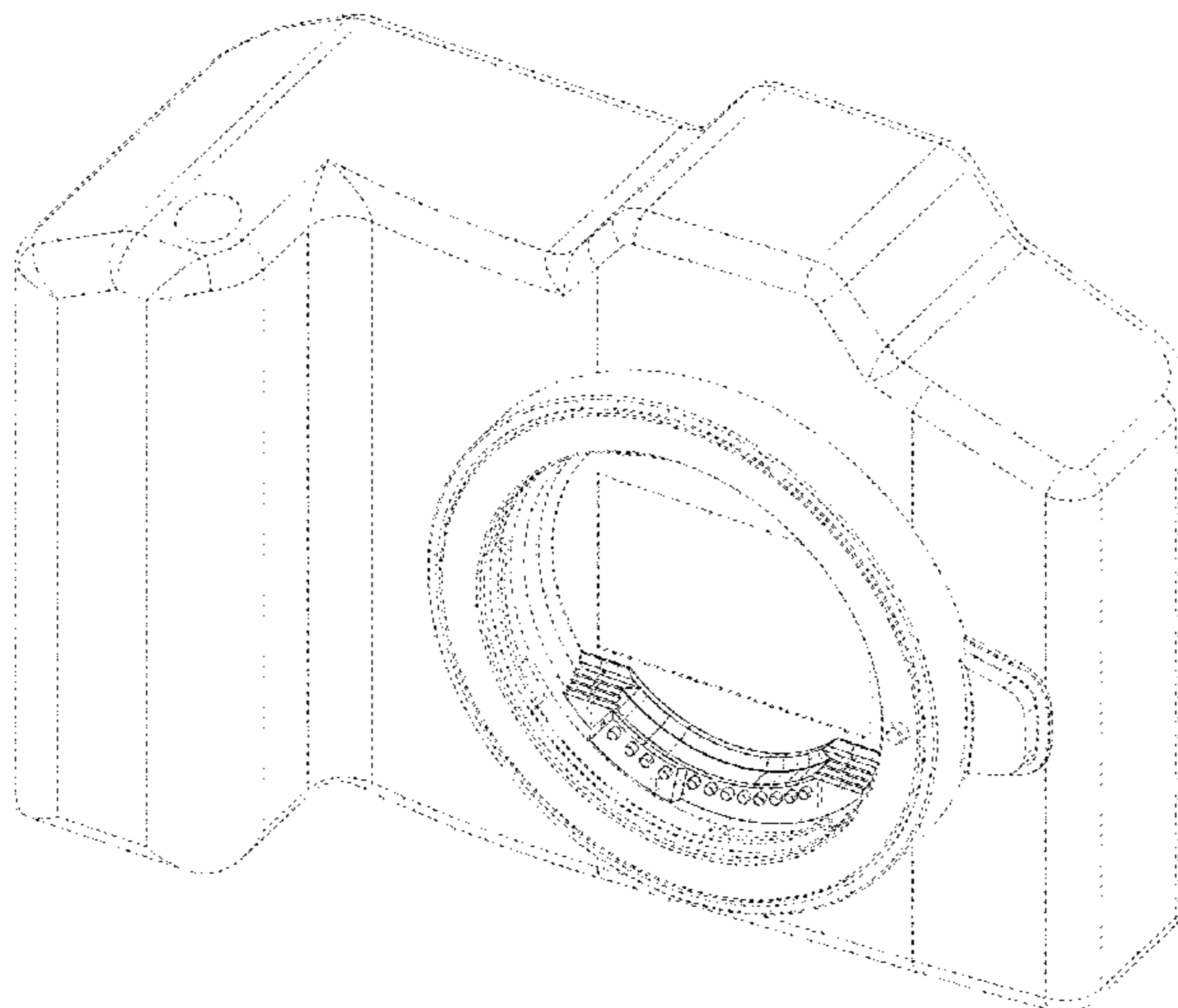
(58) **Field of Classification Search**
USPC D16/134, 136, 200, 202–205, 218, 219,
D16/235, 242
CPC G03B 17/02; G03B 19/04; G03B 17/56;
G03B 17/04; G03B 15/03; G03B 17/14;
H04N 5/2251; H04N 5/2252; H04N
5/2253; H04N 5/2254; G02B 7/02; G02B
7/04; G02B 7/14
See application file for complete search history.

(56) **References Cited**
U.S. PATENT DOCUMENTS
D669,930 S * 10/2012 Koyama D16/219
D698,839 S * 2/2014 Sato D16/200

(57) **CLAIM**
The ornamental design for a digital camera, as shown and
described.

DESCRIPTION
FIG. 1 is a Front view of a digital camera showing our new
design;
FIG. 2 is a Back view thereof;
FIG. 3 is a Top view thereof;
FIG. 4 is a Bottom view thereof;
FIG. 5 is a Left view thereof;
FIG. 6 is a Right view thereof; and,
FIG. 7 is a Perspective view thereof.
The broken lines show portions of the digital camera that
form no part of the claimed design.

1 Claim, 7 Drawing Sheets



(56)

References Cited

U.S. PATENT DOCUMENTS

D849,821 S * 5/2019 England D16/242
 D850,514 S * 6/2019 Hsu D16/219
 D865,031 S * 10/2019 Saito D16/219
 D867,429 S * 11/2019 Miyao D16/219
 D868,868 S * 12/2019 Heyden D16/202
 D870,185 S * 12/2019 Nagaoka D16/219
 D881,260 S * 4/2020 Ikegame D16/219
 D881,261 S * 4/2020 Ikegame D16/219
 D884,774 S * 5/2020 Kamei D16/219
 D885,462 S * 5/2020 Nagaoka D16/219
 D894,249 S * 8/2020 Kamei D16/202
 D894,991 S * 9/2020 Park D16/202
 D896,294 S * 9/2020 Bennett D16/202
 D896,872 S * 9/2020 Lee D16/219
 D897,405 S * 9/2020 Lee D16/219
 D897,406 S * 9/2020 Ikegame D16/219
 D898,103 S * 10/2020 Nagaoka D16/219
 D899,486 S * 10/2020 Tamura D16/219
 D900,193 S * 10/2020 Tamura D16/219
 D900,194 S * 10/2020 Tamura D16/219
 D908,162 S * 1/2021 Yoon D16/219

D908,775 S * 1/2021 Wu D16/219
 D913,355 S * 3/2021 Takahashi D16/219
 D918,987 S * 5/2021 Mori D16/219
 D924,297 S * 7/2021 Imai D16/202
 2010/0020184 A1 * 1/2010 Kurosawa H04N 5/2253
 348/208.11
 2011/0052171 A1 * 3/2011 Yasuda G03B 17/14
 396/176
 2013/0033770 A1 * 2/2013 Koga G03B 3/00
 359/823
 2013/0077953 A1 * 3/2013 Kikuchi G02B 7/04
 396/530
 2014/0111686 A1 * 4/2014 Iikawa G03B 17/14
 348/374

FOREIGN PATENT DOCUMENTS

JP 1456462 11/2012
 JP 1456463 11/2012
 JP 1456464 11/2012
 JP 1456465 11/2012
 JP 1555184 8/2016
 JP 2016-126069 A 7/2017

* cited by examiner

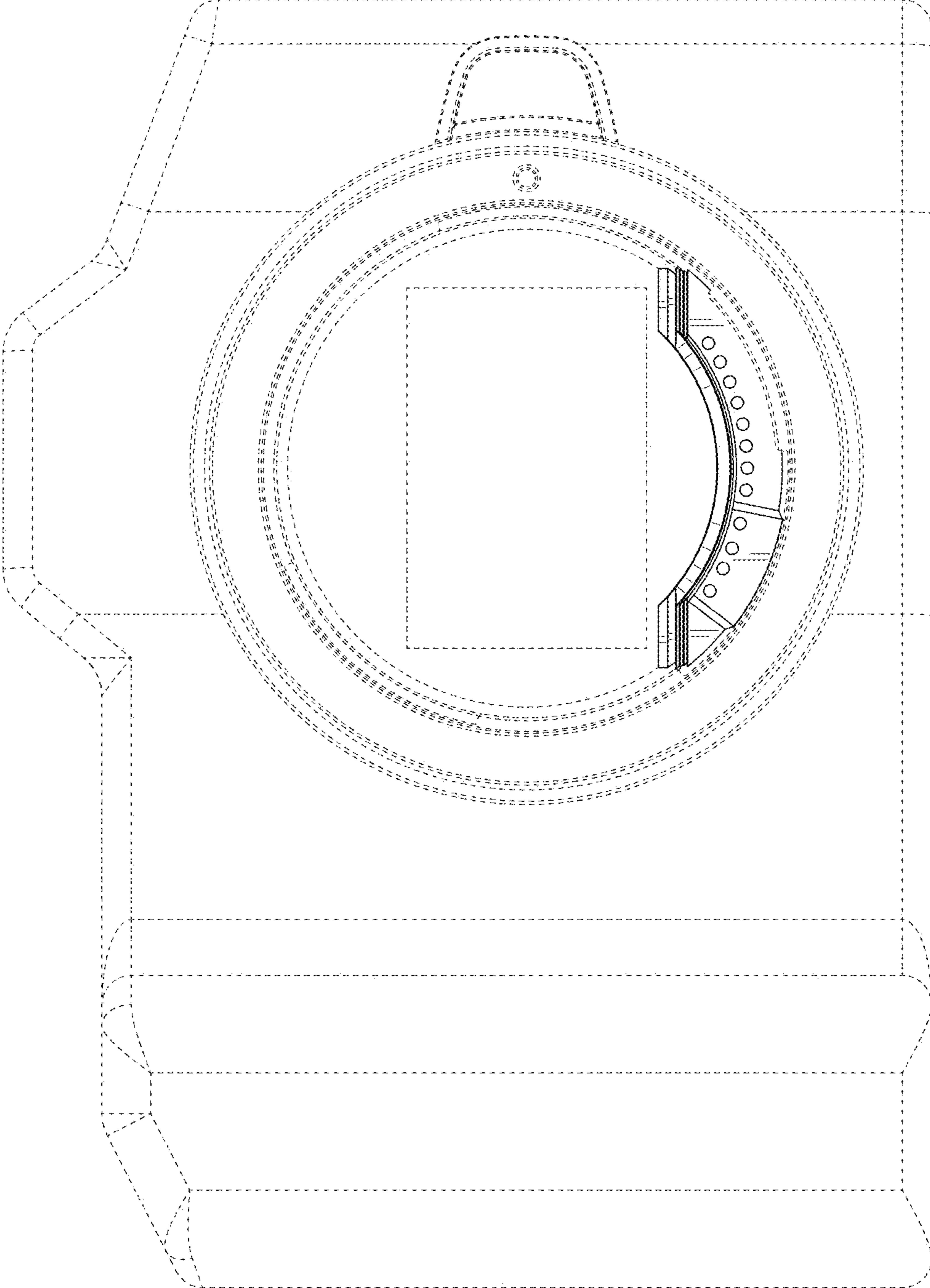


FIG. 1

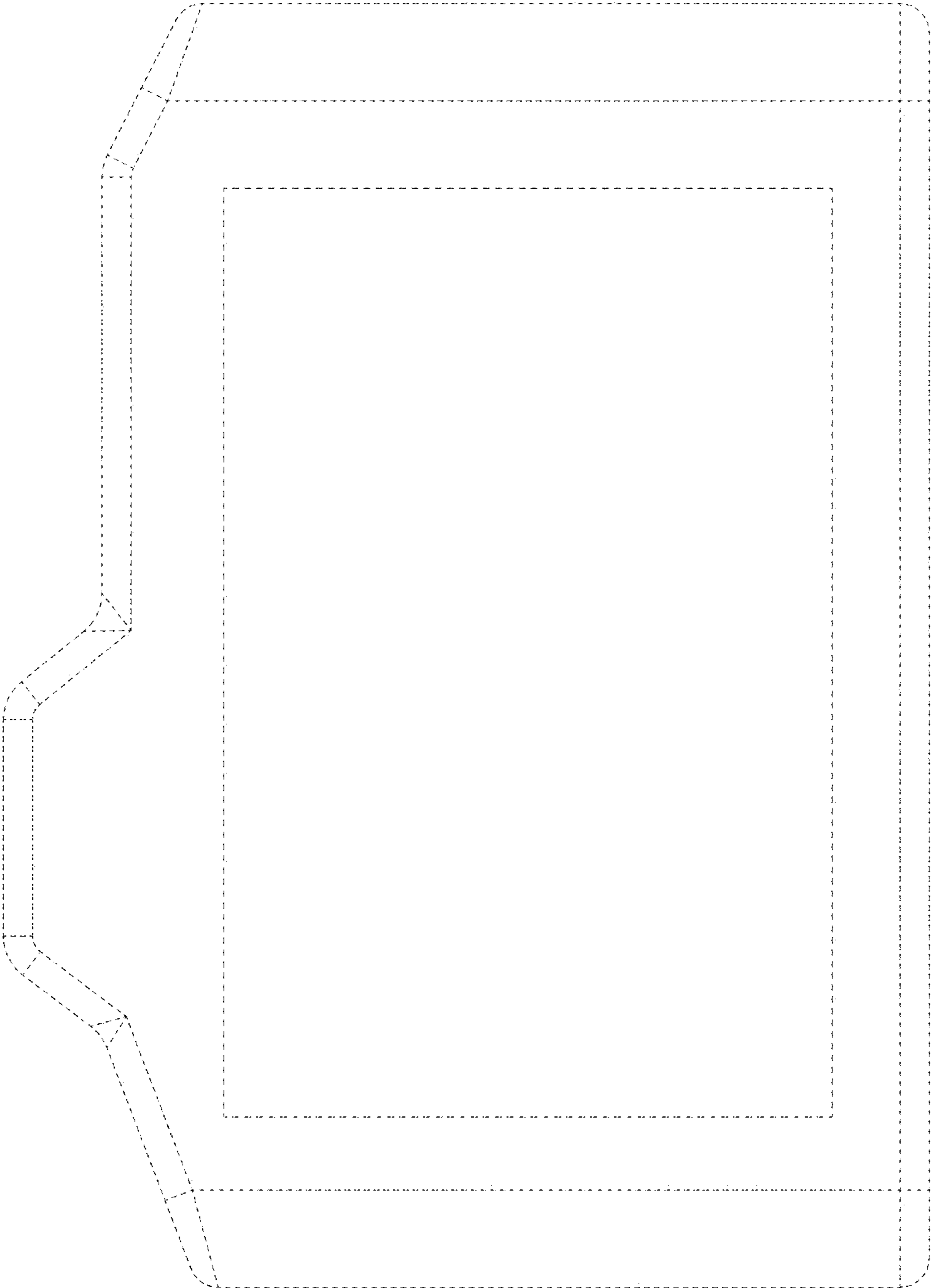


FIG. 2

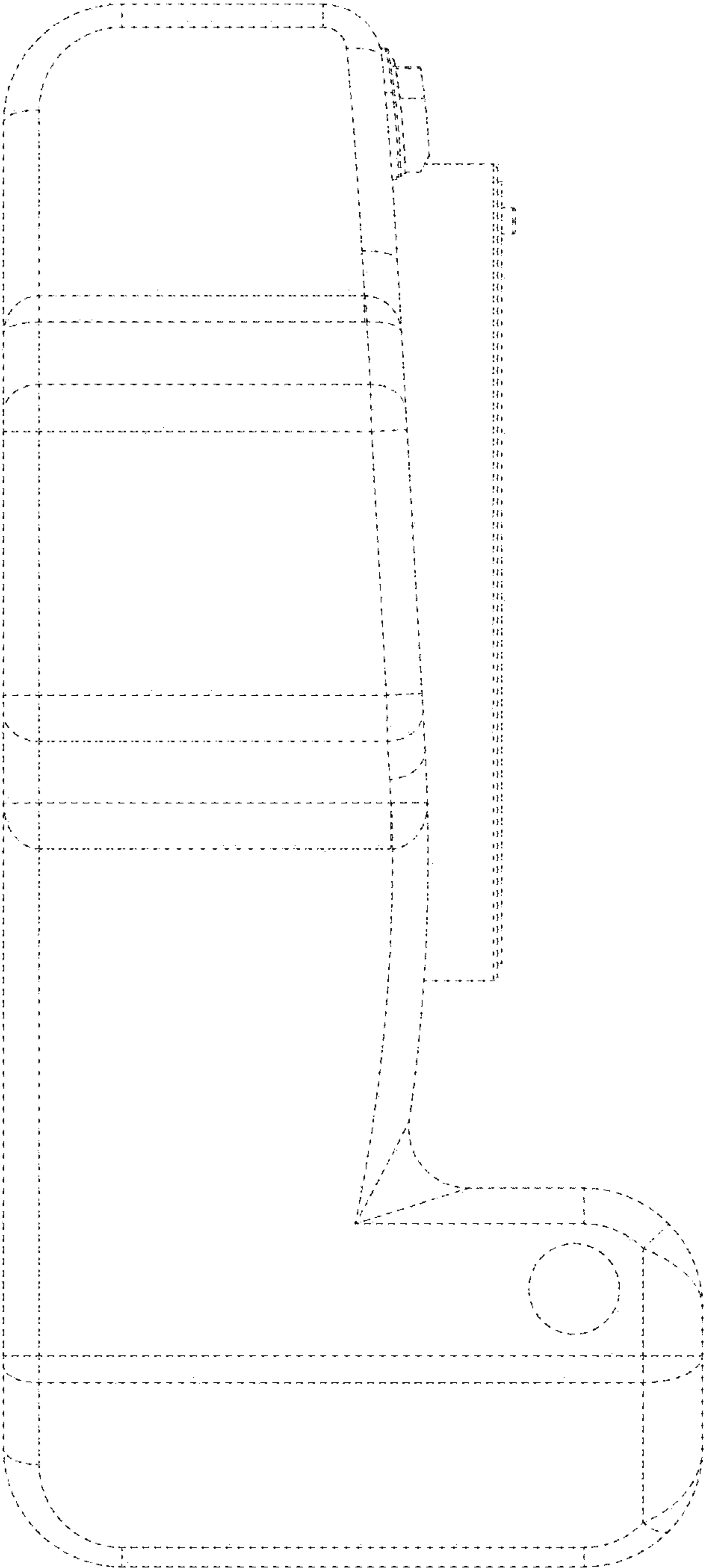


FIG. 3

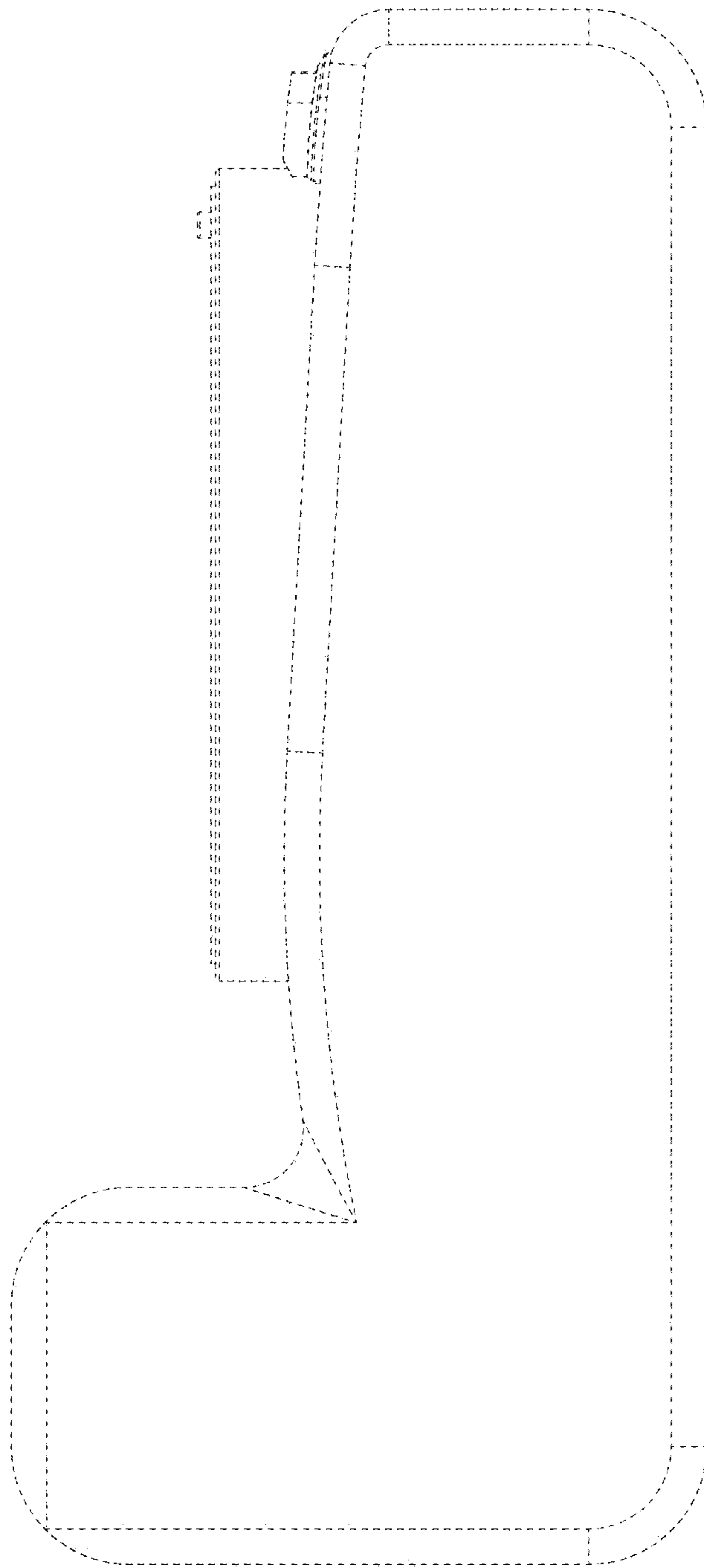


FIG. 4

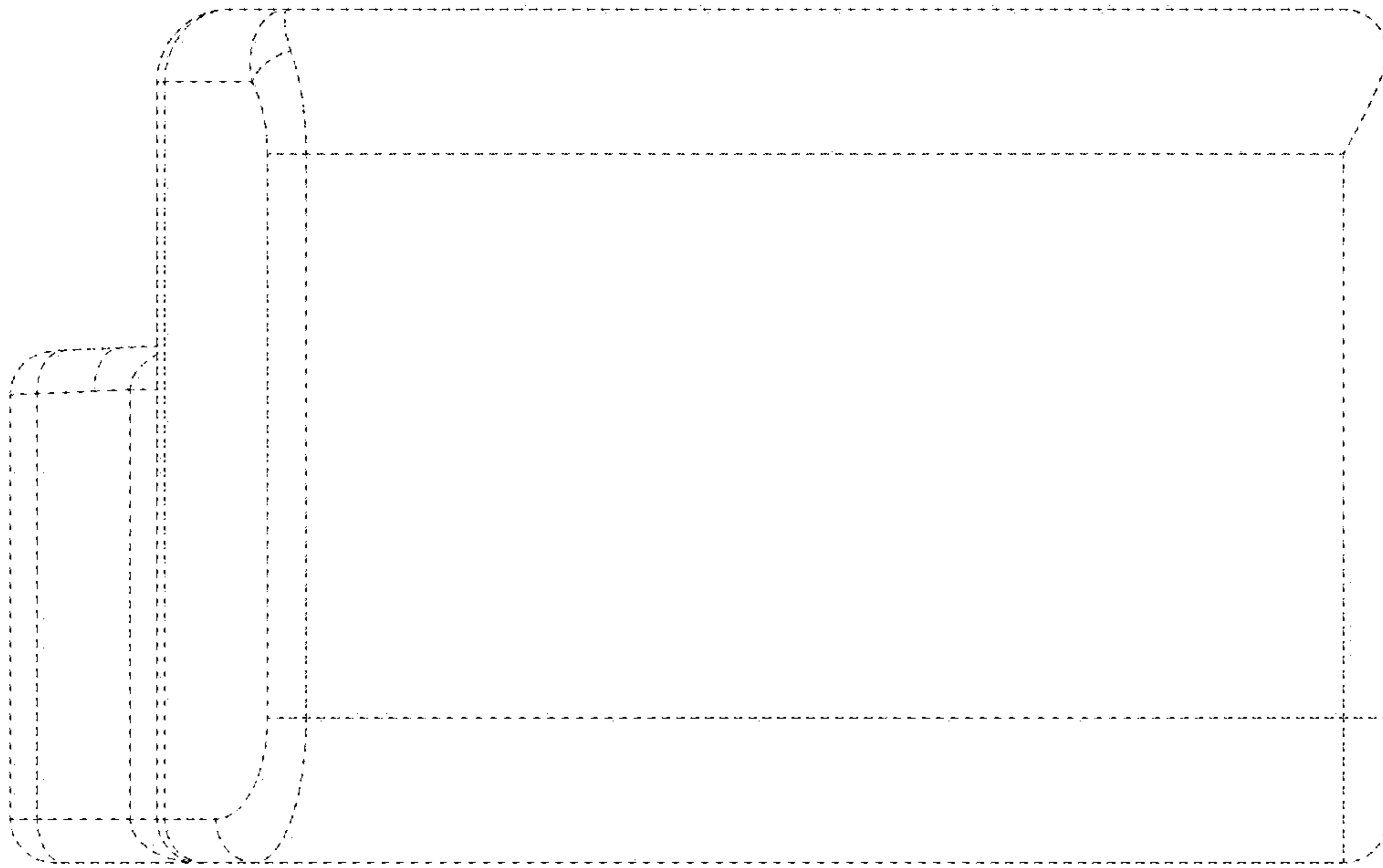


FIG. 5

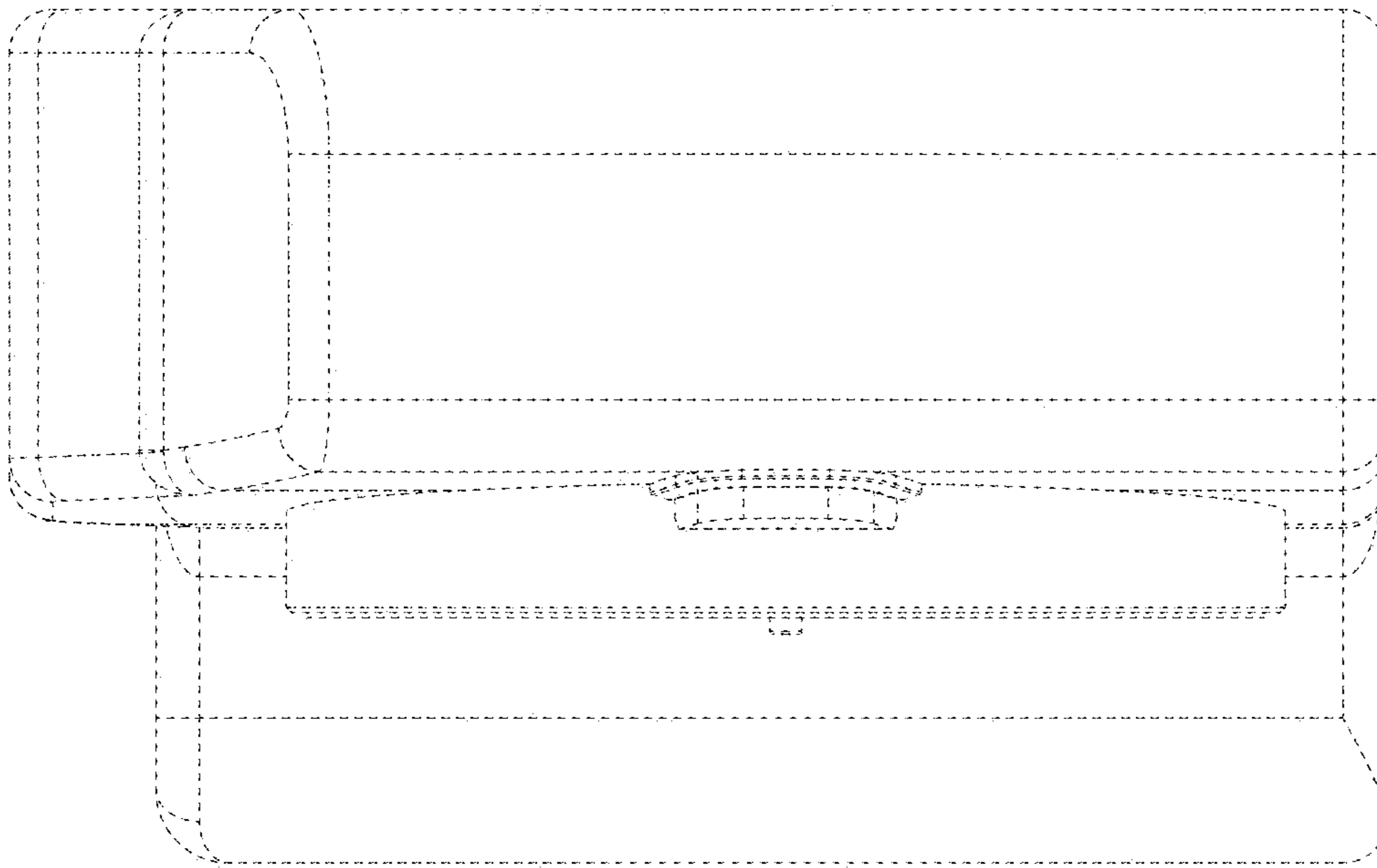


FIG. 6

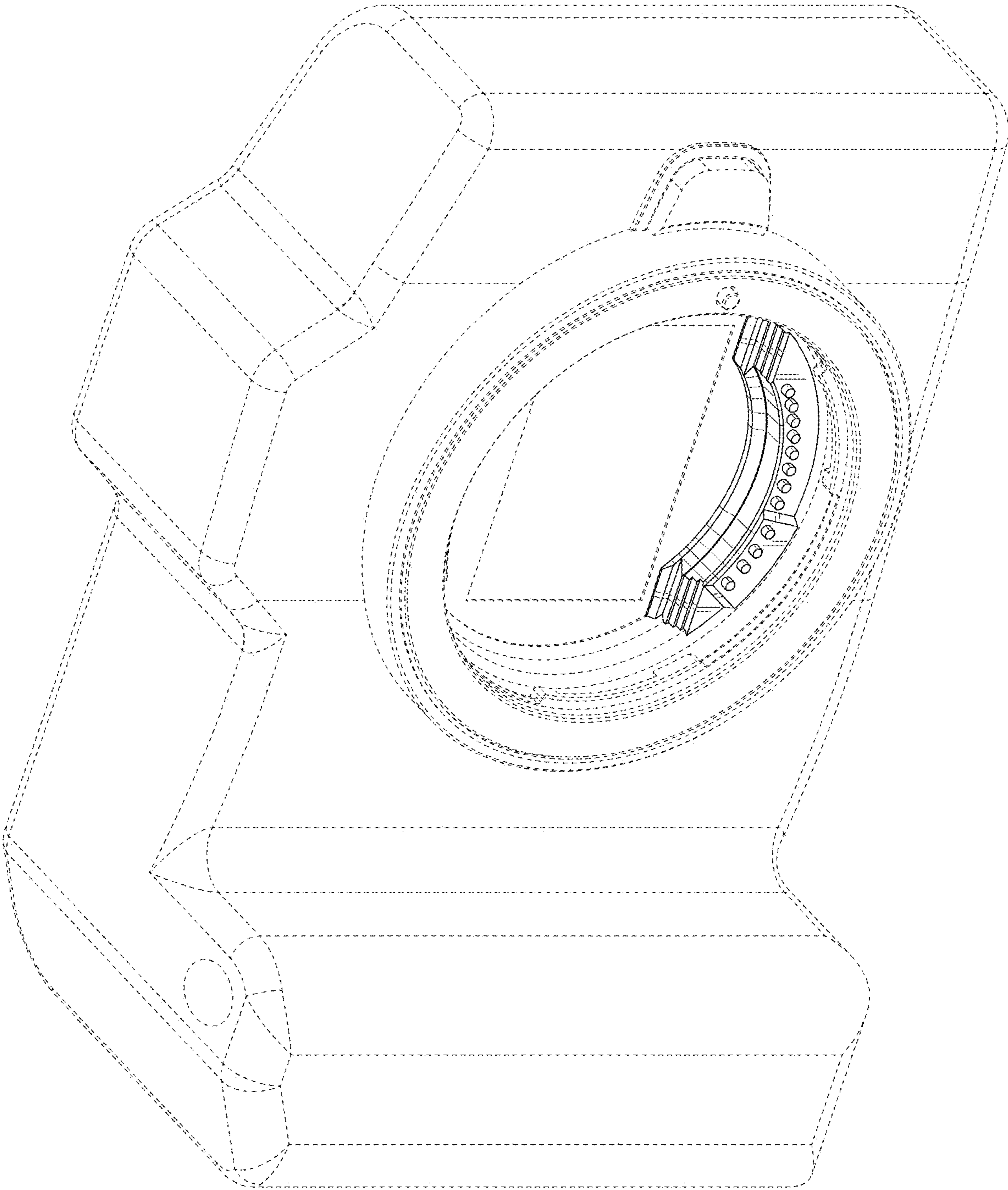


FIG. 7