



US00D941901S

(12) **United States Design Patent**
Chen

(10) **Patent No.:** **US D941,901 S**

(45) **Date of Patent:** **** Jan. 25, 2022**

(54) **NIGHT VISION GOGGLES**

(71) Applicant: **Shenzhen Gaodi Digital Co., Ltd.**,
Guangdong (CN)

(72) Inventor: **Zhujun Chen**, Guangdong (CN)

(**) Term: **15 Years**

(21) Appl. No.: **29/755,462**

(22) Filed: **Oct. 20, 2020**

(51) **LOC (13) Cl.** **16-06**

(52) **U.S. Cl.**
USPC **D16/133**

(58) **Field of Classification Search**
USPC D16/133, 300
CPC . G02B 5/003; G02B 23/12; G02B 2027/0132
See application file for complete search history.

(56) **References Cited**

U.S. PATENT DOCUMENTS

D521,037 S	5/2006	Swift et al.	
D669,107 S	* 10/2012	Yoneda	D16/133
D679,304 S	* 4/2013	Delaney	D16/133
D850,507 S	* 6/2019	Sun	D16/133
D911,410 S	2/2021	An	

OTHER PUBLICATIONS

Creative XP Digital Night Vision Binoculars, posted at amazon.com, posting date Apr. 2, 2020, [online], [site visited Sep. 21, 2021]. Available from Internet, URL: <https://www.amazon.com/CREATIVE-XP-Digital-Binoculars-Darkness/dp/B086PP5K8G/> (Year: 2020).*
GTHUNDER Digital Night Vision Goggles, posted at amazon.com, posting date Nov. 19, 2019, [online], [site visited Sep. 21, 2021]. Available from Internet, URL: <https://www.amazon.com/dp/B081PLDXSG/> (Year: 2019).*

HHY Night Vision Binoculars, posted at amazon.com, posting date Aug. 6, 2020, [online], [site visited Sep. 21, 2021]. Available from Internet, URL: <https://www.amazon.com/dp/B08FMRB8KH/> (Year: 2020).*

Maxlapter Night Vision Binoculars, posted at amazon.com, posting date Oct. 24, 2019, [online], [site visited Sep. 21, 2021]. Available from Internet, URL: <https://www.amazon.com/dp/B087BX3TXG/?th=1> (Year: 2019).*

Newbea Night Vision Goggles, posted at amazon.com, posting date Apr. 18, 2020, [online], [site visited Sep. 21, 2021]. Available from Internet, URL: <https://www.amazon.com/dp/B0878FCY5H/> (Year: 2020).*

Rexing B1 Night Vision Goggles, posted at amazon.com, posting date Aug. 27, 2020, [online], [site visited Sep. 21, 2021]. Available from Internet, URL: <https://www.amazon.com/dp/B08GWGF9KL/> (Year: 2020).*

Sigweis Night Vision Binoculars, posted at amazon.com, posting date Sep. 13, 2020, [online], [site visited Sep. 21, 2021]. Available from Internet, URL: <https://www.amazon.com/dp/B08HXTM26W/> (Year: 2020).*

* cited by examiner

Primary Examiner — Michael C Stout

Assistant Examiner — Maria J. Edwards

(57) **CLAIM**

The ornamental design for night vision goggles, as shown and described.

DESCRIPTION

FIG. 1 is a perspective view of night vision goggles showing my new design;

FIG. 2 is a front elevation view thereof;

FIG. 3 is a rear elevation view thereof;

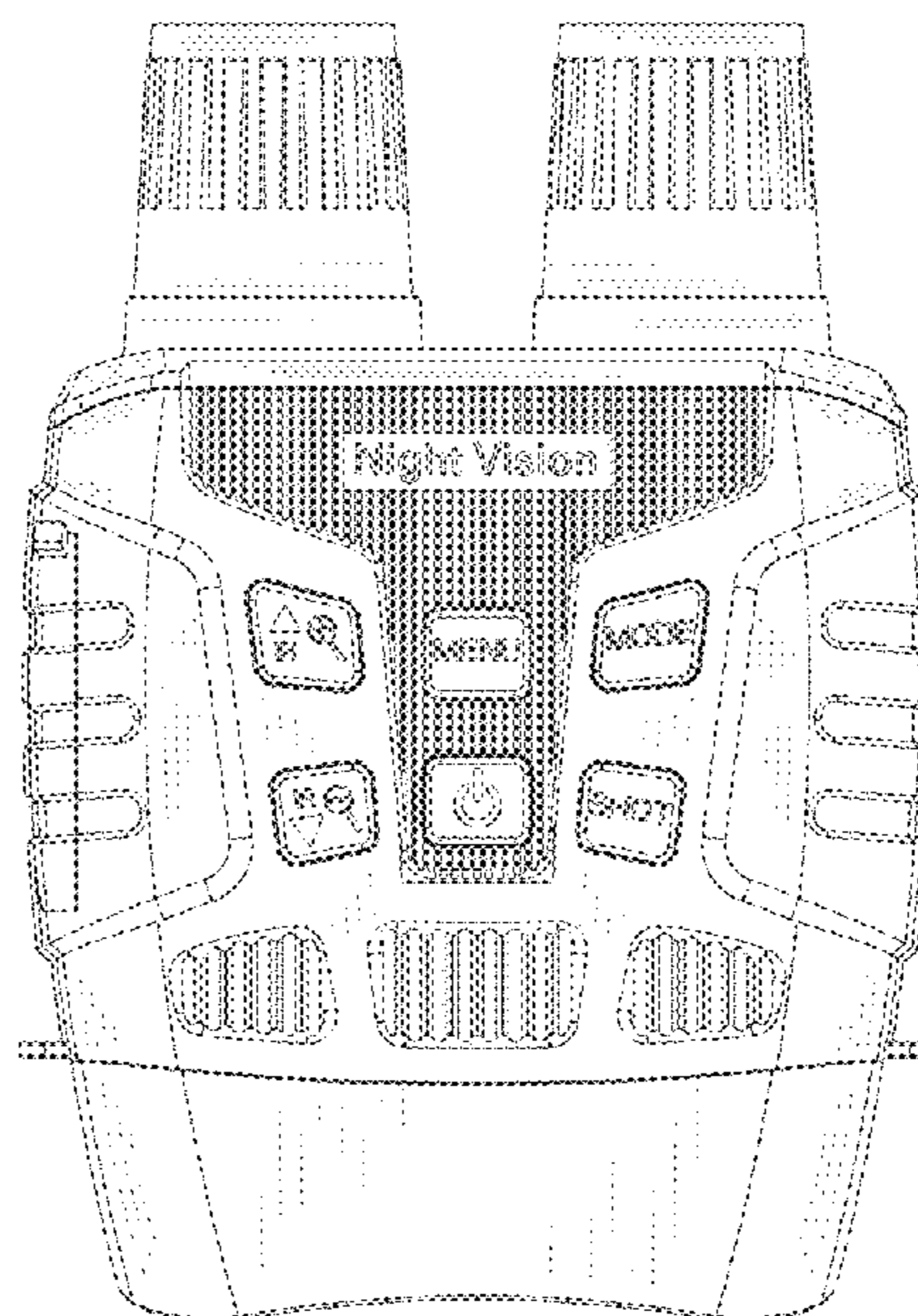
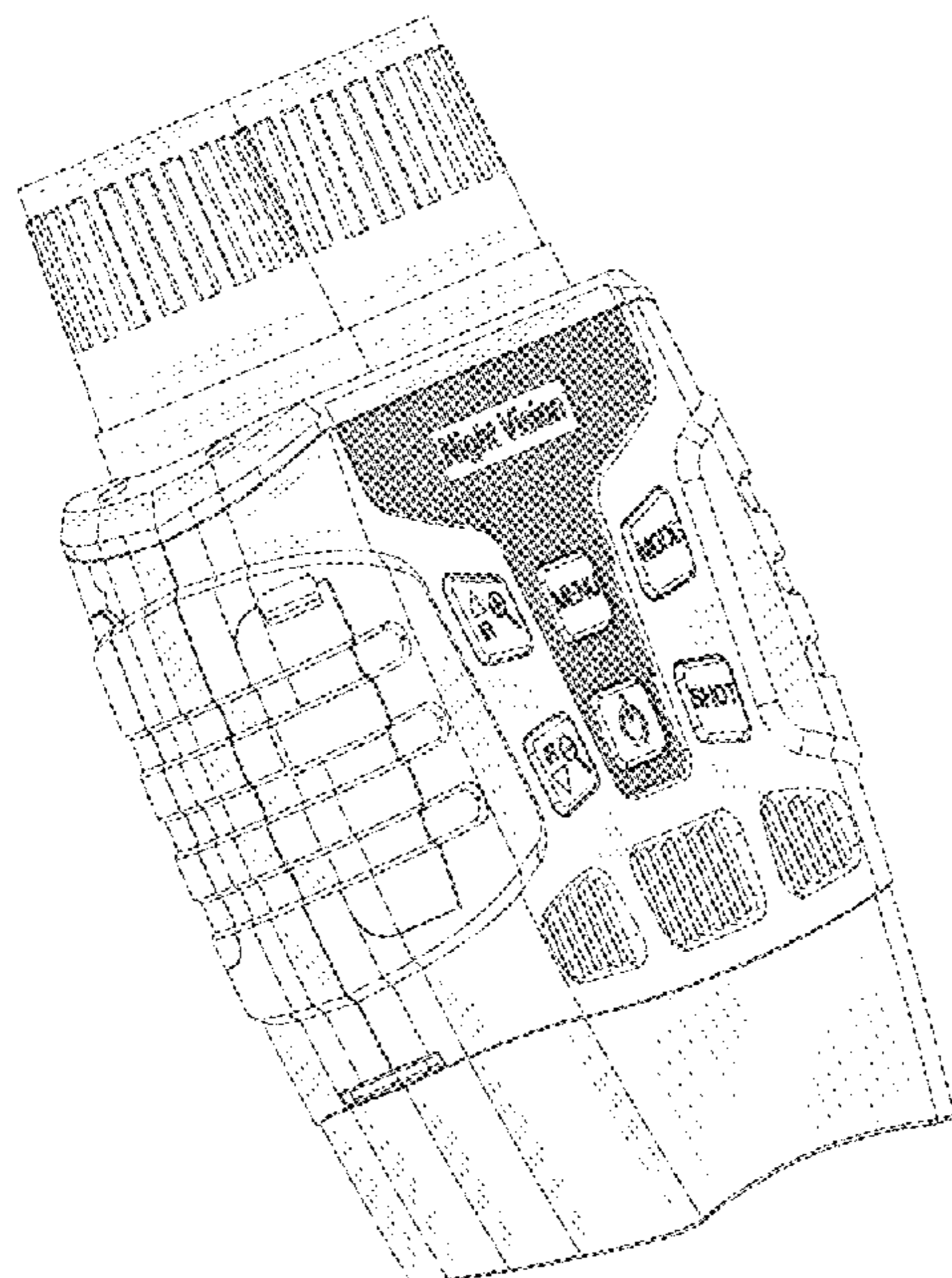
FIG. 4 is a left side elevation view thereof;

FIG. 5 is a right side elevation view thereof;

FIG. 6 is a top plan view thereof; and,

FIG. 7 is a bottom plan view thereof.

1 Claim, 7 Drawing Sheets



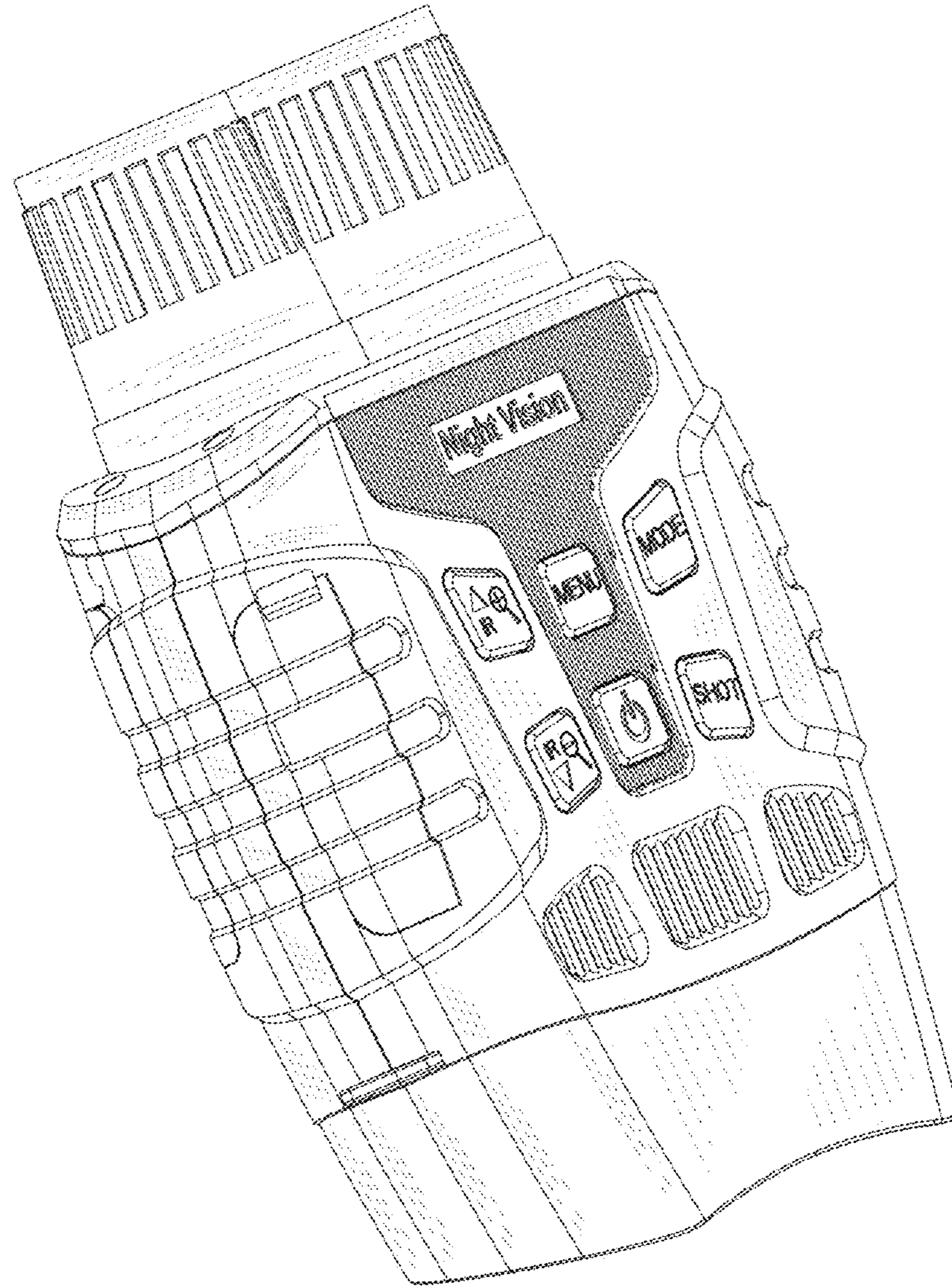


FIG.1

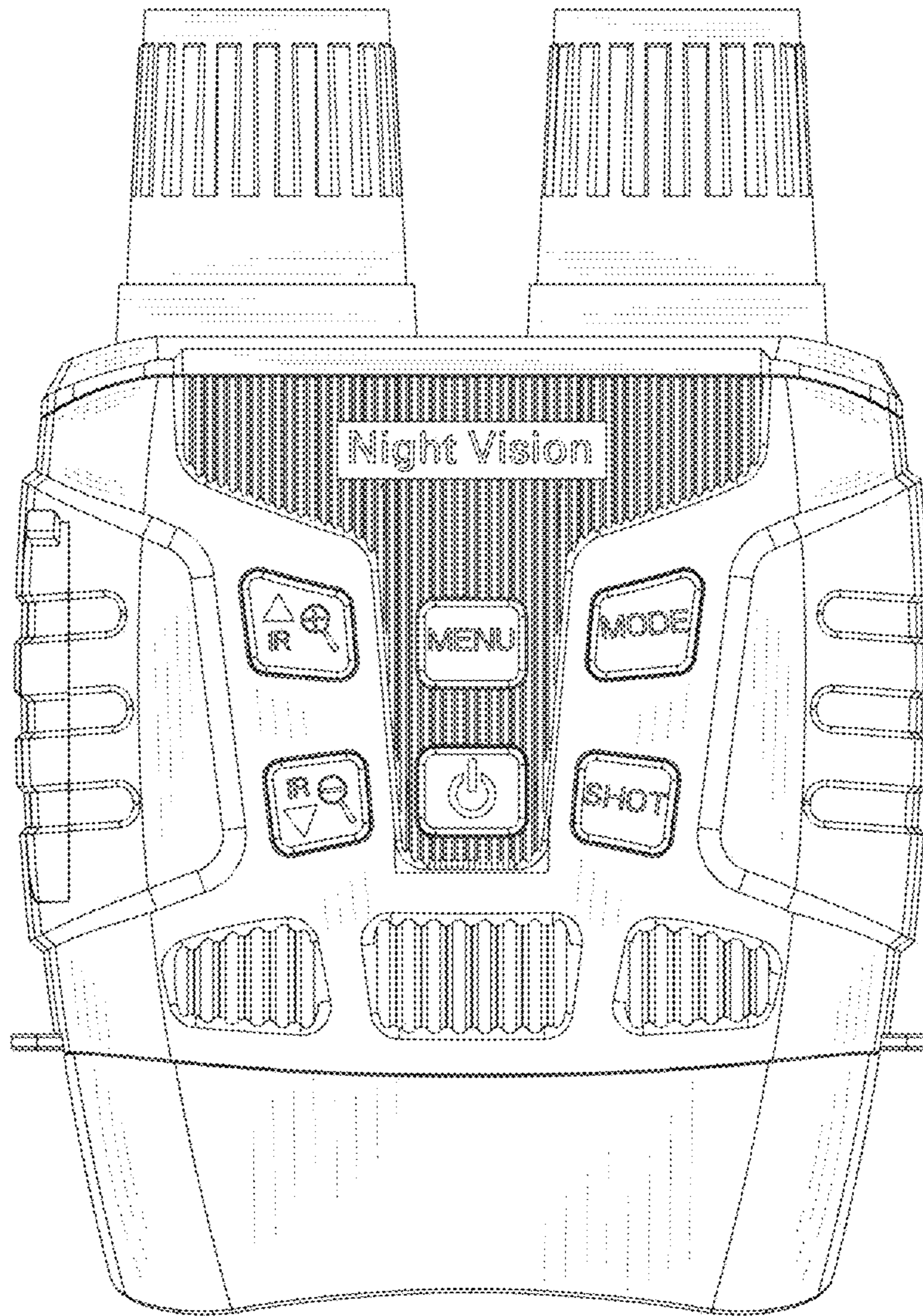


FIG.2

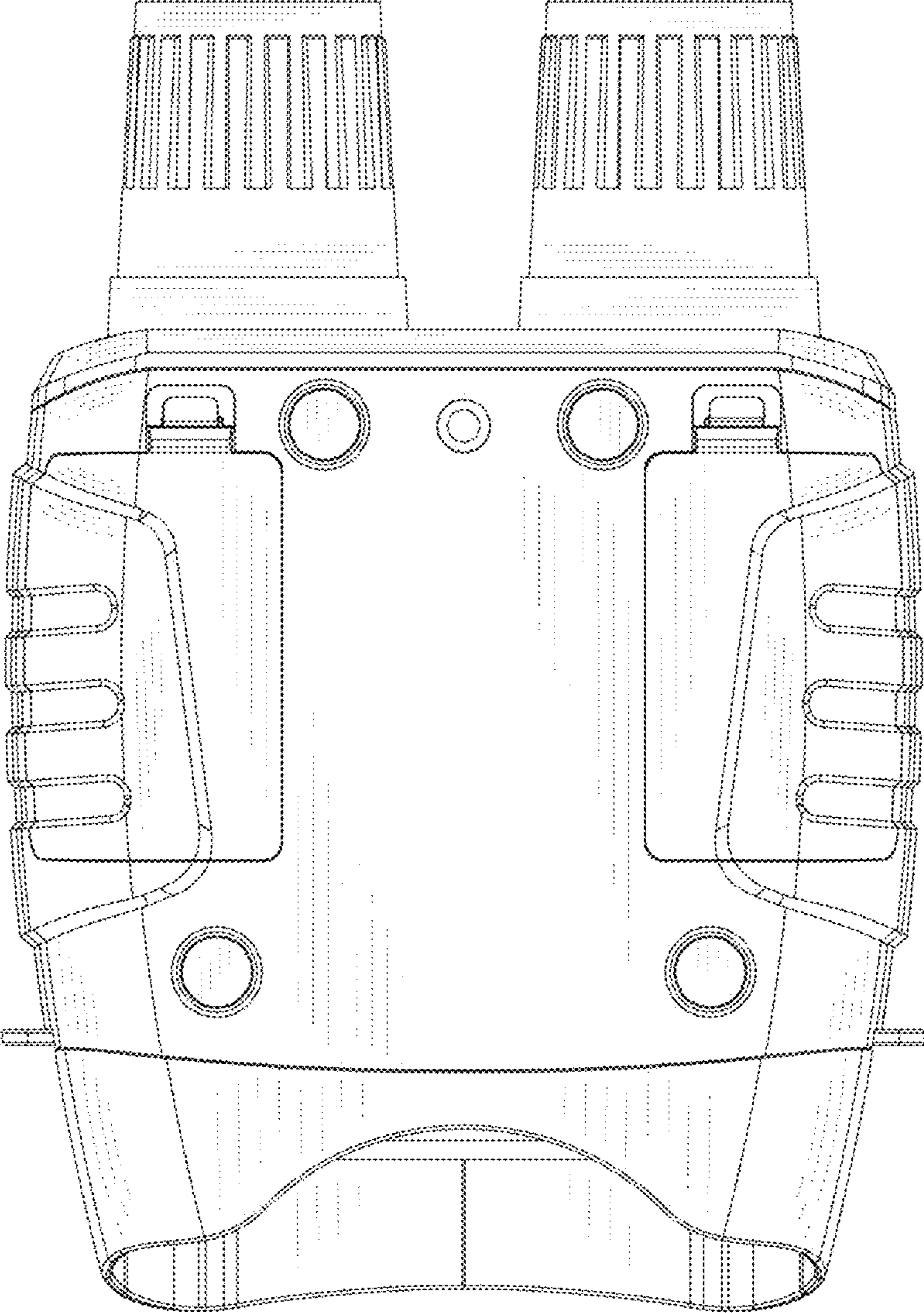


FIG.3

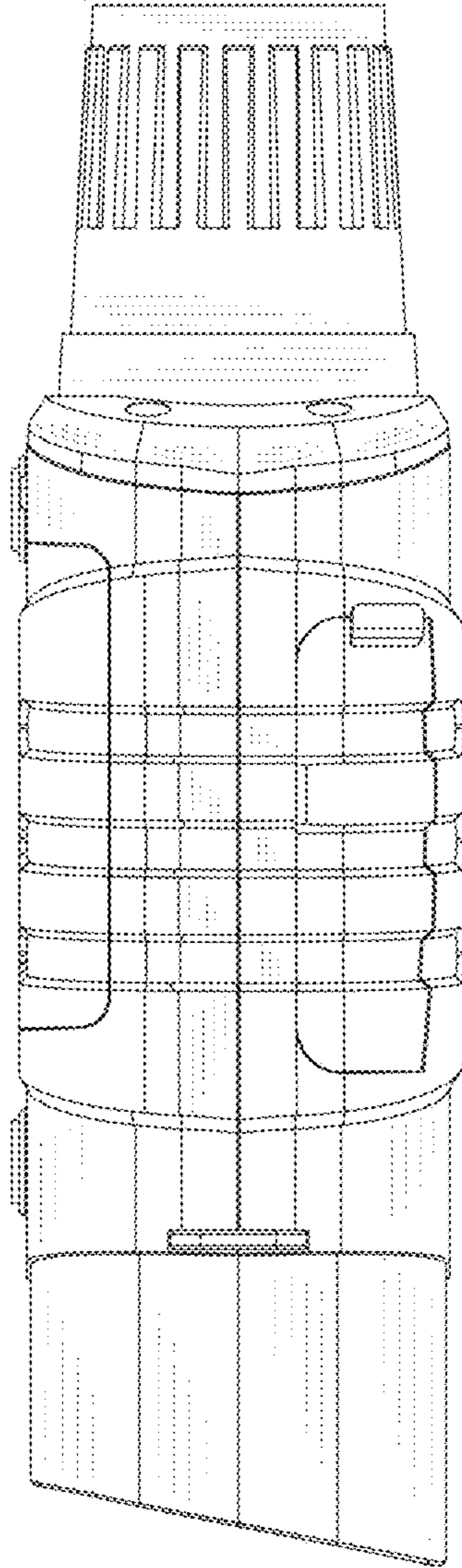


FIG.4

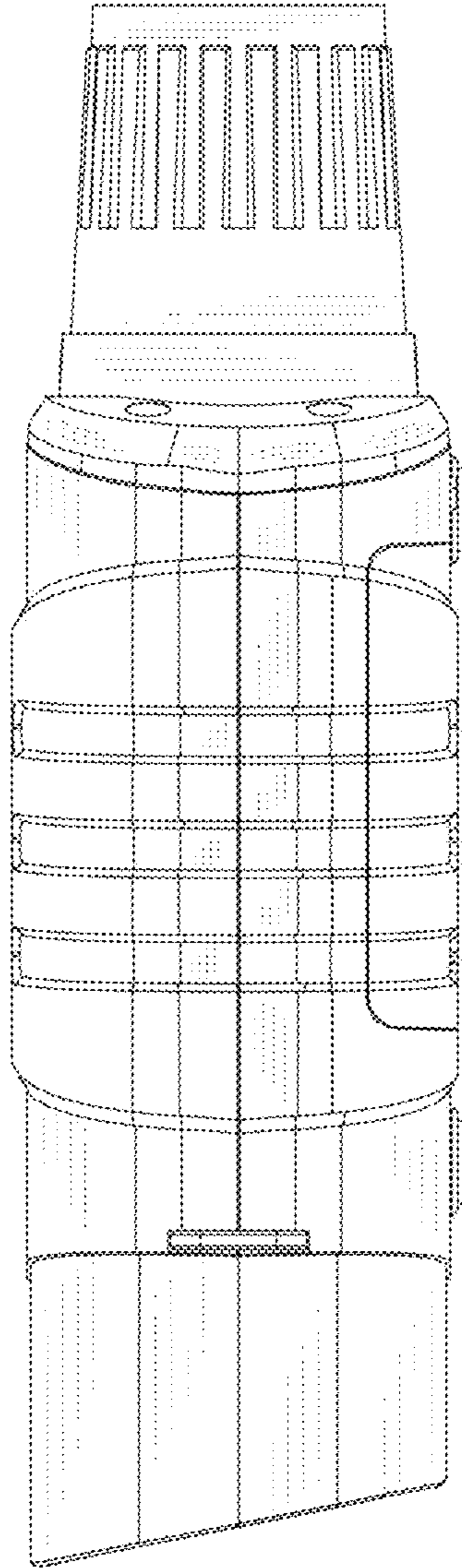


FIG.5

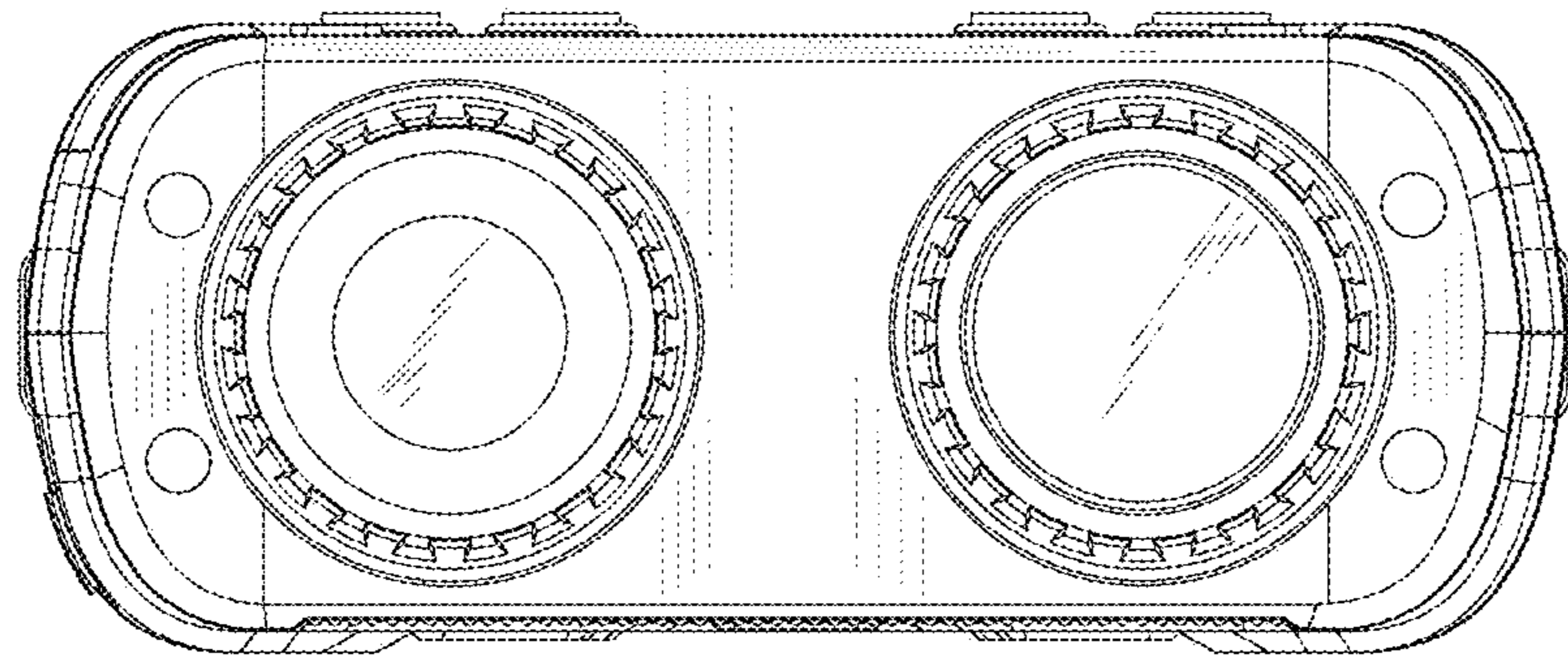


FIG.6

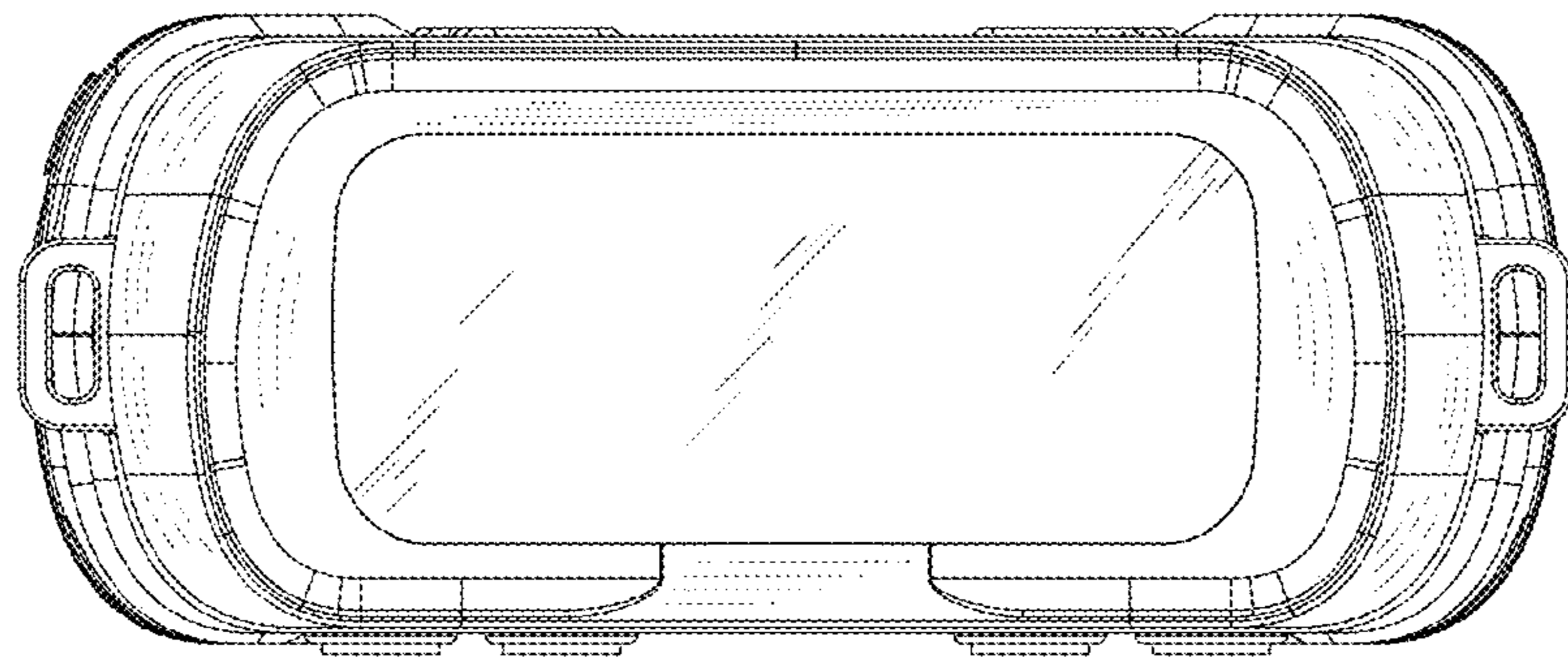


FIG. 7