



US00D941900S

(12) **United States Design Patent**
Jin et al.

(10) **Patent No.:** **US D941,900 S**
(45) **Date of Patent:** **** Jan. 25, 2022**

(54) **ROBOT FOR DELIVERY**

CPC B25J 11/00; B25J 11/008
See application file for complete search history.

(71) Applicant: **NINEBOT (BEIJING) TECH. CO., LTD**, Beijing (CN)

(56) **References Cited**

(72) Inventors: **Zheng Jin**, Beijing (CN); **Liqiang Wu**, Beijing (CN); **Lei Liu**, Beijing (CN); **Ning Wang**, Beijing (CN)

U.S. PATENT DOCUMENTS

D314,401 S * 2/1991 Lehman D20/3
6,561,294 B1 * 5/2003 Kamen B62D 37/00
180/21
6,907,949 B1 * 6/2005 Wang B60L 50/66
180/65.51

(73) Assignee: **Ninebot (Beijing) Tech. Co. Ltd.**, Beijing (CN)

(Continued)

(**) Term: **15 Years**

FOREIGN PATENT DOCUMENTS

CN 304515122 S 2/2018
CN 304912516 S 11/2018

(21) Appl. No.: **35/509,414**

(Continued)

(22) Filed: **Jan. 8, 2020**

Primary Examiner — Richard E Chilcot

(80) **Hague Agreement Data**

(74) *Attorney, Agent, or Firm* — Margaret Polson; Polson Intellectual Property Law, PC

Int. Filing Date: **Jan. 8, 2020**

Int. Reg. No.: **DM/208005**

Int. Reg. Date: **Jan. 8, 2020**

Int. Reg. Pub. Date: **May 22, 2020**

(57) **CLAIM**

The ornamental design for a robot for delivery, as shown and described.

(30) **Foreign Application Priority Data**

Aug. 13, 2019 (CN) 201930438977.5

(51) **LOC (13) Cl.** **15-99**

(52) **U.S. Cl.**

USPC **D15/199**

CPC **B25J 11/00** (2013.01)

(58) **Field of Classification Search**

USPC D15/199; D12/1; D21/419-435, 533,
D21/537, 760, 765, 771; 280/87.021,
280/87.041, 200, 210, 214, 239, 263, 282,
280/288.1-288.4; 180/180, 181, 21, 82,
180/5.26, 6.5, 7.1, 65.8, 907

DESCRIPTION

The patent or application file contains at least one drawing executed in color. Copies of this patent or patent application publication with color drawing(s) will be provided by the Office upon request and payment of the necessary fee.

Robot for delivery

1.1 : is a front view of the robot for delivery.

1.2 : is a back view of Fig. 1.1.

1.3 : is a left view of Fig. 1.1.

1.4 : is a right view of Fig. 1.1.

1.5 : is a top view of Fig. 1.1.

1.6 : is a bottom view of Fig. 1.1.

1.7 is a perspective view of Fig. 1.1.

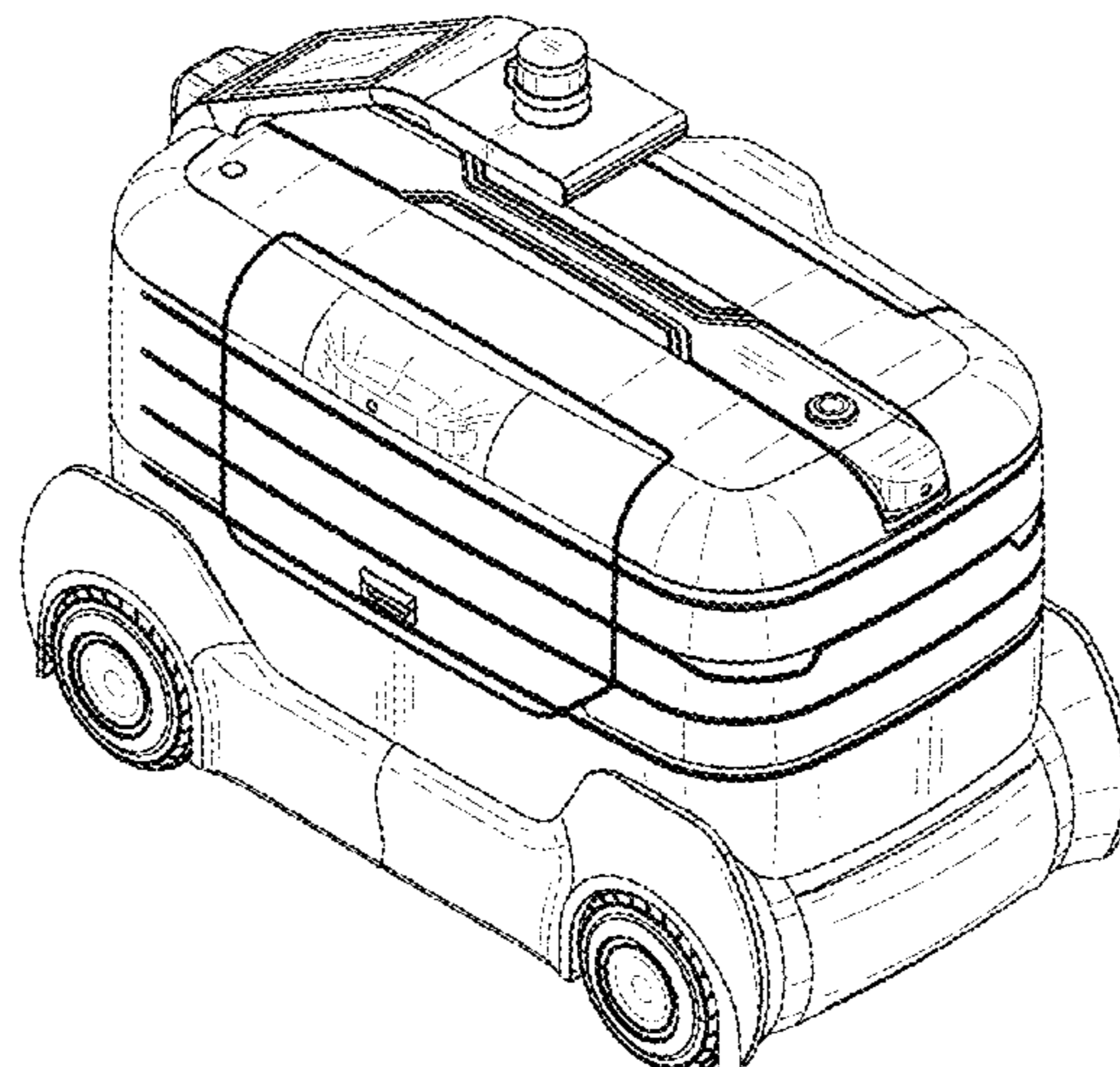
2.1 : is a front view of the robot for delivery.

2.2 : is a back view of Fig. 2.1

2.3 : is a left view of Fig. 2.1

2.4 : is a right view of Fig. 2.1

(Continued)



2.5 : is a top view of Fig. 2.1
 2.6 : is a bottom view of Fig. 2.1
 2.7 : is a perspective view of Fig. 2.1

**1 Claim, 14 Drawing Sheets
 (7 of 14 Drawing Sheet(s) Filed in Color)**

(56) **References Cited**

U.S. PATENT DOCUMENTS

7,171,286 B2 * 1/2007 Wang G16H 40/67
 700/248
 D549,756 S * 8/2007 Park D15/199
 D572,739 S * 7/2008 Jennings D15/199
 D579,035 S * 10/2008 Kim B25J 11/008
 D15/199
 D594,492 S * 6/2009 Stratton D15/199
 D608,804 S * 1/2010 Labak D15/199
 7,703,568 B2 * 4/2010 Ishii G05D 1/0891
 180/218
 7,784,206 B2 * 8/2010 Trainer G09F 15/0087
 40/586
 D627,377 S * 11/2010 Wiley D15/199
 D644,256 S * 8/2011 Kitano D15/199
 8,201,653 B2 * 6/2012 Strassman B60N 2/002
 180/218
 D701,256 S * 3/2014 Song D15/199
 8,800,697 B2 * 8/2014 Hoffmann B62J 25/00
 180/21
 D722,631 S * 2/2015 Stone D15/199
 D722,632 S * 2/2015 Stone D15/199
 D725,167 S * 3/2015 Song D15/199
 D732,096 S * 6/2015 Jang D15/199
 D735,258 S * 7/2015 Jang D15/199
 9,085,334 B2 * 7/2015 Hoffmann B60L 7/12
 D739,450 S * 9/2015 Jain D15/199
 9,188,984 B2 * 11/2015 Kamen B62K 11/007
 D752,668 S * 3/2016 Pedersen D15/199
 D761,339 S * 7/2016 White, Jr. D15/199
 9,545,963 B2 * 1/2017 Kamen B60G 11/14
 D802,040 S * 11/2017 Canoso D15/199
 D805,568 S * 12/2017 Ke D15/199
 D810,167 S * 2/2018 Yang D15/199
 D810,800 S * 2/2018 Wang D15/199
 D811,458 S * 2/2018 Wang D15/199
 D813,281 S * 3/2018 Kittmann D15/199
 D816,119 S * 4/2018 Pu D15/1
 D816,778 S * 5/2018 Yang D21/421
 D817,375 S * 5/2018 Deyle D15/199
 D818,020 S * 5/2018 McGinn D15/199
 D819,711 S * 6/2018 Li D15/199
 D819,712 S * 6/2018 Gee D15/199
 D820,157 S * 6/2018 Chen D12/1
 D820,334 S * 6/2018 Lee D15/199

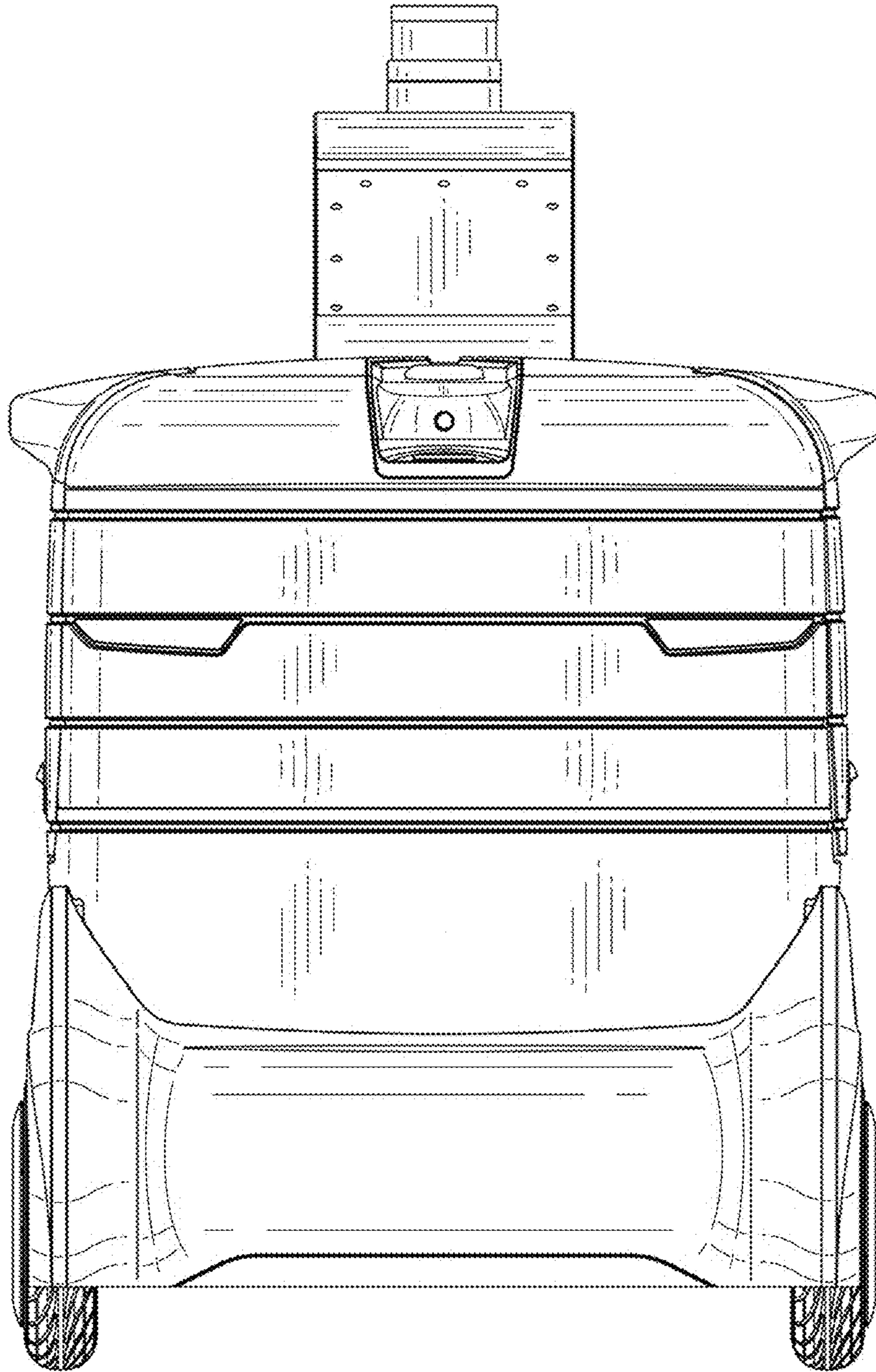
D822,736 S * 7/2018 Kato D15/199
 D822,737 S * 7/2018 Kato D15/199
 D822,738 S * 7/2018 Kato D15/199
 D823,366 S * 7/2018 Kato D15/199
 D826,302 S * 8/2018 Tsukamoto D15/199
 D829,250 S * 9/2018 Zilbershtein D15/199
 D829,251 S * 9/2018 Wang D15/199
 D829,252 S * 9/2018 Wang D15/199
 D829,793 S * 10/2018 Wang D15/199
 D834,080 S * 11/2018 Tsukamoto D15/199
 D835,544 S * 12/2018 Liu D12/1
 D837,855 S * 1/2019 Chen D15/199
 D839,940 S * 2/2019 McGinn D15/199
 D840,451 S * 2/2019 Yoo D15/199
 D840,452 S * 2/2019 Yoo D15/199
 D840,453 S * 2/2019 Yoo D15/199
 D841,067 S * 2/2019 Camporesi D15/199
 D841,711 S * 2/2019 Liu D15/199
 D843,428 S * 3/2019 Gee D15/199
 D846,616 S * 4/2019 Deyle D15/199
 D849,813 S * 5/2019 Sutherland D15/199
 D852,860 S * 7/2019 Lee D15/199
 D852,861 S * 7/2019 Lee D15/199
 D854,595 S * 7/2019 Gayne D15/199
 D855,673 S * 8/2019 Sutherland D15/199
 D856,389 S * 8/2019 Gayne D15/199
 D857,073 S * 8/2019 Gayne D15/199
 D857,074 S * 8/2019 Kim D15/199
 D859,485 S * 9/2019 Sutherland D15/199
 D862,551 S * 10/2019 Chen D15/199
 D864,271 S * 10/2019 Lai D15/199
 D866,628 S * 11/2019 Xi D15/199
 D868,864 S * 12/2019 Lachenmeier D15/199
 D869,533 S * 12/2019 Kim D15/199
 D870,787 S * 12/2019 Kim D15/199
 D870,788 S * 12/2019 Kim D15/199
 D872,788 S * 1/2020 Sutherland D15/199
 D873,738 S * 1/2020 Armigliato D12/174
 D877,786 S * 3/2020 Gayne D15/199
 D881,961 S * 4/2020 Bergeron D15/199
 D884,043 S * 5/2020 Song D15/199
 2005/0134014 A1 * 6/2005 Xie B62D 51/02
 280/93.502
 2006/0202439 A1 * 9/2006 Kahlert B62K 11/007
 280/47.24

FOREIGN PATENT DOCUMENTS

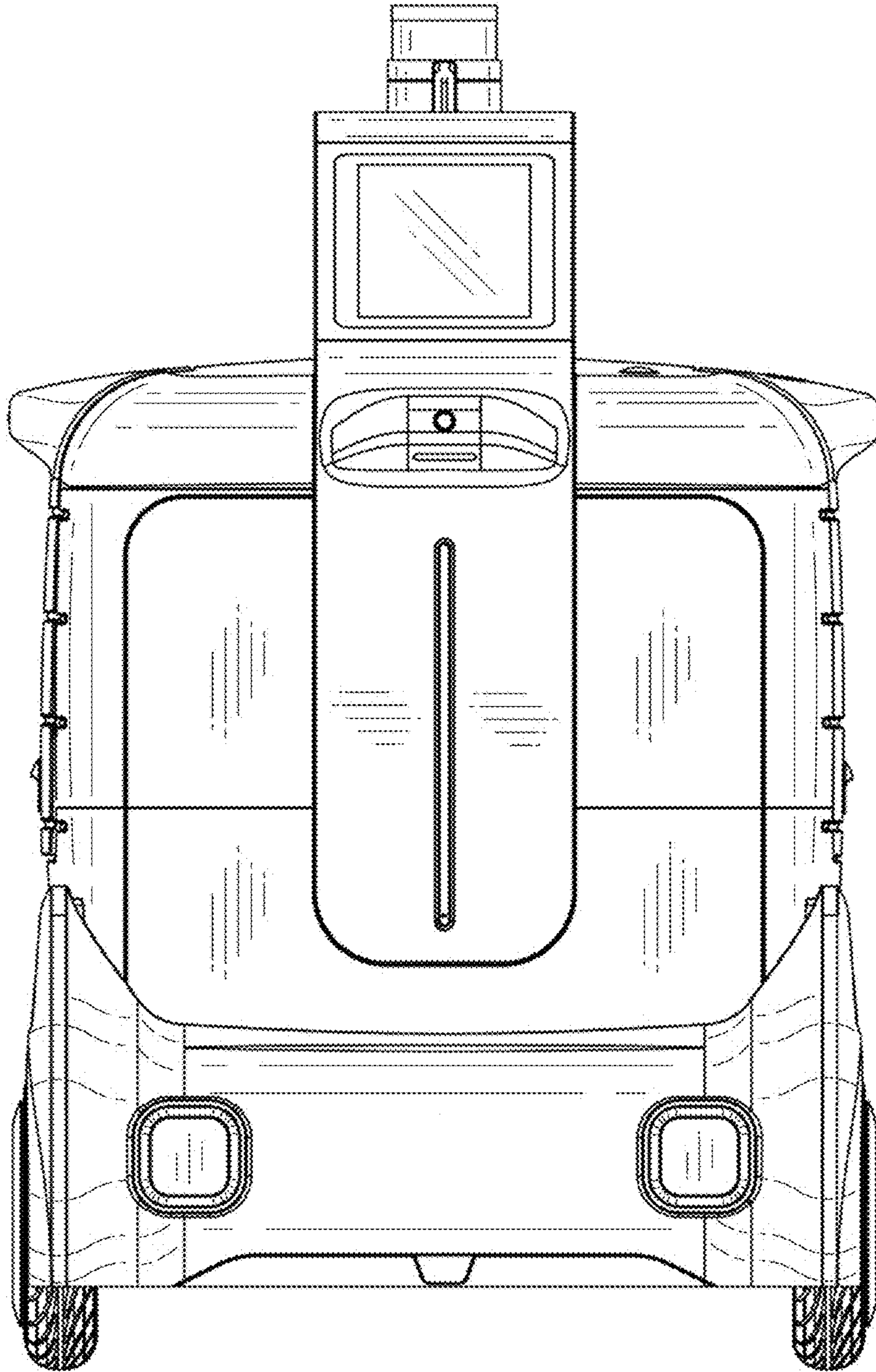
CN 304962888 S 12/2018
 CN 304981179 S 1/2019
 CN 304991989 S 1/2019
 CN 305009310 S 1/2019
 CN 305209573 S 6/2019
 JP 1497270 S 5/2014
 JP 1625110 S 2/2019
 KR 0715771 S 11/2013

* cited by examiner

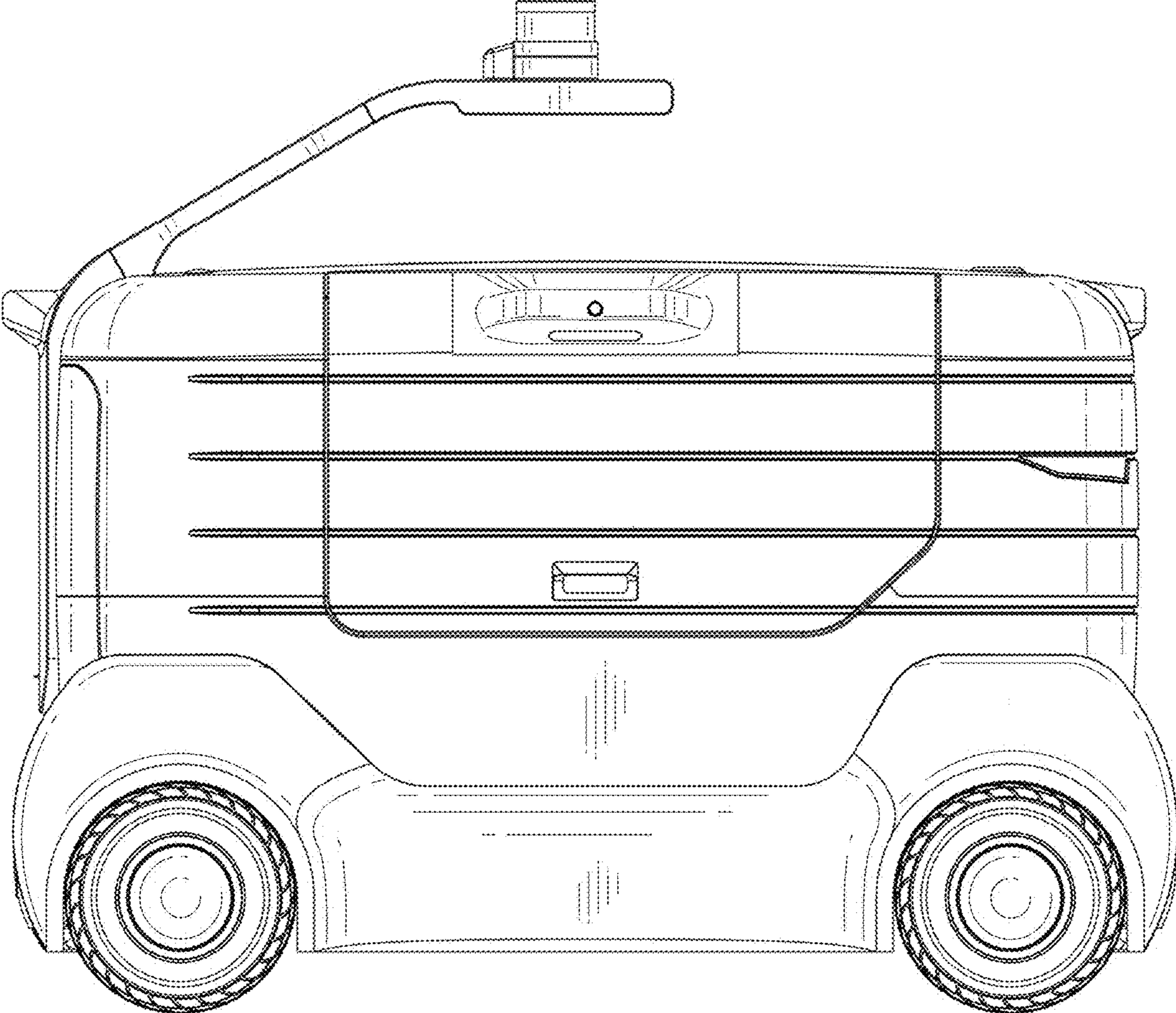
1.1



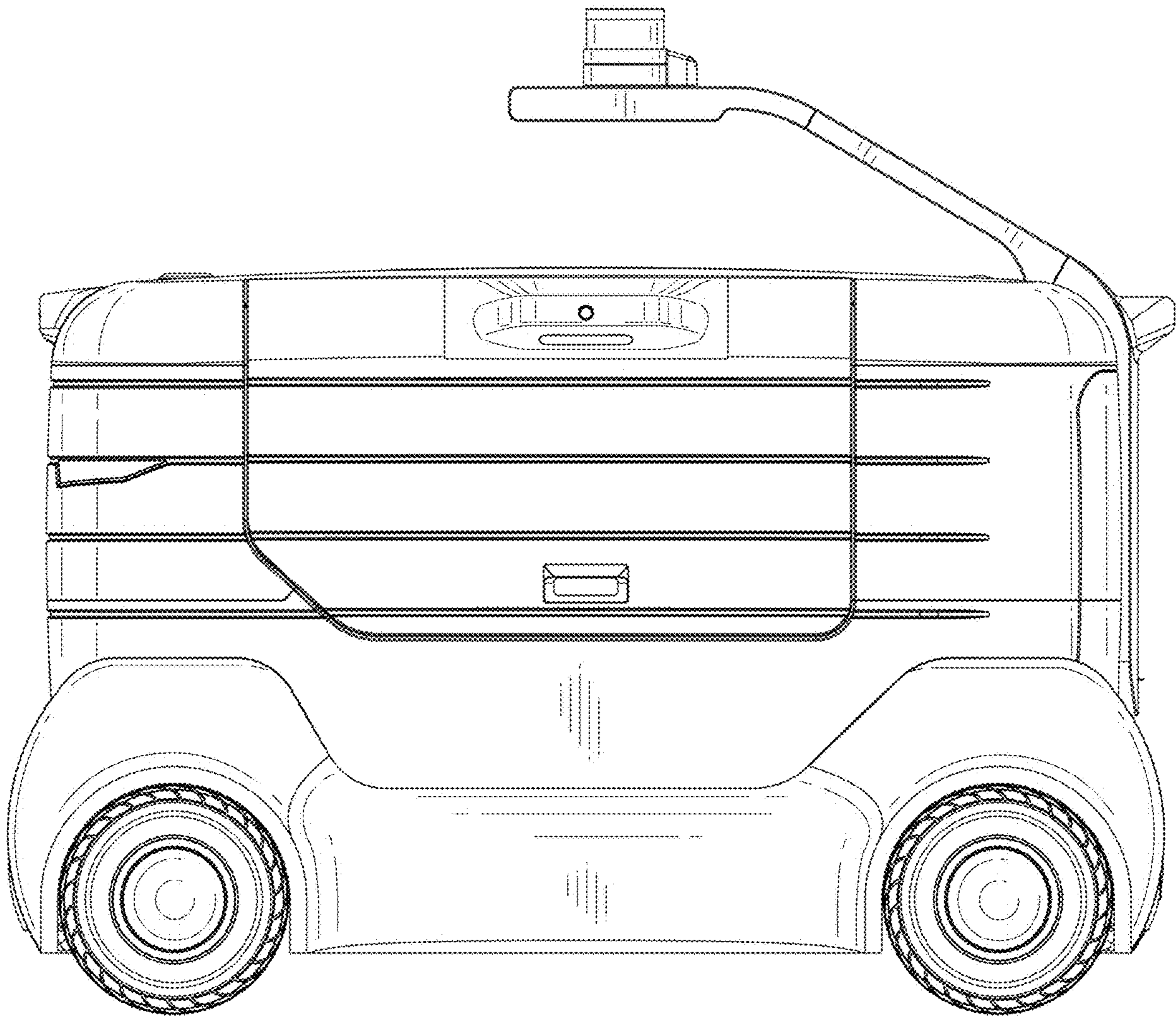
1.2



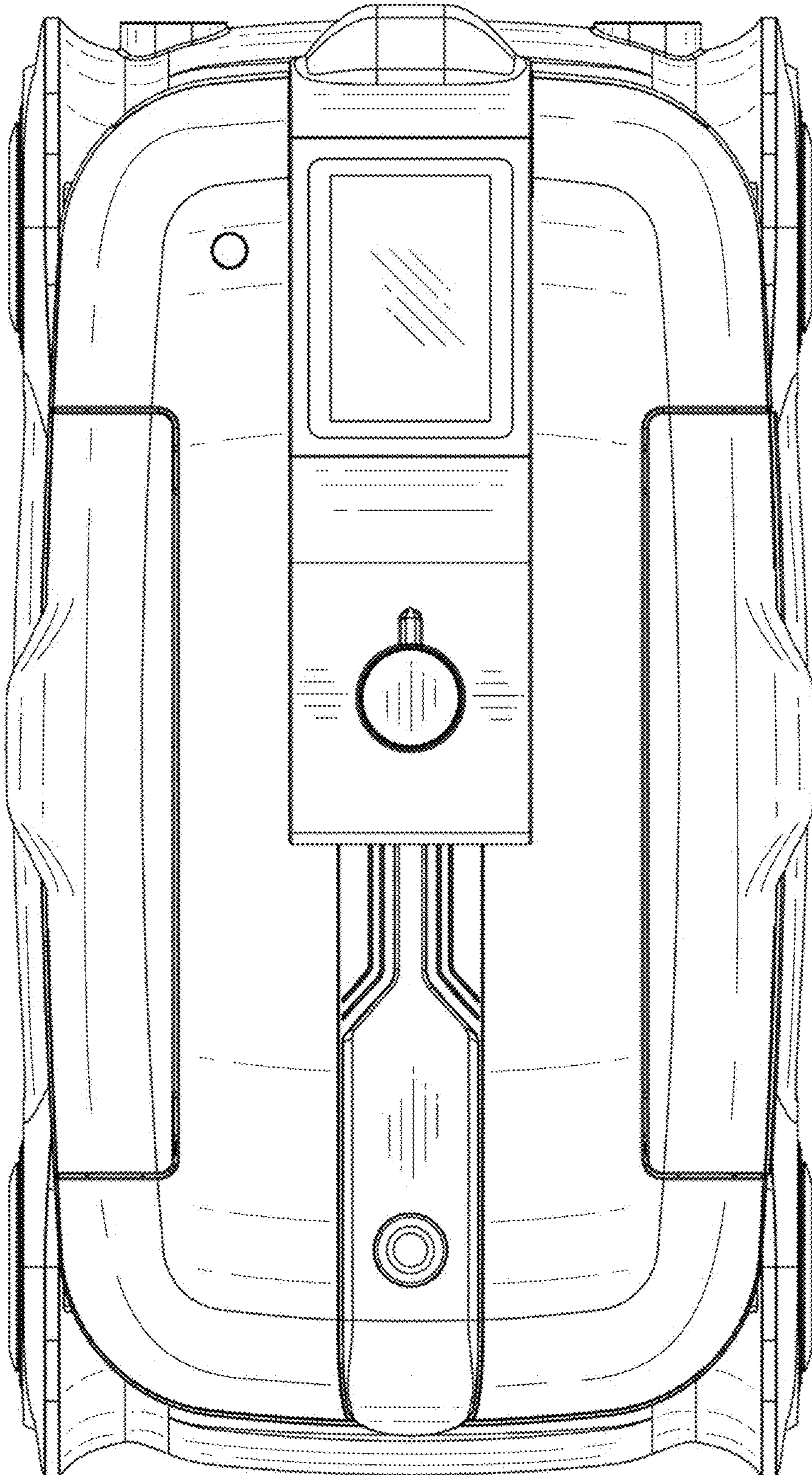
1.3



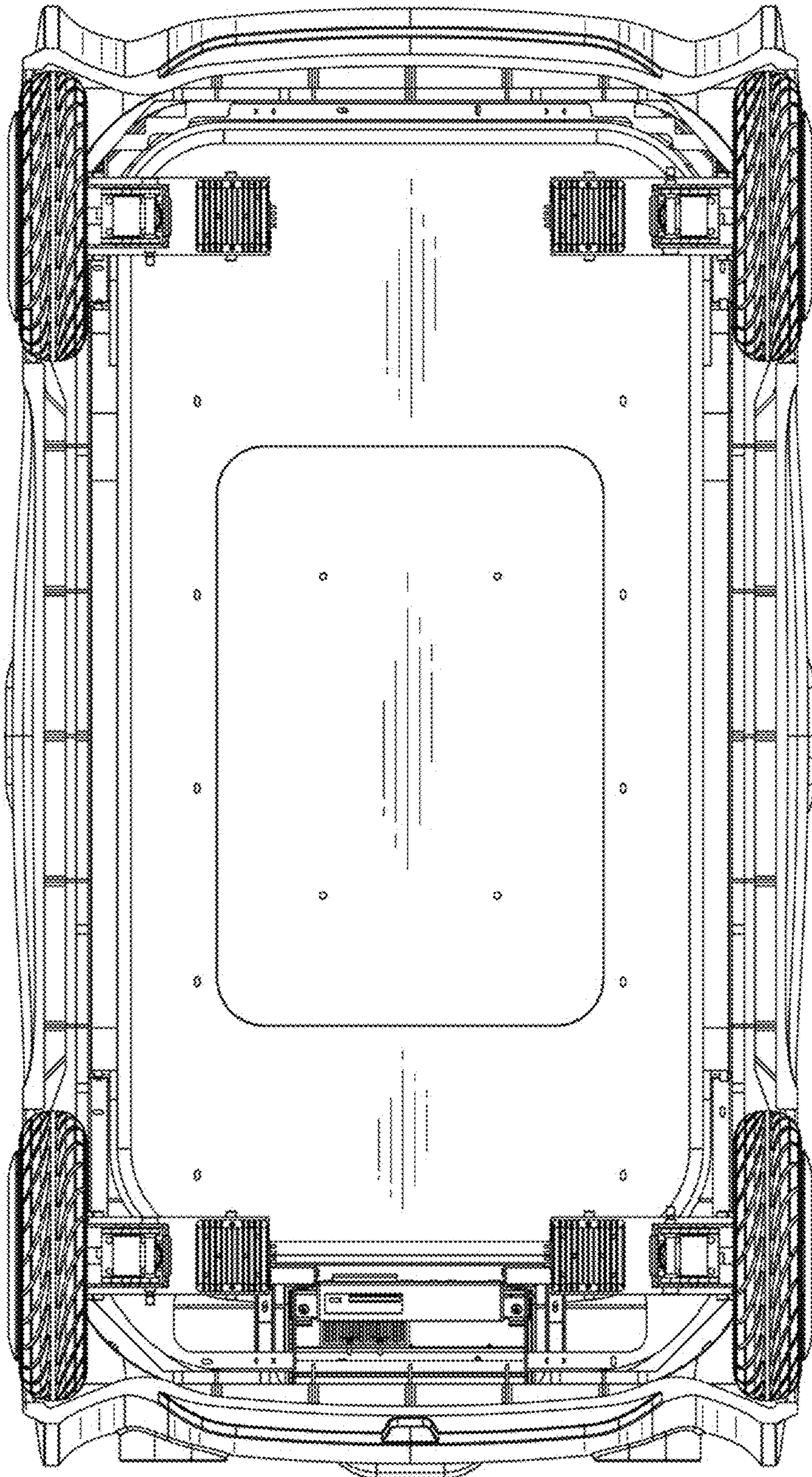
1.4



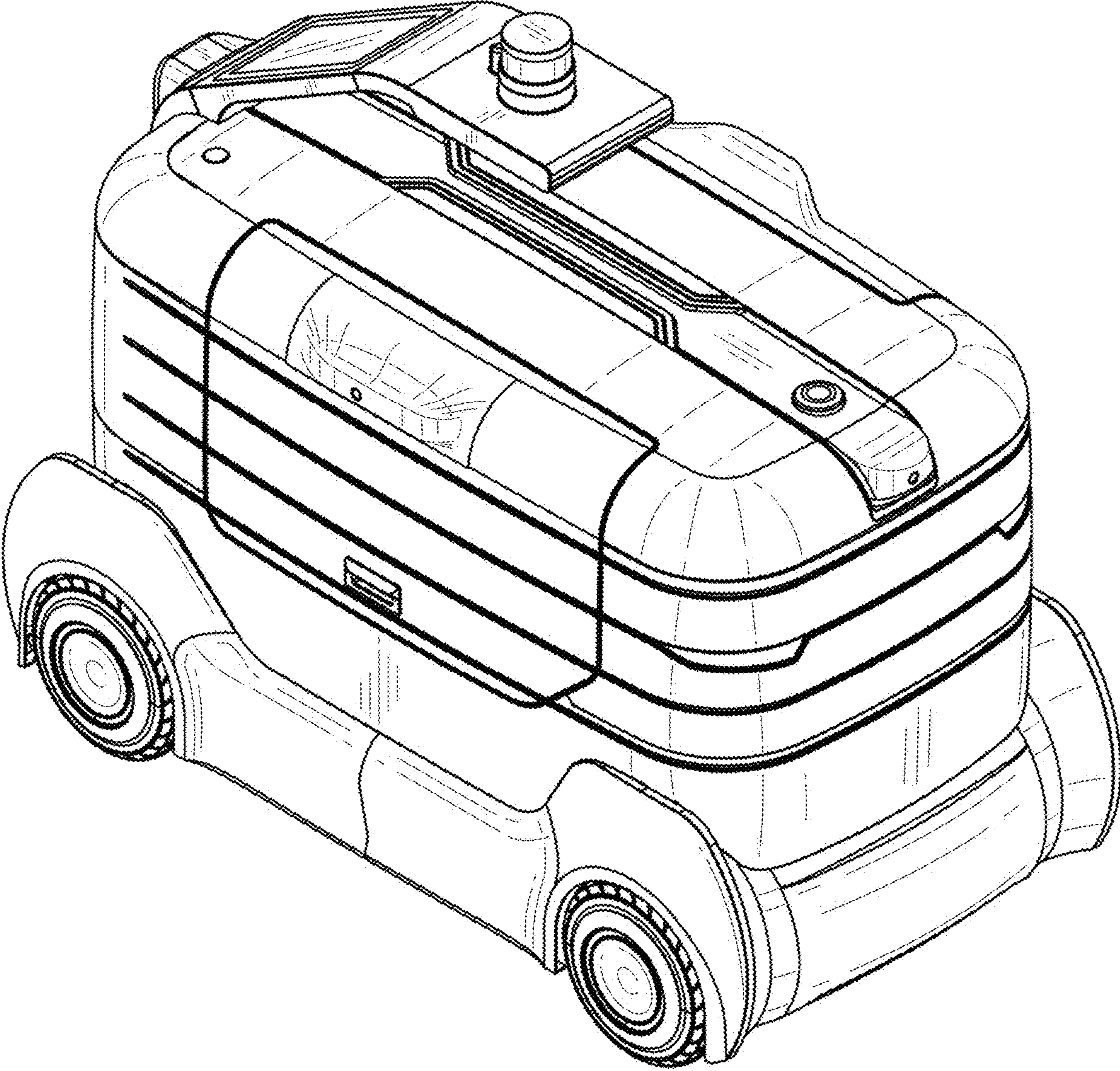
1.5



1.6



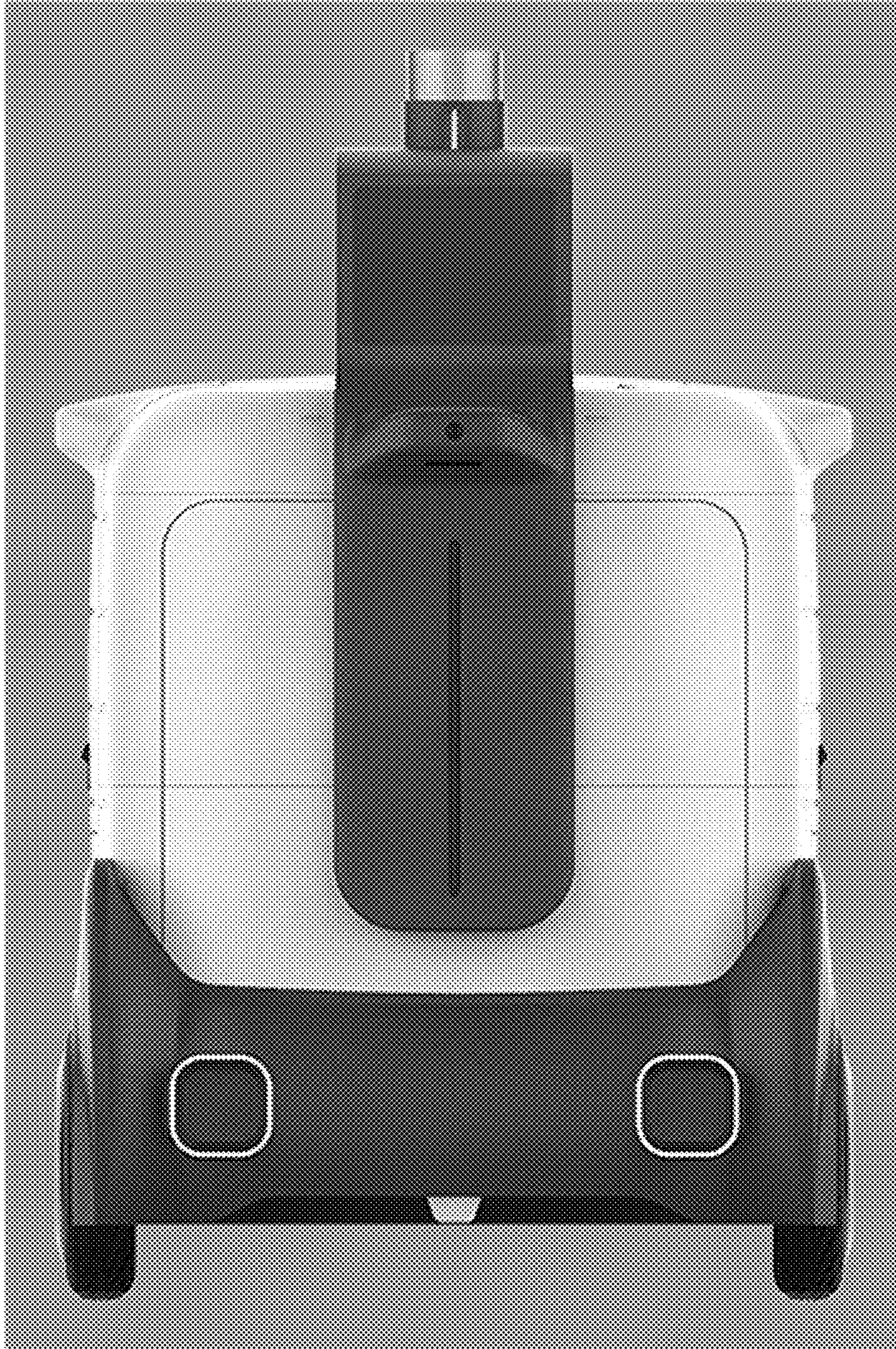
1.7



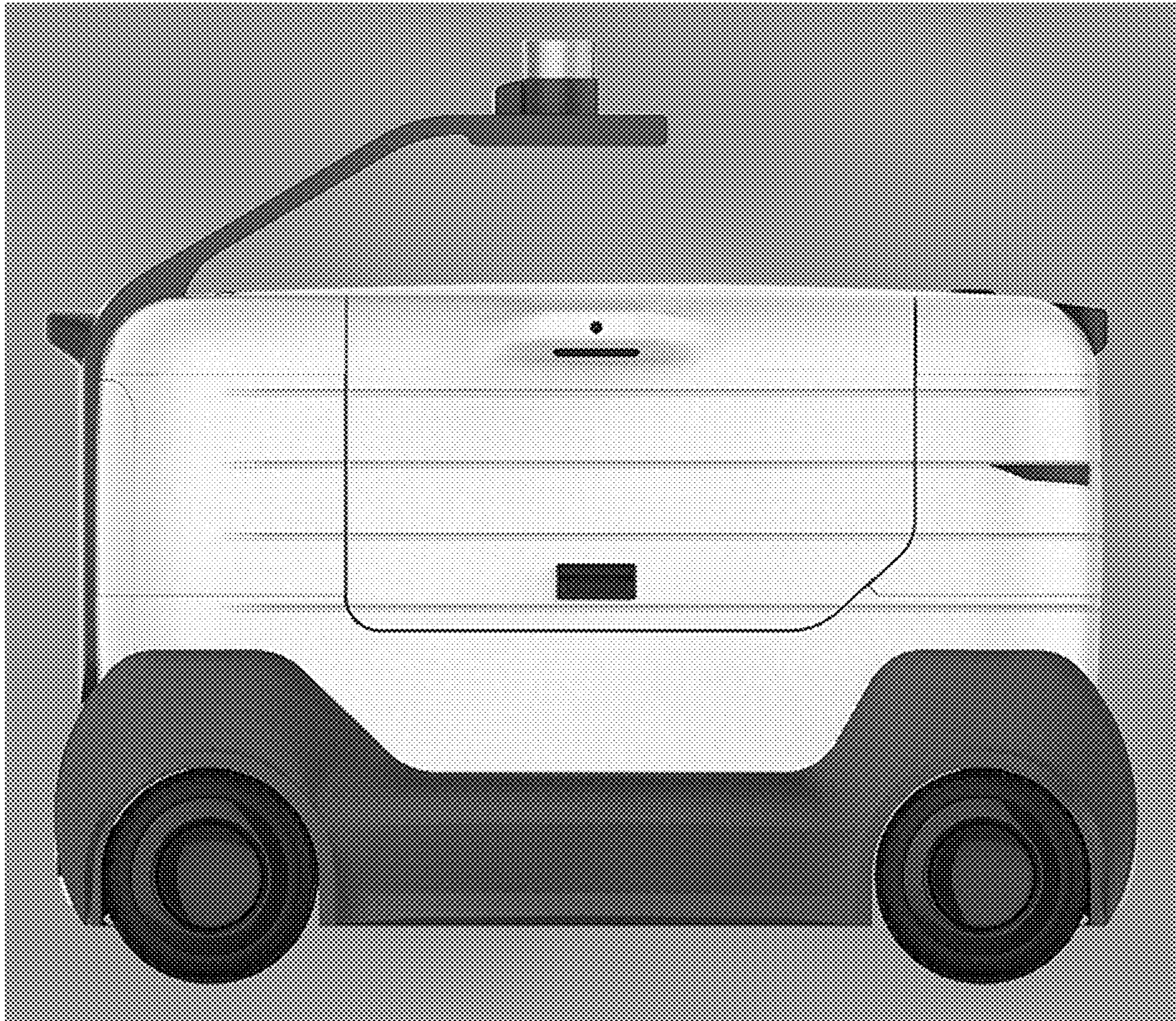
2.1



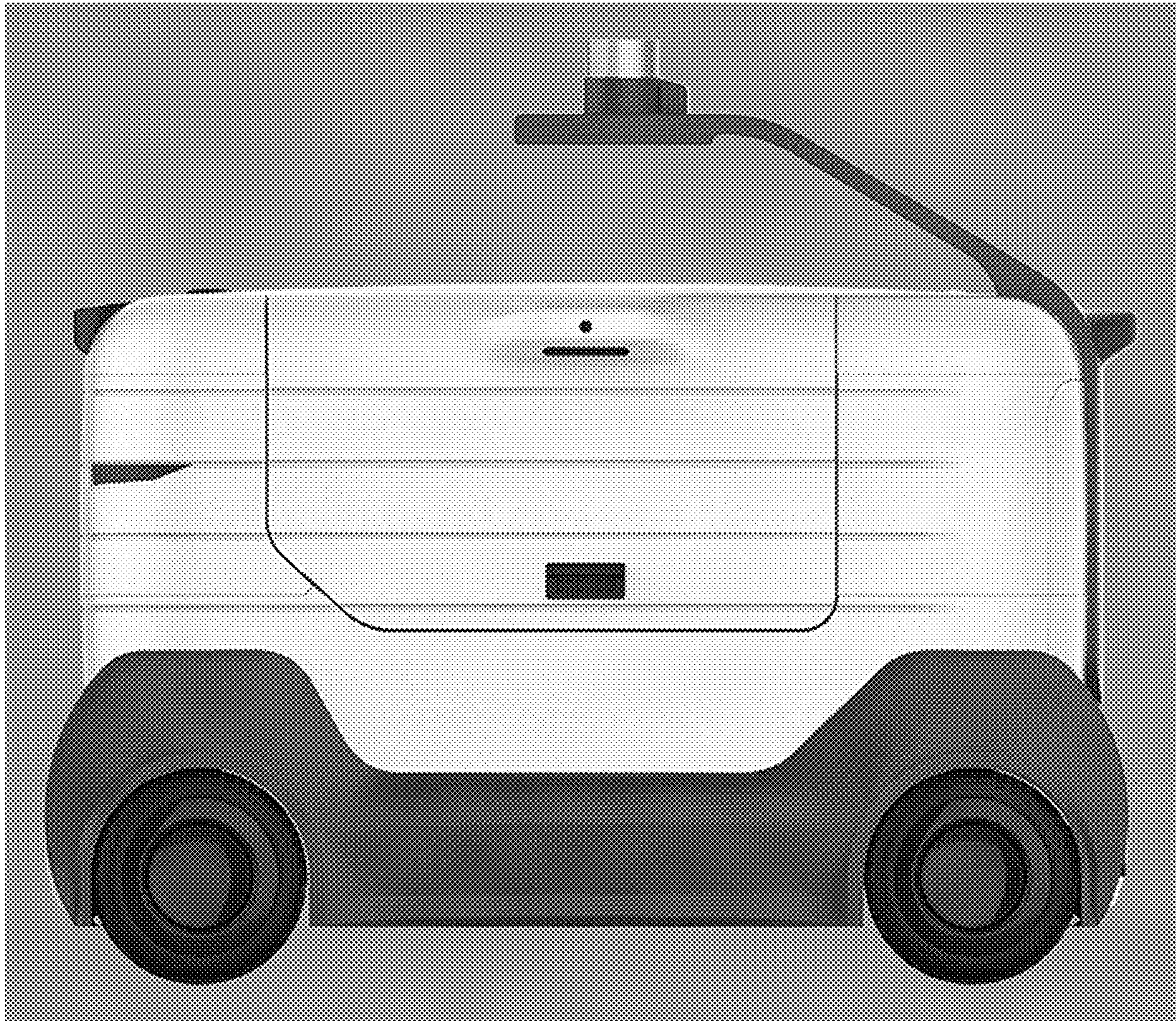
2.2



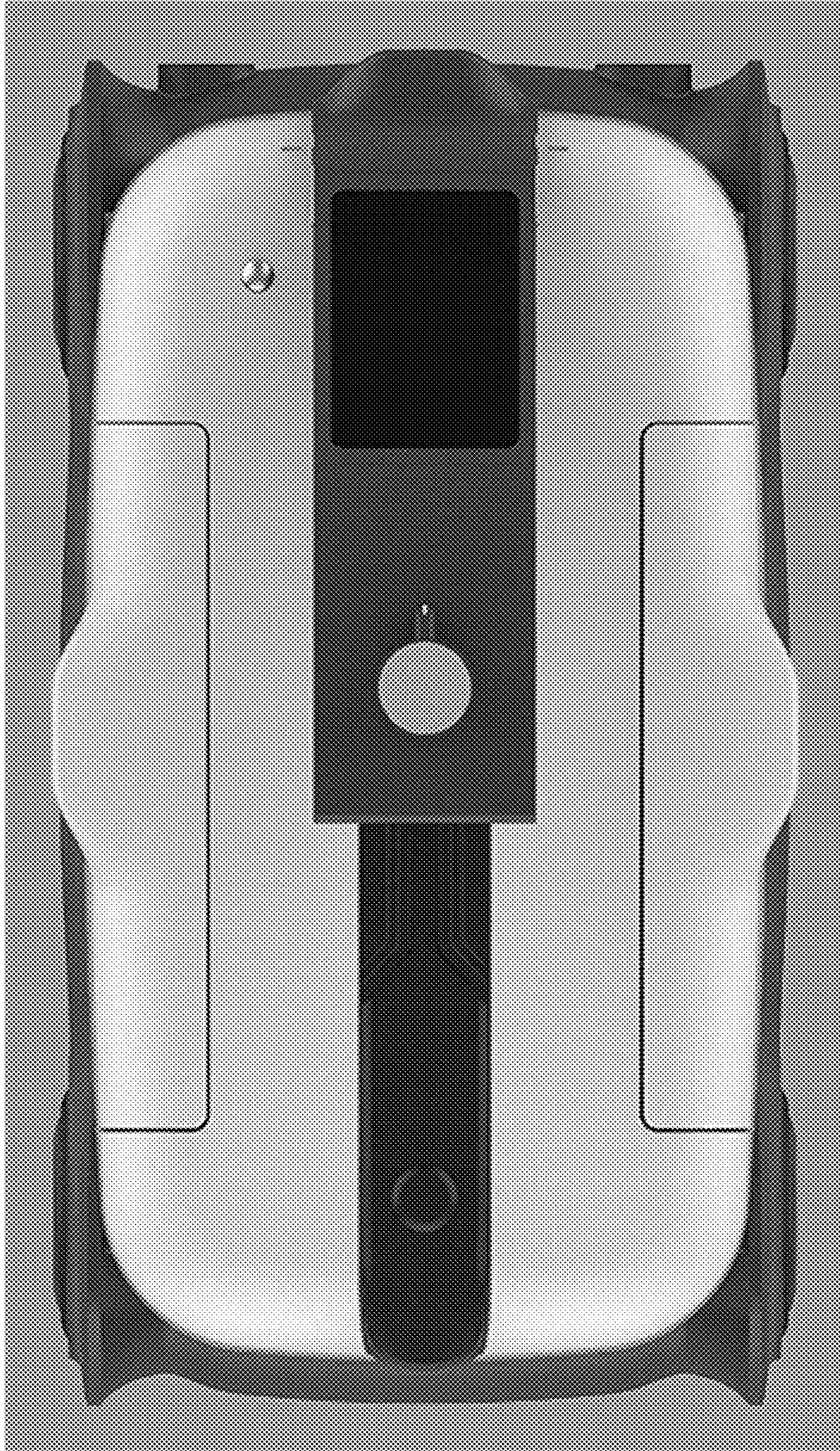
2.3



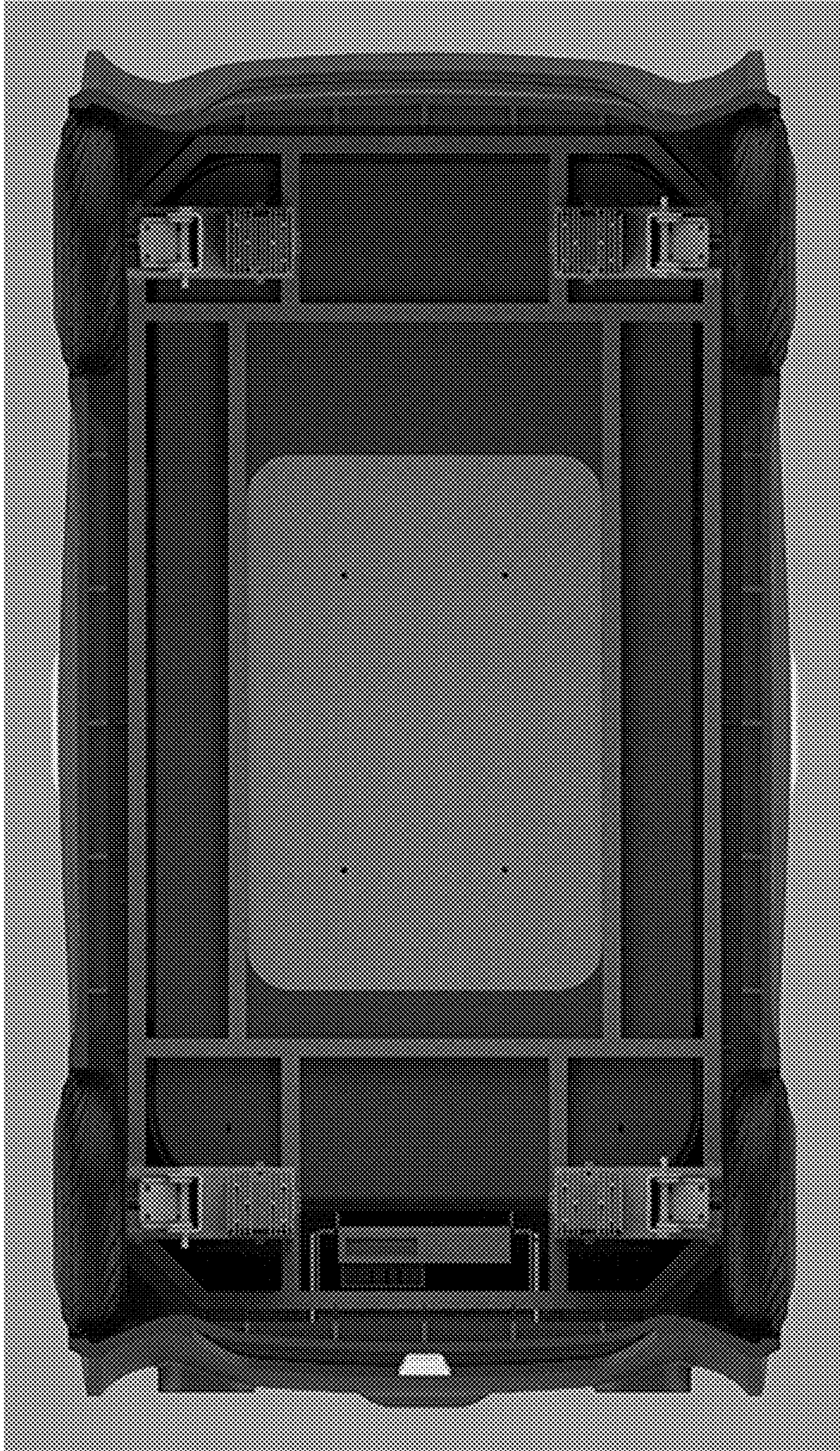
2.4



2.5



2.6



2.7

