



US00D941899S

(12) **United States Design Patent** (10) **Patent No.:** **US D941,899 S**
Stevens et al. (45) **Date of Patent:** **** Jan. 25, 2022**

(54) **FEMALE FILM DISPENSER HALF FOR USE CORDLESS FILM ROLL**

(71) Applicant: **Inteplast Group Corporation**,
Livingston, NJ (US)

(72) Inventors: **Scott Stevens**, Edna, TX (US); **James R. Love**, Sand Springs, OK (US)

(73) Assignee: **INTEPLAST GROUP CORPORATION**, Livingston, NJ (US)

(**) Term: **15 Years**

(21) Appl. No.: **29/753,715**

(22) Filed: **Oct. 1, 2020**

Related U.S. Application Data

(62) Division of application No. 29/661,578, filed on Aug. 29, 2018, now Pat. No. Des. 901,565, which is a division of application No. 29/599,216, filed on Mar. 31, 2017, now Pat. No. Des. 833,492.

(51) **LOC (13) Cl.** **15-99**

(52) **U.S. Cl.**
USPC **D15/145**; D8/358

(58) **Field of Classification Search**
USPC D6/518, 521; D8/70.1, 356, 358;
D15/145; D16/237, 246, 249, 250;
D9/455, 711; 53/221, 389.4, 390, 441;
156/577; 225/1, 39, 77, 89; 242/423,
242/423.1, 578.2, 588, 599.2; 396/661
CPC ... B65B 11/045; B65B 11/025; B65B 75/185;
B65B 2701/1944; B65B 2301/418526;
B65B 67/085; B65B 75/241; B65B
16/005; B65B 2403/731; B65B 2511/12;
B65B 2220/04

See application file for complete search history.

(56) **References Cited**

U.S. PATENT DOCUMENTS

D35,200 S *	10/1901	Levy	D6/523
4,312,347 A *	1/1982	Magoon	A61F 6/08 424/430
D311,296 S *	10/1990	Santoiemmo	D7/300
D332,198 S *	1/1993	Goodman, Jr.	D7/300.2
D340,822 S *	11/1993	Morand	D6/522

(Continued)

Primary Examiner — Nathan M Johnston

(74) *Attorney, Agent, or Firm* — Stinson LLP

(57) **CLAIM**

The ornamental design for a female film dispenser half for use cordless film roll, as shown and described.

DESCRIPTION

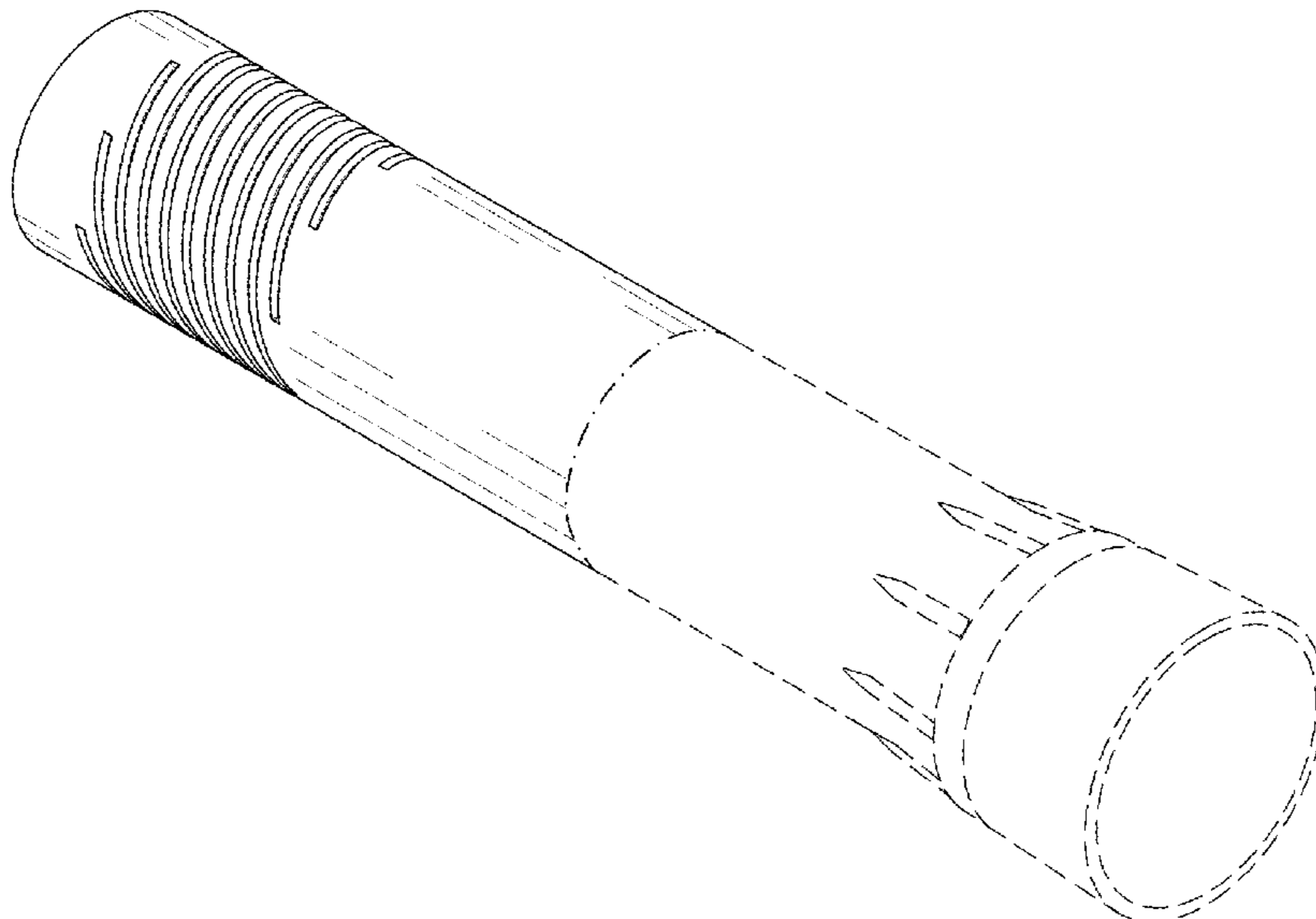
FIG. 1 is a perspective view of a female film dispenser half for use cordless film roll;
FIG. 2 is a front view thereof;
FIG. 3 is a top view thereof;
FIG. 4 is a left side view thereof;
FIG. 5 is a rear view thereof;
FIG. 6 is a bottom view thereof; and,
FIG. 7 is a cross-sectional view taken in the plane of line 13-13 of FIG. 4.

The right side view forms no part of the claimed design of the female film dispenser half of FIGS. 1-7.

The longitudinal cross-sectional view of FIG. 7 is included to illustrate the contour of the external surface of the female film dispenser half, in particular, to illustrate the cross-sectional shape of continuous external helical recesses defined in the external surface of the female film dispenser half.

The dot dash lines shown in the figures that are immediately adjacent to the shaded areas and define unshaded regions represent the bounds of the claim, while all other broken lines illustrate the portions of the design that form no part of the claimed design. None of the broken lines form any part of the claimed design.

1 Claim, 7 Drawing Sheets



(56)

References Cited

U.S. PATENT DOCUMENTS

D389,364	S *	1/1998	Vallarella	D26/38
D394,178	S *	5/1998	Gremchuck	D6/520
D396,589	S *	8/1998	Daansen	D6/542
D414,361	S *	9/1999	Senecal, Jr.	D6/523
D495,176	S *	8/2004	Wolpert	D6/523
D498,967	S *	11/2004	White	D7/300.2
D537,722	S *	3/2007	Jaichandra	D9/517
D570,687	S *	6/2008	Kelders	D9/500
7,537,140	B2 *	5/2009	Lin	B05B 11/3001 222/181.1
D603,206	S *	11/2009	Wallace	D7/300.2
D632,512	S *	2/2011	Bejdova	D6/523
D641,468	S *	7/2011	Ruiz, Sr.	D24/133
D649,570	S *	11/2011	Chen	D15/145
D688,138	S *	8/2013	Kim	D9/690
8,499,946	B2 *	8/2013	Giles	A61J 9/001 215/11.3
D697,332	S *	1/2014	Huang	D6/518
D699,064	S *	2/2014	Katterheinrich	D7/300.2
D729,608	S *	5/2015	Kalous	B60D 1/025 D8/331
D748,476	S *	2/2016	Lakstins	D9/447
2011/0284572	A1 *	11/2011	Meyer	A47F 1/085 221/251

* cited by examiner

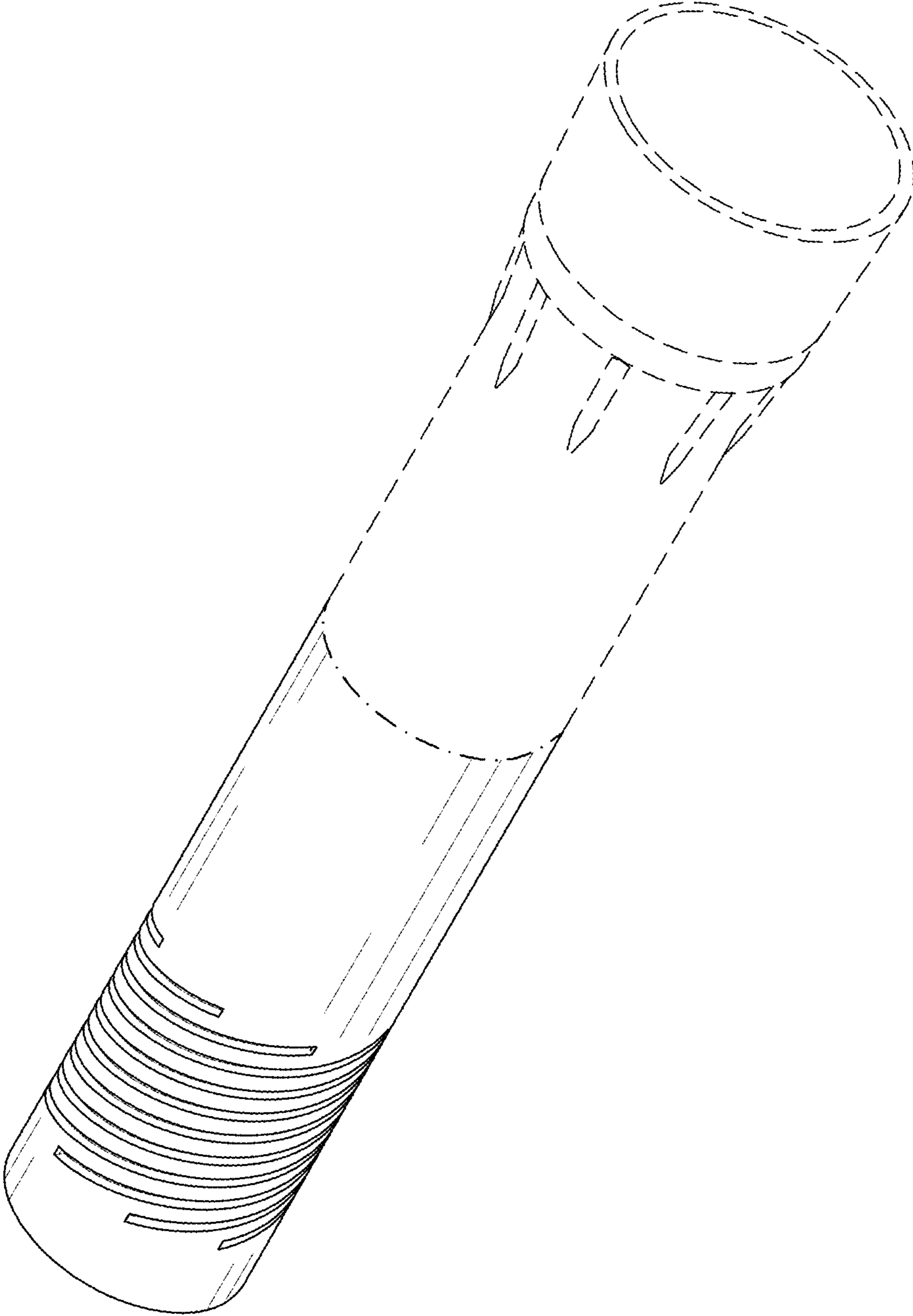


FIG. 1

FIG. 2

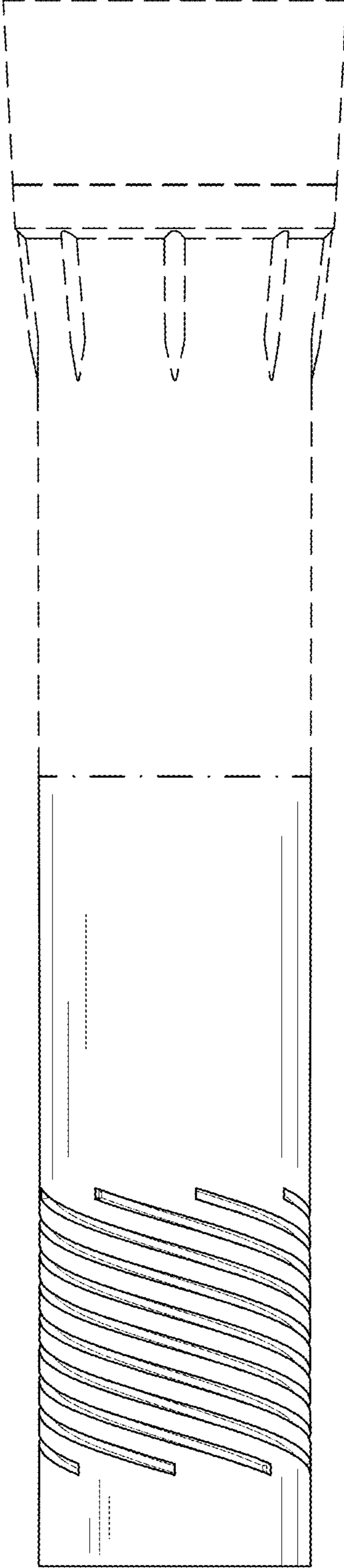


FIG. 3

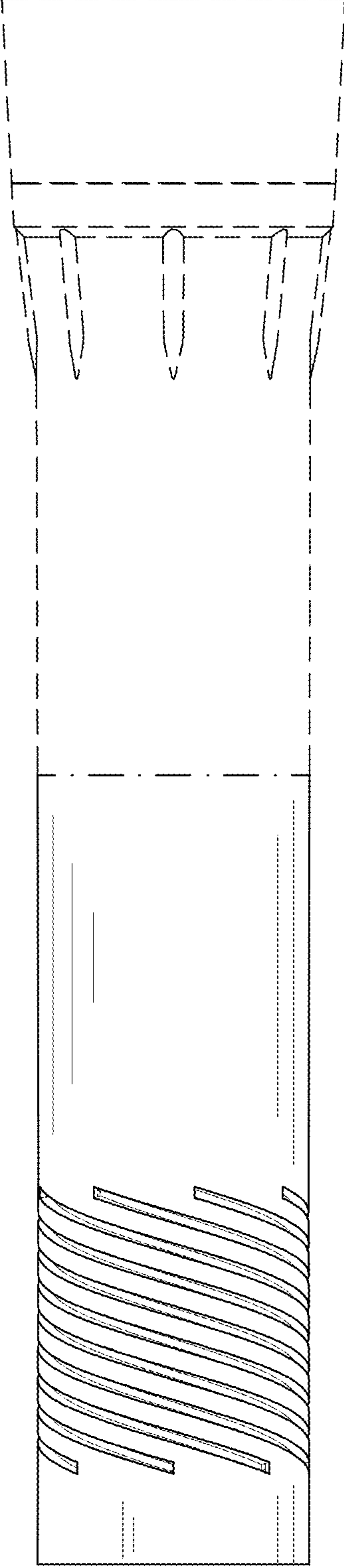
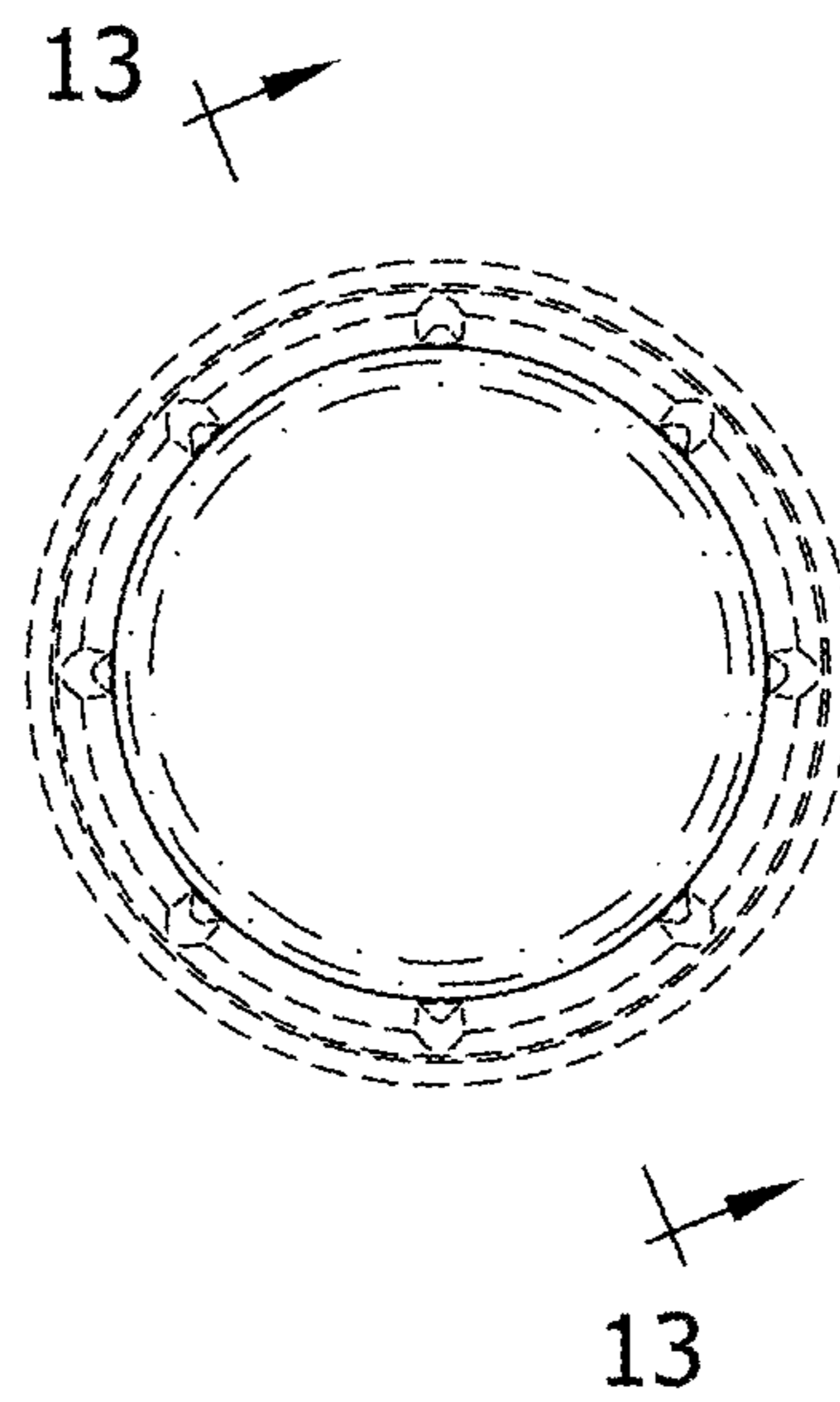


FIG. 4



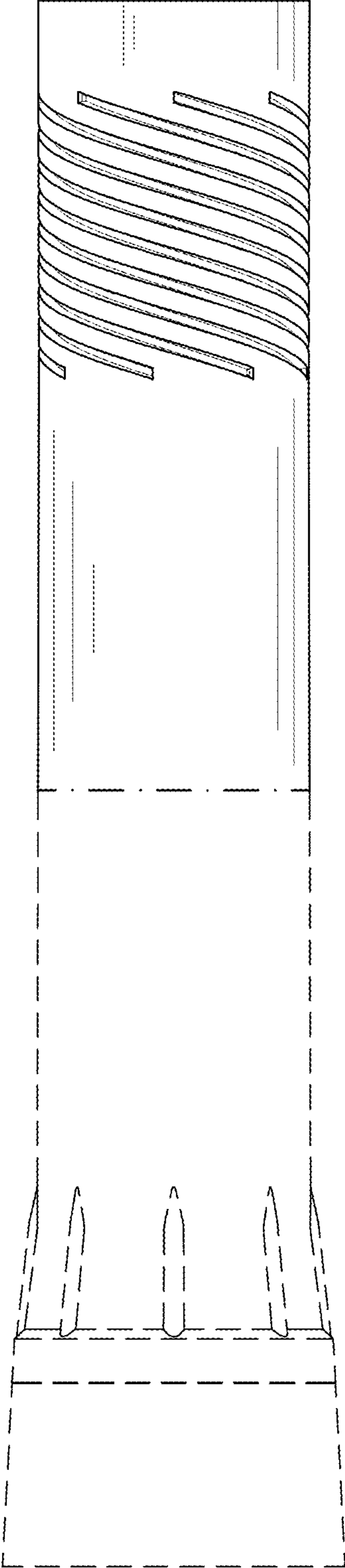


FIG. 5

FIG. 6

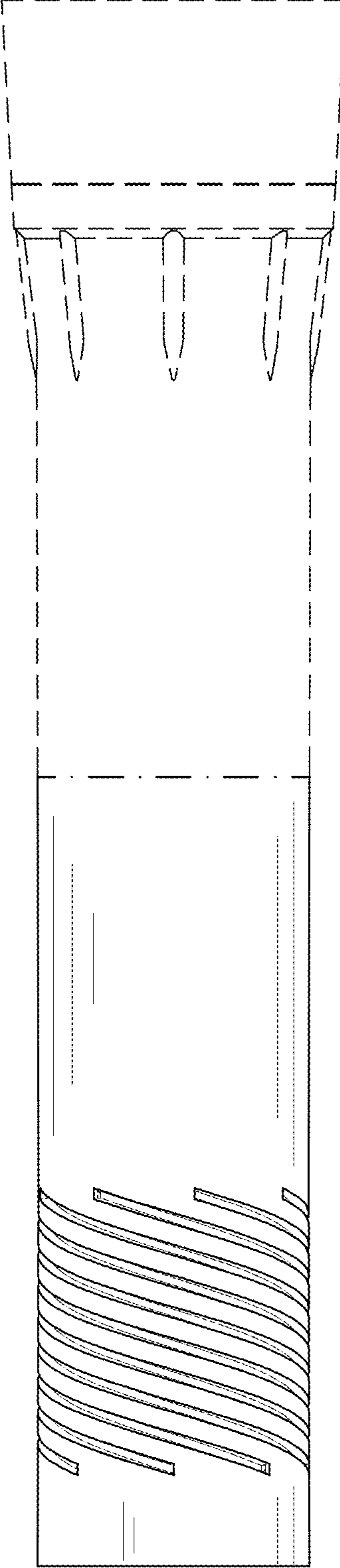


FIG. 7

