



US00D941898S

(12) **United States Design Patent** (10) **Patent No.:** **US D941,898 S**
Bublitz et al. (45) **Date of Patent:** **** Jan. 25, 2022**

(54) **SOLDERING STATION**
(71) Applicant: **Apex Brands, Inc.**, Apex, NC (US)
(72) Inventors: **Scott Bublitz**, Denver, NC (US);
Pratik Bendale, Charlotte, NC (US);
Dawn Huston, Leesville, SC (US);
Brian Butler, Charlotte, NC (US)
(73) Assignee: **Apex Brands, Inc.**, Apex, NC (US)
(**) Term: **15 Years**
(21) Appl. No.: **29/709,762**
(22) Filed: **Oct. 17, 2019**
(51) **LOC (13) Cl.** **15-09**
(52) **U.S. Cl.**
USPC **D15/144.2**
(58) **Field of Classification Search**
USPC D8/29.1, 29.2, 30; D10/78; D14/126;
D15/122, 144, 144.1, 144.2
CPC B23K 3/08; B23K 3/033; B23K 3/0369;
G05D 23/2401
See application file for complete search history.

(56) **References Cited**
U.S. PATENT DOCUMENTS
D274,882 S * 7/1984 Rittmann D15/144
D398,016 S * 9/1998 Neef D15/144.2
D415,435 S * 10/1999 Yoshimura D10/50
D428,427 S * 7/2000 Neef D15/144.2
D490,448 S * 5/2004 Ishihara D15/144
D530,349 S * 10/2006 Ishihara D15/144.2
D550,731 S * 9/2007 Ishihara D15/144.2
D569,884 S * 5/2008 Shu D15/144
D620,328 S * 7/2010 Masaki D8/30
D623,206 S * 9/2010 Mittmann D15/144
D656,525 S * 3/2012 Mochizuki D15/144.2
D703,715 S * 4/2014 Kita D15/144

D740,339 S * 10/2015 Teraoka D15/144.2
D762,254 S * 7/2016 Kita D15/144.2
D762,754 S * 8/2016 Kita D15/144.2
D780,241 S * 2/2017 Teraoka D15/144.2
D790,613 S * 6/2017 Fischer D15/144.2
D829,790 S * 10/2018 Gou D15/144
D829,791 S * 10/2018 Fischer D15/144.2
D832,901 S * 11/2018 Gou D15/144
D879,849 S * 3/2020 Kita D15/144.2
D888,789 S * 6/2020 Gou D15/144.2
D911,403 S * 2/2021 Gou D15/144.2
2005/0263512 A1* 12/2005 Fosbinder B23K 9/1087
219/132
2015/0083707 A1* 3/2015 Miyazaki B23K 3/03
219/238
2016/0175959 A1* 6/2016 Mochizuki B23K 3/029
228/20.5

* cited by examiner

Primary Examiner — Patricia A Palasik
(74) *Attorney, Agent, or Firm* — Burr & Forman, LLP

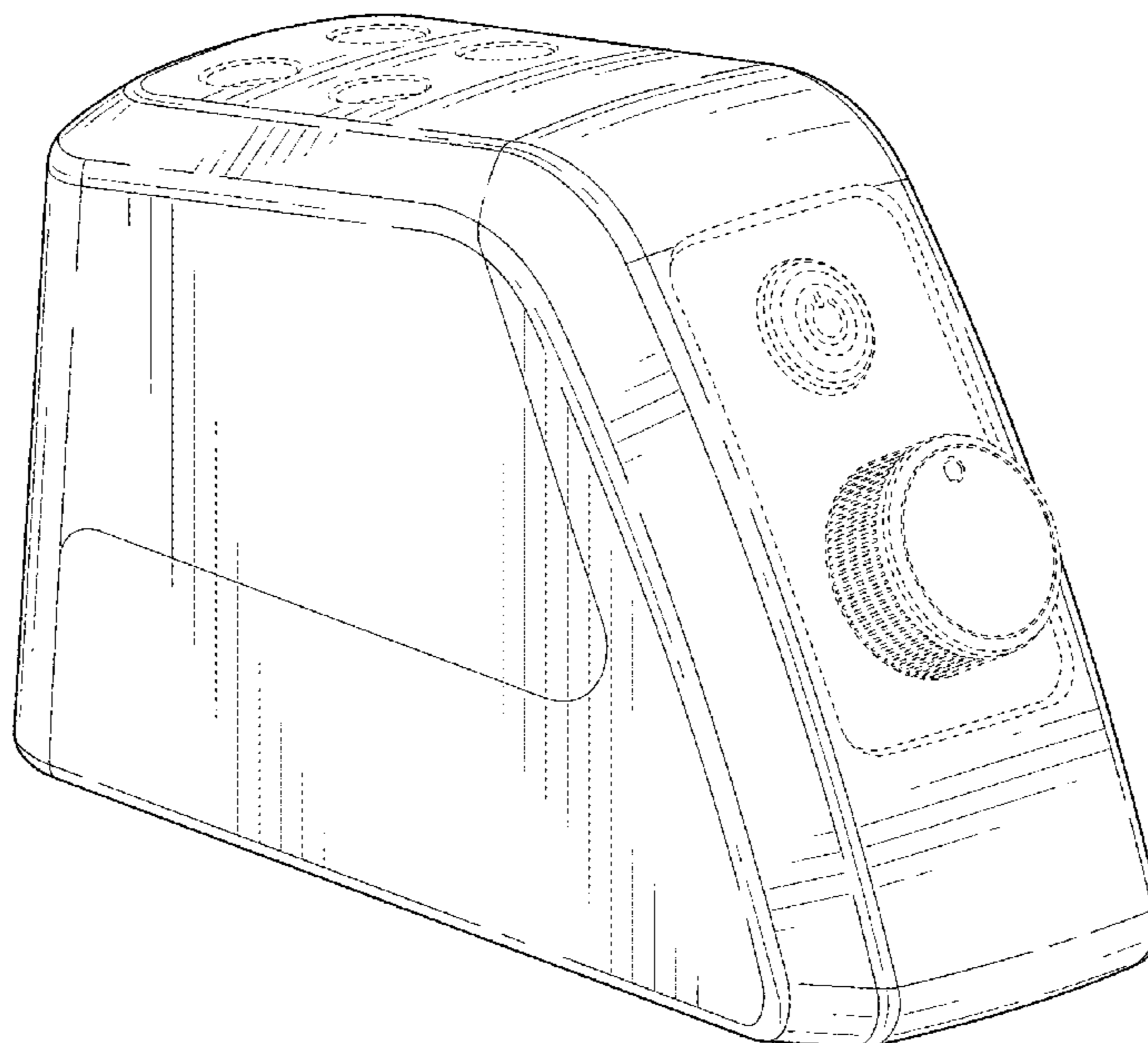
(57) **CLAIM**

The ornamental design for the soldering station, as shown and described.

DESCRIPTION

FIG. 1 is a perspective view of a soldering station in accordance with an embodiment of the present invention; FIG. 2 is a front view of the soldering station of FIG. 1; FIG. 3 is a rear view of the soldering station of FIG. 1; FIG. 4 is a right side view of the soldering station of FIG. 1; FIG. 5 is a left side view of the soldering station of FIG. 1; FIG. 6 is a top view of the soldering station of FIG. 1; and, FIG. 7 is a bottom view of the soldering station of FIG. 1. The broken lines of the soldering station in FIGS. 1-7 are illustrative of portions of the soldering station that form no part of the claimed design.

1 Claim, 7 Drawing Sheets



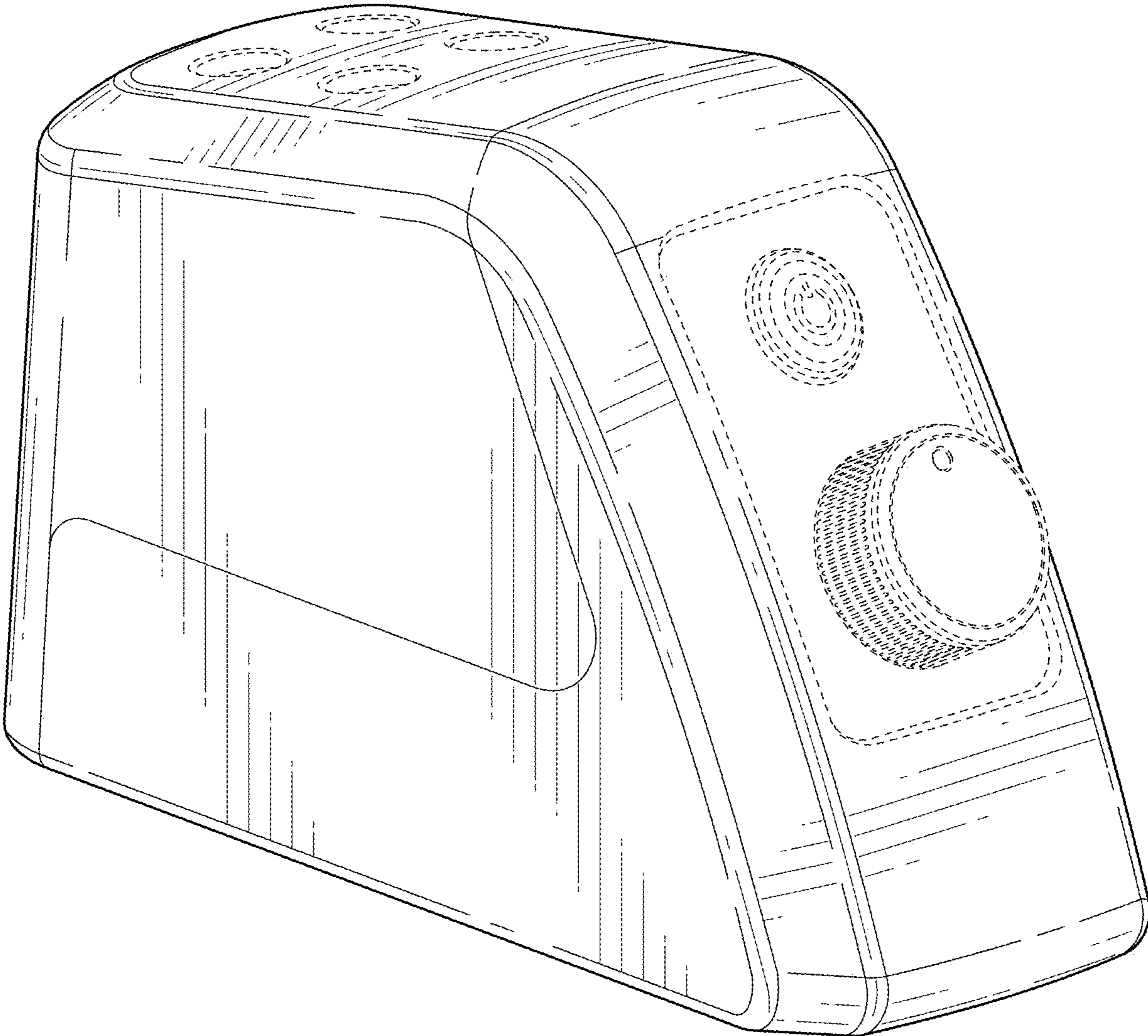


FIG. 1

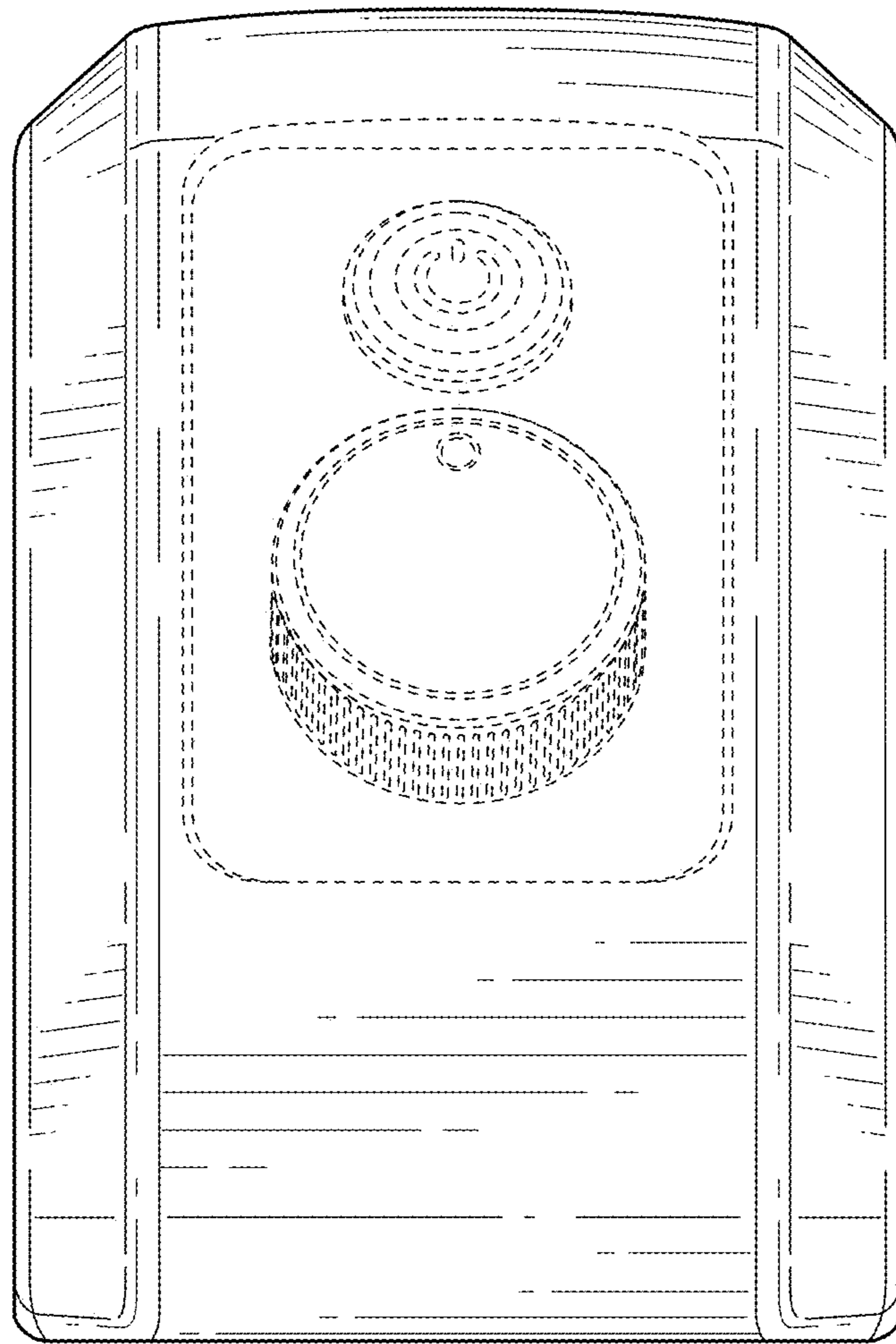


FIG. 2

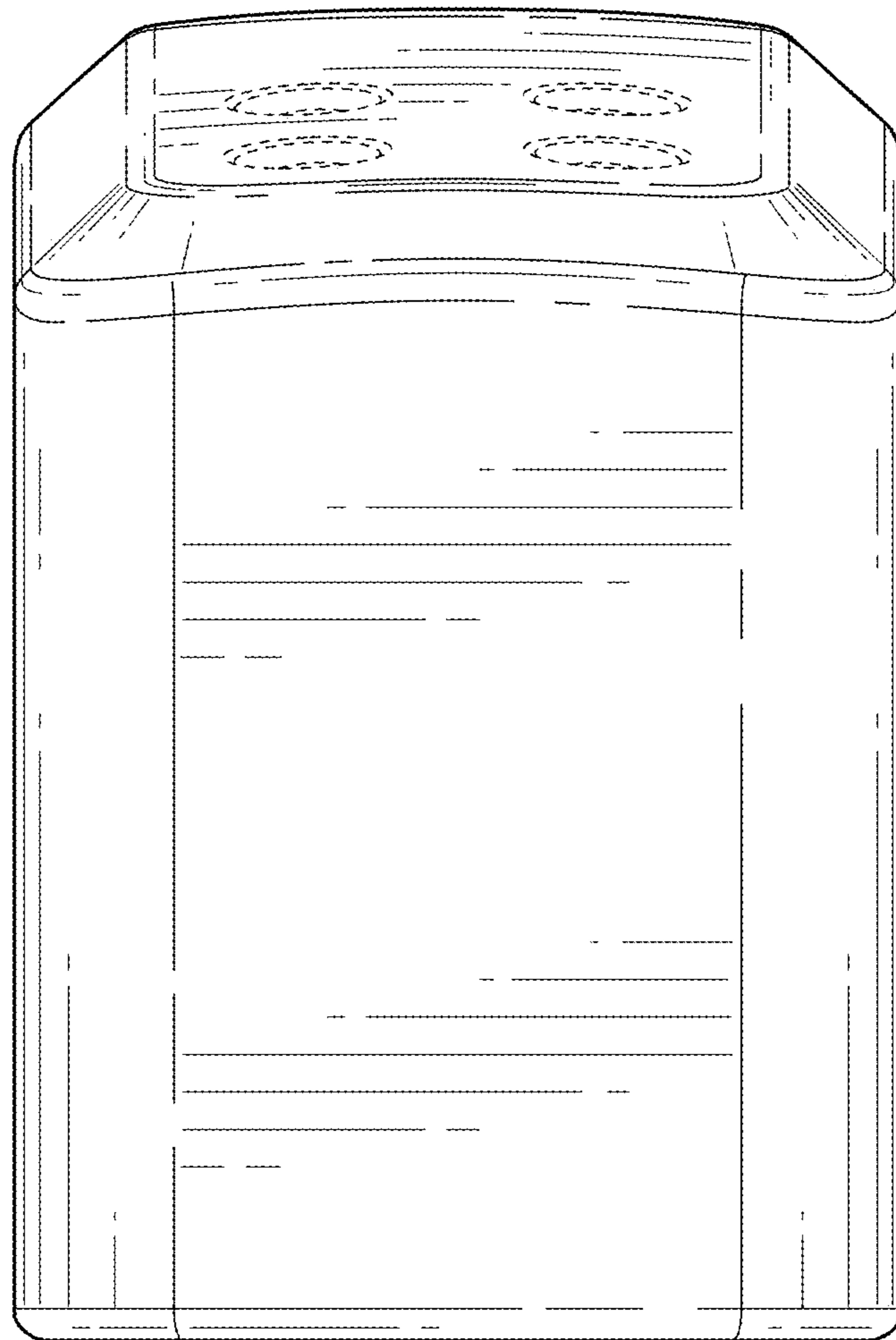


FIG. 3

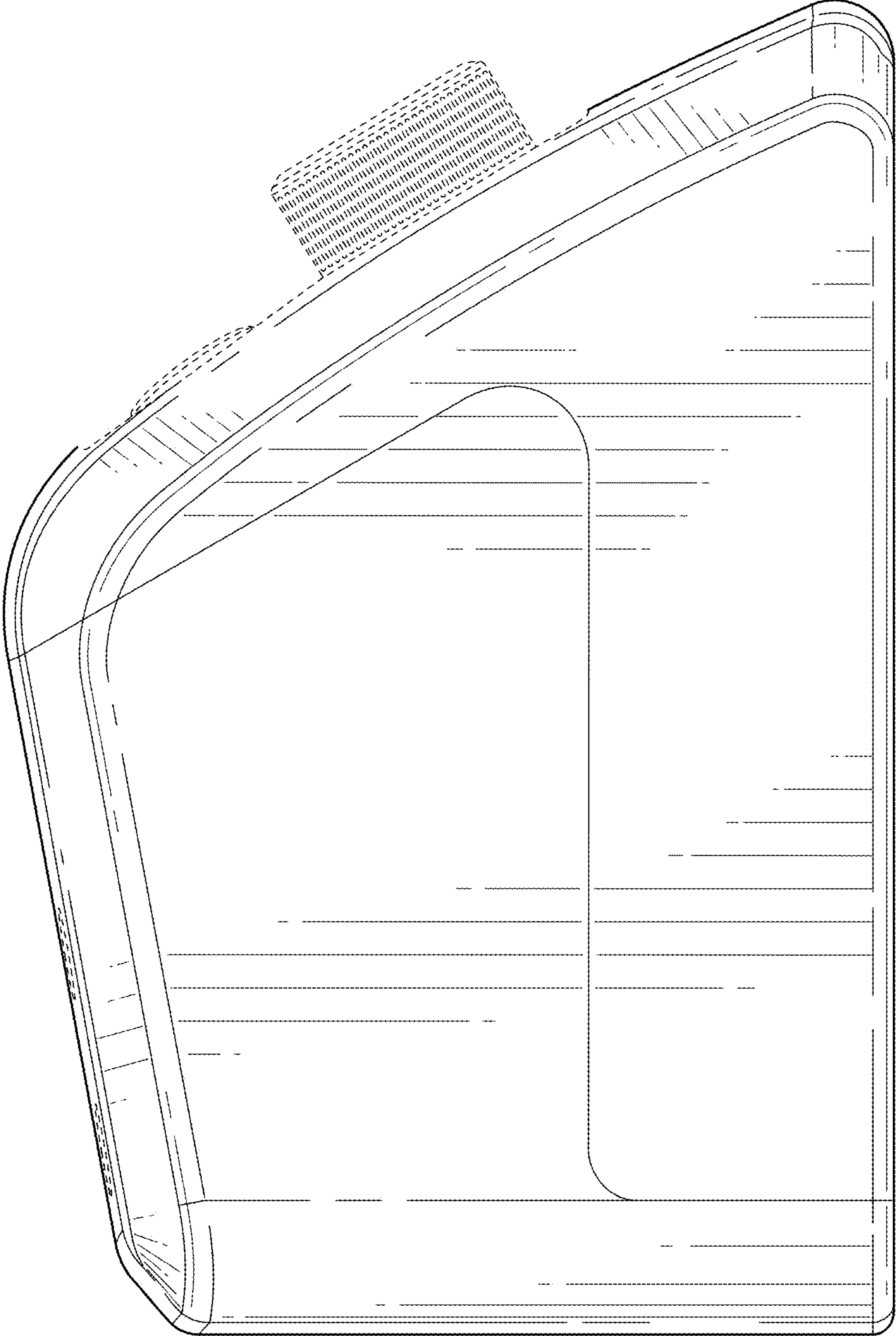


FIG. 4

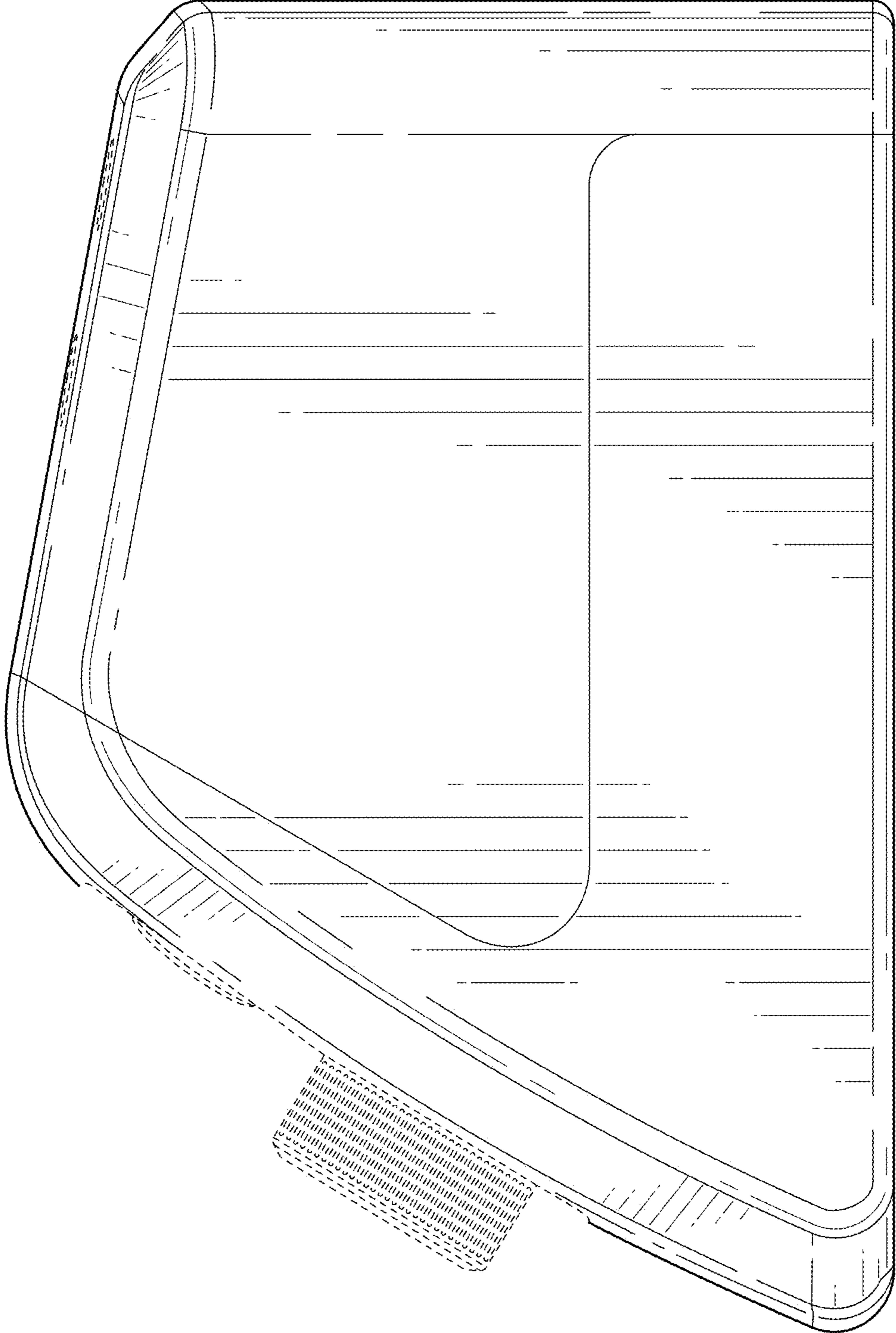


FIG. 5

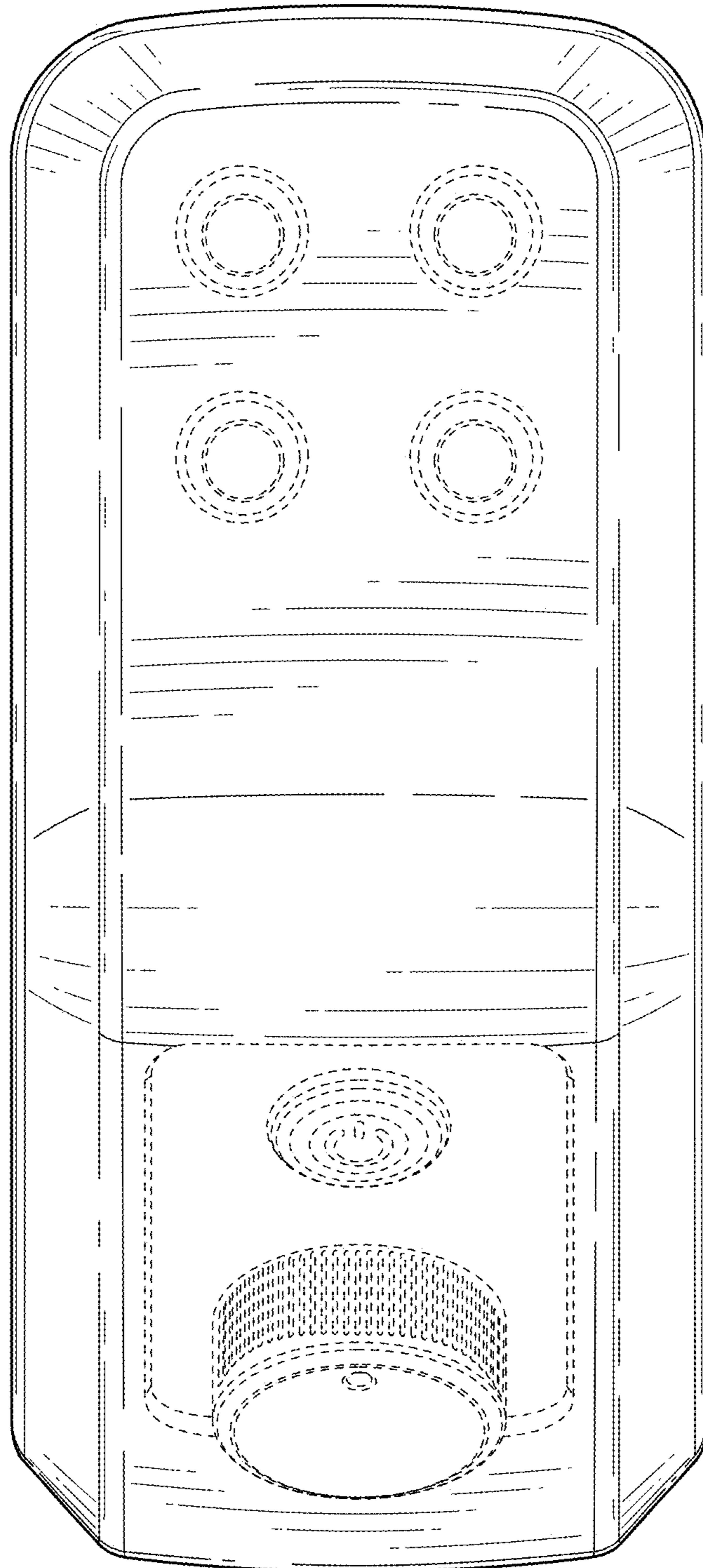


FIG. 6

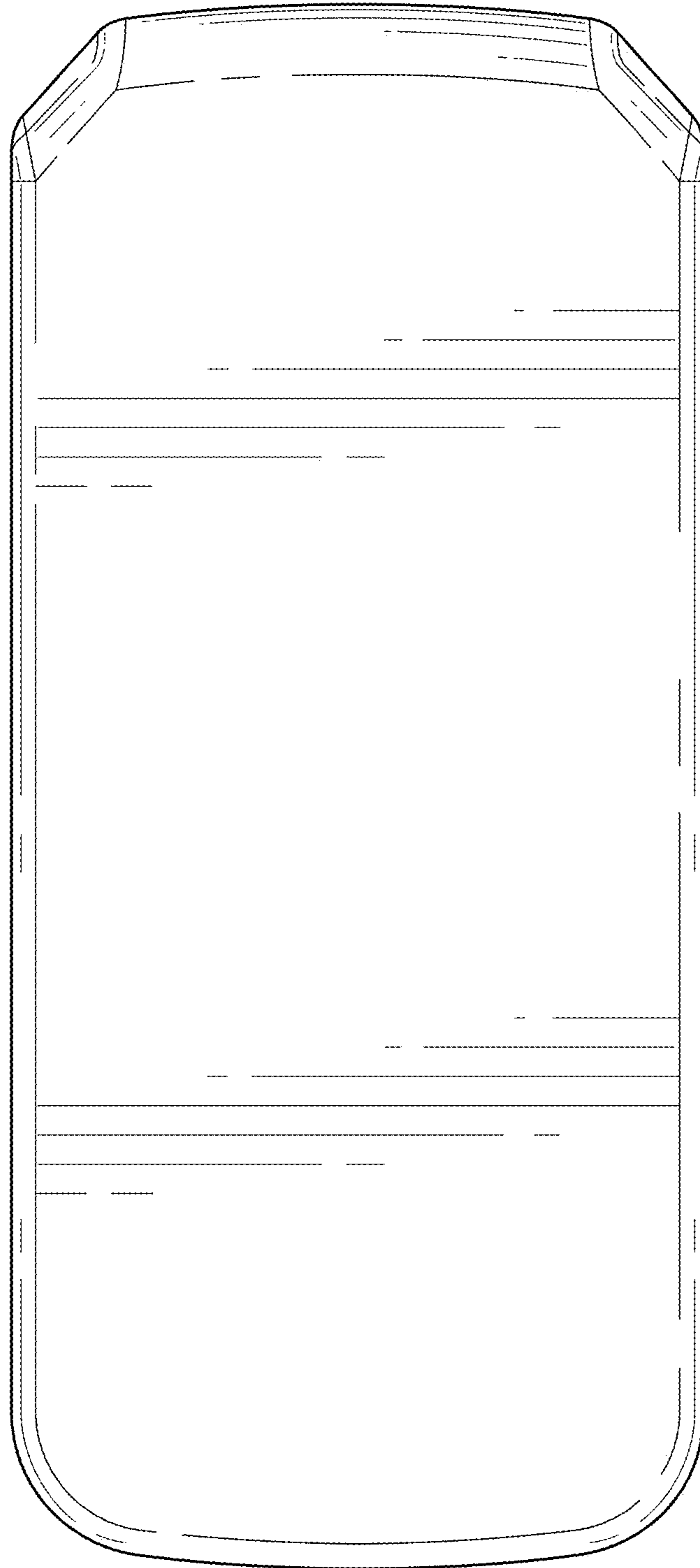


FIG. 7