



US00D941897S

(12) **United States Design Patent** (10) **Patent No.:** **US D941,897 S**  
**Avent** (45) **Date of Patent:** **\*\* Jan. 25, 2022**

(54) **FEMALE INSULATOR CAP FOR USE WITH A WELDER TERMINAL LEAD**

(71) Applicant: **William Avent**, Alpena, MI (US)

(72) Inventor: **William Avent**, Alpena, MI (US)

(\*\*) Term: **15 Years**

(21) Appl. No.: **29/801,562**

(22) Filed: **Jul. 29, 2021**

**Related U.S. Application Data**

(62) Division of application No. 29/732,174, filed on Apr. 22, 2020.

(51) **LOC (13) Cl.** ..... **15-09**

(52) **U.S. Cl.**  
USPC ..... **D15/144**

(58) **Field of Classification Search**  
USPC ..... D8/14, 22, 25, 29, 29.1, 30, 40, 59, 74,  
D8/88, 106, 300, 309, 343, 373;  
D15/122, 138, 144, 144.1, 144.2;  
D23/223, 263

CPC ..... B23K 11/3018; B23K 35/0205; B23K  
35/0261; B23K 35/222; B23K 35/32

See application file for complete search history.

(56) **References Cited**

**U.S. PATENT DOCUMENTS**

D346,821 S *	5/1994	Smith	347/88
D365,345 S *	12/1995	Carkhuff	D15/144
D384,682 S *	10/1997	Turner	D15/144
D414,788 S *	10/1999	Shintani	D15/144
D417,459 S *	12/1999	Shintani	D15/144
D446,795 S *	8/2001	Shintani	D15/144
D492,709 S *	7/2004	Horner-Richardson	D15/144
D580,960 S *	11/2008	Yamaguchi	D15/144
D582,950 S *	12/2008	Yamaguchi	D15/144

D582,951 S *	12/2008	Yamaguchi	D15/144
D654,104 S *	2/2012	Fitzpatrick	D15/144
D654,939 S *	2/2012	Furujo	D15/144
D667,857 S *	9/2012	Hidaka	D15/144
D681,706 S *	5/2013	Savill, Jr.	D15/144
D690,336 S *	9/2013	Gjertsen	D15/144
D714,372 S *	9/2014	Savill, Jr.	D15/144
D719,200 S *	12/2014	Hassan	D15/144
D720,784 S *	1/2015	Hassan	D15/144
D721,111 S *	1/2015	Hassan	D15/144
D726,794 S *	4/2015	Kang	H01T 13/20 D15/144.2
D728,647 S *	5/2015	Savill, Jr.	D15/144
D728,649 S *	5/2015	Hassan	D15/144
D733,776 S *	7/2015	Buttiker	H01T 13/02 D15/144
D735,787 S *	8/2015	Hassan	D15/144
D744,560 S *	12/2015	Hassan	D15/144

(Continued)

*Primary Examiner* — Michael C Stout

*Assistant Examiner* — Fritzgerald L Butac

(74) *Attorney, Agent, or Firm* — Dinsmore & Shohl LLP

(57) **CLAIM**

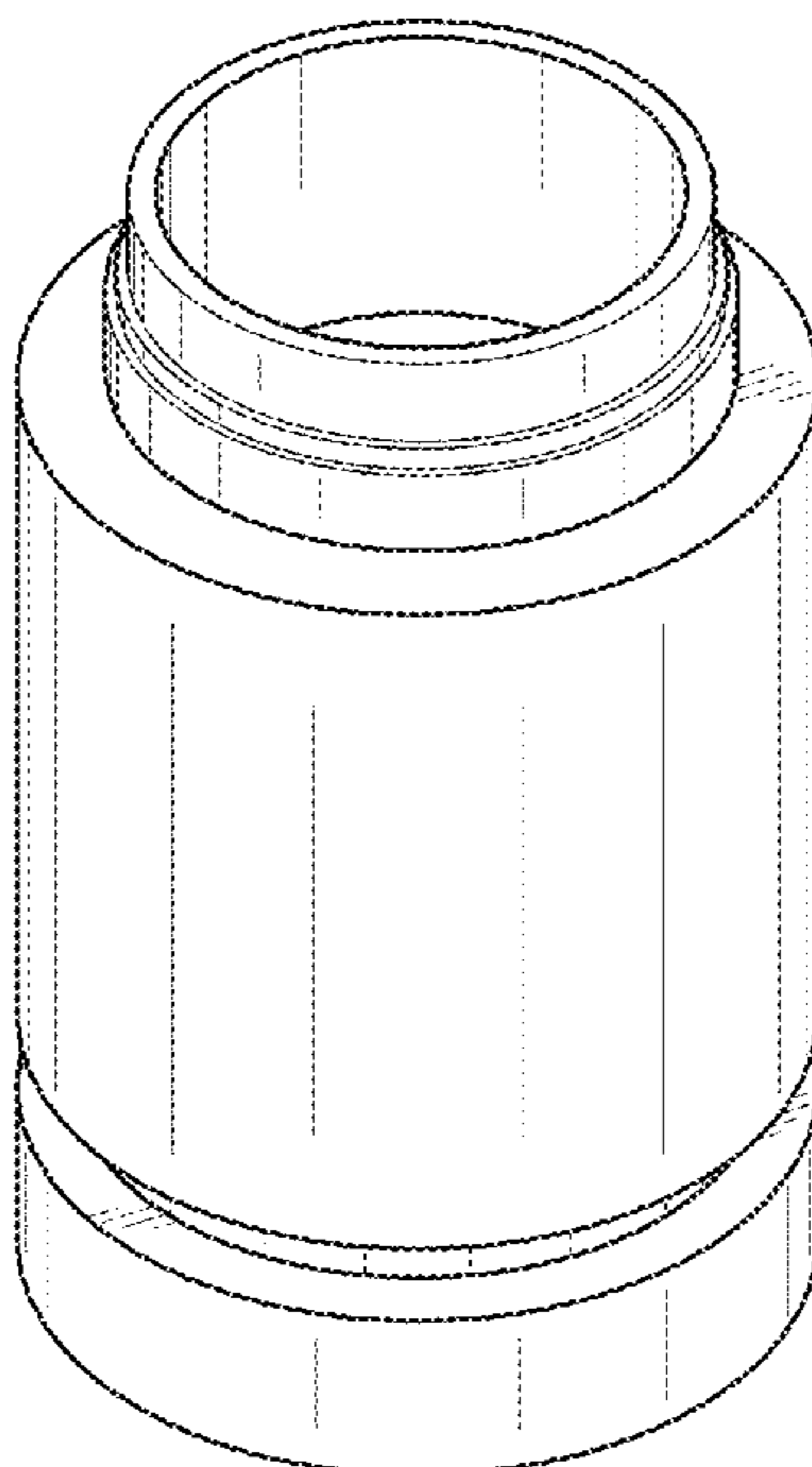
The ornamental design for female insulator cap for use with a welder terminal lead, as shown and described.

**DESCRIPTION**

FIG. 1 is a perspective view of a female insulator cap for use with a welder terminal lead, according to the present design; FIG. 2 is a front view thereof; FIG. 3 is a rear view thereof; FIG. 4 is a right side view thereof; FIG. 5 is a left side view thereof; FIG. 6 is a top view thereof; and, FIG. 7 is a bottom view thereof.

The broken lines show portions of a female insulator cap for use with a welder terminal lead which form no part of the claimed design.

**1 Claim, 2 Drawing Sheets**



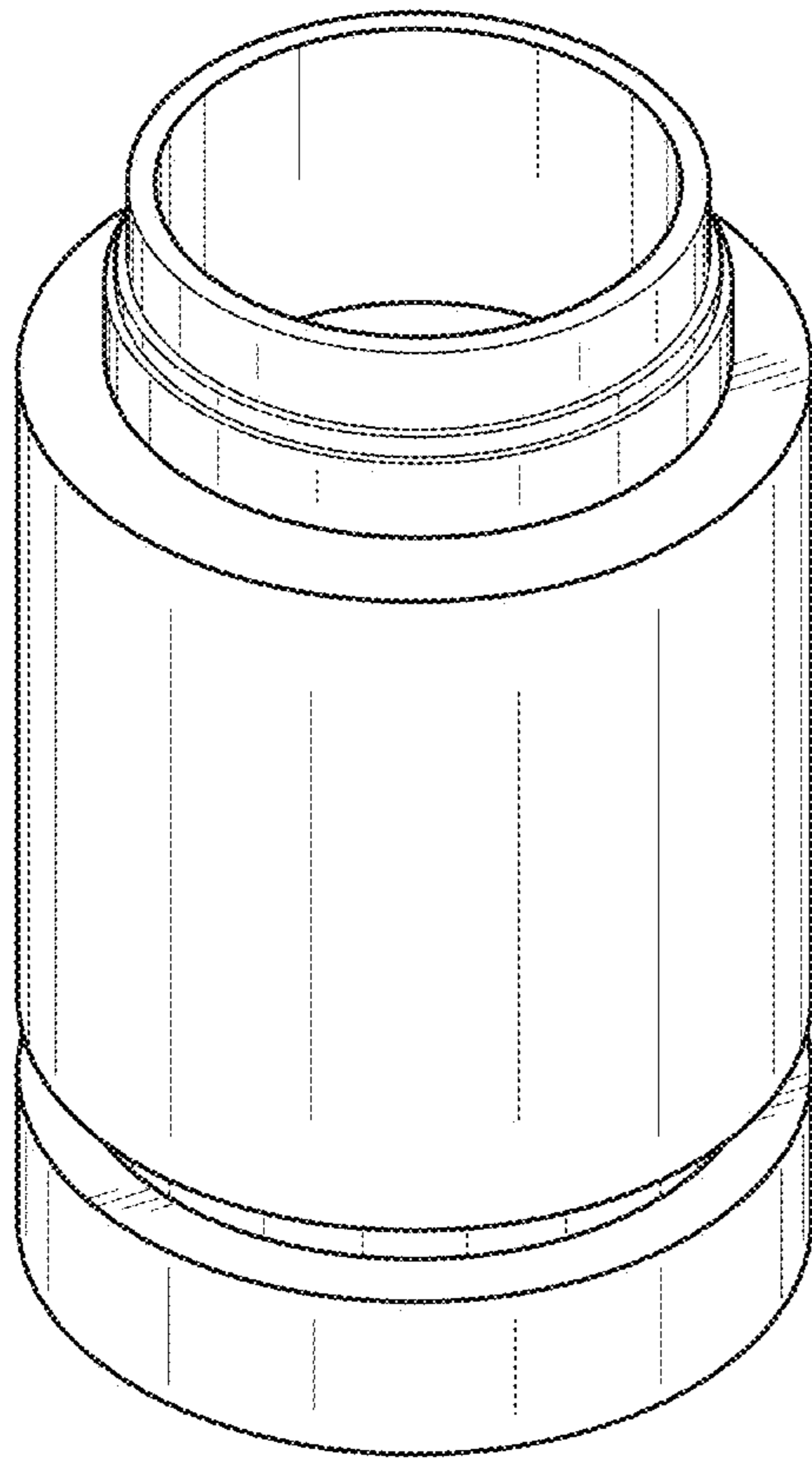
(56)

**References Cited**

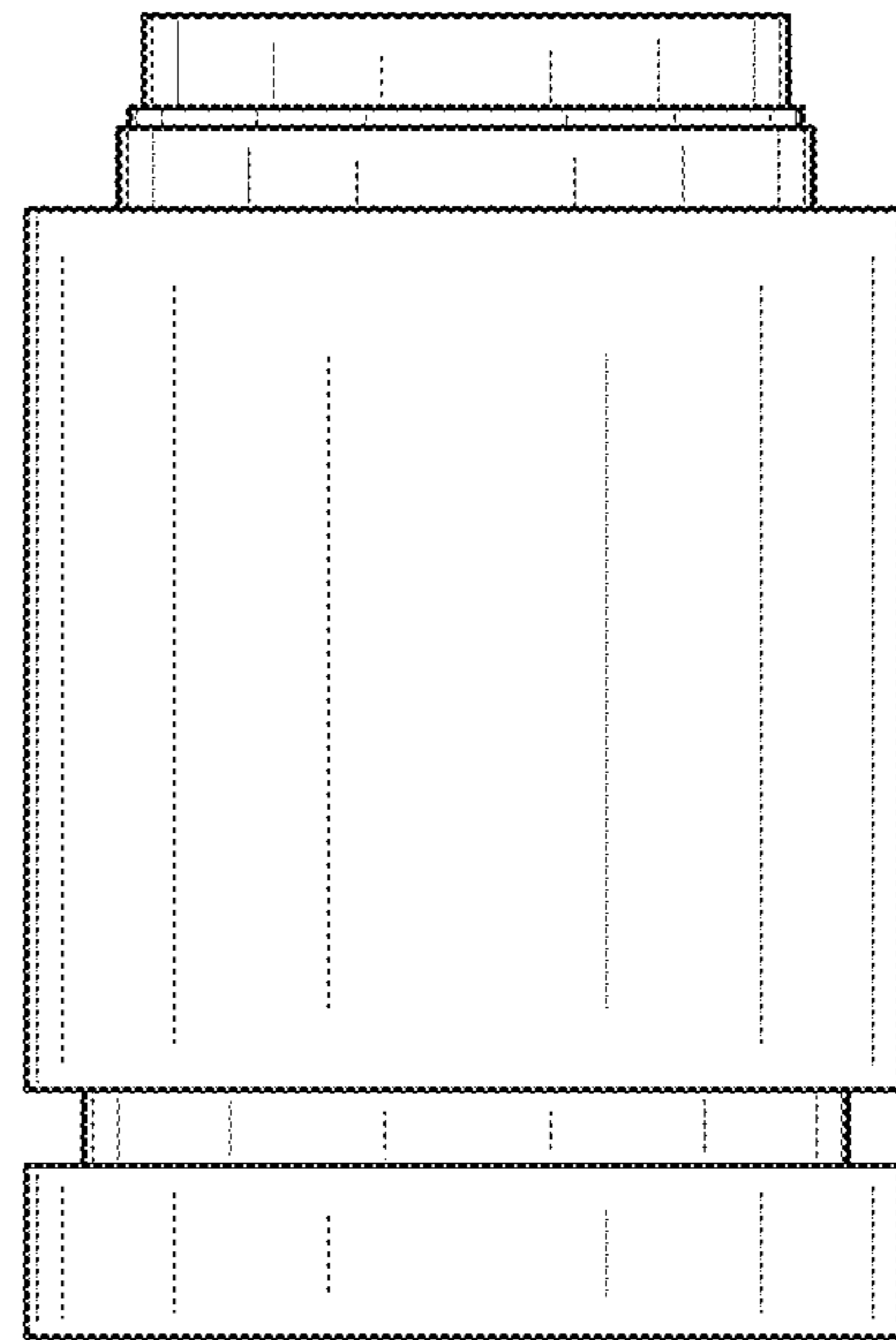
U.S. PATENT DOCUMENTS

D747,377	S	*	1/2016	Hassan	.....	D15/144
D748,173	S	*	1/2016	Hassan	.....	D15/144
D748,174	S	*	1/2016	Hassan	.....	D15/144
D759,137	S	*	6/2016	Hassan	.....	D15/144
D763,816	S	*	8/2016	Hassan	.....	D15/144
D763,935	S	*	8/2016	Hassan	.....	D15/144
D776,177	S	*	1/2017	Namburu	.....	D15/144
D776,730	S	*	1/2017	Yamaguchi	.....	D15/144
D777,812	S	*	1/2017	Namburu	.....	D15/144
D784,432	S	*	4/2017	Yamaguchi	.....	D15/144
D809,579	S	*	2/2018	Buss	.....	D15/144
D835,692	S	*	12/2018	Susin	.....	D15/144
D846,009	S	*	4/2019	Takemura	.....	D15/144
D846,610	S	*	4/2019	Kodama	.....	D15/144
D852,856	S	*	7/2019	Beagen	.....	D15/144
D858,229	S	*	9/2019	Willey	.....	D8/14
D861,758	S	*	10/2019	Severance, Jr.	.....	D15/144
D881,243	S	*	4/2020	Hidaka	.....	D15/144
D908,150	S	*	1/2021	Swank	.....	D15/144

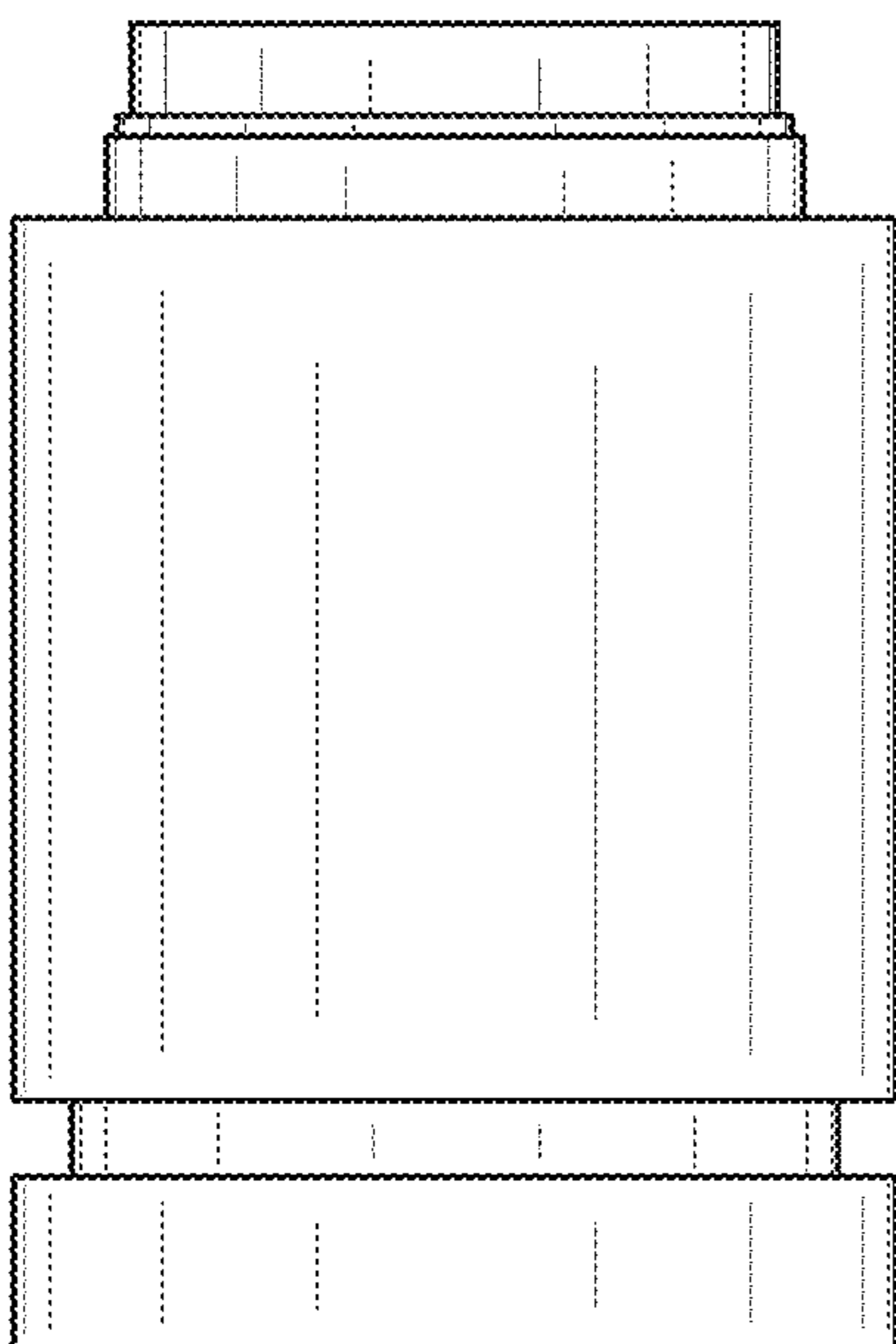
\* cited by examiner



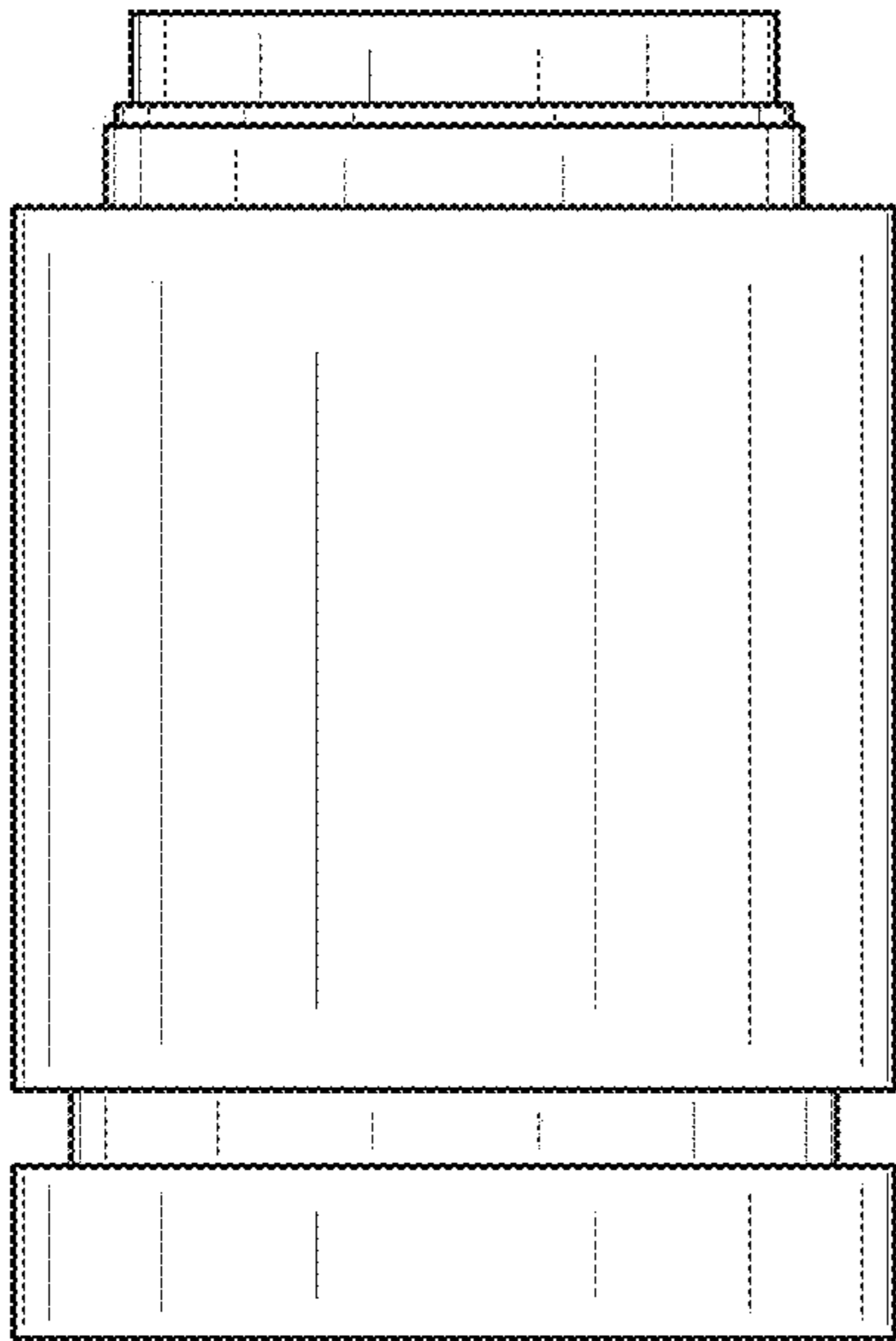
**FIG. 1**



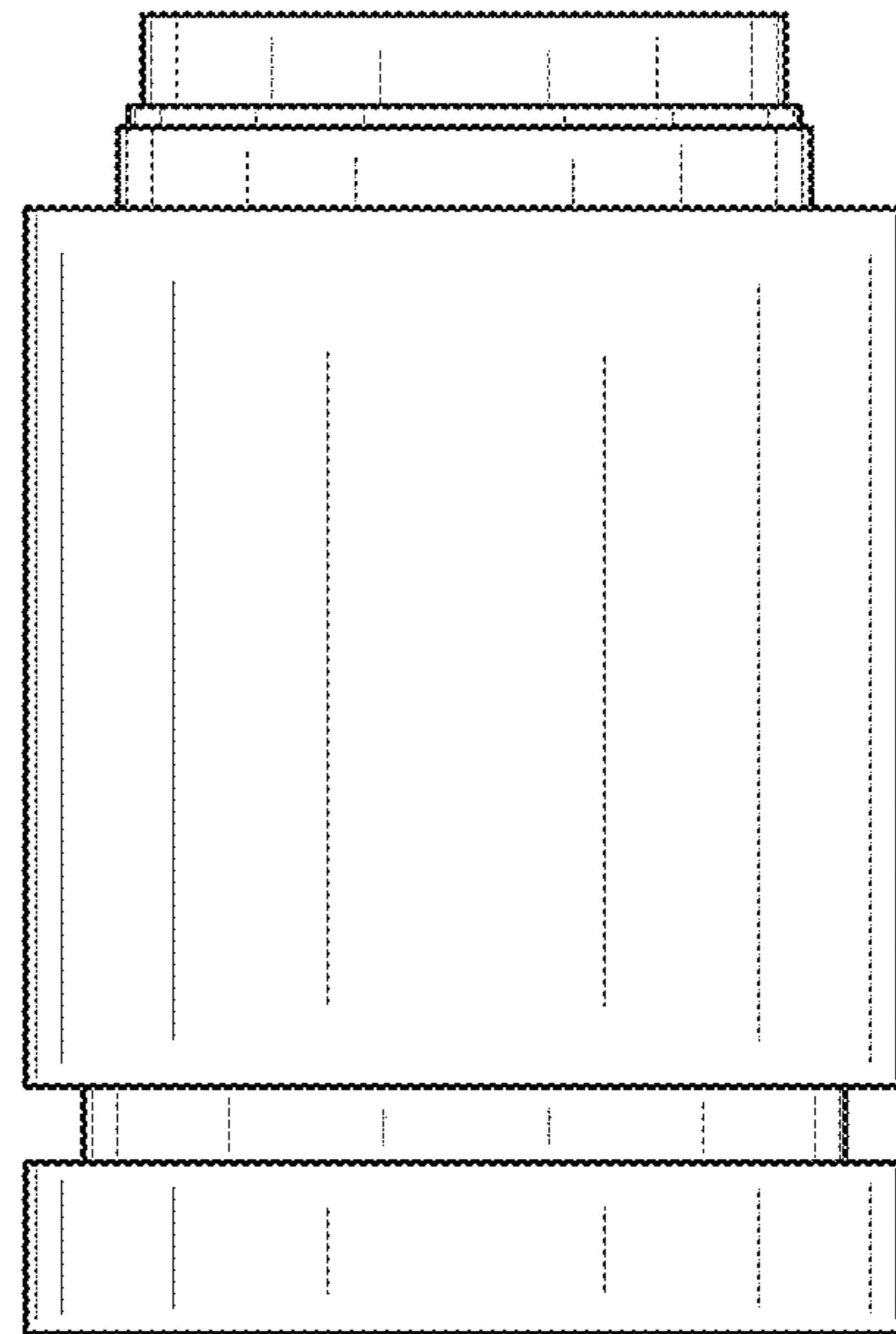
**FIG. 2**



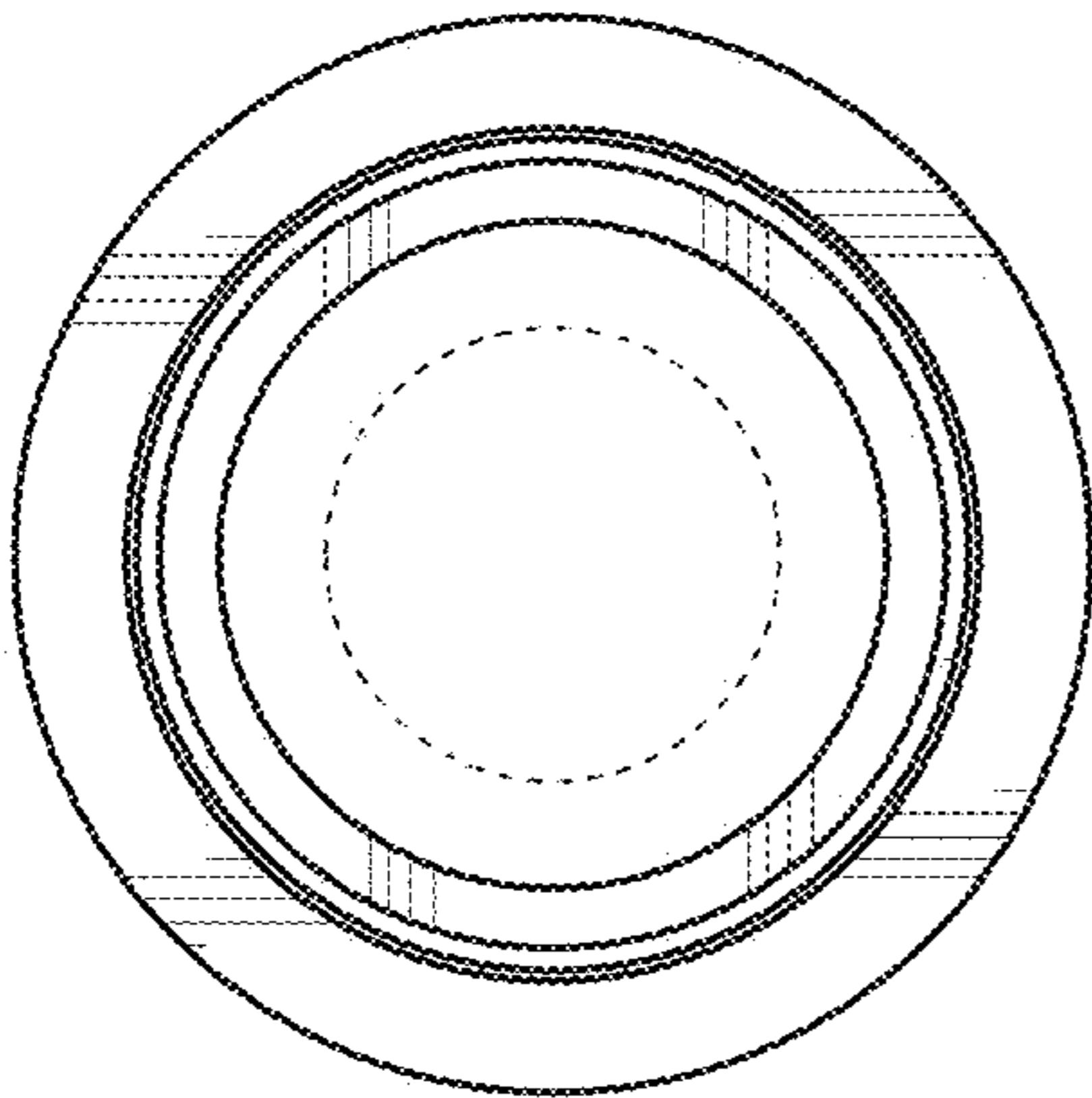
**FIG. 3**



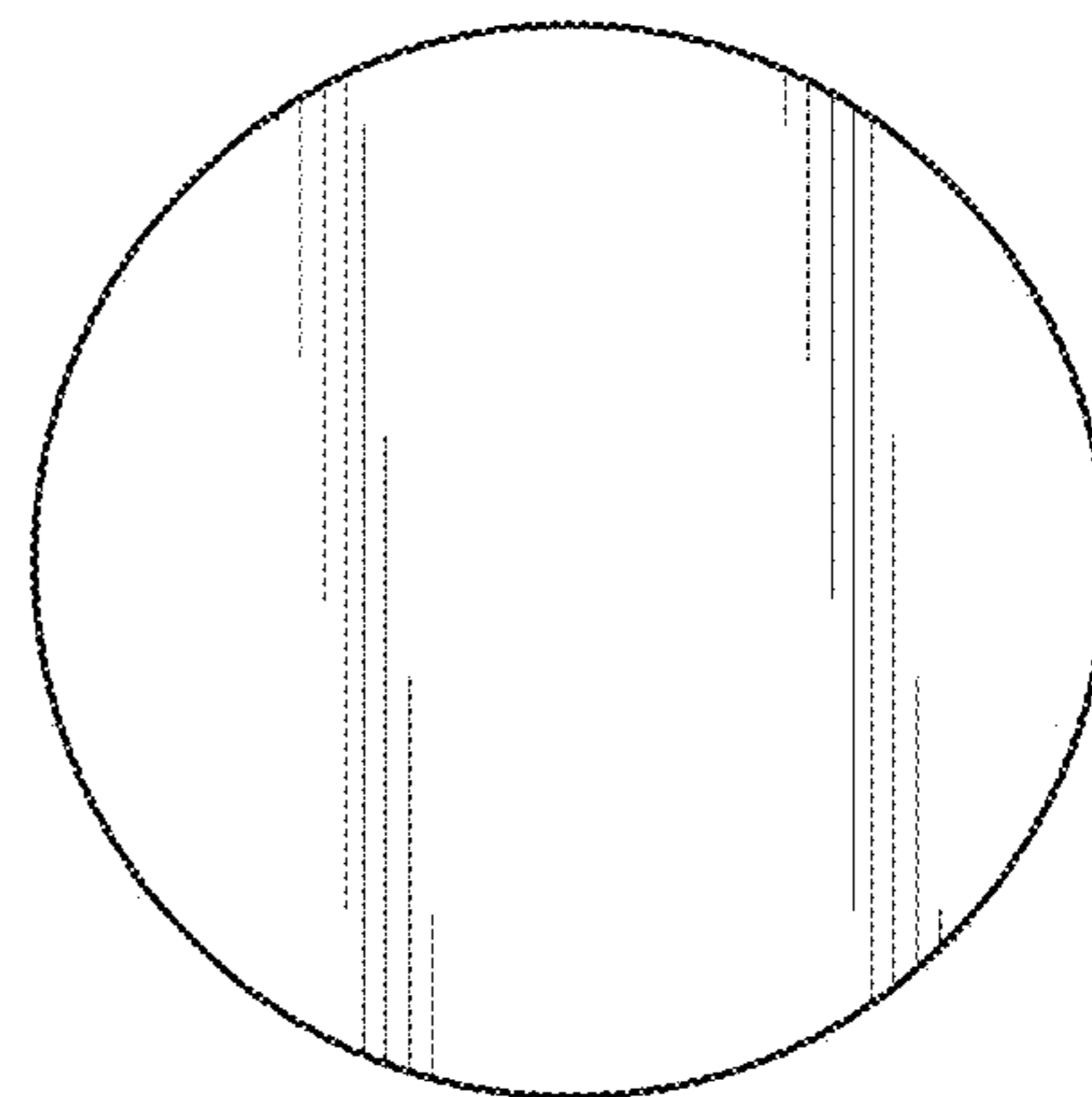
**FIG. 4**



**FIG. 5**



**FIG. 6**



**FIG. 7**