



US00D941896S

(12) **United States Design Patent**  
**Spieß et al.**

(10) **Patent No.:** **US D941,896 S**  
(45) **Date of Patent:** **\*\* Jan. 25, 2022**

- (54) **TOP BOX FOR GRAIN MILLING**
- (71) Applicant: **BÜHLER AG**, Uzwil (CH)
- (72) Inventors: **Dominic Spiess**, Uetikon (CH); **Lukas Studerus**, Niederuzwil (CH); **Daniel Mark**, Wil (CH); **Philippe Holenstein**, Henau (CH); **Daniel Rickenbach**, Wittenwil (CH)
- (73) Assignee: **BÜHLER AG**, Uzwil (CH)
- (\*\*) Term: **15 Years**
- (21) Appl. No.: **29/740,599**
- (22) Filed: **Jul. 6, 2020**

**Related U.S. Application Data**

- (62) Division of application No. 35/506,827, filed on Nov. 28, 2018 (U.S. filing date under 35 U.S.C. 384), and having an international filing date of Nov. 28, 2018, now Pat. No. Des. 924,947.

(30) **Foreign Application Priority Data**

May 28, 2018 (WO) ..... 7641901

- (51) **LOC (13) Cl.** ..... **15-09**

- (52) **U.S. Cl.**  
USPC ..... **D15/131**  
CPC ..... **B02C 7/06** (2013.01)

- (58) **Field of Classification Search**  
USPC ..... D15/122-143; D41/194, 225, 227;  
241/194, 225, 227  
CPC ..... B02C 15/04; B02C 15/00; B02C 15/007;  
B02C 7/06; B02C 9/00; B02C 11/04  
See application file for complete search history.

(56) **References Cited**

**U.S. PATENT DOCUMENTS**

- 3,881,663 A 5/1975 Brown
- 4,202,503 A 5/1980 Parkinson et al.

- D305,529 S 1/1990 Milby et al.
- D400,895 S 11/1998 Schrepfer
- D401,248 S 11/1998 Schrepfer
- D549,247 S 8/2007 Yorioka et al.
- D549,747 S 8/2007 Nakano
- D552,134 S 10/2007 Nakano
- D612,873 S 3/2010 Spinelli et al.
- D651,622 S 1/2012 Tobler
- D666,638 S 9/2012 Tobler
- D667,032 S 9/2012 Egami

(Continued)

*Primary Examiner* — Richard E Chilcot

(74) *Attorney, Agent, or Firm* — Fitch and Maloney, PLLC; Michael J. Bujold; Jay S. Franklin

(57) **CLAIM**

We claim the ornamental design for a top box for grain milling, as shown and described.

**DESCRIPTION**

The patent or application file contains at least one drawing executed in color. Copies of this patent or patent application publication with color drawing(s) will be provided by the Office upon request and payment of the necessary fee.

FIG. 1 is a top, front, right side perspective view of the top box design for grain milling;

FIG. 2 is a front elevational view thereof;

FIG. 3 is a right side view thereof;

FIG. 4 is a rear view thereof;

FIG. 5 is a left side view thereof;

FIG. 6 is a top plan view thereof;

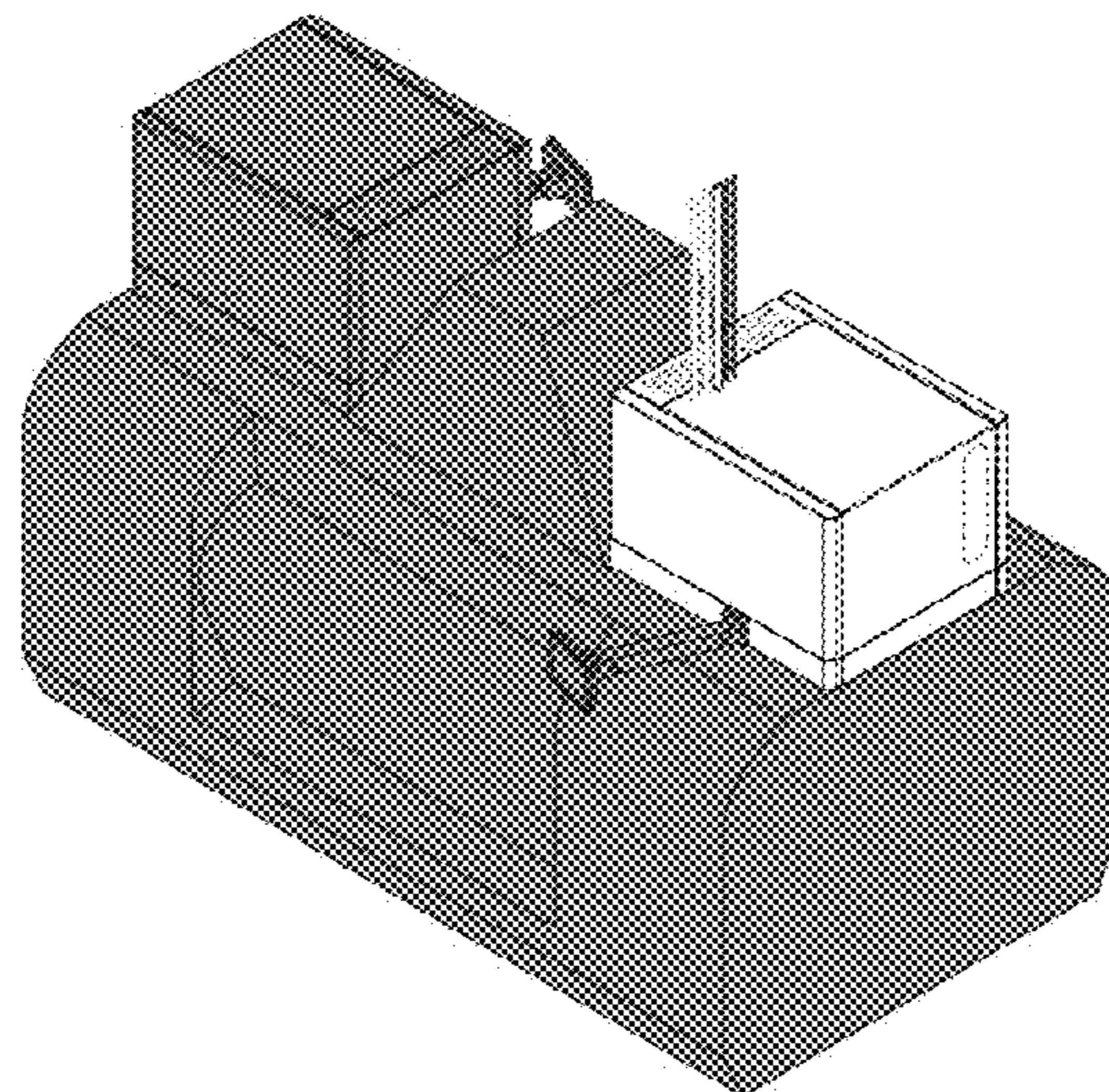
FIG. 7 is a bottom plan view thereof; and,

FIG. 8 is a top, front, left side perspective thereof.

The portion of the design shown in red is for the purpose of illustrating a grain mill and forms no part of the claimed design.

The broken lines shown in the claimed portion of the design form no part of the claimed design.

**1 Claim, 8 Drawing Sheets**  
**(8 of 8 Drawing Sheet(s) Filed in Color)**



(56)

**References Cited**

U.S. PATENT DOCUMENTS

|              |         |                   |         |
|--------------|---------|-------------------|---------|
| D734,374 S   | 7/2015  | Kalettka          |         |
| D765,155 S   | 8/2016  | Rickenbach et al. |         |
| D775,246 S   | 12/2016 | Seal et al.       |         |
| 9,517,540 B1 | 12/2016 | Dring et al.      |         |
| D812,230 S * | 3/2018  | Silvonen .....    | D24/177 |
| D837,271 S   | 1/2019  | Tinius            |         |
| D853,459 S   | 7/2019  | Huotari           |         |
| D855,088 S   | 7/2019  | Tinius            |         |
| D895,698 S * | 9/2020  | Palmer .....      | D15/122 |

\* cited by examiner

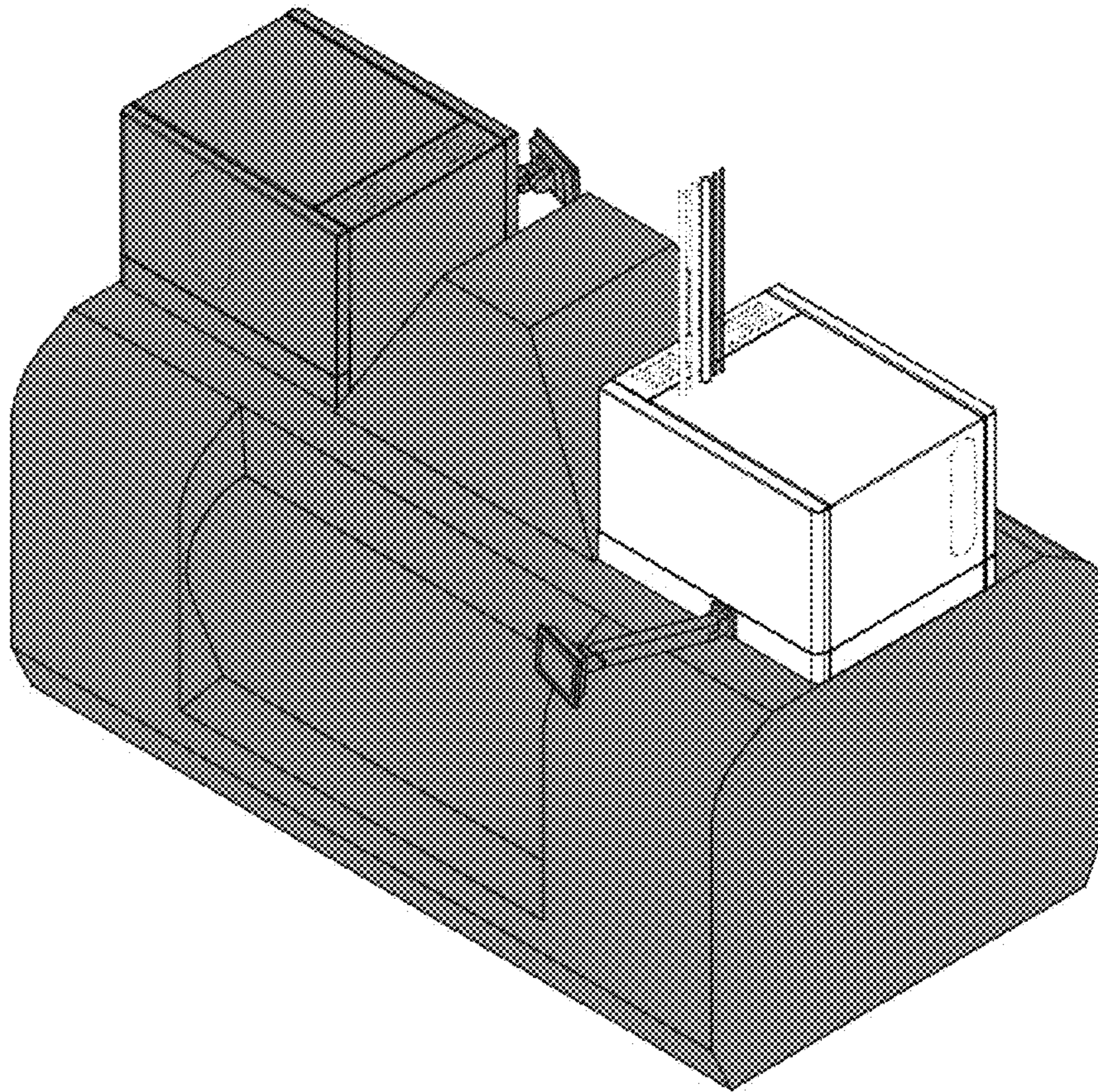


Fig. 1

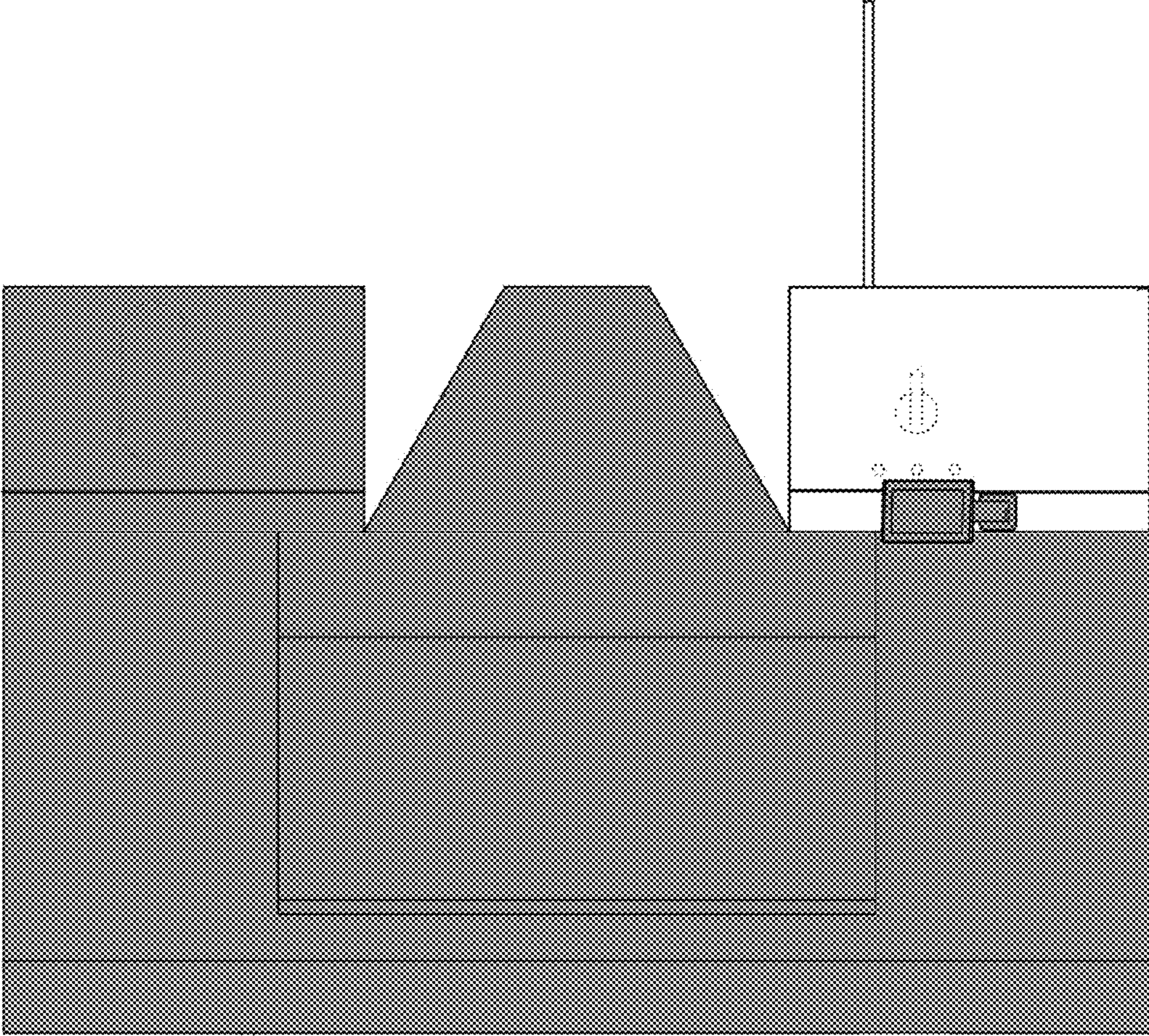


Fig. 2

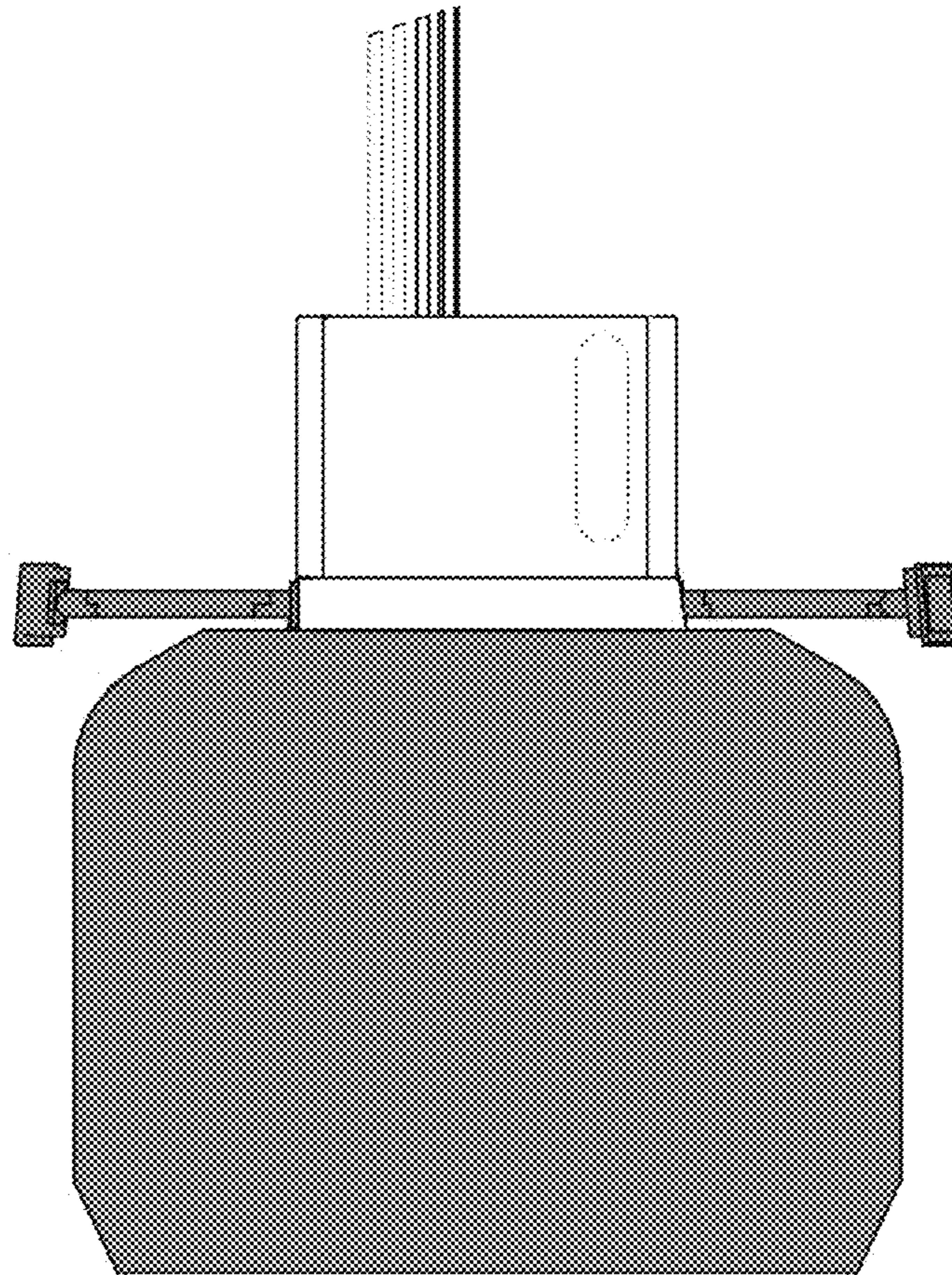


Fig. 3

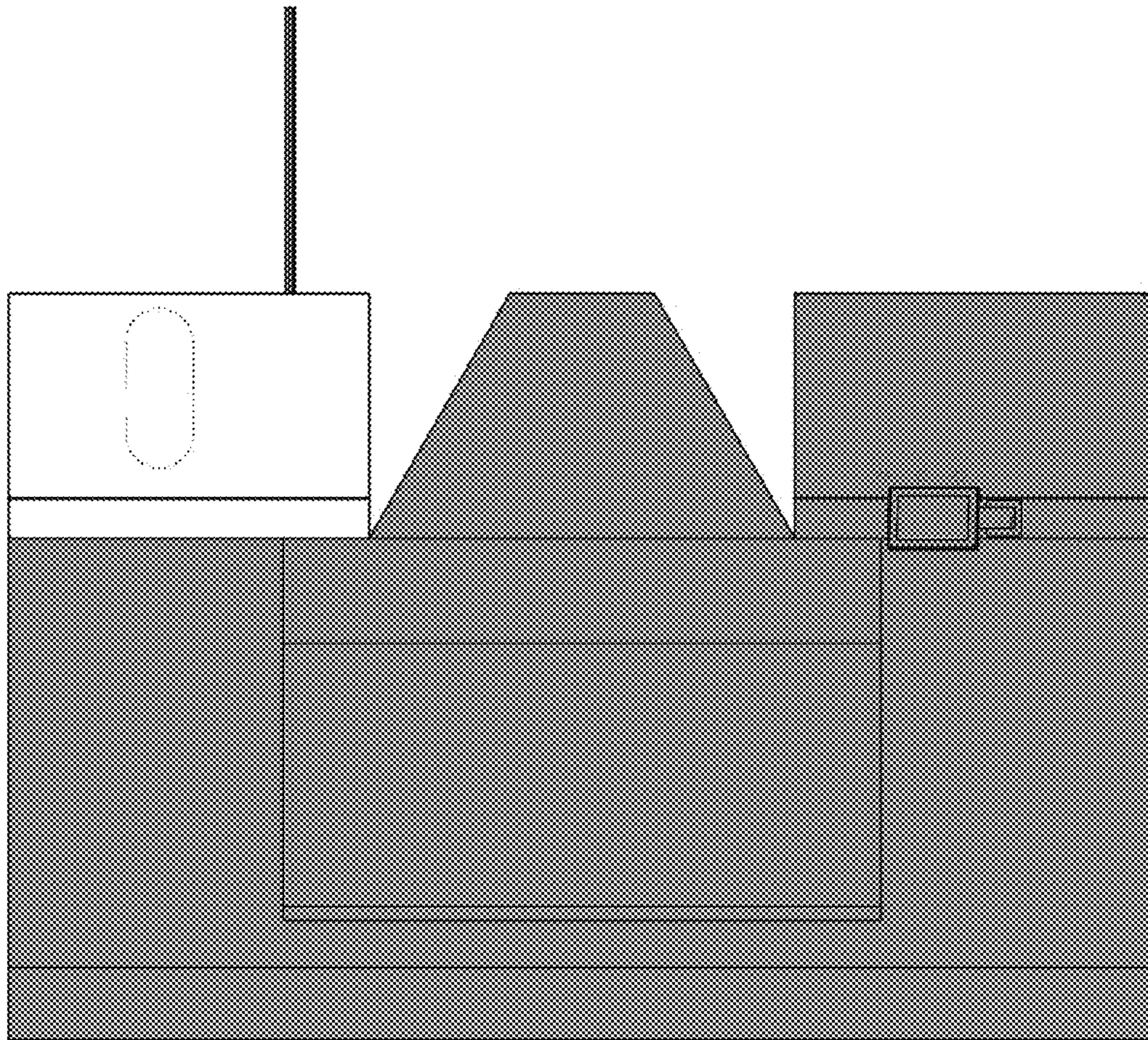


Fig. 4

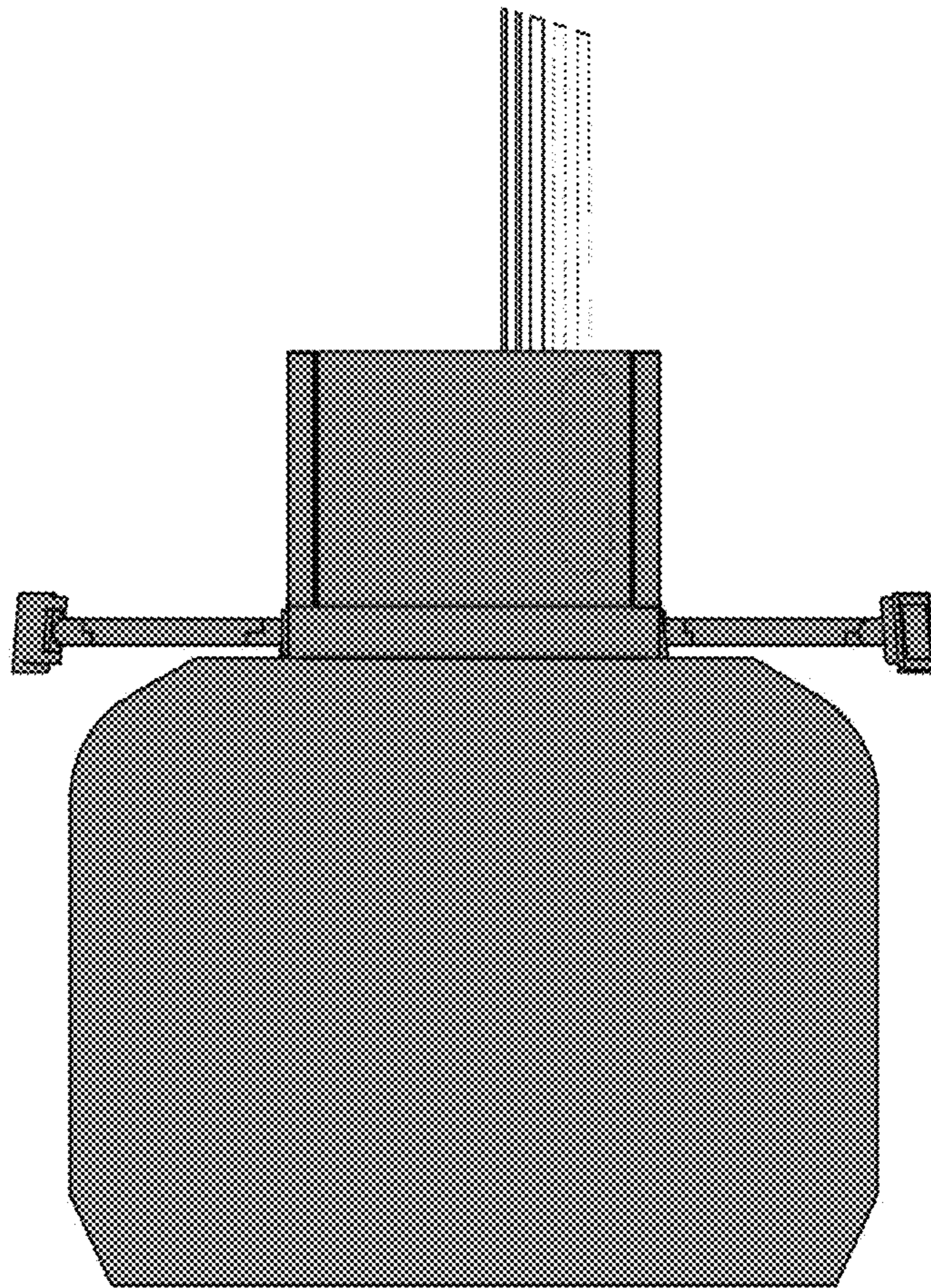


Fig. 5

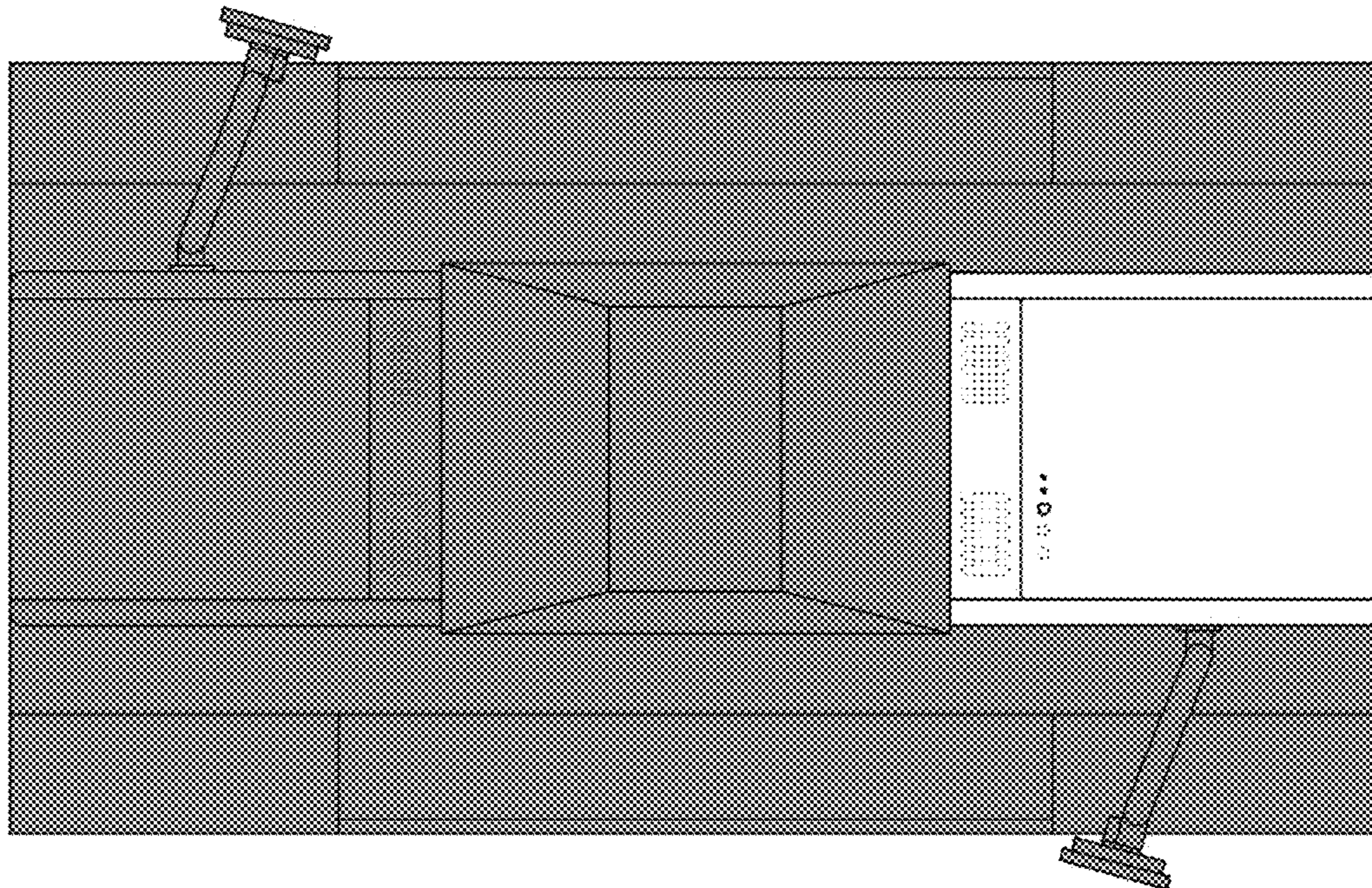


Fig. 6



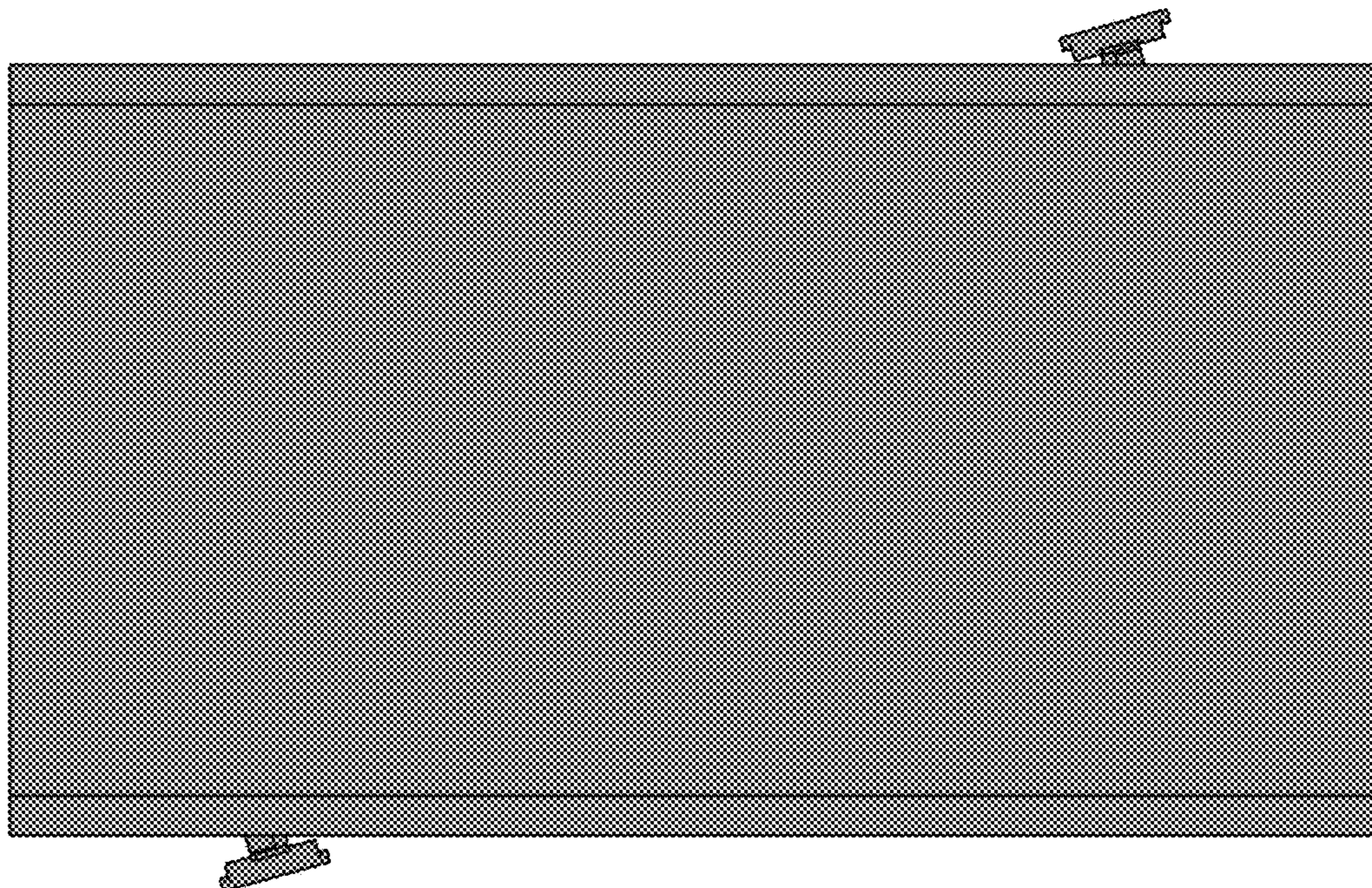


Fig. 7

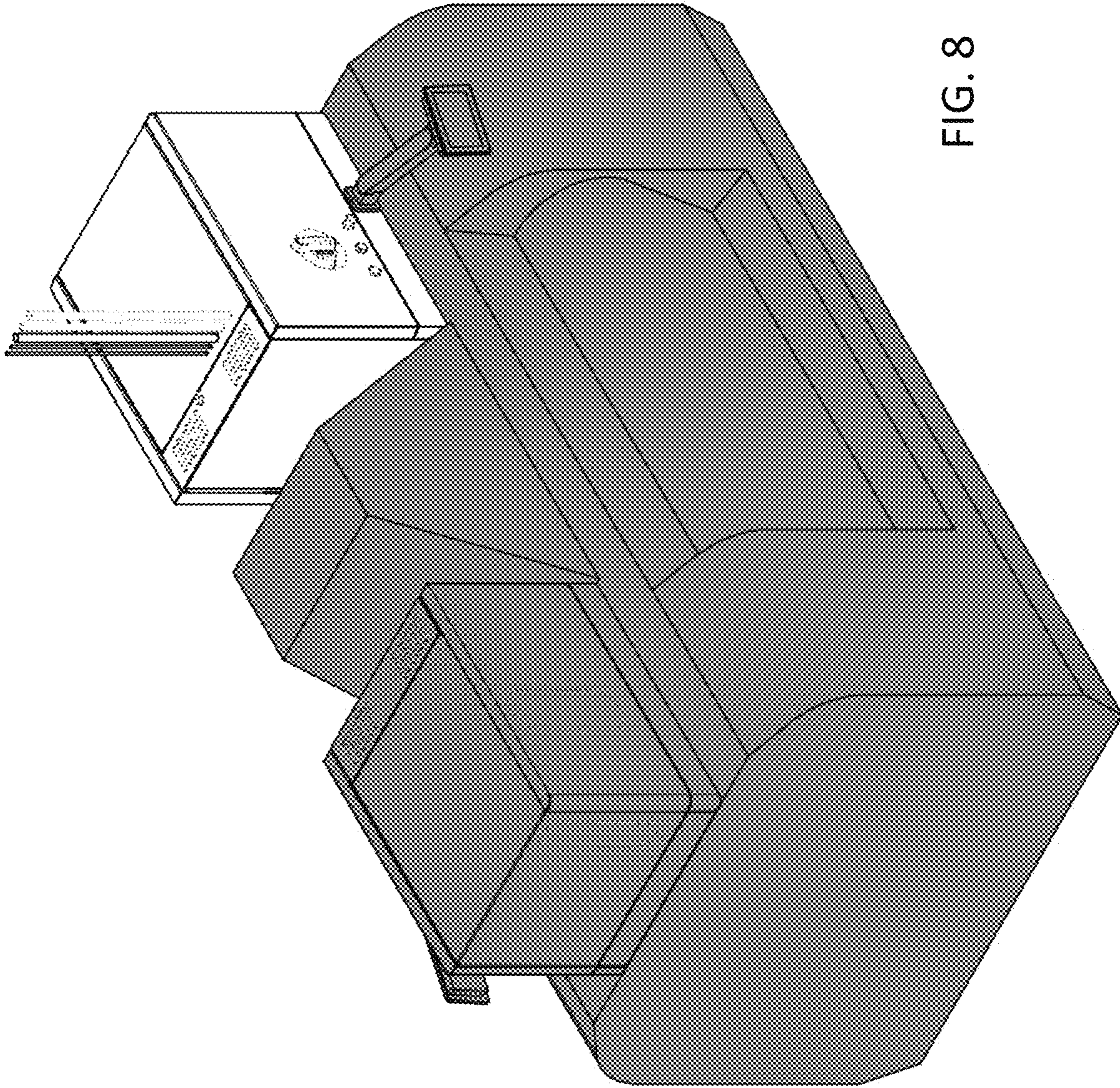


FIG. 8