



US00D941894S

(12) **United States Design Patent**
Mordarski et al.

(10) **Patent No.:** **US D941,894 S**
(45) **Date of Patent:** **** Jan. 25, 2022**

(54) **LASER BEAM-COMBINING ENGINE WITH BEAM-SHAPING MODULE**

(71) Applicant: **PANASONIC INTELLECTUAL PROPERTY MANAGEMENT CO., LTD**, Osaka (JP)

(72) Inventors: **Mark Mordarski**, Tewksbury, MA (US); **Bryan Lochman**, Nashville, TN (US)

(73) Assignee: **PANASONIC INTELLECTUAL PROPERTY MANAGEMENT CO., LTD**, Osaka (JP)

(**) Term: **15 Years**

(21) Appl. No.: **29/737,723**

(22) Filed: **Jun. 11, 2020**

(51) **LOC (13) Cl.** **15-09**

(52) **U.S. Cl.**
USPC **D15/127**

(58) **Field of Classification Search**
USPC 15/122, 127, 199
CPC H01S 3/036; H01S 3/073
See application file for complete search history.

(56) **References Cited**

U.S. PATENT DOCUMENTS

5,659,459	A *	8/1997	Wakabayashi	B41J 29/377 174/51
5,835,345	A *	11/1998	Staskus	H05K 7/20254 361/699
D647,929	S *	11/2011	Mesropyan	D15/199
D908,148	S *	1/2021	Chann	D15/127
D908,751	S *	1/2021	Chann	D15/127
D916,149	S *	4/2021	Sauter	D15/127
D917,587	S *	4/2021	Sauter	D15/127
D918,972	S *	5/2021	Chann	D15/127
2006/0243238	A1 *	11/2006	Anezaki	F02D 35/023 123/143 B

2009/0274176	A1 *	11/2009	O'Shaughnessy	...	G01N 21/255 372/9
2009/0284913	A1 *	11/2009	Wakabayashi	H04L 65/607 361/679.54
2009/0285256	A1 *	11/2009	Adamkiewicz	H01S 3/025 372/107
2010/0270273	A1 *	10/2010	Sekiya	H01L 21/78 219/121.6
2012/0177073	A1 *	7/2012	Stephens, IV	H01S 5/02423 372/35
2014/0041612	A1 *	2/2014	Furutani	F02P 23/04 123/143 B
2014/0200636	A1 *	7/2014	Reichert	A61N 5/0616 607/89

(Continued)

Primary Examiner — Patricia A Palasik

(74) *Attorney, Agent, or Firm* — Morgan, Lewis & Bockius LLP

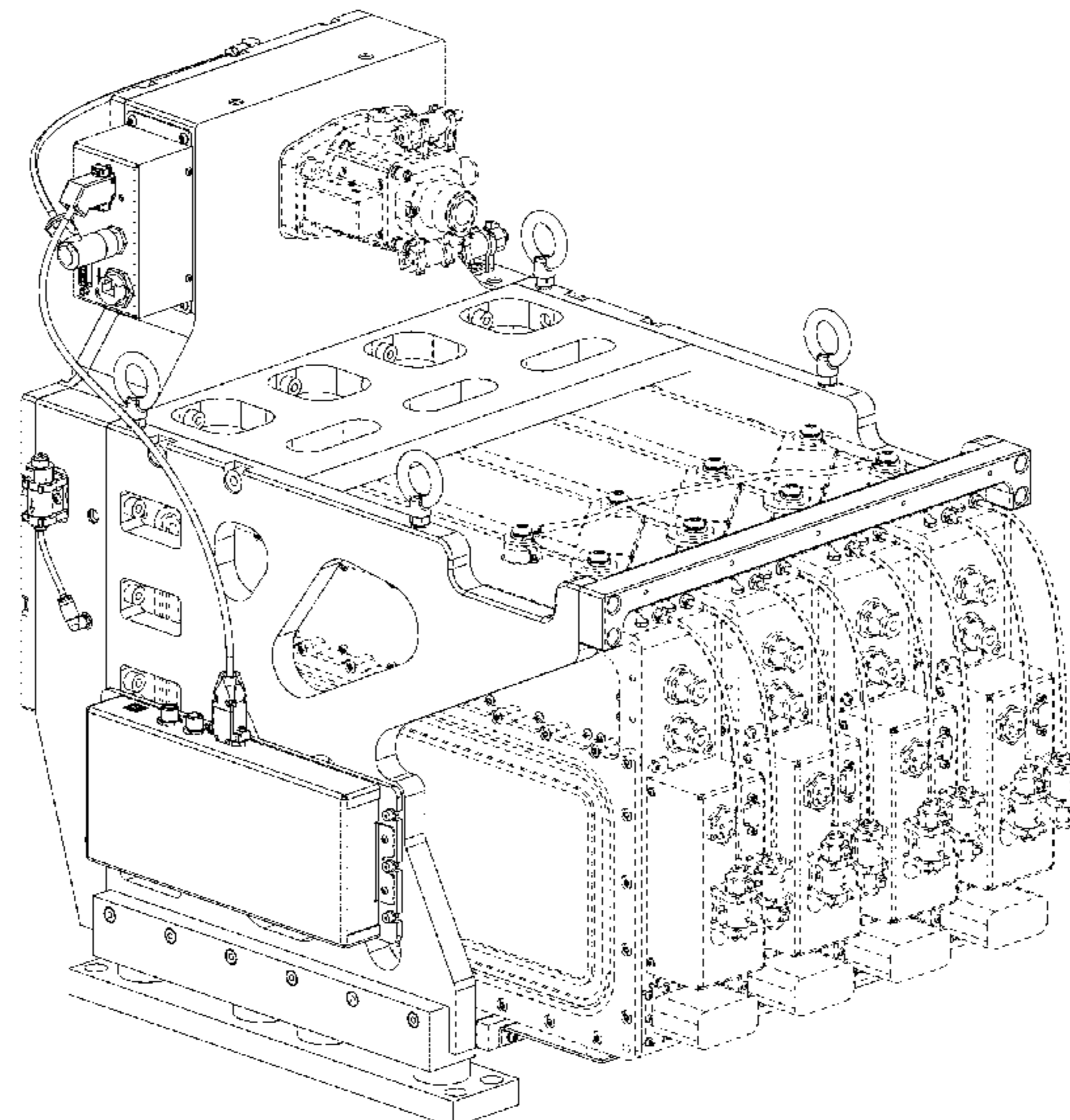
(57) **CLAIM**

The ornamental design for a laser beam-combining engine with beam-shaping module, substantially as shown and described.

DESCRIPTION

FIG. 1 is a perspective view of a laser beam-combining engine incorporating the design and including a beam-shaping module, an optional fiber optic module, and locations for one, two, three, or four laser resonators; FIG. 2 is a left-side elevation view thereof; FIG. 3 is a back view thereof; FIG. 4 is a right-side elevation view thereof; FIG. 5 is a front view thereof; FIG. 6 is a top view thereof; FIG. 7 is a bottom view thereof; and, FIG. 8 is another perspective view thereof. The broken lines showing features of the engine form no part of the claimed design.

1 Claim, 8 Drawing Sheets



(56)

References Cited

U.S. PATENT DOCUMENTS

2016/0028210 A1* 1/2016 O'Shaughnessy H01S 3/2383
372/34
2017/0160629 A1* 6/2017 Hachair H01S 5/023
2017/0250516 A1* 8/2017 Kiyosawa H01S 5/423
2017/0365978 A1* 12/2017 Man B23K 26/382
2018/0269656 A1* 9/2018 Hagita H01S 5/18313
2018/0348453 A1* 12/2018 Lee G02B 6/421
2020/0119511 A1* 4/2020 Lochman H01S 3/0405
2021/0167575 A1* 6/2021 Sauter H01S 5/02218

* cited by examiner

Fig. 1

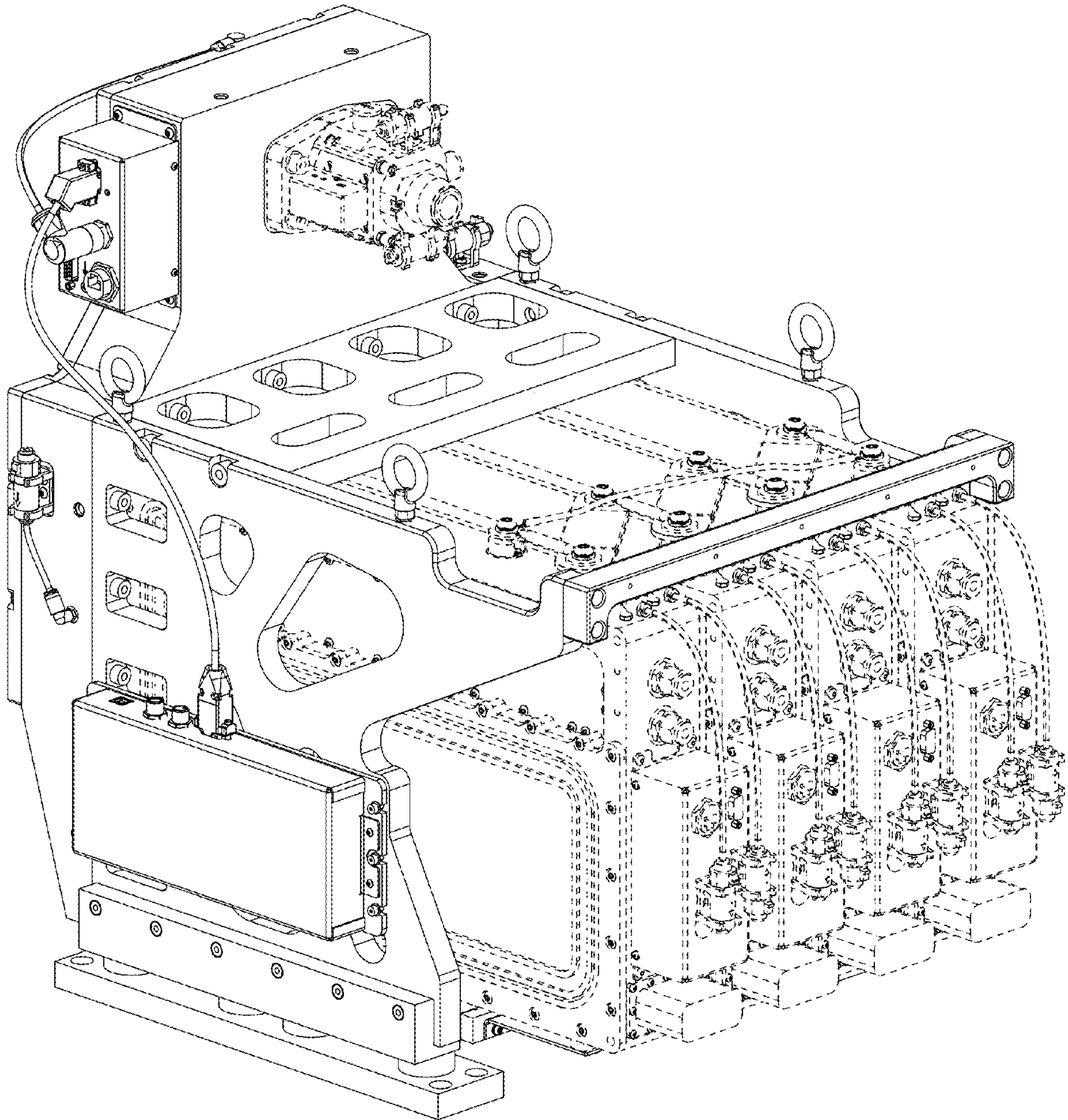


Fig. 2

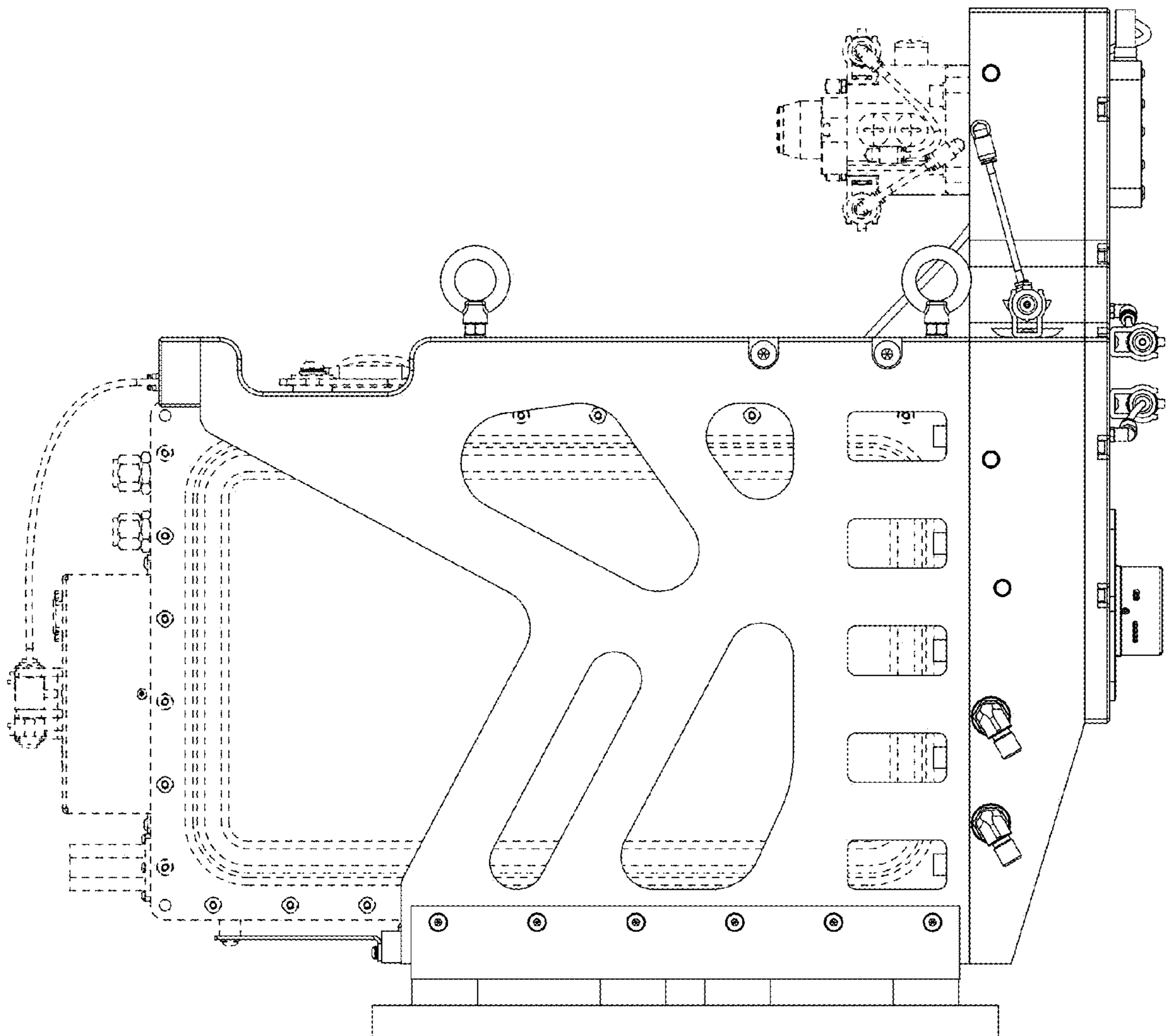


Fig. 3

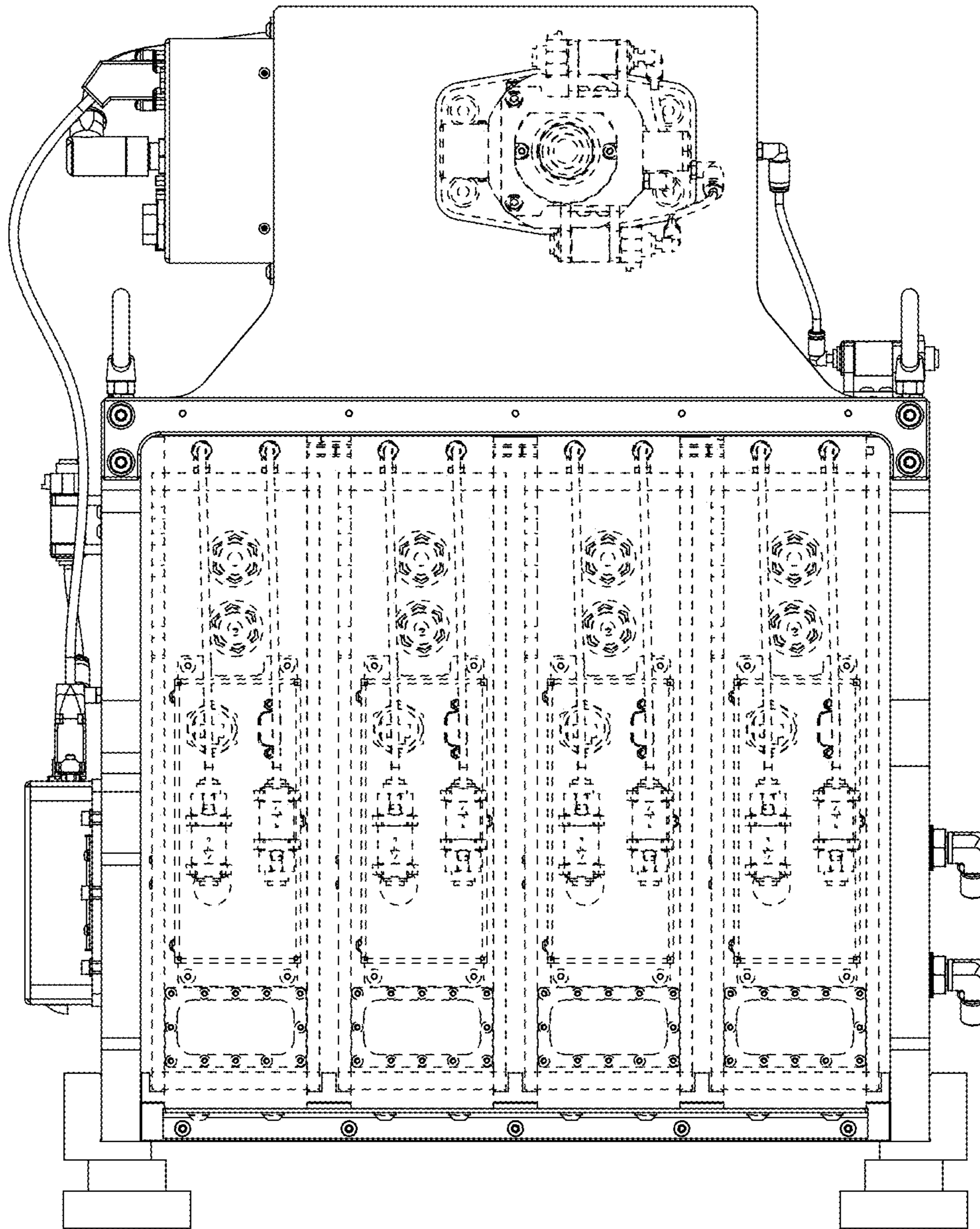


Fig. 4

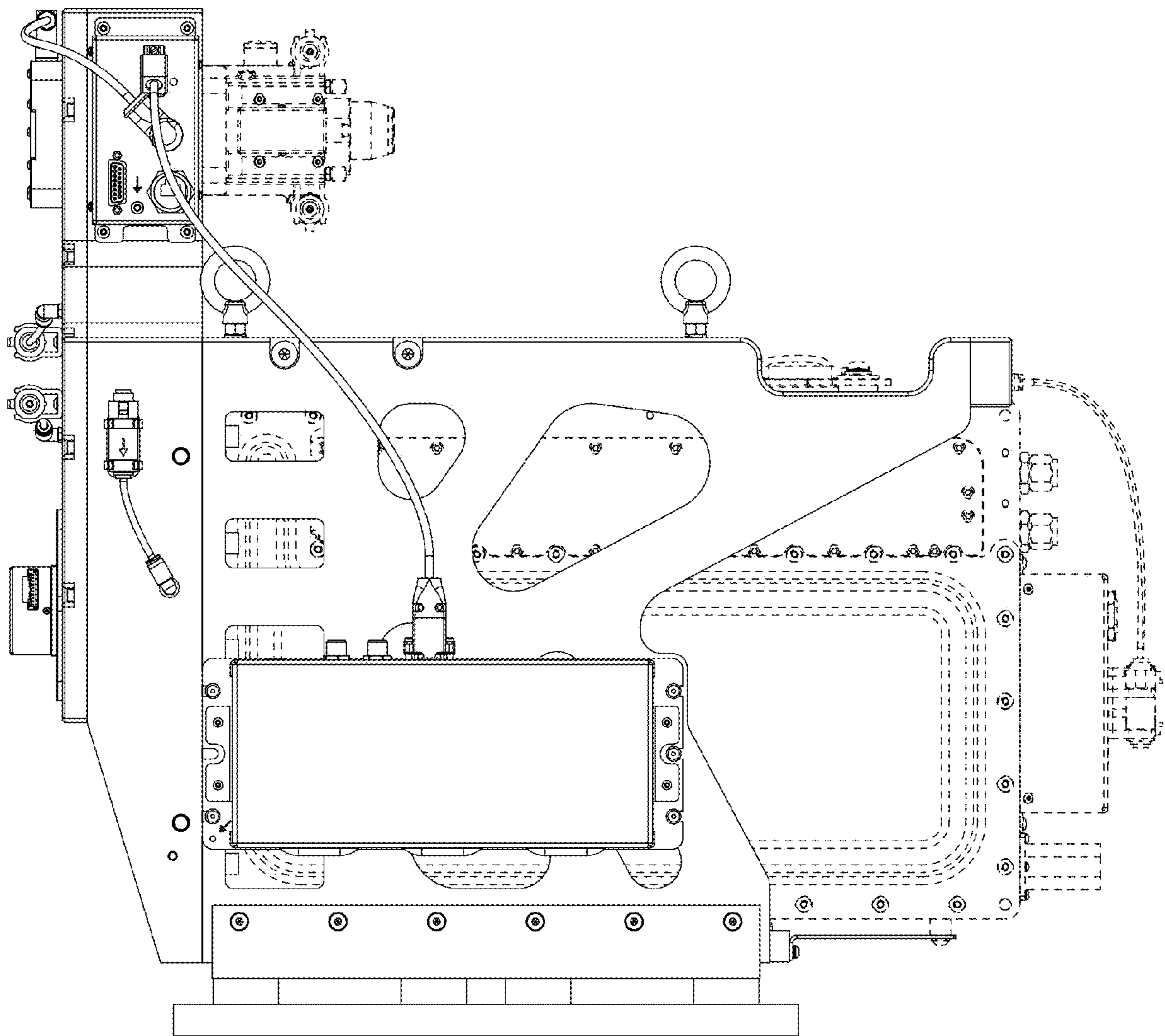


Fig. 5

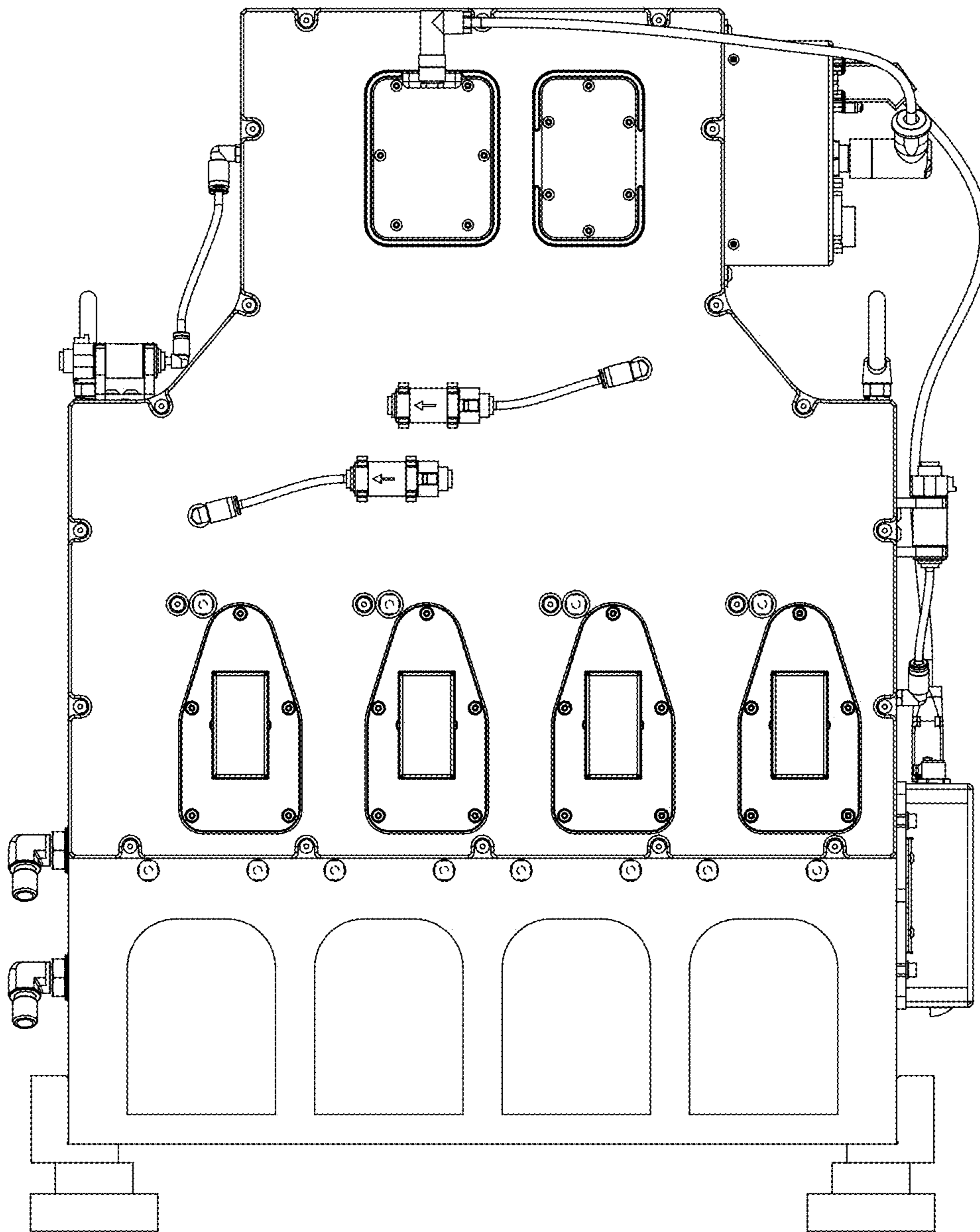


Fig. 6

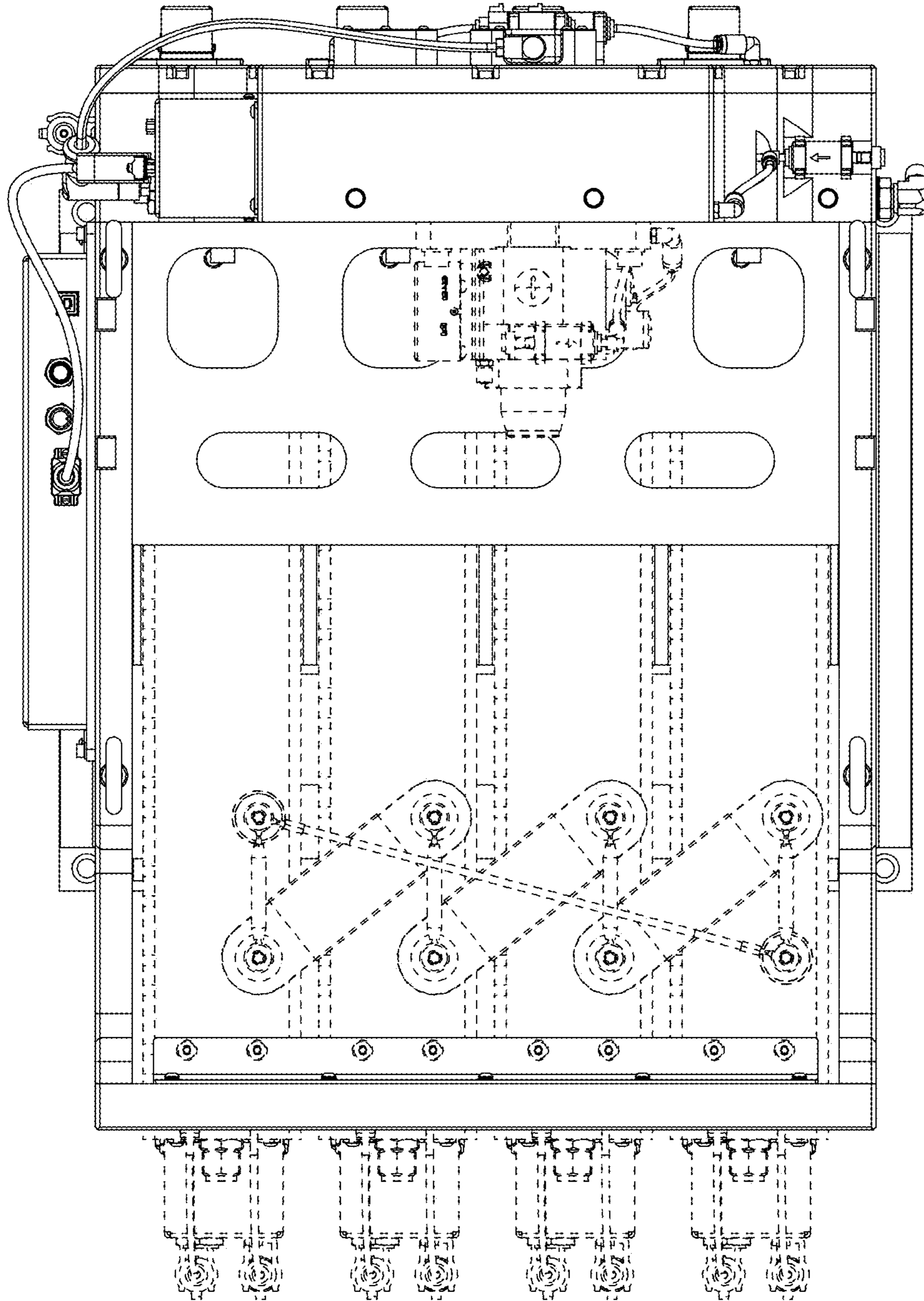


Fig. 7

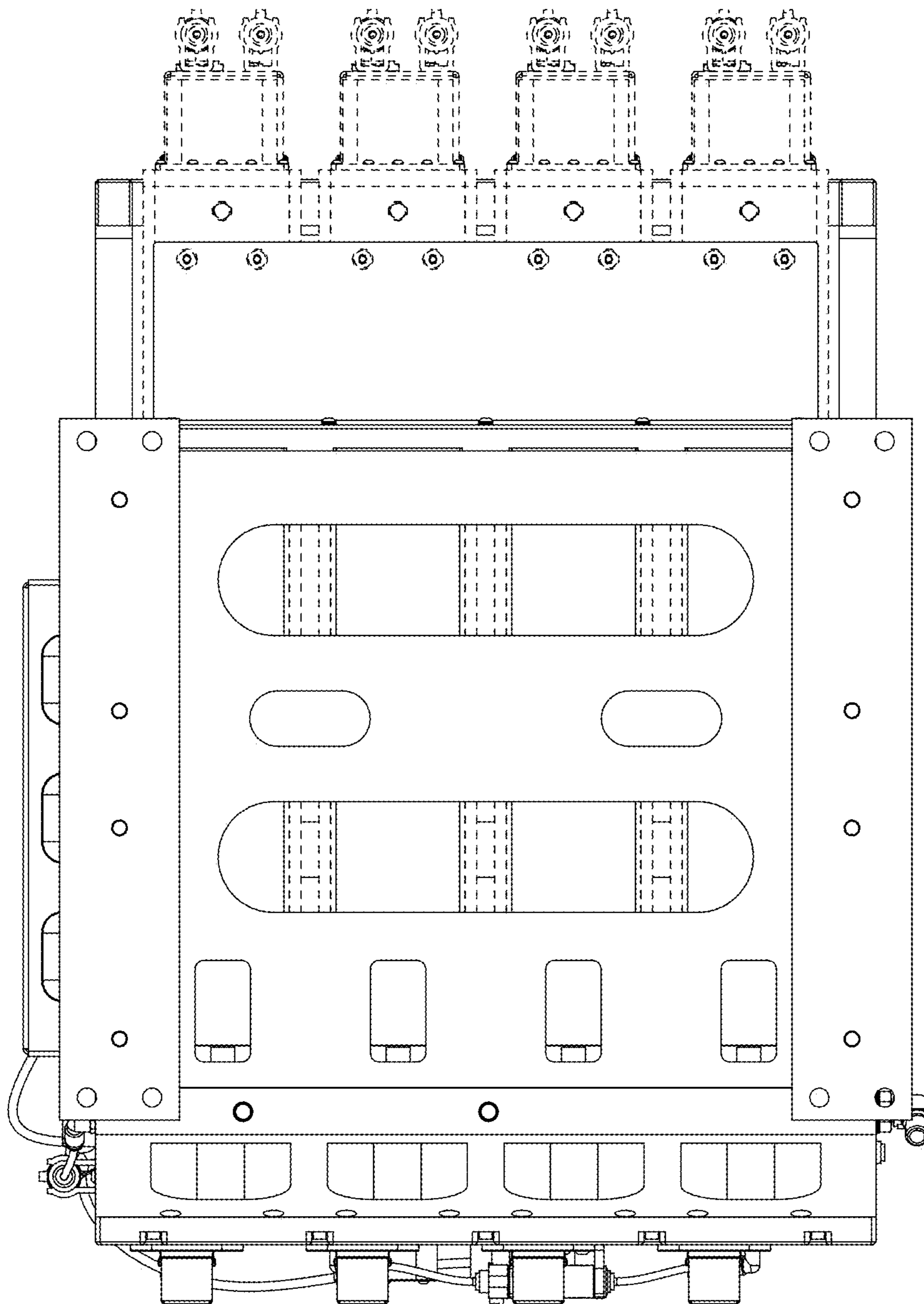


Fig. 8

