



US00D941892S

(12) **United States Design Patent** (10) **Patent No.:** **US D941,892 S**  
**Reches et al.** (45) **Date of Patent:** **\*\* \*Jan. 25, 2022**

(54) **POWDER SIFTER**  
(71) Applicant: **Formlabs, Inc.**, Somerville, MA (US)  
(72) Inventors: **Yoav Reches**, Cambridge, MA (US);  
**John E. Ouchterlony**, Cambridge, MA (US); **Brian Chan**, Cambridge, MA (US); **Kat Ely**, Somerville, MA (US); **Adam Lebovitz**, Cambridge, MA (US)

4,603,925 A \* 8/1986 Cuevas-Cumming .....  
A47B 21/00  
312/196  
D286,643 S \* 11/1986 Carney ..... D15/123  
D303,439 S \* 9/1989 Savio ..... D99/28  
5,143,102 A \* 9/1992 Blaul ..... B08B 3/006  
134/113

(Continued)

(73) Assignee: **Formlabs, Inc.**, Somerville, MA (US)  
(\* ) Notice: This patent is subject to a terminal disclaimer.  
(\*\*) Term: **15 Years**

OTHER PUBLICATIONS  
Formlabs, Fuse Sift “All-In-One Powder Recovery for the Fuse 1”, (site visited May 6, 2021), Formlabs.com, URL:<https://formlabs.com/post-processing/fuse-sift/> (Year: 2021).\*  
(Continued)

(21) Appl. No.: **29/739,152**  
(22) Filed: **Jun. 23, 2020**  
(51) **LOC (13) Cl.** ..... **15-09**  
(52) **U.S. Cl.**  
USPC ..... **D15/122**; D15/199  
(58) **Field of Classification Search**  
USPC ..... D15/20, 21, 83, 122–125, 135, 141,  
D15/141.1, 145, 147, 199; D34/1.1;  
D7/339, 374, 386, 667, 668; D25/33;  
D99/99  
CPC ... B24C 9/00; B01F 5/06; B08B 15/02; B07B  
1/22; B05C 15/00  
See application file for complete search history.

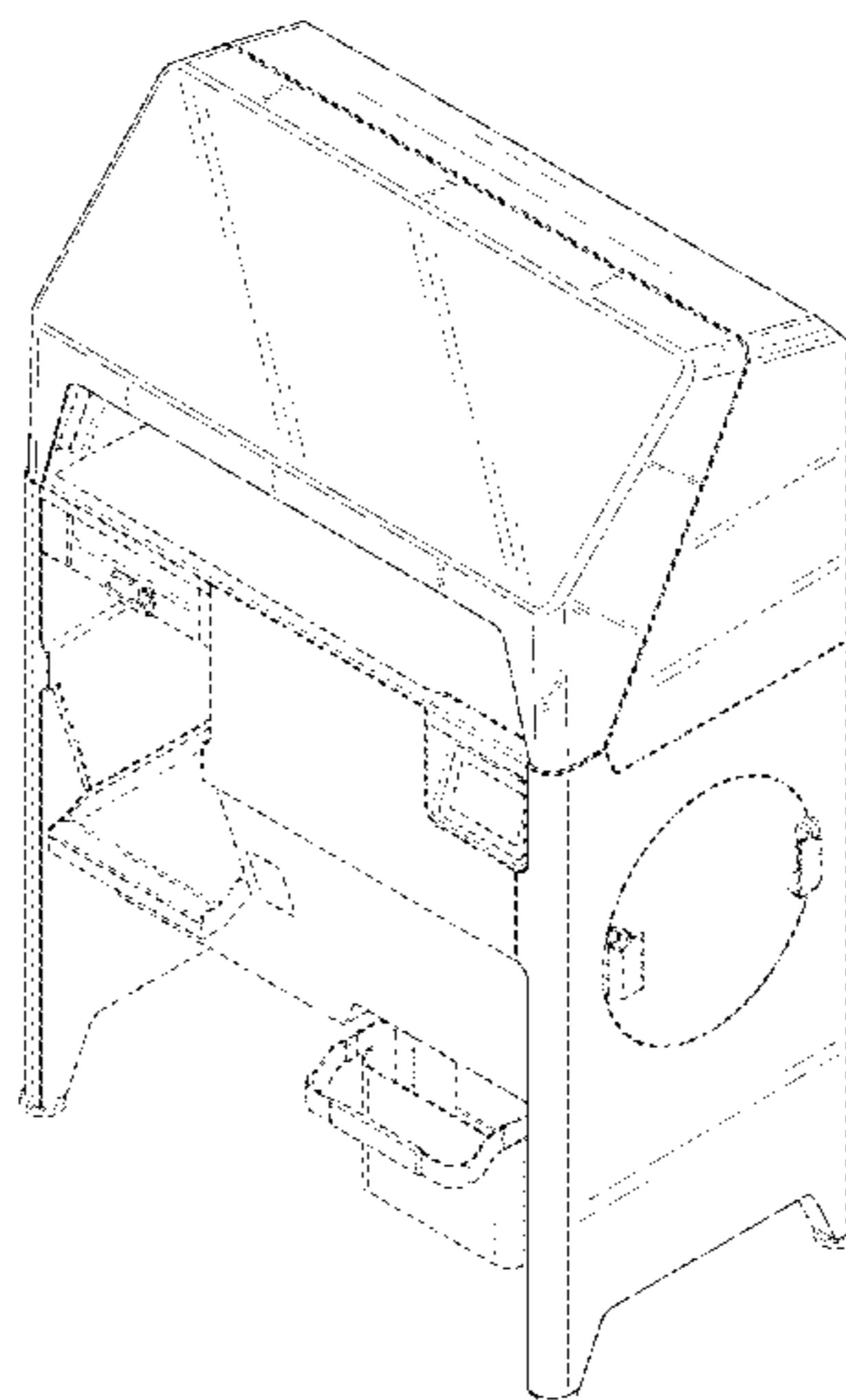
*Primary Examiner* — Calvin E Vansant  
*Assistant Examiner* — Mark T. Philipps  
(74) *Attorney, Agent, or Firm* — Wolf, Greenfield & Sacks, P.C.

(56) **References Cited**  
U.S. PATENT DOCUMENTS  
2,163,766 A \* 6/1939 Spencer ..... B01F 5/06  
209/244  
2,369,396 A \* 2/1945 Higginbotham ..... A61G 11/00  
600/22  
2,721,779 A \* 10/1955 Fulkerson ..... B25H 3/02  
312/351.8  
D250,196 S \* 11/1978 Caccioli ..... D15/124  
4,300,318 A \* 11/1981 Brown ..... B24C 3/02  
451/38  
D273,195 S \* 3/1984 Ferdinand ..... D15/141

(57) **CLAIM**  
The ornamental design for a powder sifter, as shown and described.

**DESCRIPTION**  
FIG. 1 is a top, front, right side perspective view of a powder sifter according to our new design;  
FIG. 2 is a top, front, left side perspective view thereof;  
FIG. 3 is a front elevation view thereof;  
FIG. 4 is a rear elevation view thereof;  
FIG. 5 is a left side elevation view thereof;  
FIG. 6 is a right side elevation view thereof;  
FIG. 7 is a top plan view thereof; and,  
FIG. 8 is a bottom plan view thereof.  
The dash-dash broken lines illustrate portions of the powder sifter that form no part of the claimed design. The dot-dash broken lines represents boundaries of the claimed design and form no part of the claimed design.

**1 Claim, 8 Drawing Sheets**





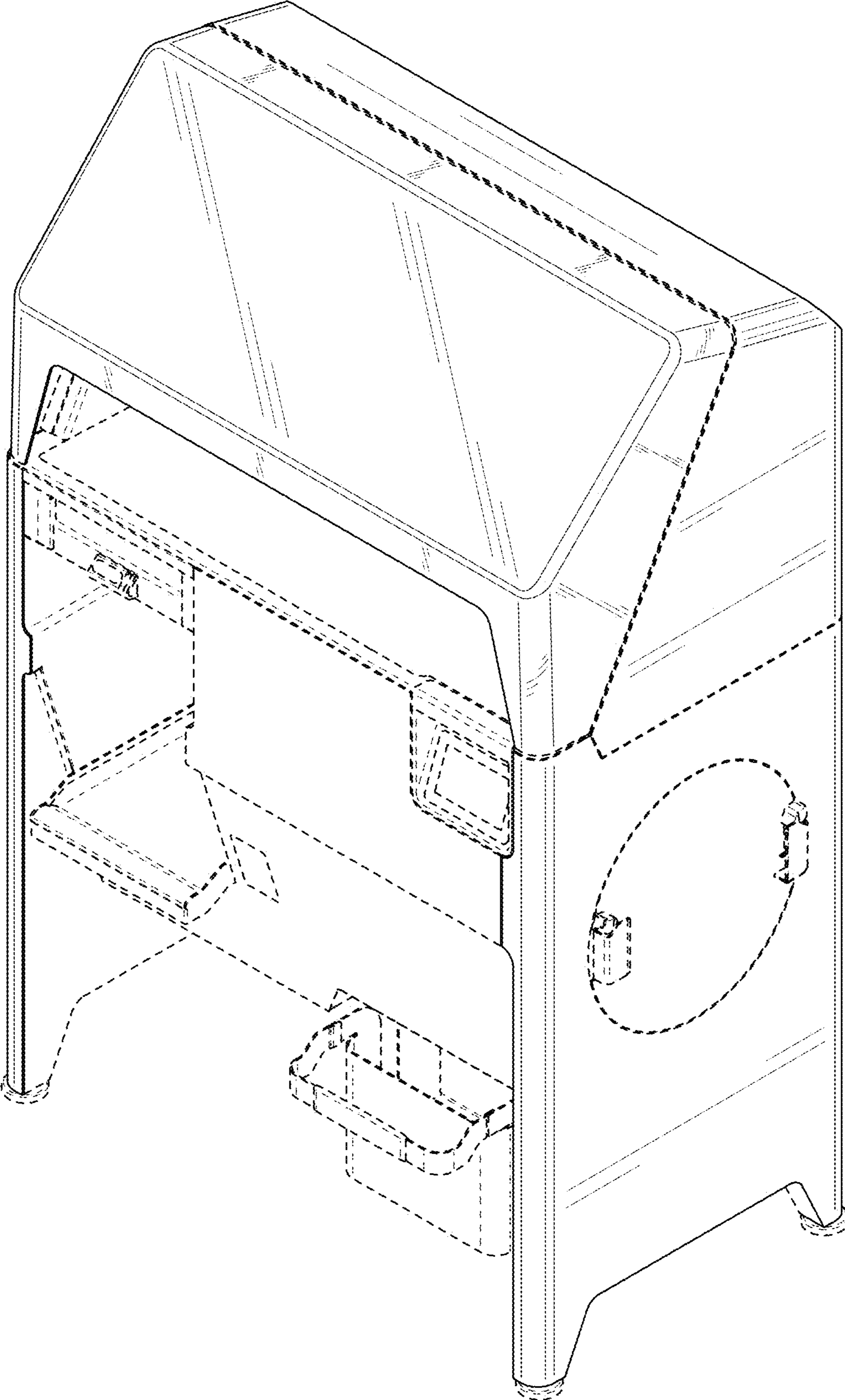


FIG. 1

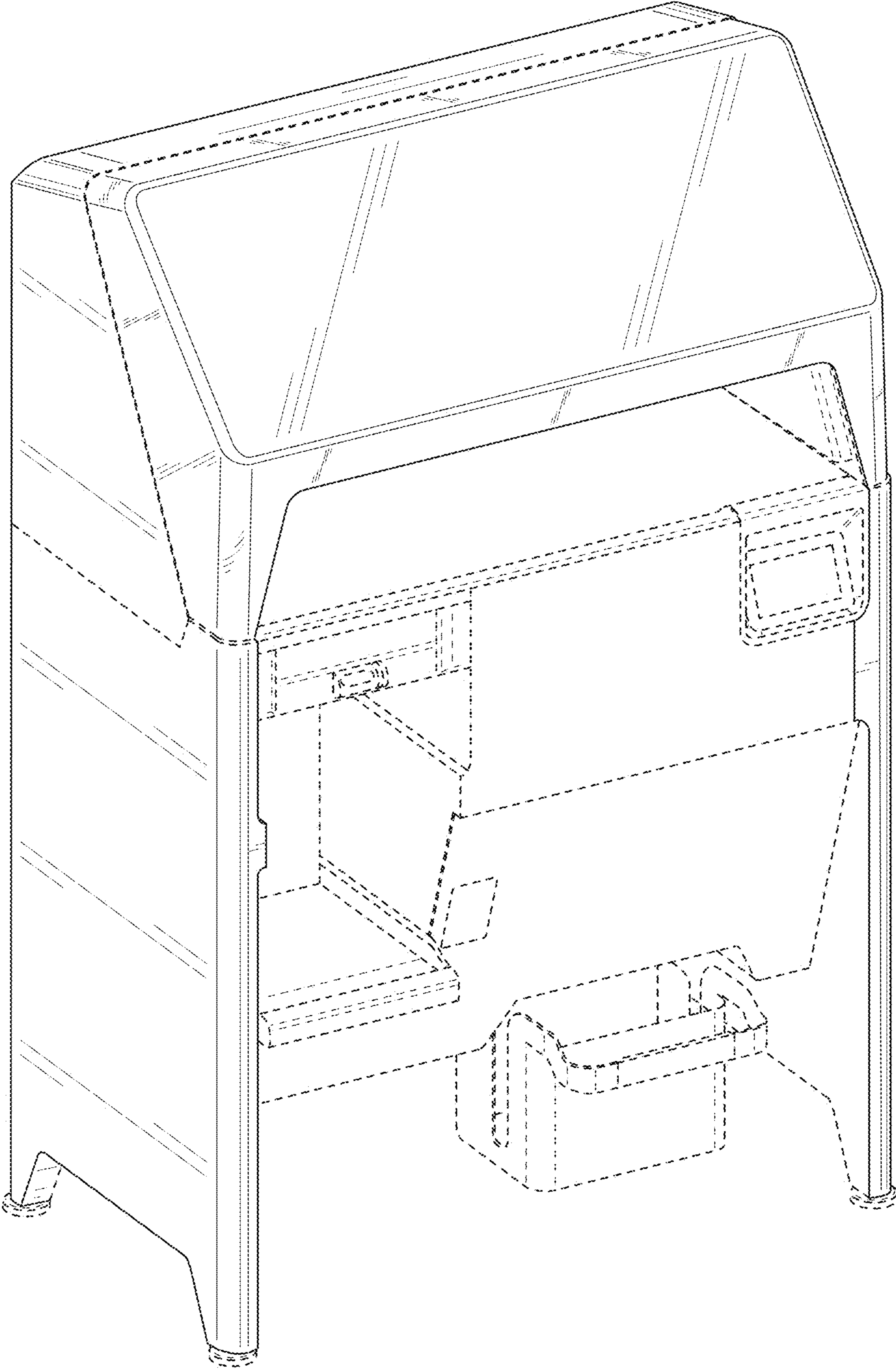


FIG. 2

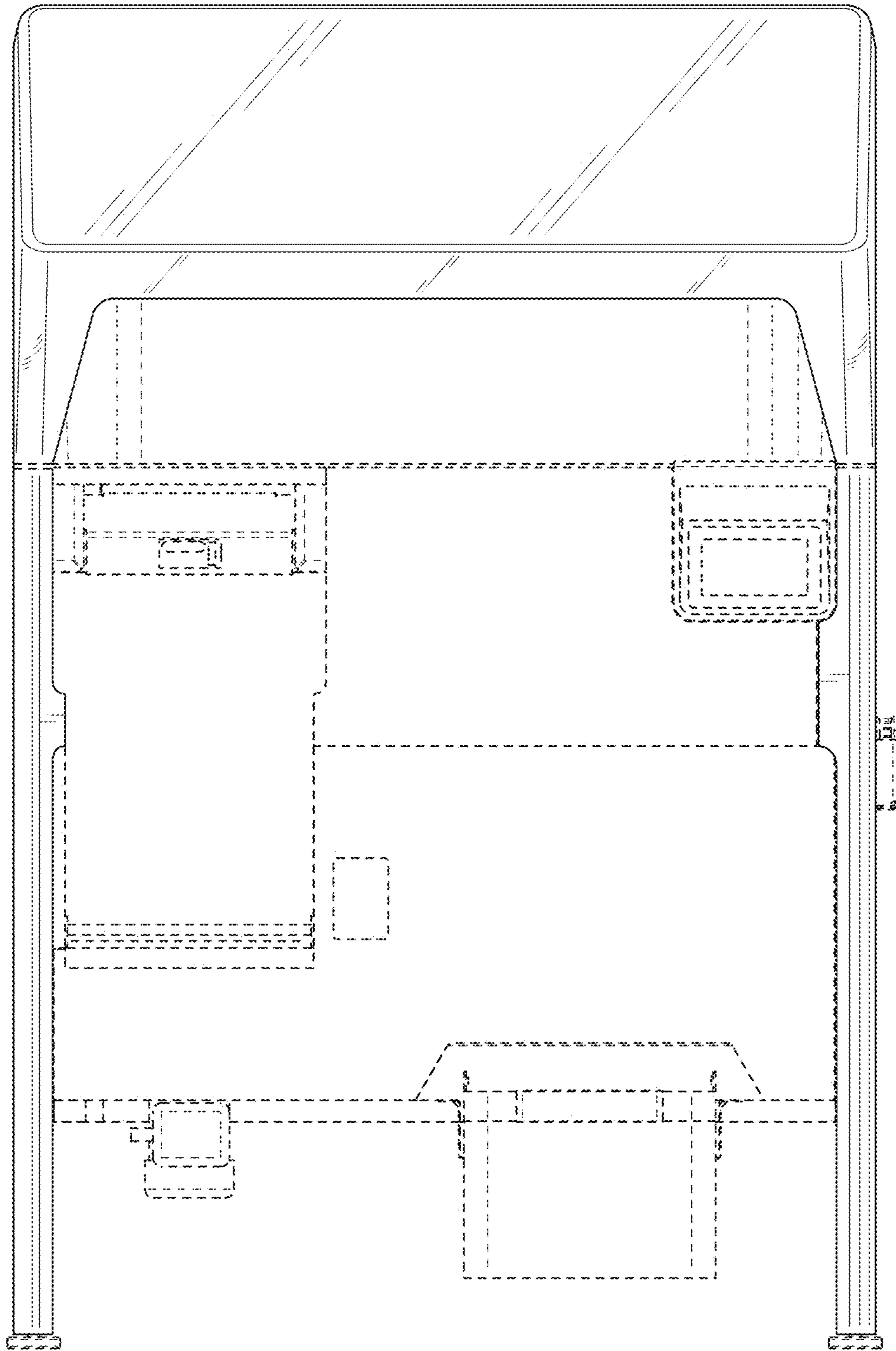


FIG. 3

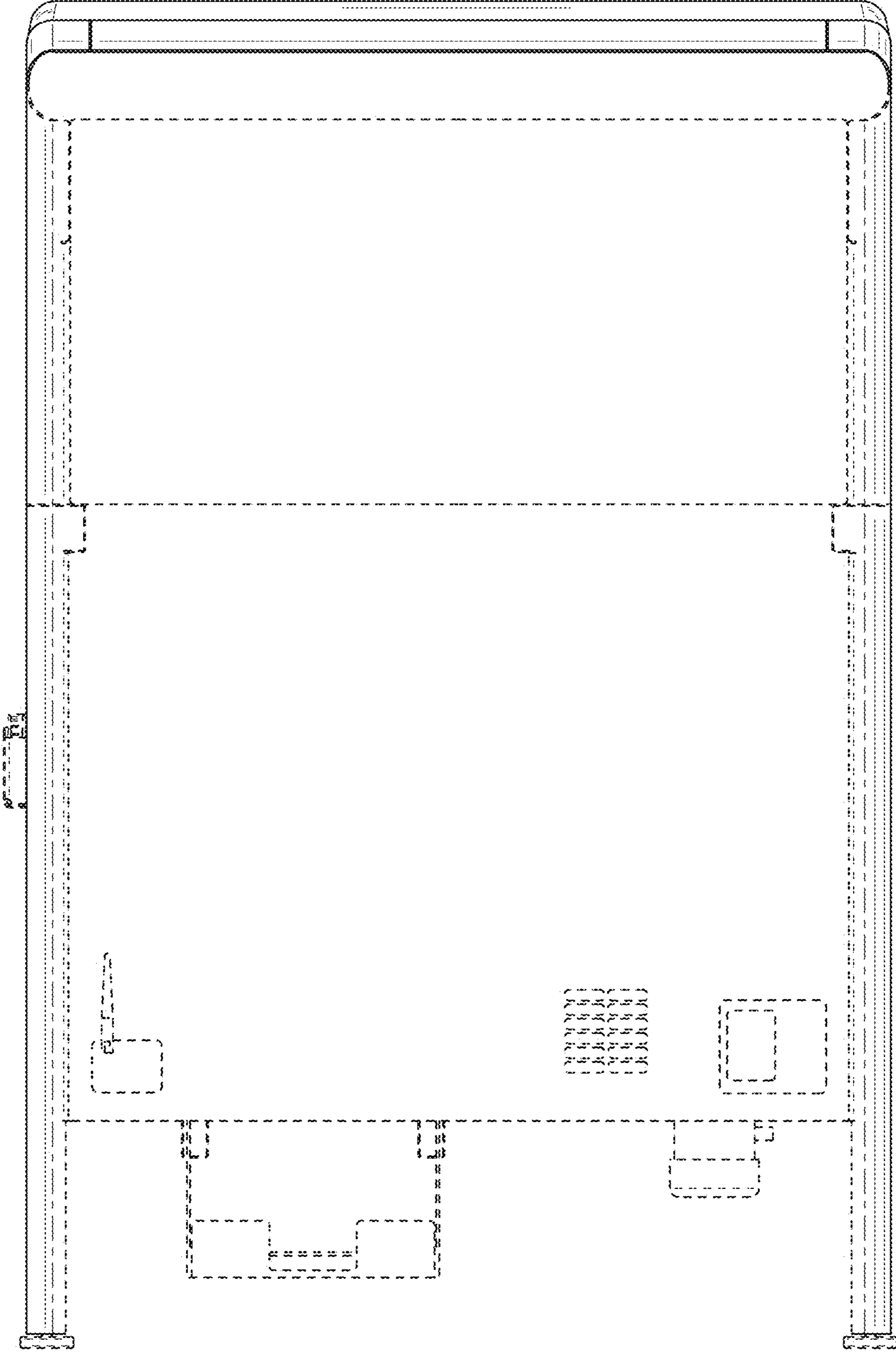


FIG. 4

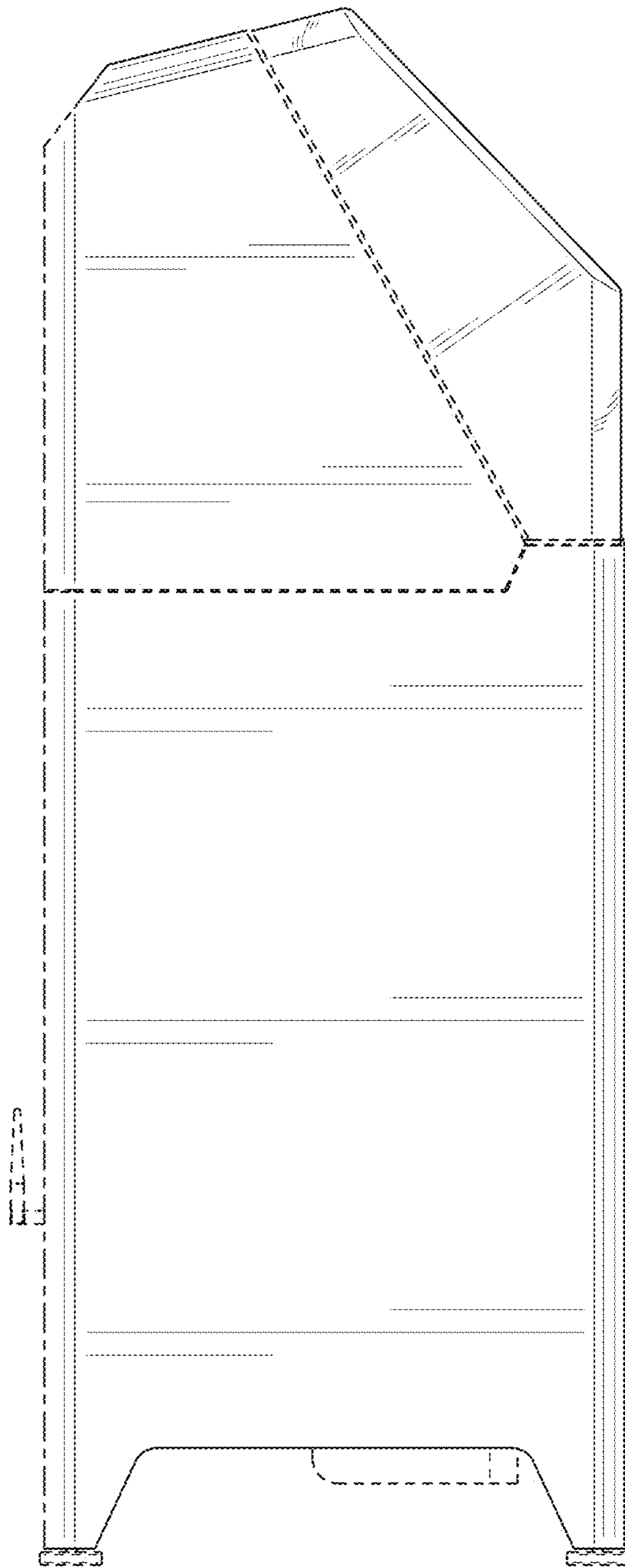


FIG. 5

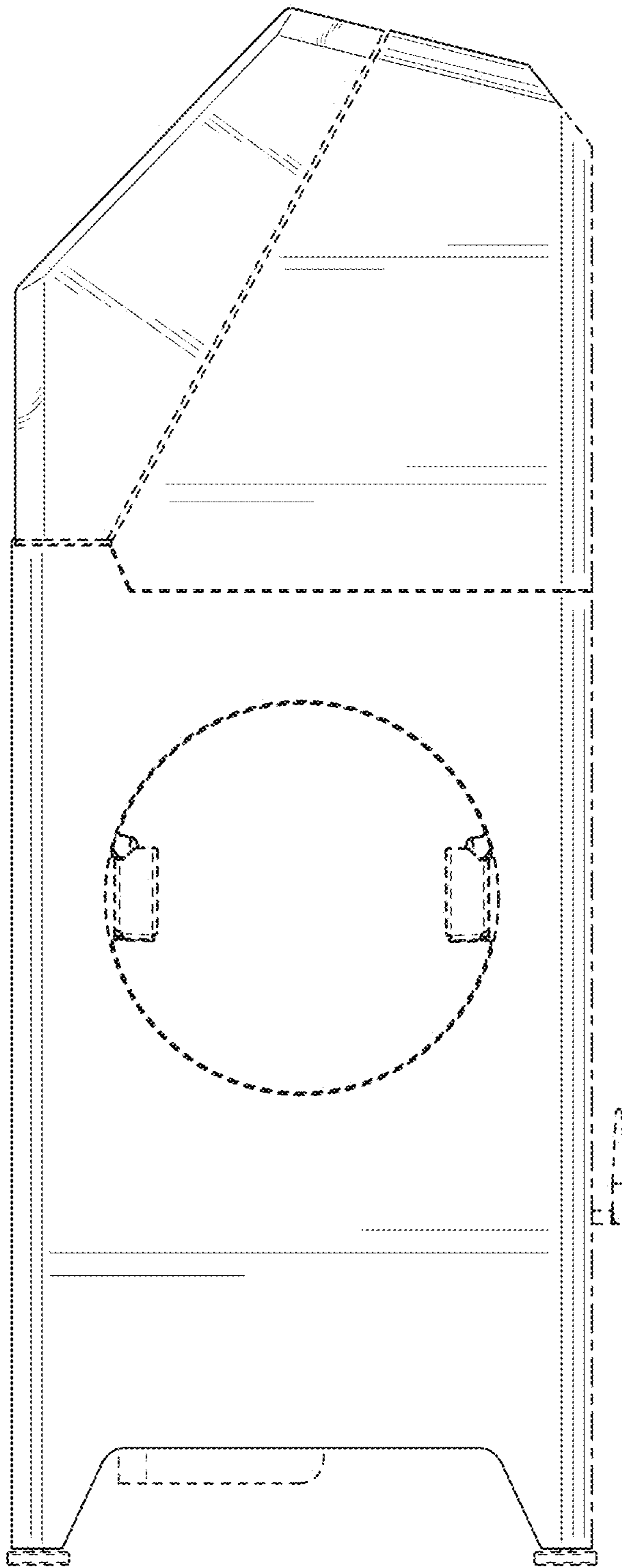


FIG. 6



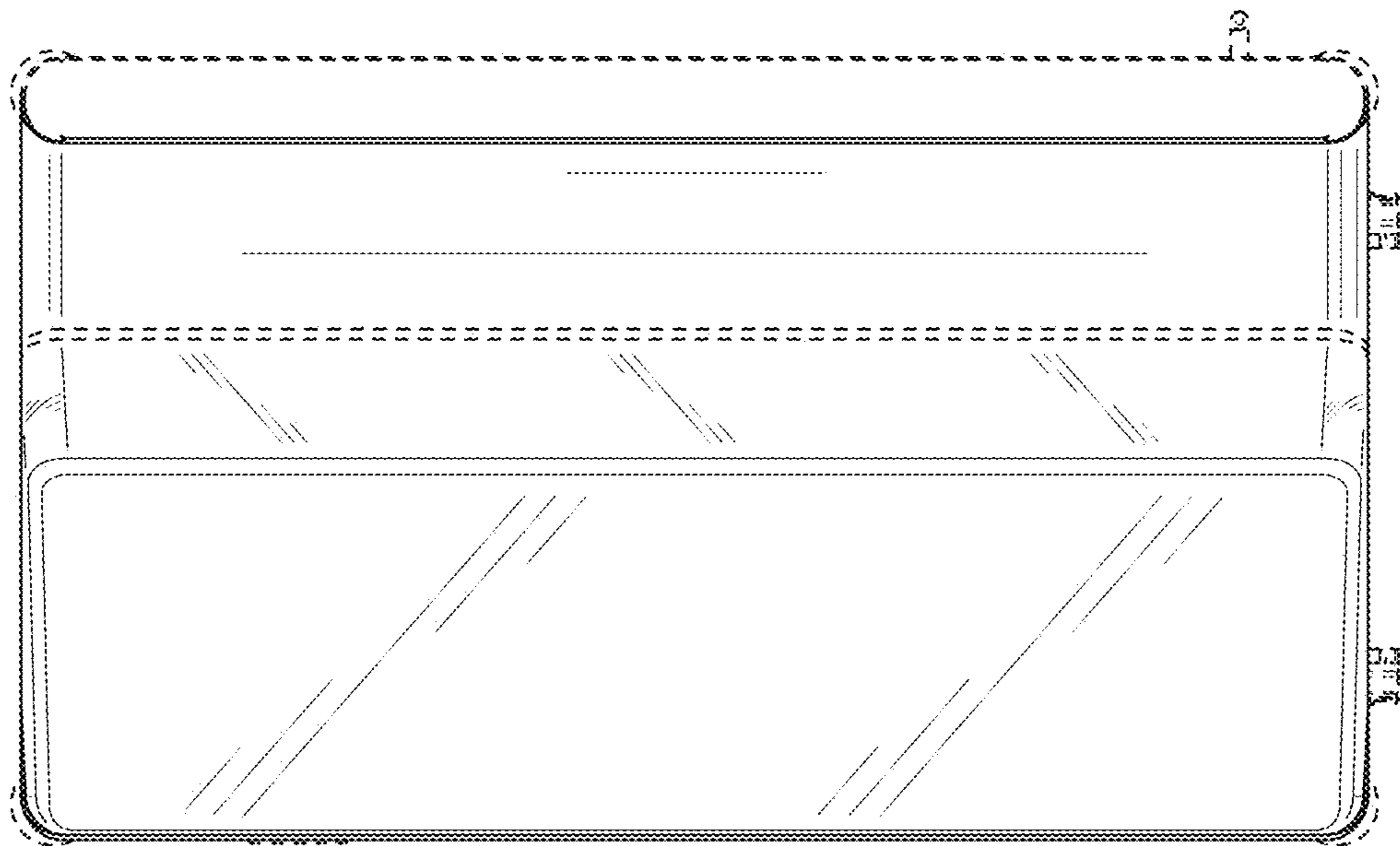


FIG. 7

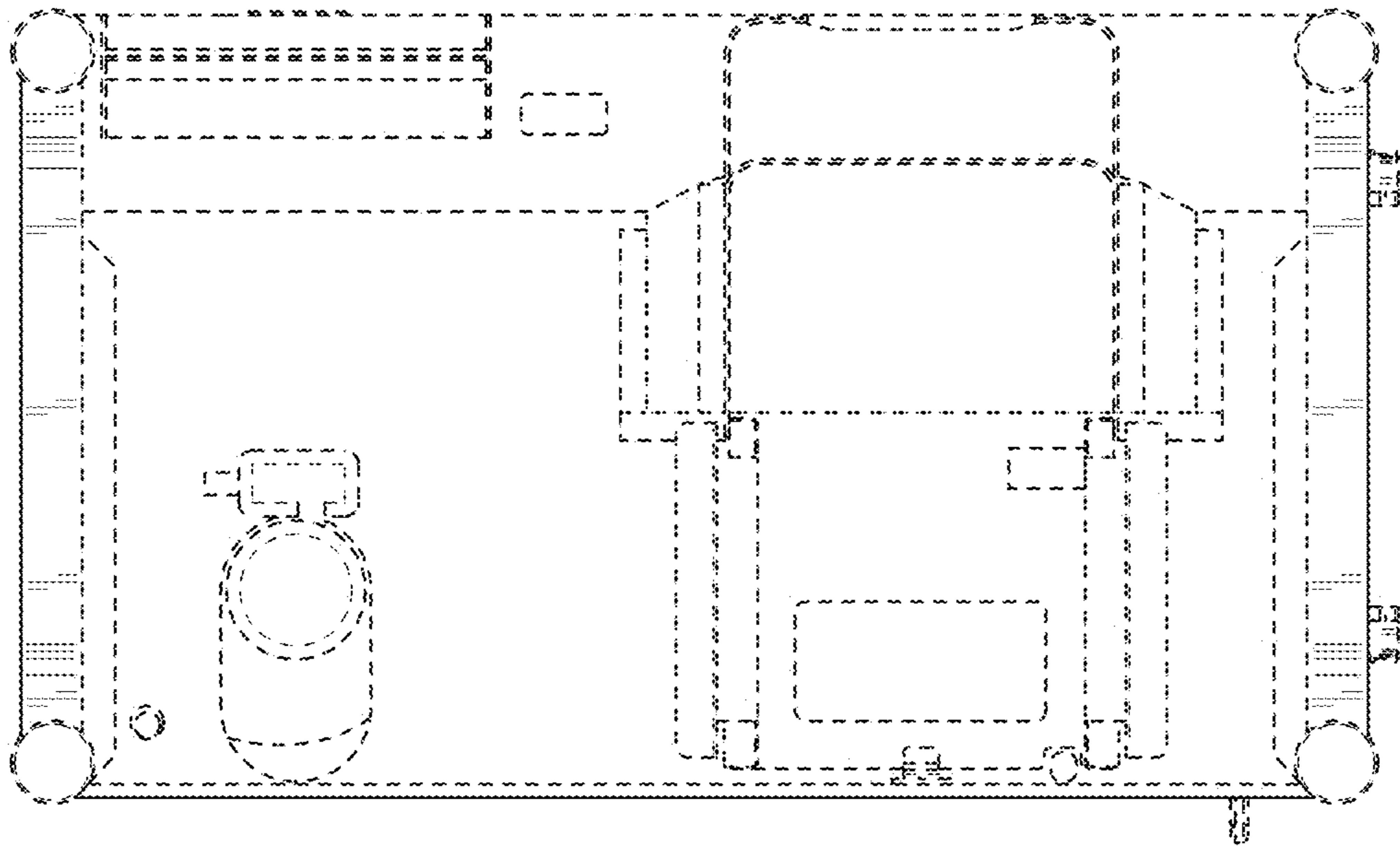


FIG. 8