



US00D941891S

(12) **United States Design Patent** (10) **Patent No.:** **US D941,891 S**
Di Vita et al. (45) **Date of Patent:** **** Jan. 25, 2022**

- (54) **CASING FOR MACHINES**
- (71) Applicant: **A.CELLI PAPER S.P.A.**, Capannori (IT)
- (72) Inventors: **Denny Di Vita**, Porcari (IT); **Ilenia Baldina**, Stra-Venezia (IT)
- (73) Assignee: **A.CELLI PAPER S.P.A.**, Capannori (IT)
- (**) Term: **15 Years**
- (21) Appl. No.: **29/695,913**
- (22) Filed: **Jun. 24, 2019**
- (51) **LOC (13) Cl.** **15-09**
- (52) **U.S. Cl.**
USPC **D15/122**
- (58) **Field of Classification Search**
USPC D15/20, 21, 83, 122–125, 135, 141, D15/141.1, 145, 147, 199; D34/1.1; D7/339, 374, 386, 667, 668; D25/33; D99/99
CPC ... B24C 9/00; B01F 5/06; B08B 15/02; B07B 1/22; B05C 15/00; D21H 27/002; D21F 11/145; D21F 5/181; D21F 13/00
See application file for complete search history.

D833,592 S * 11/2018 Meredith D23/373
D873,876 S * 1/2020 Bellante D15/145
2020/0165721 A1* 5/2020 Morrison H01J 37/3277

OTHER PUBLICATIONS

A.Celli Group, “Why it is important to have a high quality packaging process?”, (Uploaded on May 5, 2021), Facebook.com, Video at 0:24/1:12, URL:<<https://www.facebook.com/ACelliGroup/videos/860246527858703>> (Year: 2021).*

A.Celli Group, “A.Celli Paper-iT’s Tissue Open House—Reportage”, (Uploaded on Oct. 9, 2018), YouTube.com, Video at 2:01/5:28, URL:<<https://www.youtube.com/watch?v=1-g-uocGns4>> (Year: 2018).*

* cited by examiner

Primary Examiner — Sheryl Lane
Assistant Examiner — Mark T. Philipps
(74) *Attorney, Agent, or Firm* — McGlew and Tuttle, P.C.

(57) **CLAIM**

The ornamental design for a casing for machines, as shown and described.

DESCRIPTION

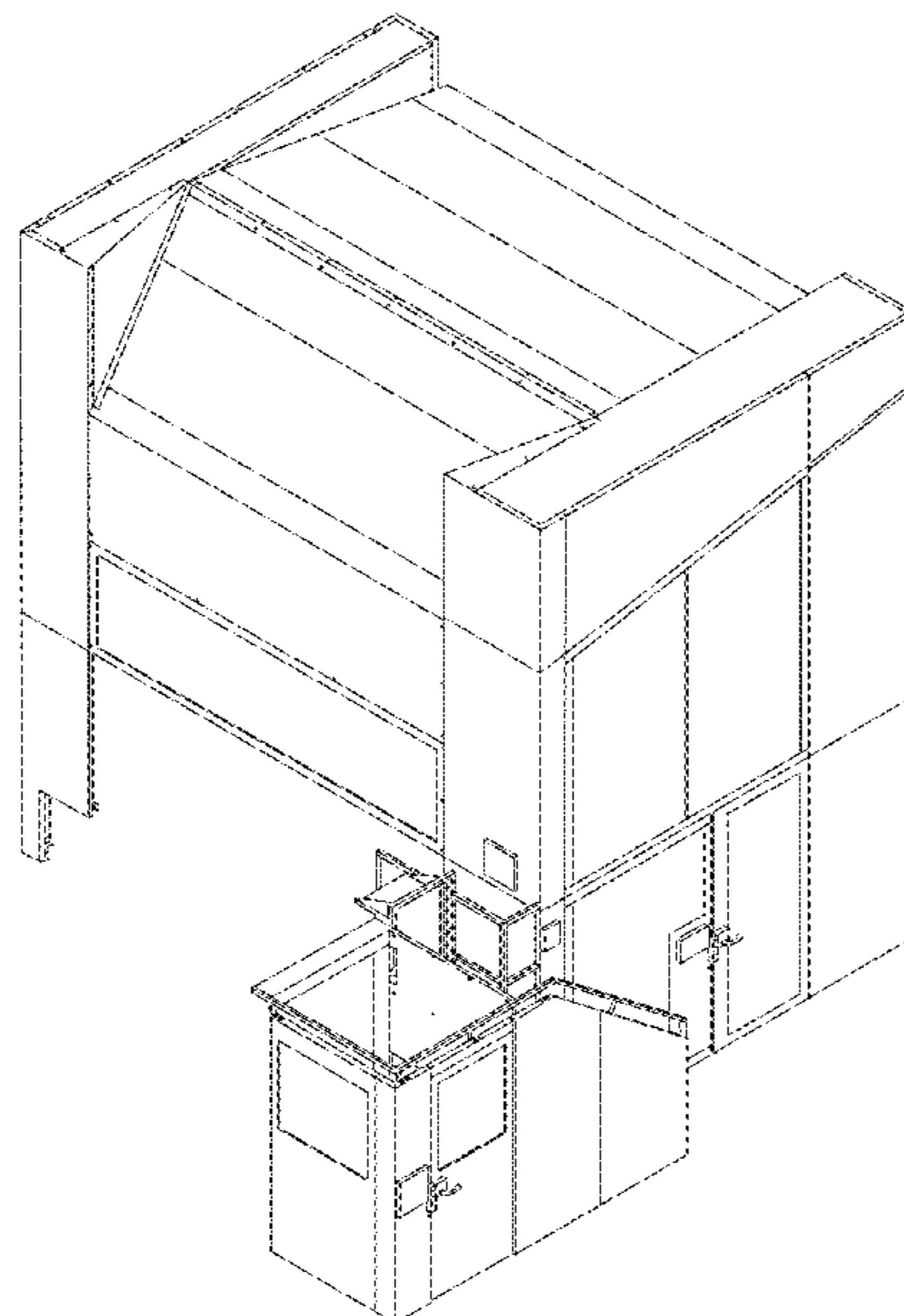
FIG. 1 is a left front perspective view of the casing for machines design;
FIG. 2 is a right rear perspective view of the design of FIG. 1;
FIG. 3 is a left side view of the design of FIG. 1;
FIG. 4 is a front end view of the design of FIG. 1;
FIG. 5 is a rear end view of the design of FIG. 1;
FIG. 6 is a right side view of the design of FIG. 1; and,
FIG. 7 is a top view of the design of FIG. 1.
The broken lines depict portions of the casing for machines and form no part of the claimed design.

1 Claim, 7 Drawing Sheets

(56) **References Cited**

U.S. PATENT DOCUMENTS

D242,872 S	*	12/1976	Wheeler	D15/199
D250,196 S	*	11/1978	Caccioli	D15/124
D341,843 S	*	11/1993	Miller, Jr.	D15/124
D609,724 S	*	2/2010	Haraldsson	D15/122
D655,323 S	*	3/2012	Brockhage	D15/145
D707,737 S	*	6/2014	Craaford	D15/147
D745,069 S	*	12/2015	Kemperle	D15/122
D749,156 S	*	2/2016	Sugiura	D15/124
D778,329 S	*	2/2017	Grobe	D15/122



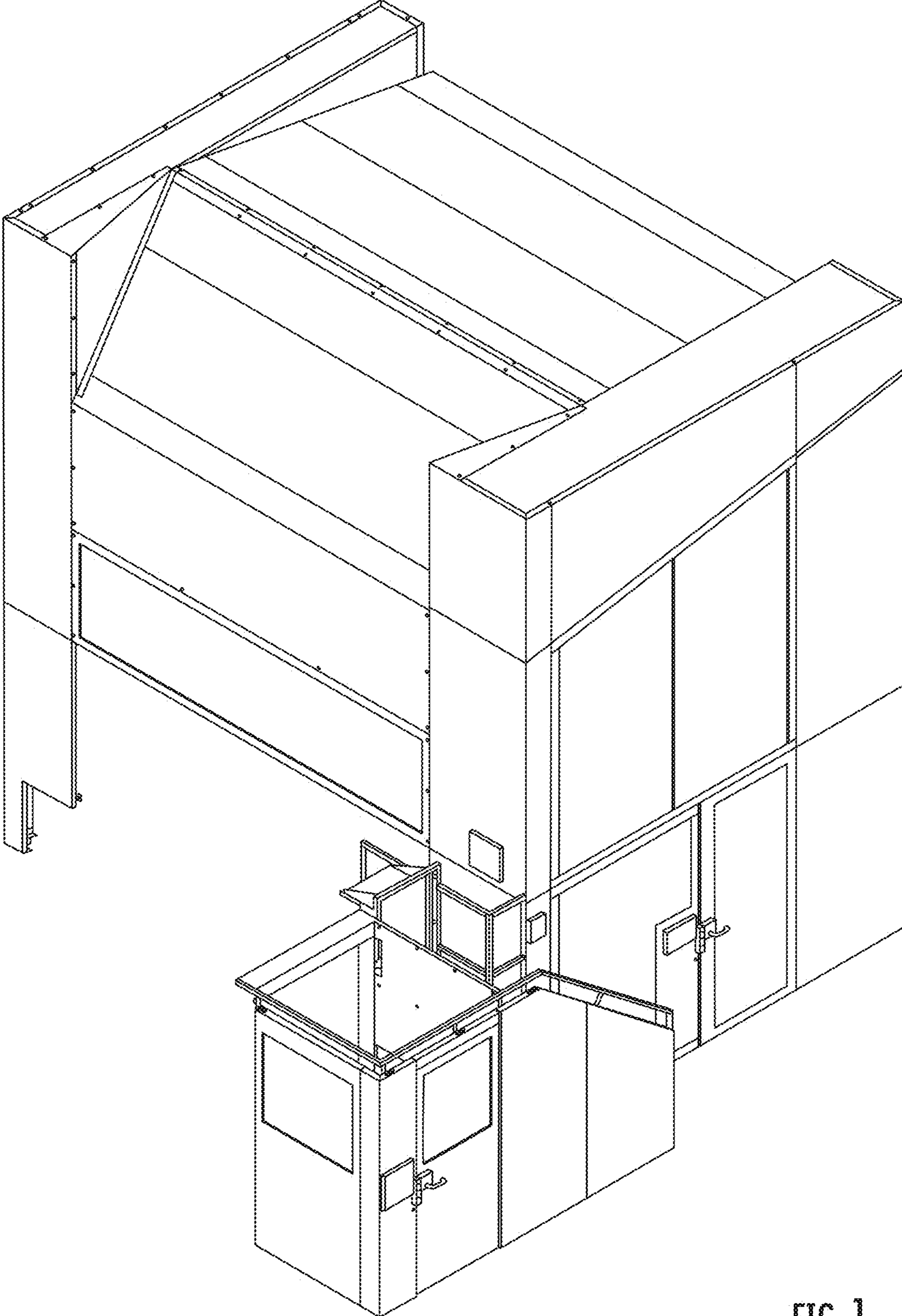


FIG. 1

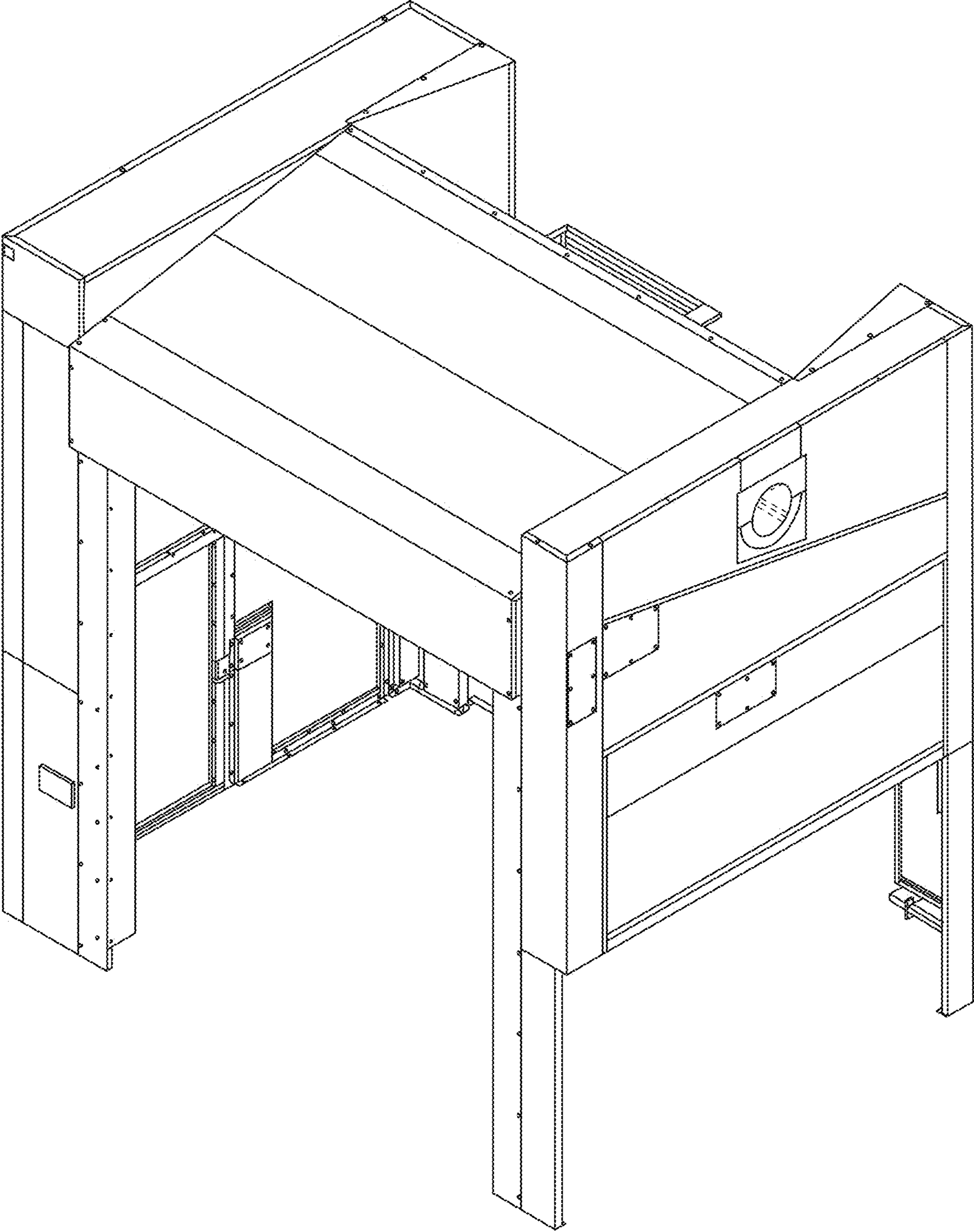


FIG. 2

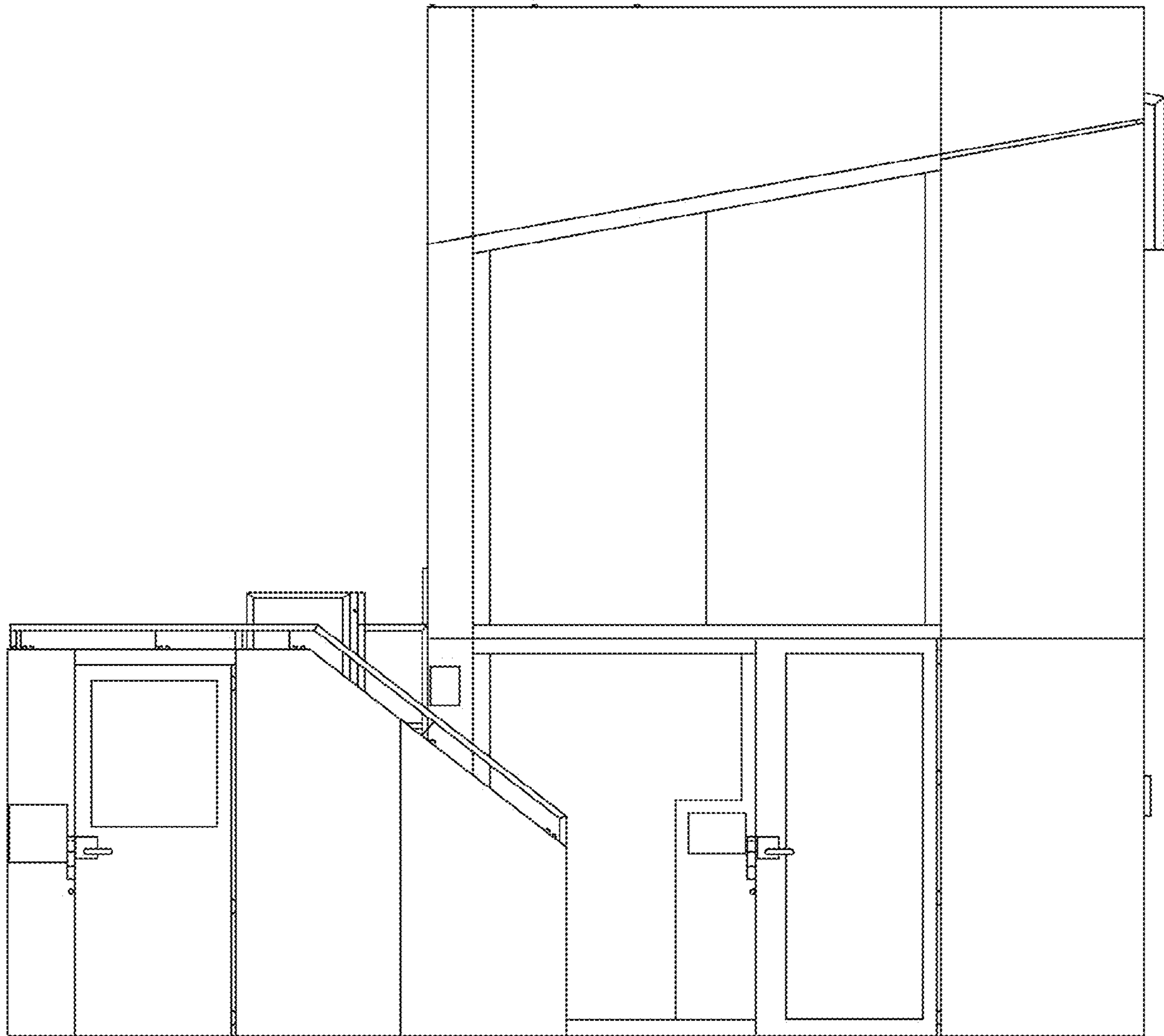


FIG. 3

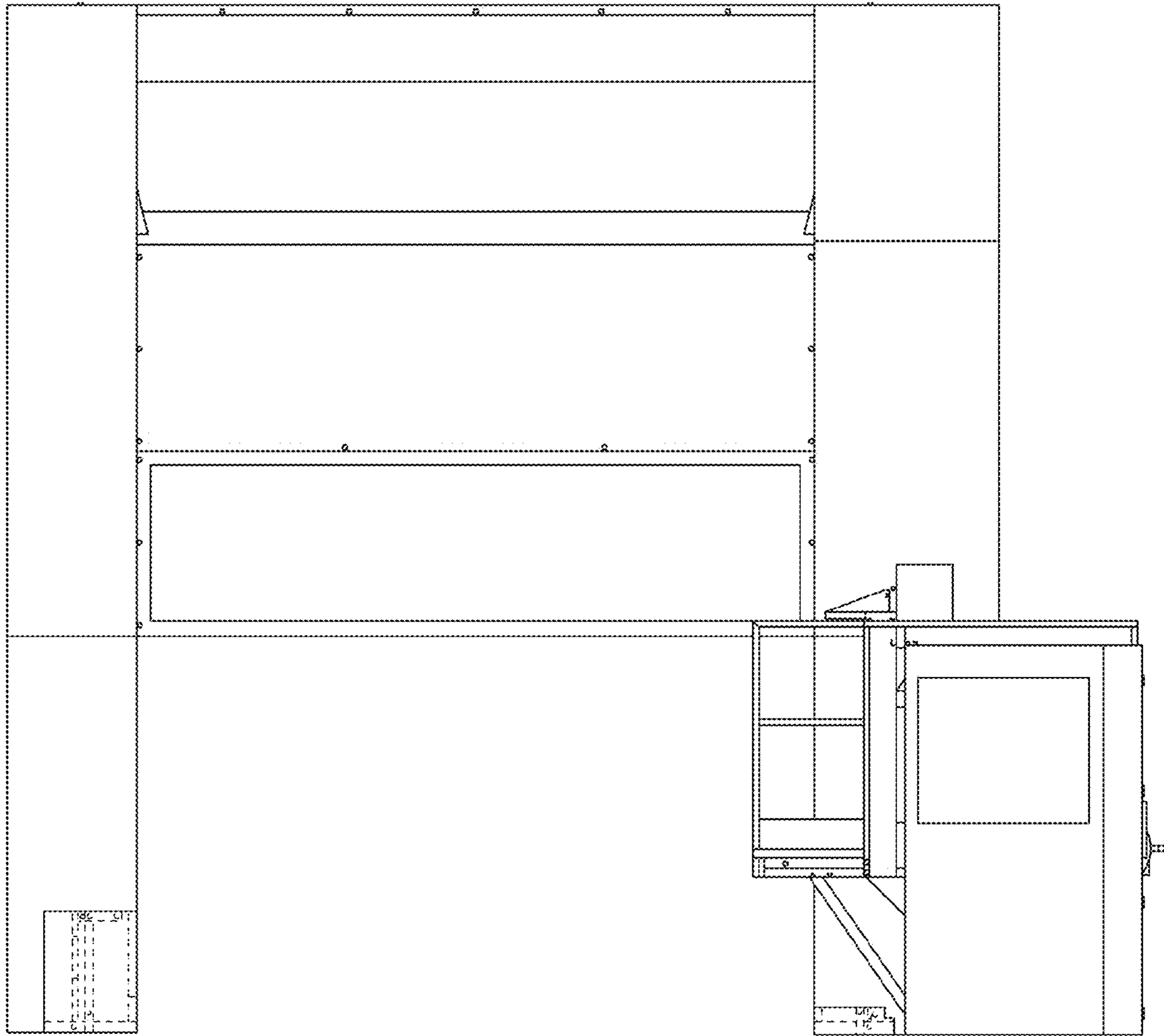


FIG. 4

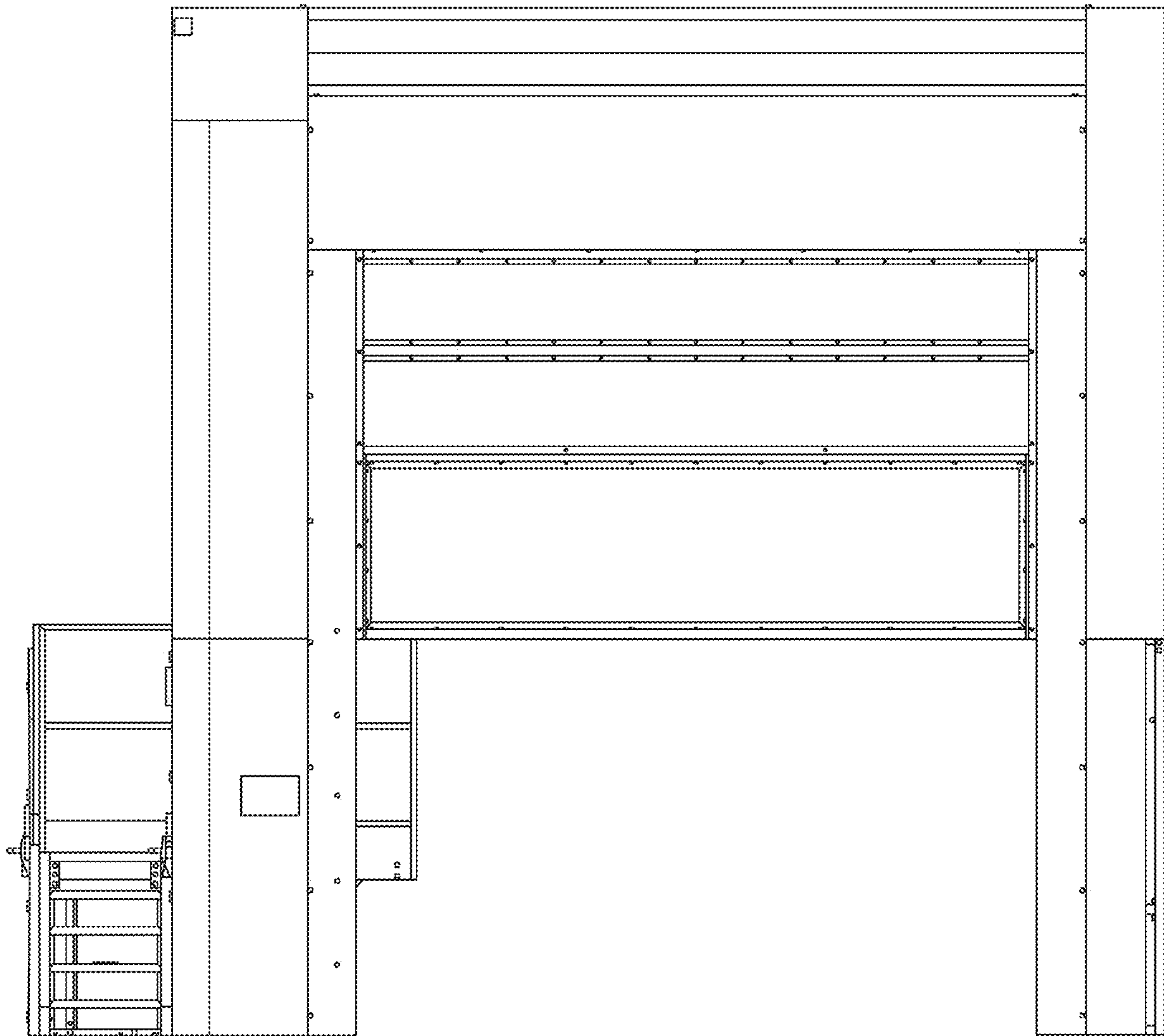


FIG. 5

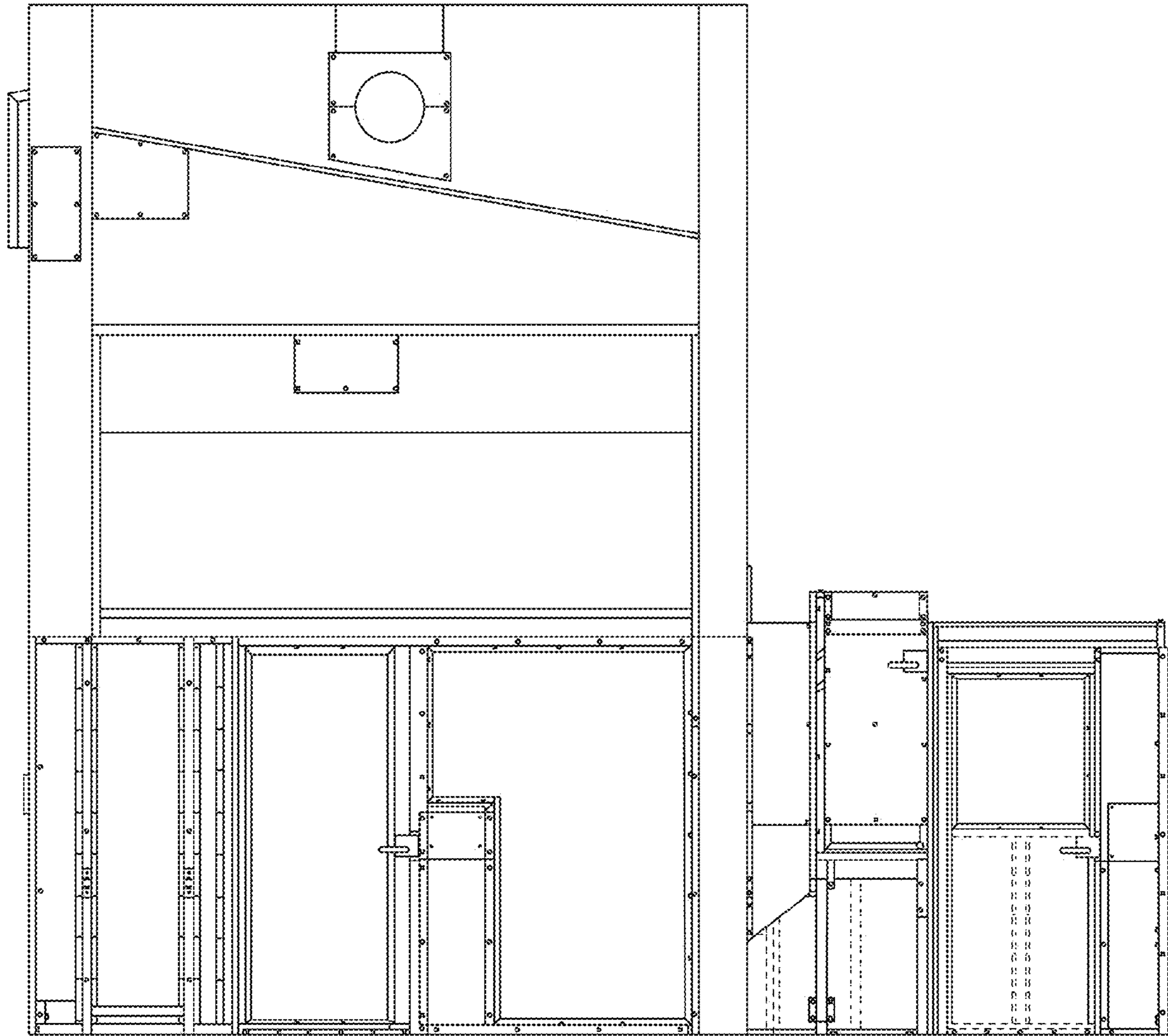


FIG. 6

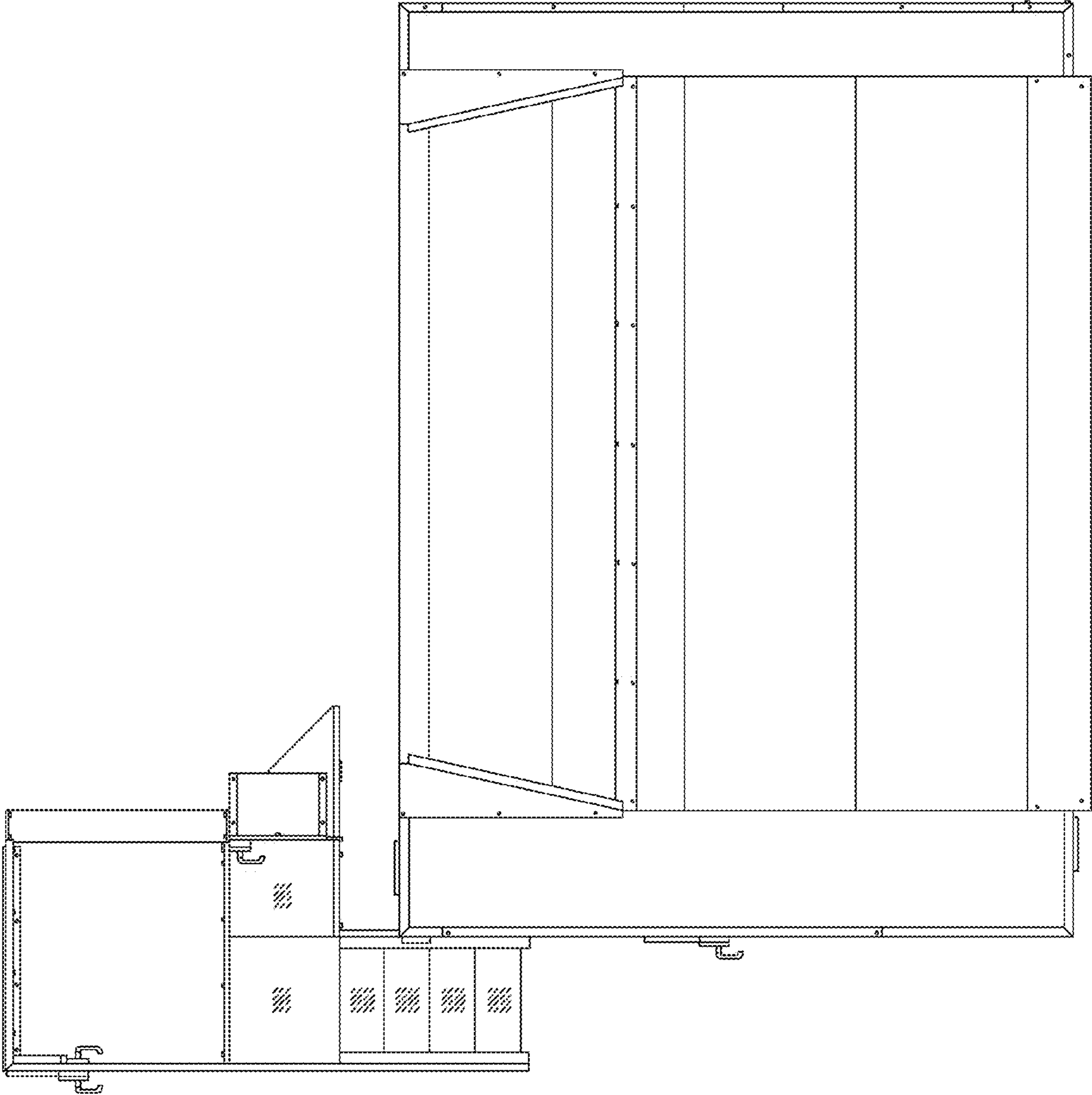


FIG. 7