



US00D941890S

(12) **United States Design Patent**
Song

(10) **Patent No.:** **US D941,890 S**
(45) **Date of Patent:** **** Jan. 25, 2022**

(54) **ICE TRAY**

(71) Applicant: **GUANGDONG HAIXING PLASTIC & RUBBER CO., LTD.**, Jieyang (CN)

(72) Inventor: **Xubin Song**, Jieyang (CN)

(73) Assignee: **GUANGDONG HAIXING PLASTIC & RUBBER CO., LTD.**, Jieyang (CN)

(**) Term: **15 Years**

(21) Appl. No.: **29/779,966**

(22) Filed: **Apr. 21, 2021**

(30) **Foreign Application Priority Data**

Oct. 26, 2020 (CN) 202030638259.5

(51) **LOC (13) Cl.** **15-07**

(52) **U.S. Cl.**
USPC **D15/90**

(58) **Field of Classification Search**
USPC D7/368, 387, 619.1, 669, 672, 675, 676;
D15/79, 80, 90; D9/757, 759; D1/100
CPC F25C 1/08; F25C 1/24; F25C 1/25; F25C
1/243; F25C 1/246
See application file for complete search history.

(56) **References Cited**

U.S. PATENT DOCUMENTS

2,433,210 A * 12/1947 Gits A23G 9/221
249/127
2,433,211 A * 12/1947 Gits A23G 9/221
249/127
2,481,525 A * 9/1949 Mott F25C 1/243
249/127

(Continued)

FOREIGN PATENT DOCUMENTS

CN 306807968 * 9/2021
EM 004675148-0001 * 1/2018
GB 6106396 * 11/2020

OTHER PUBLICATIONS

Zalik, 4 Pack Ice Cube Trays, Ice Tray Durable & Flexible, (dated first available Jul. 5, 2020), Amazon.com, URL:<https://www.amazon.com/dp/B08CDCBPSC> (Year: 2020).*

(Continued)

Primary Examiner — Sheryl Lane
Assistant Examiner — Mark T. Philipps

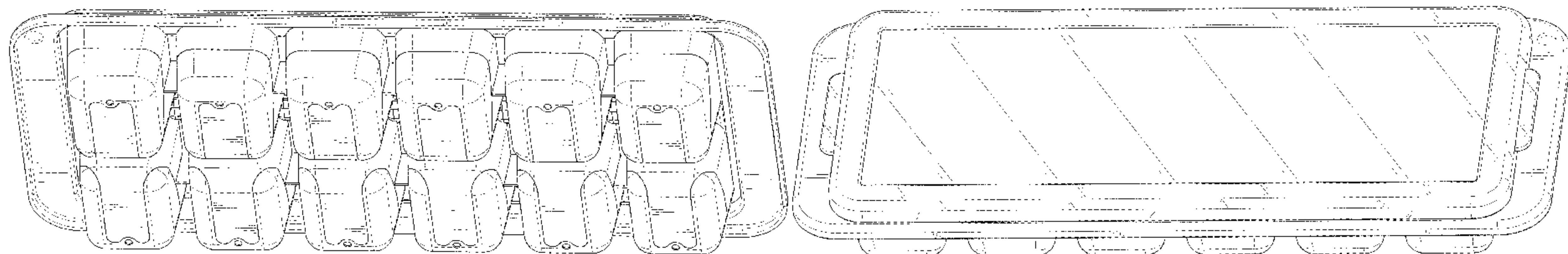
(57) **CLAIM**

The ornamental design for an ice tray, as shown and described.

DESCRIPTION

FIG. 1 is a perspective view of a tray cover of an ice tray, shown separately for ease of illustration;
FIG. 2 is another perspective view thereof;
FIG. 3 is a front elevational view thereof;
FIG. 4 is a rear elevational view thereof;
FIG. 5 is a left side elevational view thereof;
FIG. 6 is a right side elevational view thereof;
FIG. 7 is a top plan view thereof;
FIG. 8 is a bottom plan view thereof;
FIG. 9 is a perspective view of a tray base of the ice tray, shown separately for ease of illustration;
FIG. 10 is another perspective view thereof;
FIG. 11 is a front elevational view thereof;
FIG. 12 is a rear elevational view thereof;
FIG. 13 is a left side elevational view thereof;
FIG. 14 is a right side elevational view thereof;
FIG. 15 is a top plan view thereof;
FIG. 16 is a bottom plan view thereof; and,
FIG. 17 is a perspective view of the ice tray with cover, where the ice tray is in a use position.
The broken lines in the drawings depict portions of the ice tray that form no part of the claimed design.

1 Claim, 17 Drawing Sheets



(56)

References Cited

U.S. PATENT DOCUMENTS

3,844,525 A * 10/1974 Parmett F25C 1/243
249/127
4,023,768 A * 5/1977 Herrera-Casasus F25C 1/24
249/81
5,196,127 A * 3/1993 Solell F25C 1/243
221/91
D342,264 S * 12/1993 Pittman D15/90
D359,966 S * 7/1995 Laib D15/90
6,168,131 B1 * 1/2001 Tabatabaie F25C 1/24
249/119
D597,565 S * 8/2009 Lion D15/90
D697,095 S * 1/2014 Chan D15/90
D764,552 S * 8/2016 Traub D15/90
D787,568 S * 5/2017 Davies D15/90
9,869,503 B1 * 1/2018 Saeks F25C 1/22
D849,805 S * 5/2019 Hauser D15/89
D864,261 S * 10/2019 Hu D15/89
D910,090 S * 2/2021 Chen D15/90

OTHER PUBLICATIONS

Jinchee, 2PCS Premium Silicone Ice Cube Tray With Spill-Resistant Lids, (date first available Jun. 23, 2020), Amazon.com, URL:<<https://www.amazon.com/dp/B08BN6QF84>> (Year: 2020).*

* cited by examiner

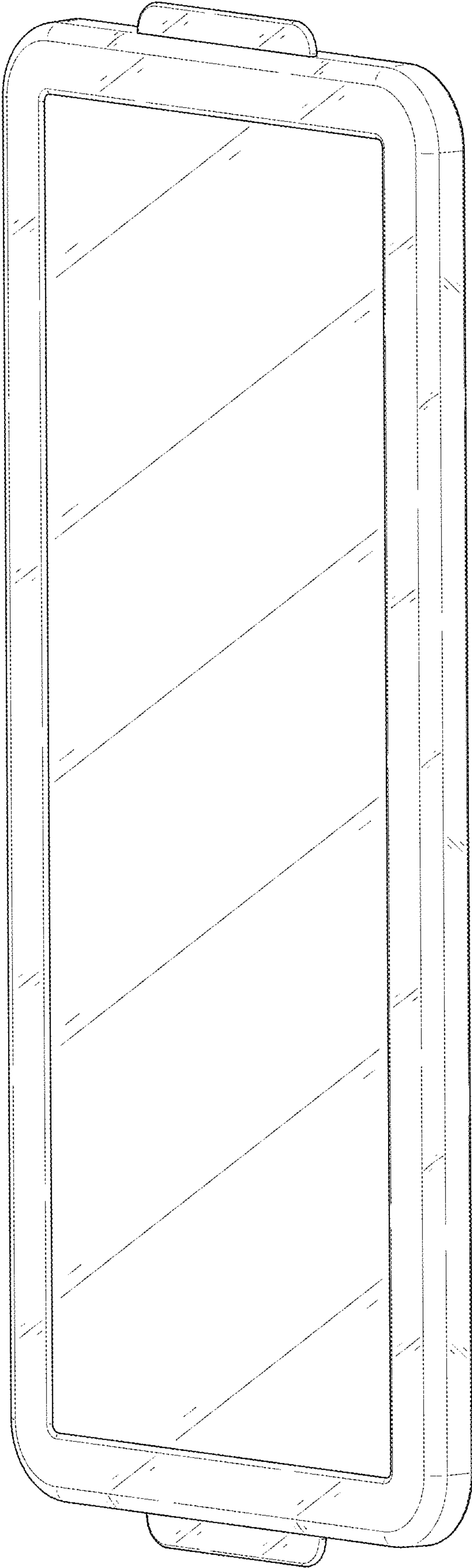


FIG. 1

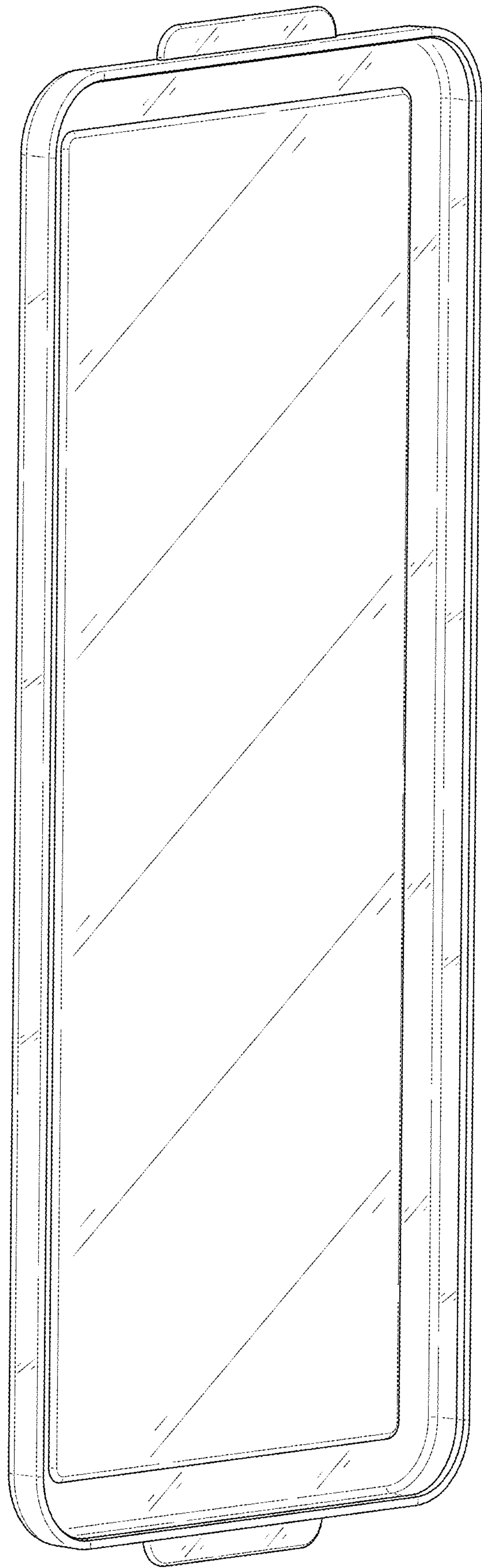


FIG. 2

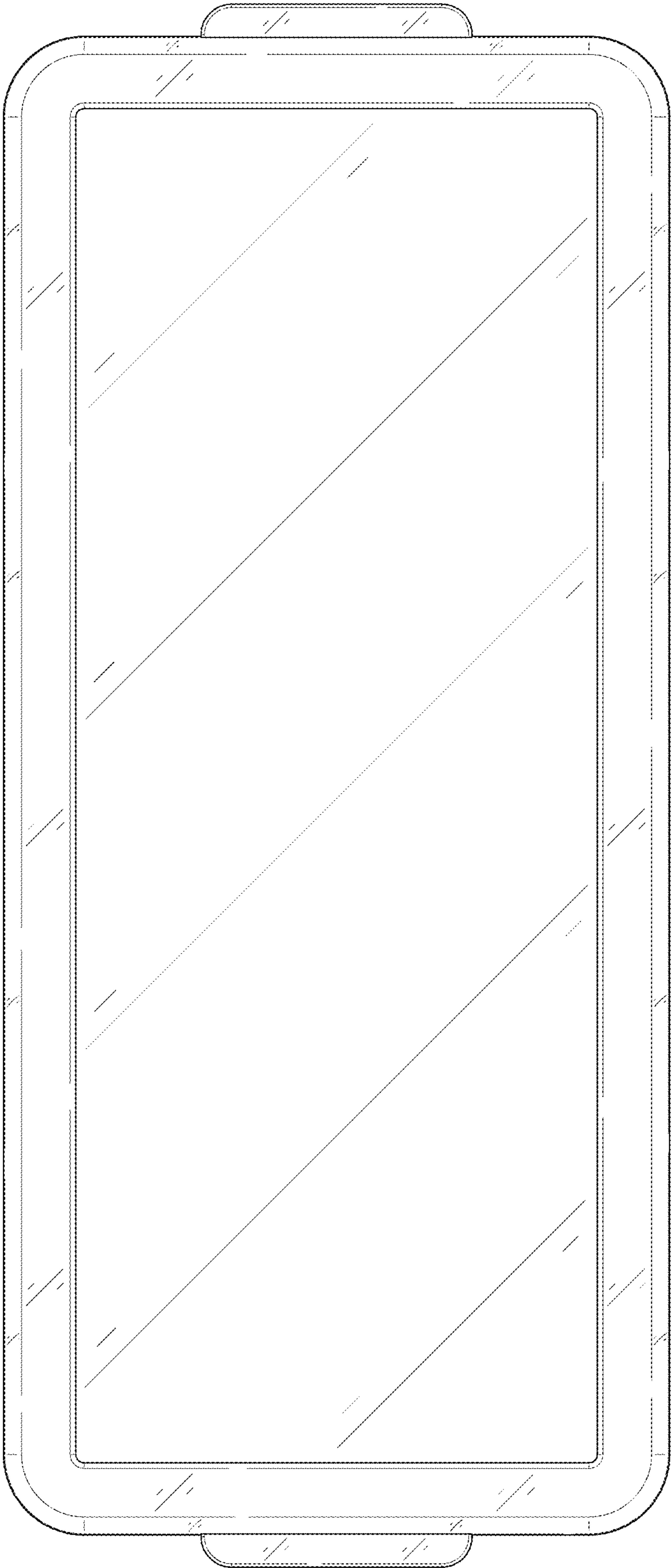


FIG. 3

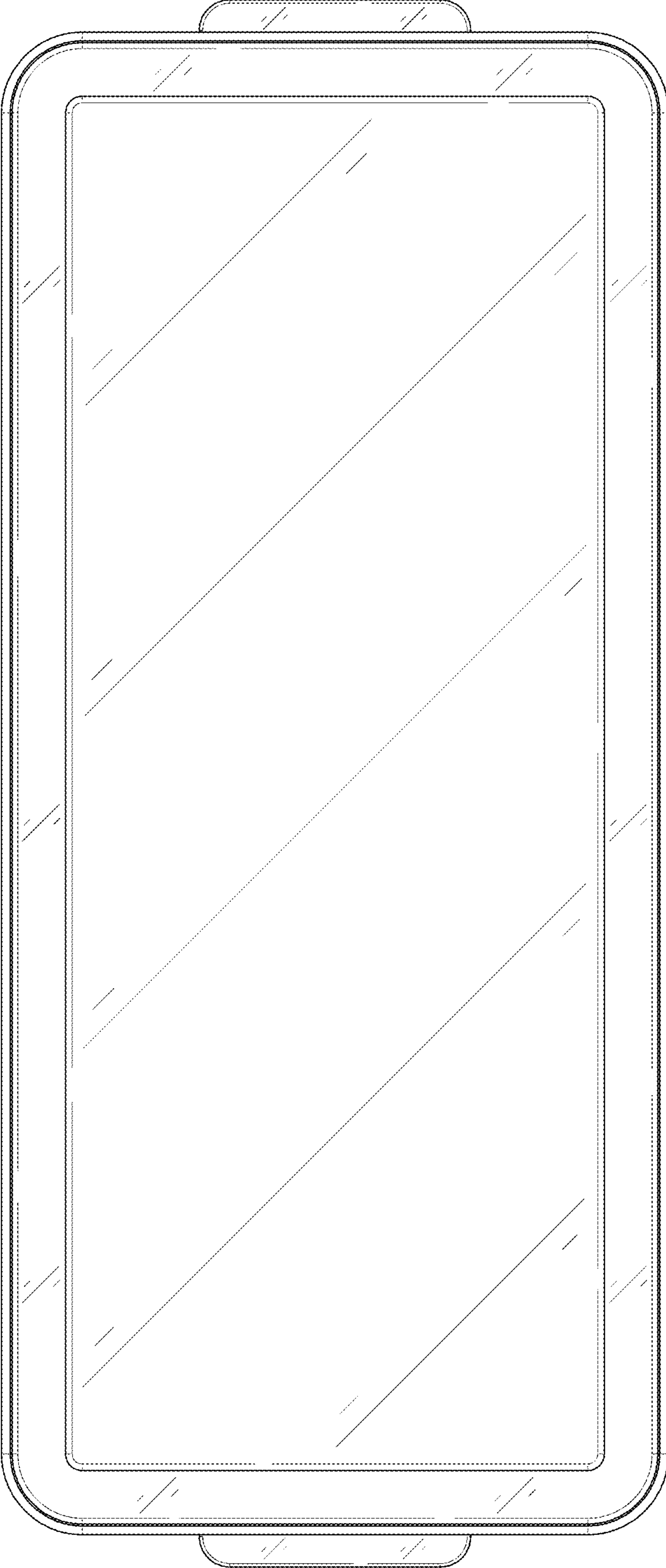


FIG. 4

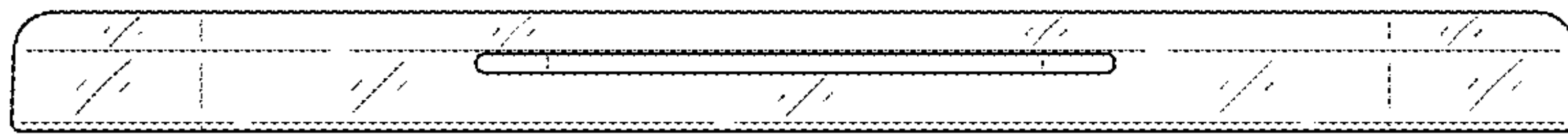


FIG. 5

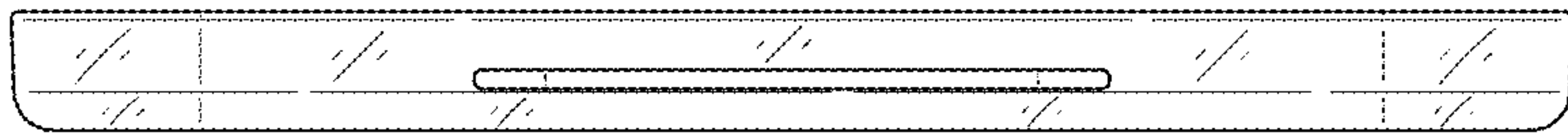


FIG. 6

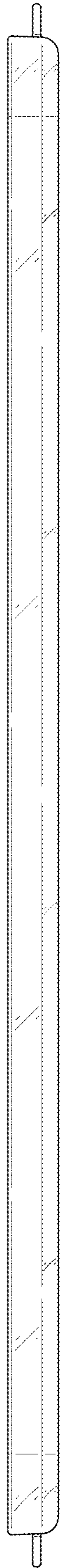


FIG. 7

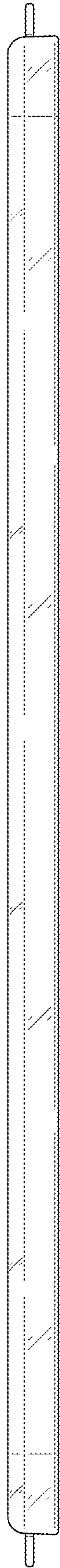


FIG. 8

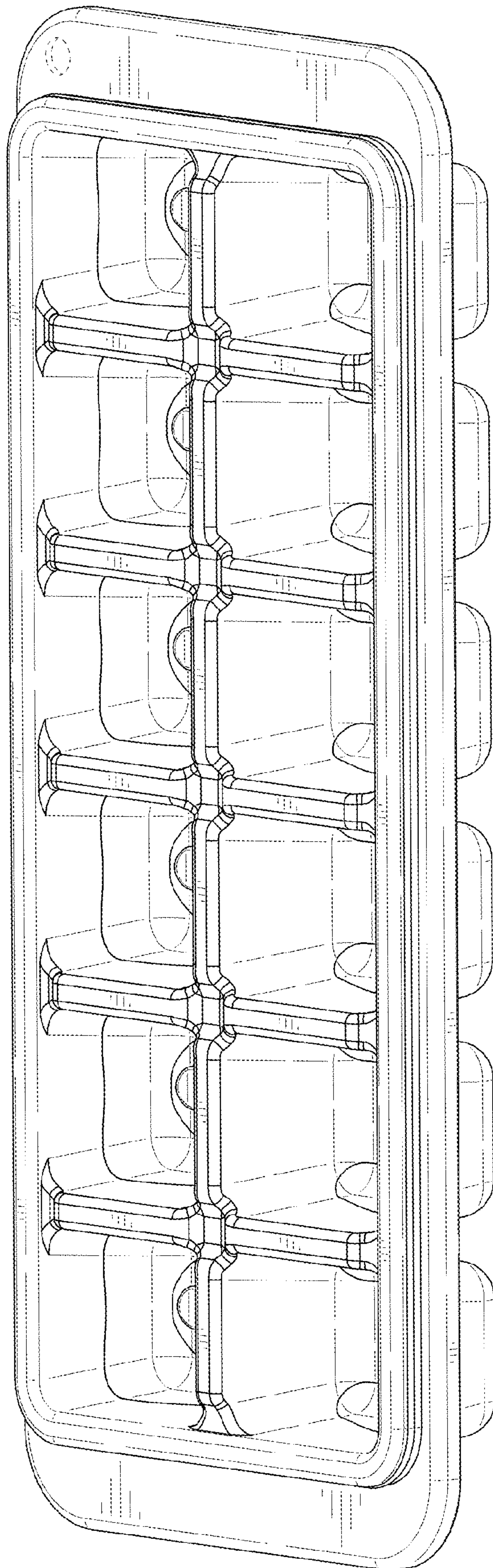


FIG. 9

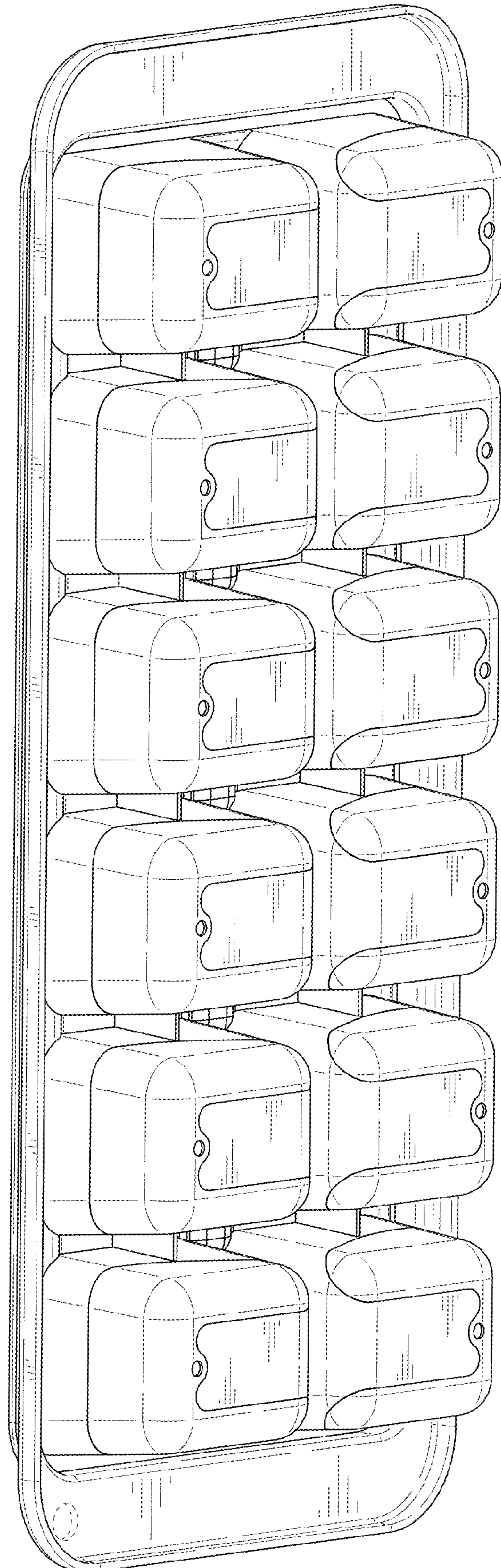


FIG. 10

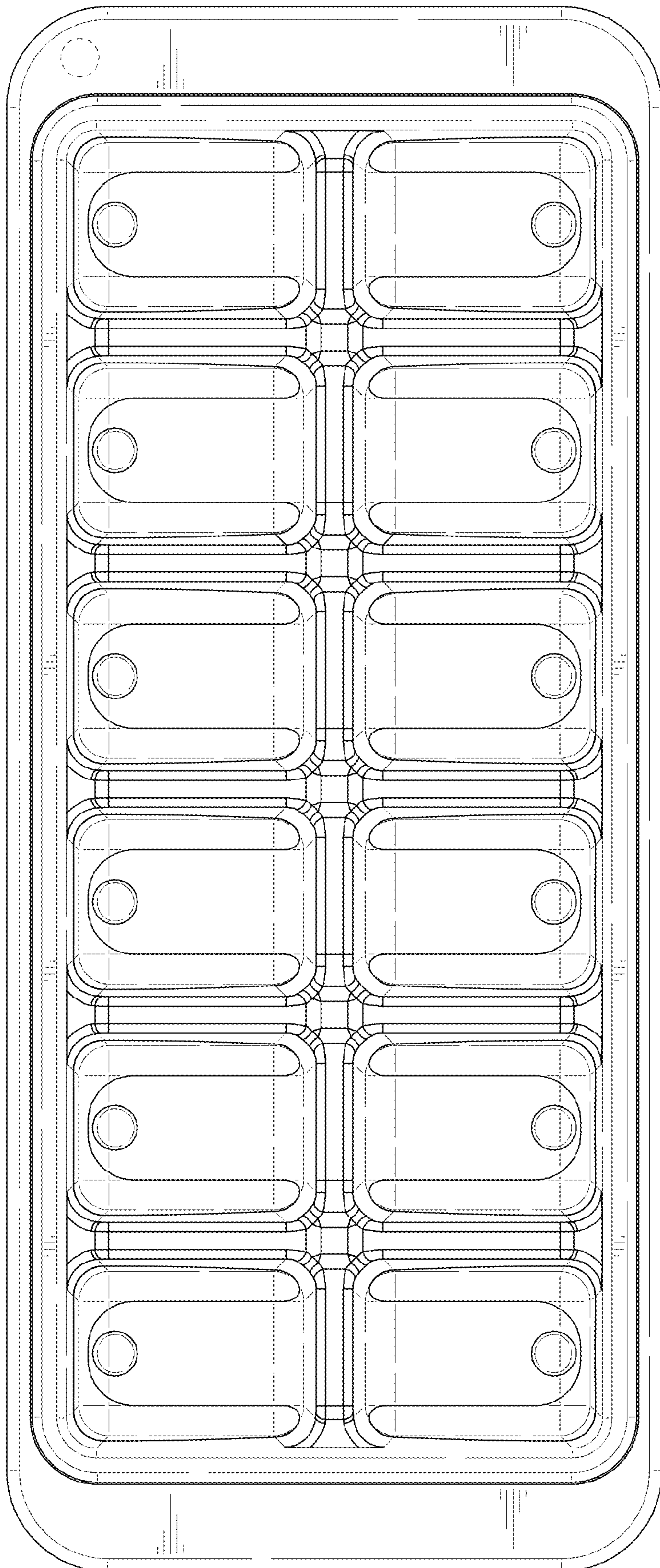


FIG. 11

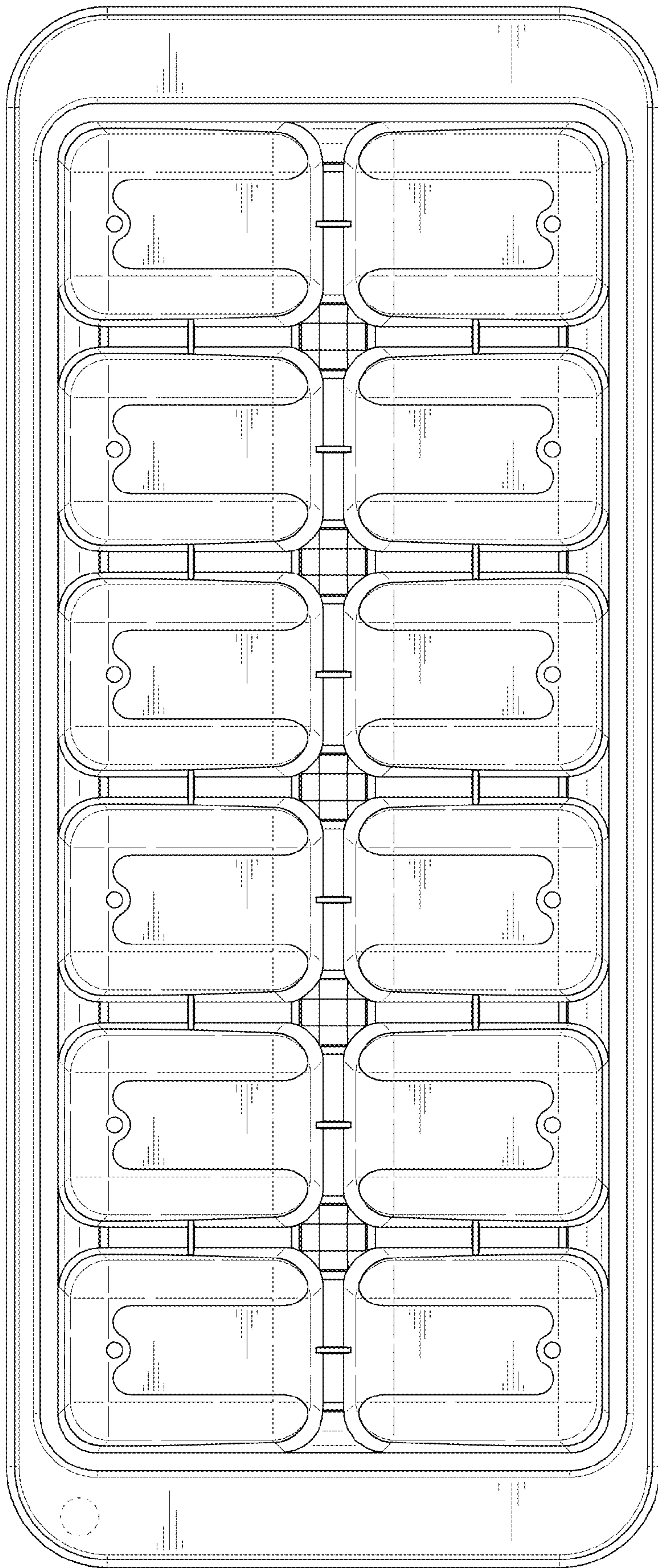


FIG. 12

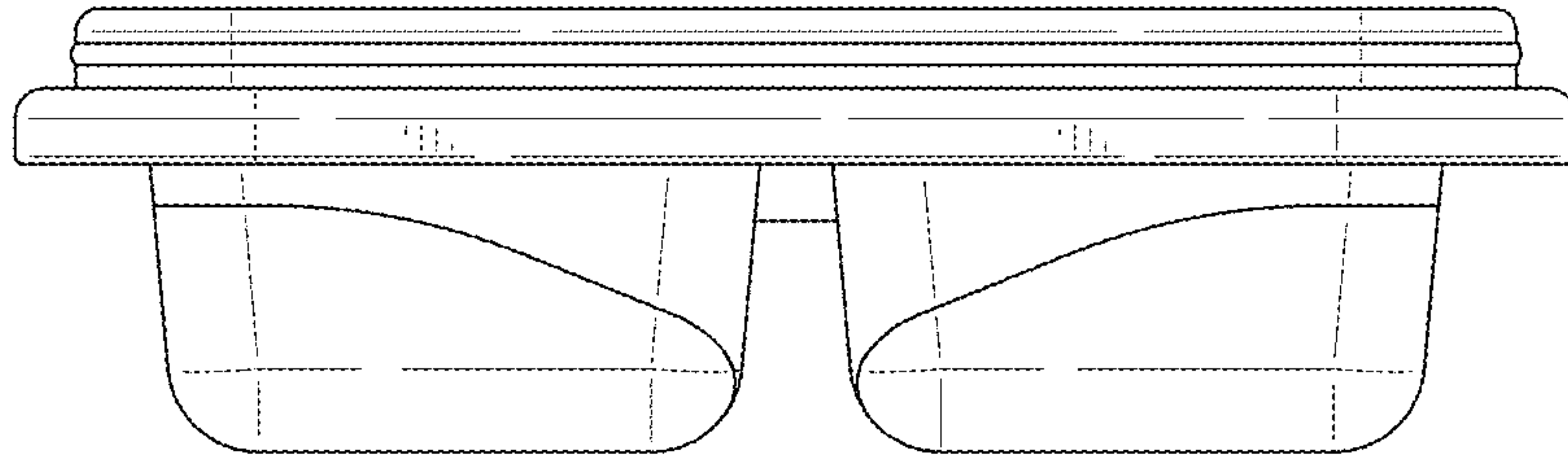


FIG. 13

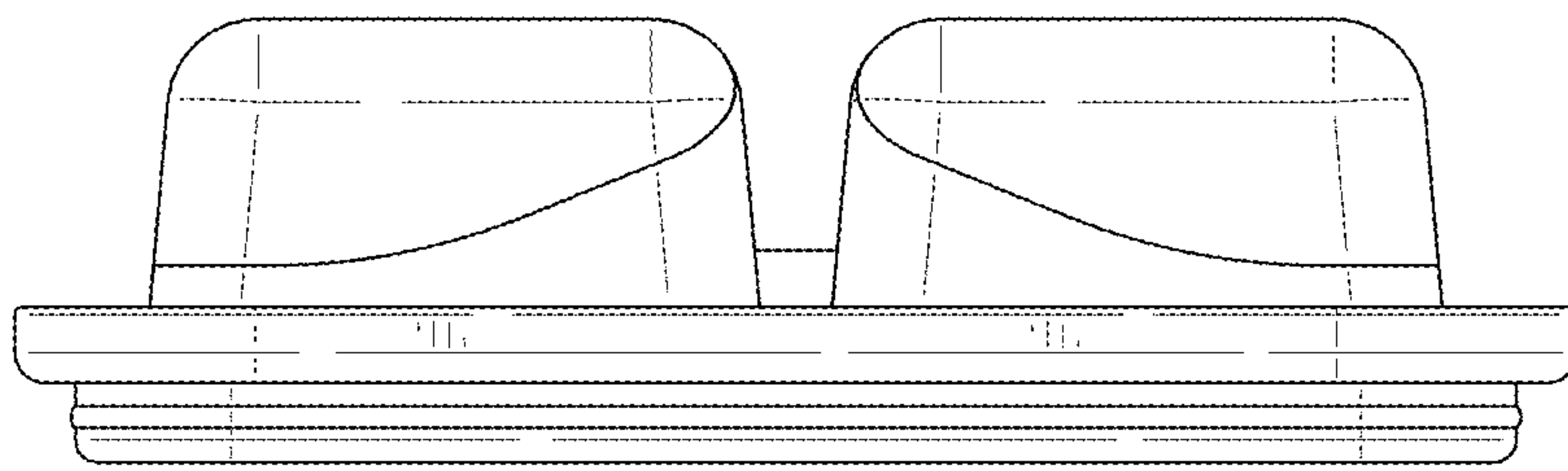


FIG. 14

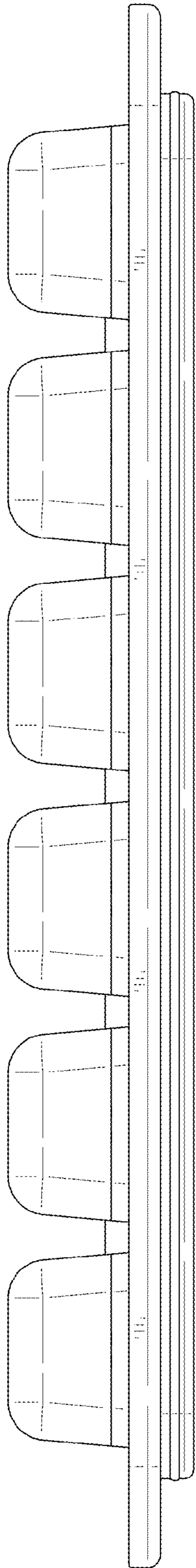


FIG. 15

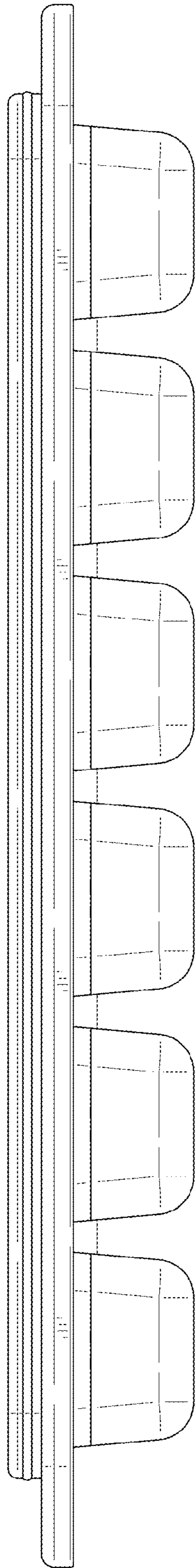


FIG. 16

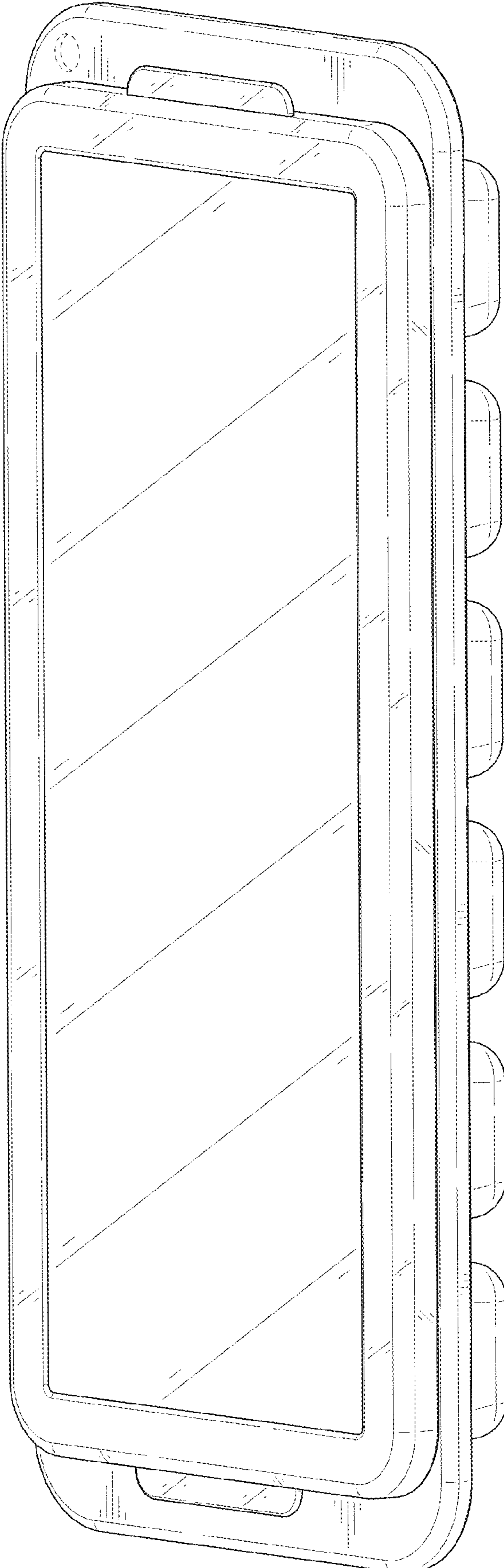


FIG. 17