



US00D941888S

(12) **United States Design Patent**  
**Knatt**

(10) **Patent No.:** **US D941,888 S**  
(45) **Date of Patent:** **\*\* Jan. 25, 2022**

(54) **ICE MAKER**

(71) Applicant: **True Manufacturing Company, Inc.,**  
O'Fallon, MO (US)

(72) Inventor: **Kevin Knatt, O'Fallon, MO (US)**

(73) Assignee: **True Manufacturing Company, Inc.,**  
O'Fallon, MO (US)

(\*\*) Term: **15 Years**

(21) Appl. No.: **29/782,832**

(22) Filed: **May 10, 2021**

(51) **LOC (13) Cl.** ..... **15-07**

(52) **U.S. Cl.**  
USPC ..... **D15/80**

(58) **Field of Classification Search**  
USPC ..... D15/79, 80, 81, 82, 83, 84, 85, 86, 87,  
D15/88, 89, 90, 91; D6/657, 659;  
D3/304, 307  
CPC ..... F25C 2400/10; F25D 2400/10; F25D  
2400/12; F25D 2400/14; F25D 2400/18;  
G05B 2219/2654; G09F 23/0058; Y10S  
292/71  
See application file for complete search history.

(56) **References Cited**

**U.S. PATENT DOCUMENTS**

D147,252 S *	8/1947	Rothert	.....	D15/88
D161,975 S *	2/1951	Thomaras	.....	D15/85
D167,825 S *	9/1952	Dailey	.....	D15/88
2,642,728 A *	6/1953	Thomaras	.....	F25D 11/02 62/331
D205,544 S *	8/1966	Smith	.....	D20/5
D314,579 S *	2/1991	Maxwell	.....	D15/80
D354,064 S *	1/1995	Sims	.....	D15/81
D520,533 S *	5/2006	Reese	.....	D15/89
D521,536 S *	5/2006	Reese	.....	D15/89
D539,312 S *	3/2007	Kim	.....	D15/81
D551,685 S *	9/2007	Chen	.....	D15/88

D567,828 S *	4/2008	Moran	.....	D15/79
D568,909 S *	5/2008	Santiago	.....	D15/81
D594,483 S *	6/2009	Cefalu	.....	D15/81
D618,712 S *	6/2010	Tsuji	.....	D15/79
D618,713 S *	6/2010	Tsuji	.....	D15/79
D649,565 S *	11/2011	LaFond	.....	D15/80
D652,253 S *	1/2012	Wildenbos	.....	D7/405
D653,682 S *	2/2012	Herning	.....	D15/81
D668,272 S *	10/2012	Ebelt	.....	D15/81
D669,920 S *	10/2012	LaFond	.....	D15/81
D673,185 S *	12/2012	LaFond	.....	D15/80
D734,371 S *	7/2015	Lei	.....	D15/80
D762,744 S *	8/2016	Tissi	.....	D15/81
D771,157 S *	11/2016	Yamada	.....	D15/81
D774,568 S *	12/2016	Bonney	.....	D15/81

(Continued)

**OTHER PUBLICATIONS**

“Compact Refrigerators” [online]. nfm.com. [Retrieved on Jun. 16, 2021]. Retrieved from the Internet: <<https://www.nfm.com/refrigerators?type=Compact>>.\*

*Primary Examiner* — Mojtaba Tehrani  
(74) *Attorney, Agent, or Firm* — Stinson LLP

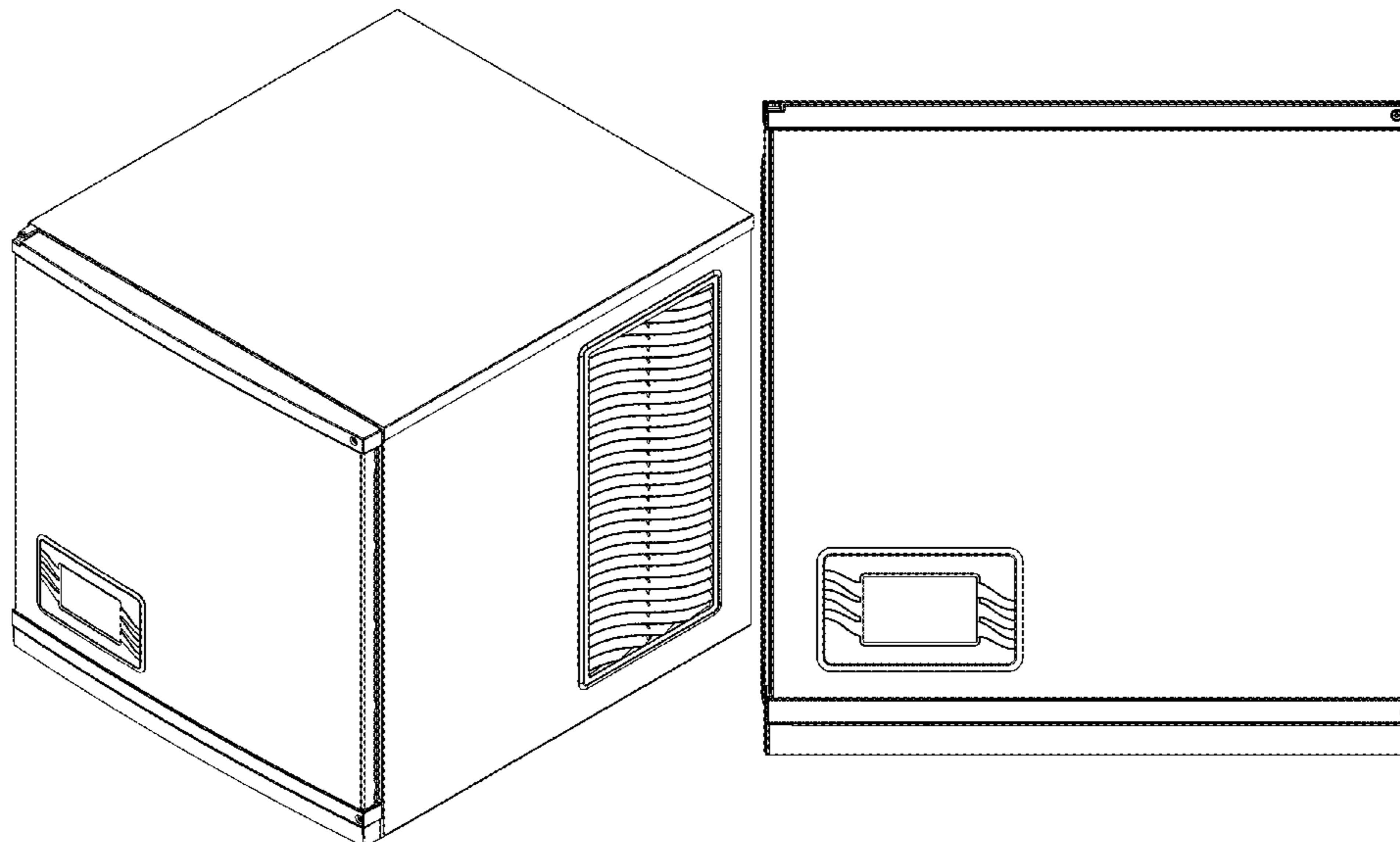
(57) **CLAIM**

The ornamental design for an ice maker, as shown and described.

**DESCRIPTION**

FIG. 1 is a front perspective view of an ice maker, showing my new design;  
FIG. 2 is a front view thereof;  
FIG. 3 is a right side view thereof;  
FIG. 4 is a top view thereof; and,  
FIG. 5 is a left side view thereof.  
The rear and bottom of the ice maker ice maker form no part of the claimed design.  
Elements shown in broken line form no part of the claimed design.

**1 Claim, 5 Drawing Sheets**



(56)

**References Cited**

U.S. PATENT DOCUMENTS

D800,799 S \* 10/2017 Feng ..... D15/81  
D807,929 S \* 1/2018 Feng ..... D15/81  
D810,151 S \* 2/2018 Wang ..... D15/88  
D832,311 S \* 10/2018 Twigg, III ..... D15/79  
D841,699 S \* 2/2019 Foyen ..... D15/79  
D864,259 S \* 10/2019 Staton ..... D15/89  
D875,793 S \* 2/2020 Bradley ..... D15/91  
2011/0232323 A1 \* 9/2011 Morris ..... F25D 11/00  
62/457.9  
2018/0127150 A1 \* 5/2018 Adanur ..... A47B 87/0292  
2020/0029782 A1 \* 1/2020 Bussell ..... G09F 3/14  
2020/0166261 A1 \* 5/2020 Hosamani ..... F25C 1/24  
2021/0222939 A1 \* 7/2021 Knatt ..... F25D 29/005  
2021/0222940 A1 \* 7/2021 Knatt ..... F25C 5/24

\* cited by examiner

FIG. 1

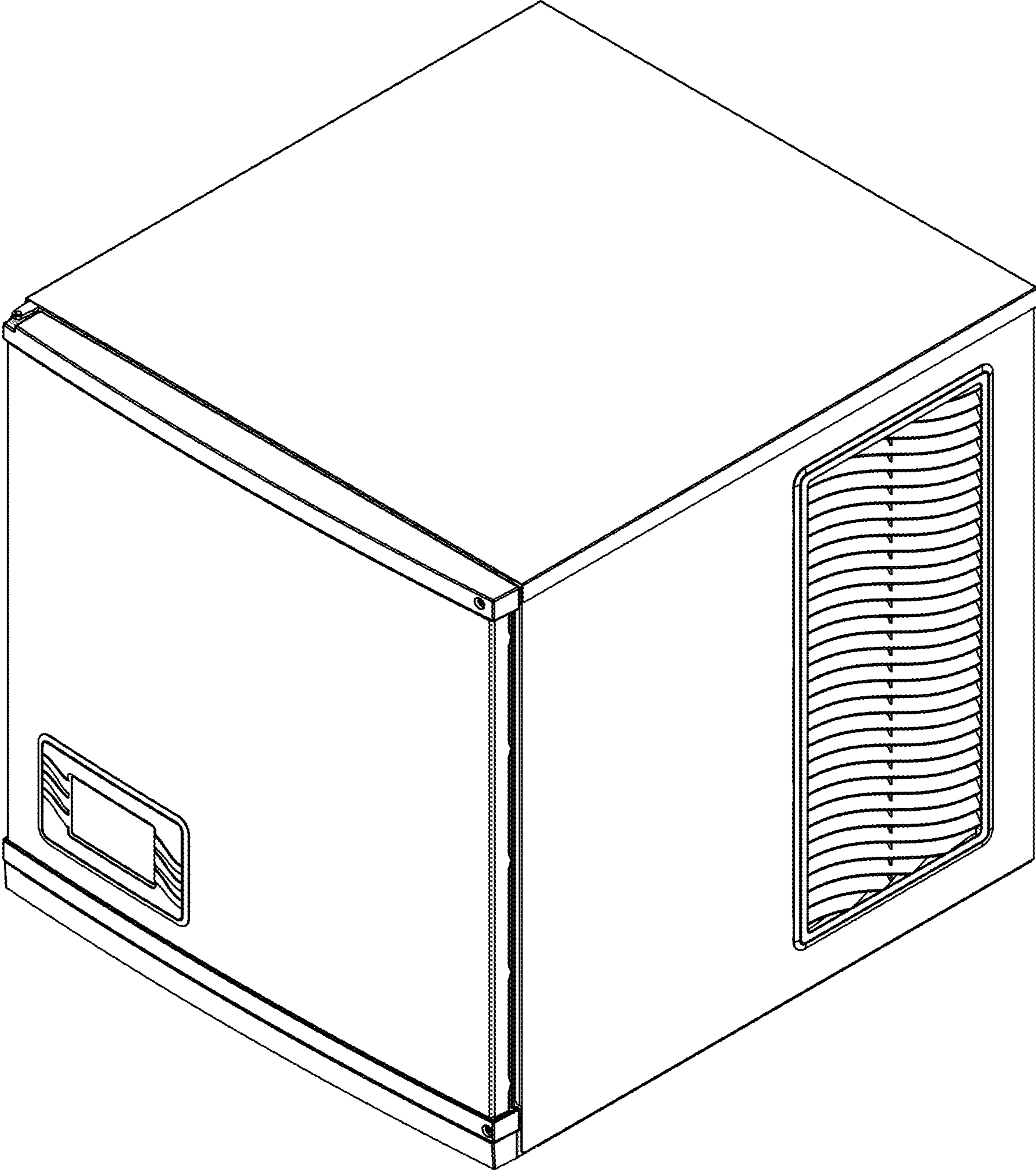


FIG. 2

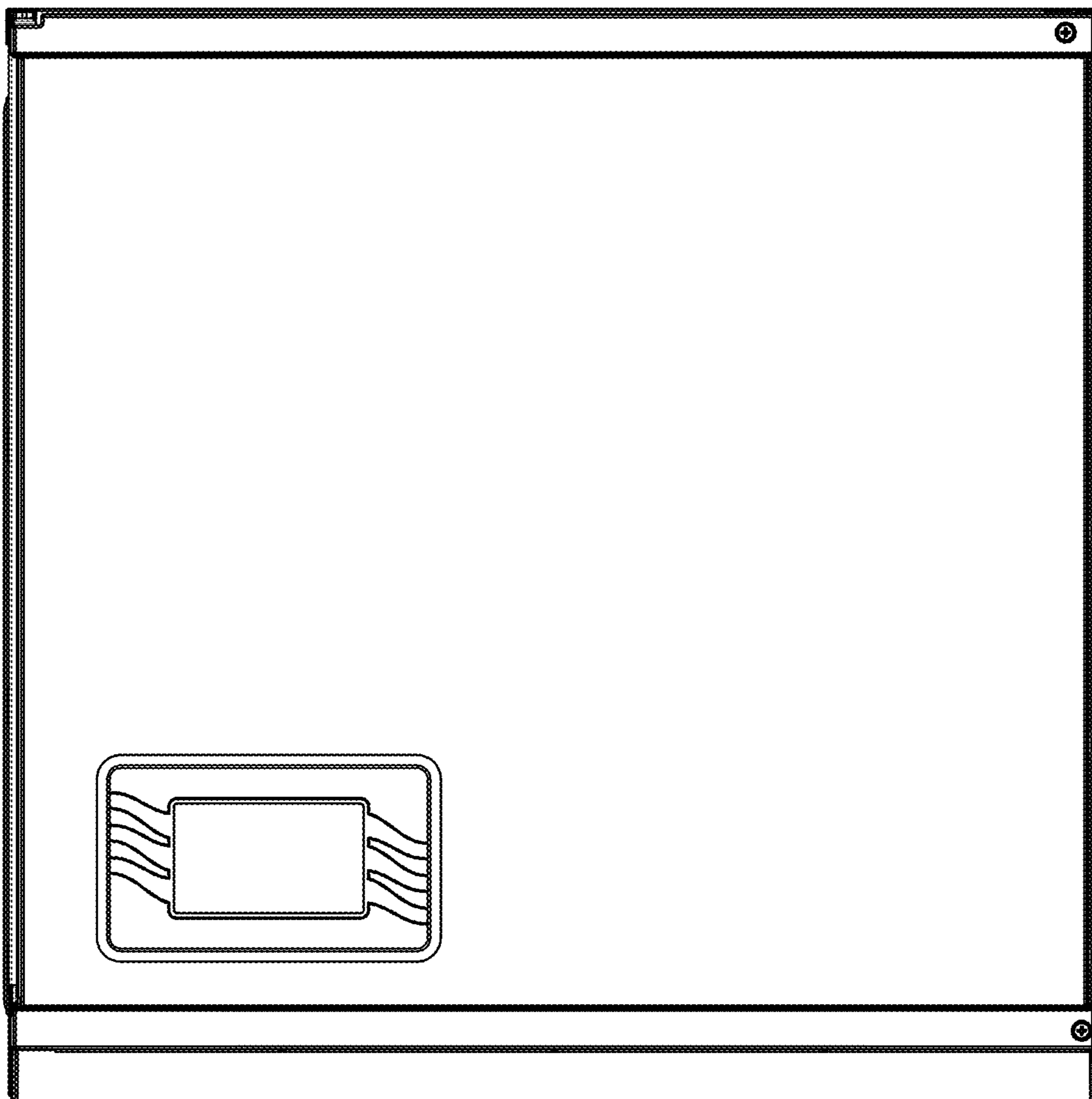


FIG. 3

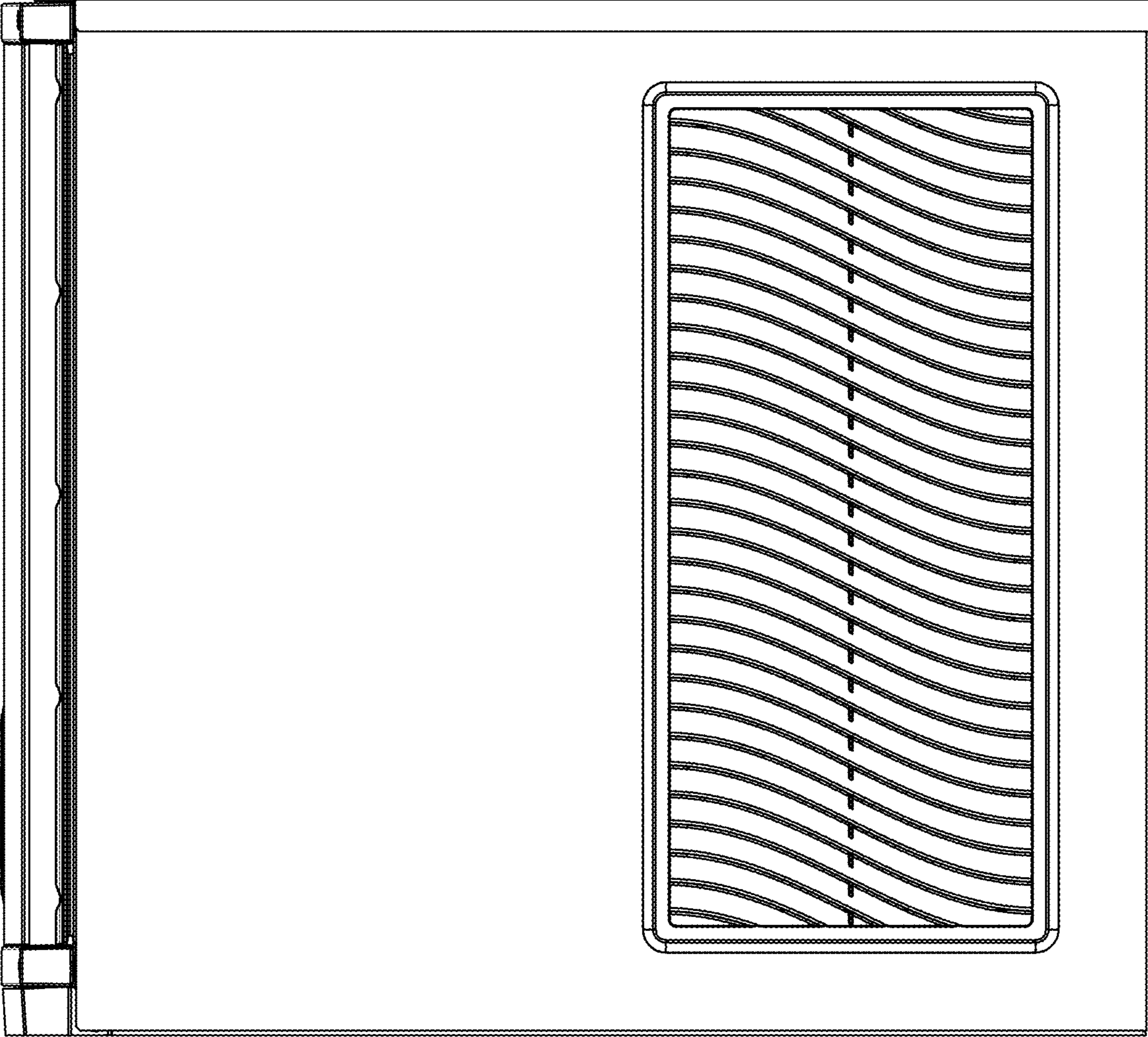


FIG. 4

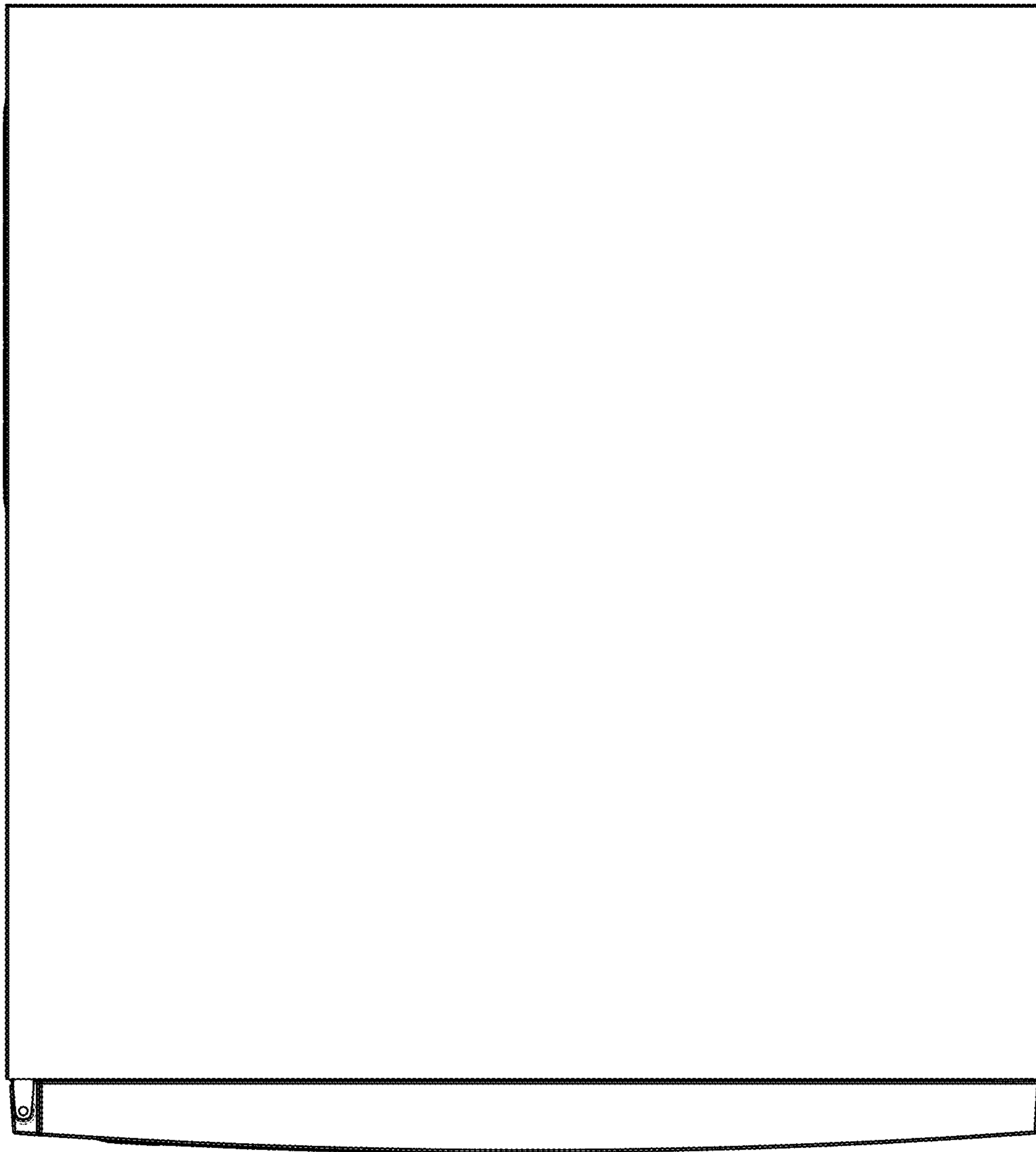


FIG. 5

