



US00D941887S

(12) **United States Design Patent** (10) **Patent No.:** **US D941,887 S**
Parzynski et al. (45) **Date of Patent:** **** Jan. 25, 2022**

(54) **BIT FOR A GROUND ENGAGING MACHINE IMPLEMENT**

(71) Applicant: **Caterpillar Inc.**, Peoria, IL (US)

(72) Inventors: **David Parzynski**, Peoria, IL (US);
Thomas Marshall Congdon, Dunlap, IL (US)

(73) Assignee: **Caterpillar Inc.**, Peoria, IL (US)

(**) Term: **15 Years**

(21) Appl. No.: **29/779,367**

(22) Filed: **Apr. 19, 2021**

Related U.S. Application Data

(63) Continuation of application No. 29/753,744, filed on Oct. 1, 2020, now Pat. No. Des. 924,944, which is a continuation of application No. 29/738,586, filed on Jun. 18, 2020, now Pat. No. Des. 907,072, which is a continuation of application No. 29/644,016, filed on Apr. 13, 2018, now Pat. No. Des. 890,816.

(51) **LOC (13) Cl.** **15-03**

(52) **U.S. Cl.**
USPC **D15/29**; D15/28

(58) **Field of Classification Search**
USPC D15/11, 28, 29; 37/456, 452, 450, 446, 37/454, 449, 453, 455, 903; 403/379.5, 403/DIG. 1; 111/152; 172/724, 730, 172/766, 770, 771, 721, 713, 699, 772
CPC Y10T 29/49826; Y10T 403/589; Y10T 403/7018; Y10T 403/7075; E02F 9/28; E02F 9/2825; E02F 9/2833; E02F 9/2866; E02F 9/2858; E02F 9/2808; E02F 9/2841
See application file for complete search history.

(56) **References Cited**

U.S. PATENT DOCUMENTS

821,215 A 5/1906 Cantlebery et al.
D234,436 S 3/1975 Holland

D296,442 S 6/1988 Broomhall
4,753,299 A 6/1988 Meyers
4,787,462 A 11/1988 Nichols
4,842,337 A 6/1989 Southern
4,883,129 A 11/1989 Lonn et al.
D308,683 S 6/1990 Meyers
D308,684 S 6/1990 Meyers
5,111,600 A 5/1992 Lukavich et al.
D339,592 S 9/1993 Johansson
5,271,342 A 12/1993 Neidhardt
5,423,138 A 6/1995 Livesay et al.

(Continued)

FOREIGN PATENT DOCUMENTS

CL 201302335 4/2014
EM 001402010-0017 1/2014

(Continued)

Primary Examiner — Mark A Goodwin

(74) *Attorney, Agent, or Firm* — Saidman Design Law Group

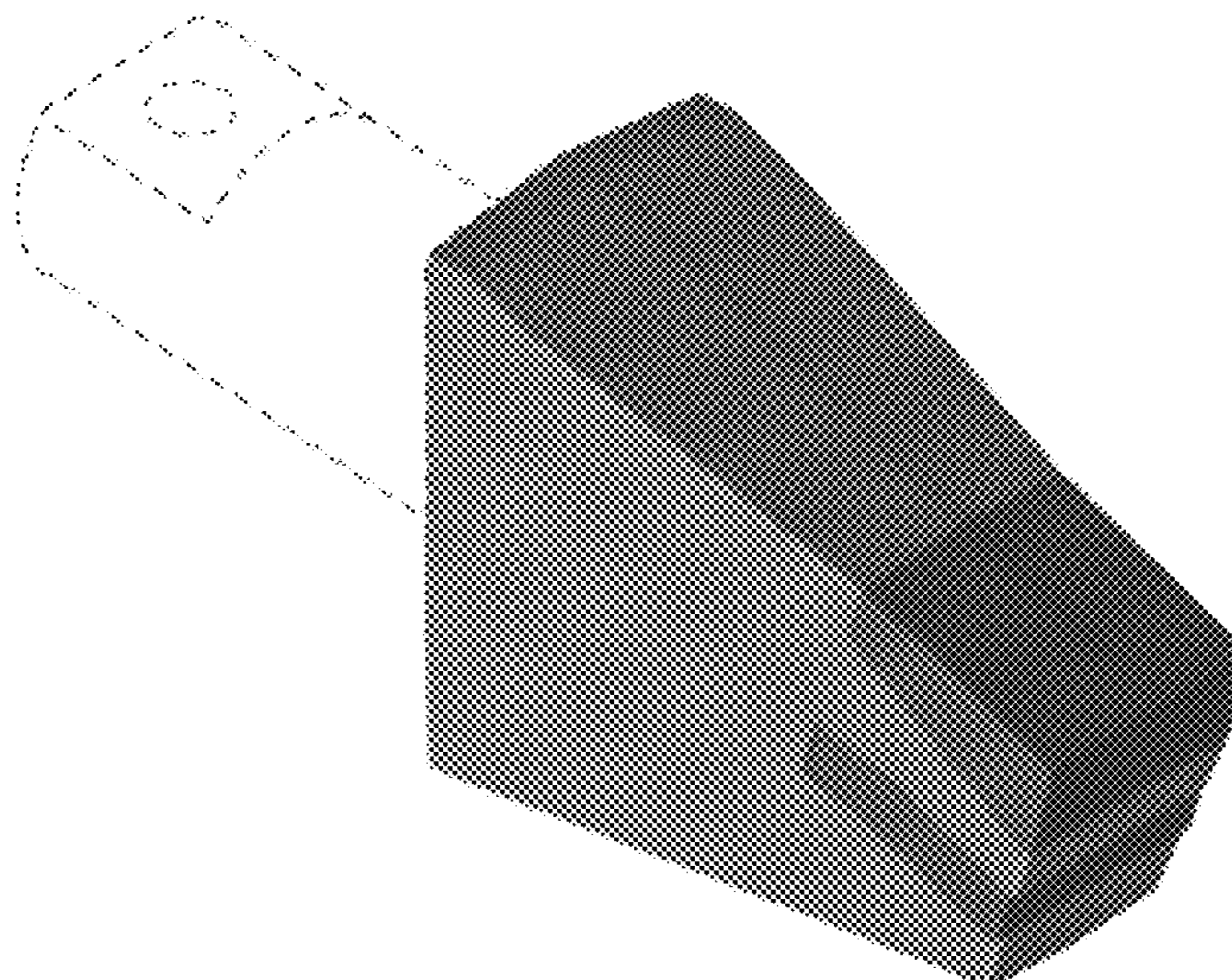
(57) **CLAIM**

The ornamental design for a bit for a ground engaging machine implement, as shown and described.

DESCRIPTION

FIG. 1 is a front, left perspective view of a bit for a ground engaging machine implement showing our new design; FIG. 2 is a rear, left perspective view thereof; FIG. 3 is a front view thereof; FIG. 4 is a rear view thereof; FIG. 5 is a left side view thereof; FIG. 6 is a right side view thereof; FIG. 7 is a top view thereof; and, FIG. 8 is a bottom view thereof. The broken lines illustrate structure or features which form no part of the claimed design.

1 Claim, 4 Drawing Sheets



(56)

References Cited

U.S. PATENT DOCUMENTS

5,495,814 A 3/1996 Primus
 5,941,318 A 8/1999 Bergen
 D424,579 S 5/2000 Brady
 D430,578 S 9/2000 Brady
 D471,211 S 3/2003 Sollami
 D483,382 S 12/2003 Brady
 D487,753 S 3/2004 Brady
 D488,170 S 4/2004 Sollami
 6,854,527 B2 2/2005 Manway et al.
 7,367,144 B2 5/2008 Jones et al.
 D601,592 S 10/2009 Watson et al.
 D617,351 S 6/2010 Brockway
 D699,268 S 2/2014 O'Connor
 D699,269 S 2/2014 Whittaker et al.
 8,657,143 B2 2/2014 Walker
 8,857,531 B2 10/2014 Smeets et al.
 D727,368 S 4/2015 Renski et al.
 D727,982 S 4/2015 Renski et al.
 9,066,462 B2 6/2015 Arksey et al.
 D748,679 S 2/2016 Renski et al.
 D749,145 S 2/2016 Renski et al.
 D751,610 S 3/2016 Serrurier et al.

D774,566 S 12/2016 Balan et al.
 D775,241 S 12/2016 Balan et al.
 D775,673 S 1/2017 Balan et al.
 D779,564 S 2/2017 Jensen et al.
 D790,602 S 6/2017 Balan et al.
 D790,603 S 6/2017 Balan et al.
 D790,605 S 6/2017 Balan et al.
 D790,606 S 6/2017 Balan et al.
 D800,798 S 10/2017 Stewart
 D801,397 S 10/2017 Balan et al.
 D803,901 S 11/2017 Serrurier et al.
 D806,758 S 1/2018 Serrurier et al.
 D890,016 S 7/2020 Parzynski et al.
 2016/0153178 A1 6/2016 Amstutz
 2019/0316319 A1 10/2019 Parzynski, Jr. et al.
 2019/0316320 A1 10/2019 Parzynski, Jr. et al.
 2019/0316325 A1 10/2019 Parzynski, Jr. et al.
 2019/0316326 A1 10/2019 Parzynski, Jr. et al.
 2019/0316327 A1 10/2019 Parzynski, Jr. et al.
 2019/0316328 A1 10/2019 Parzynski, Jr. et al.

FOREIGN PATENT DOCUMENTS

EM 002539825-0001 9/2014
 EM 002969873-0002 2/2016
 EM 005658127-0001 9/2018

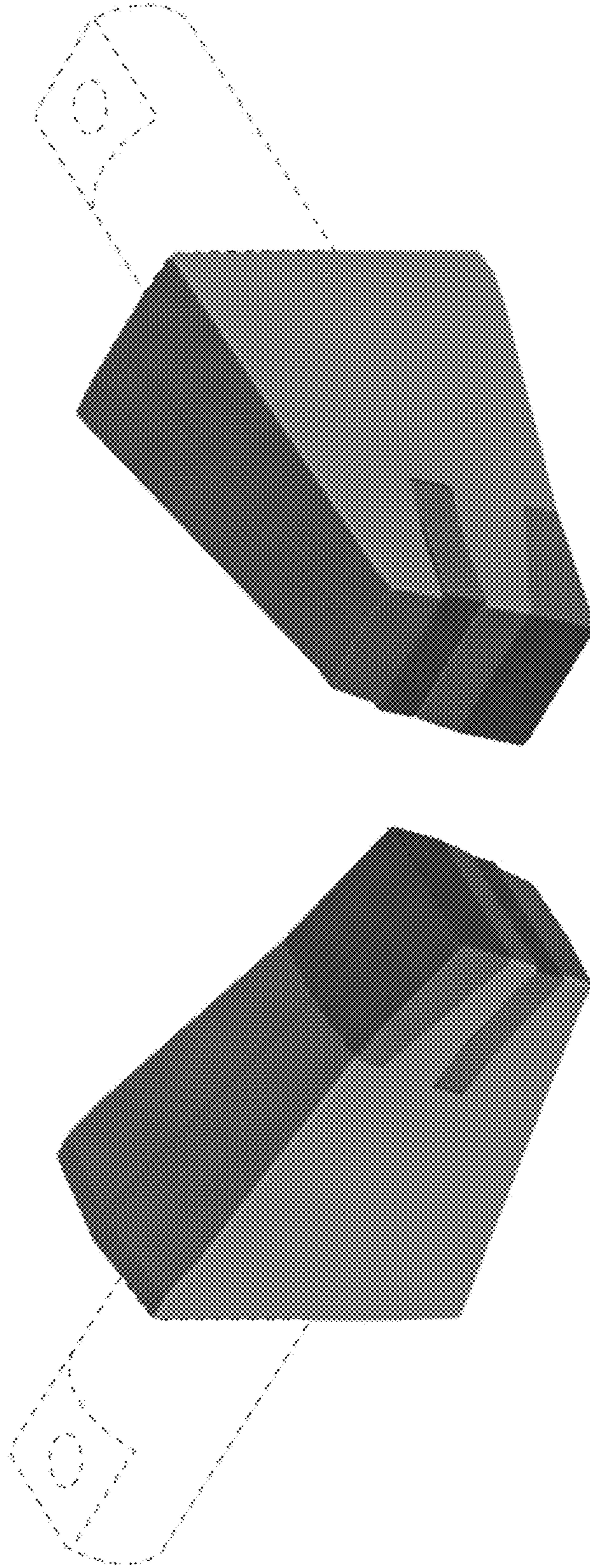


FIG. 2

FIG. 1

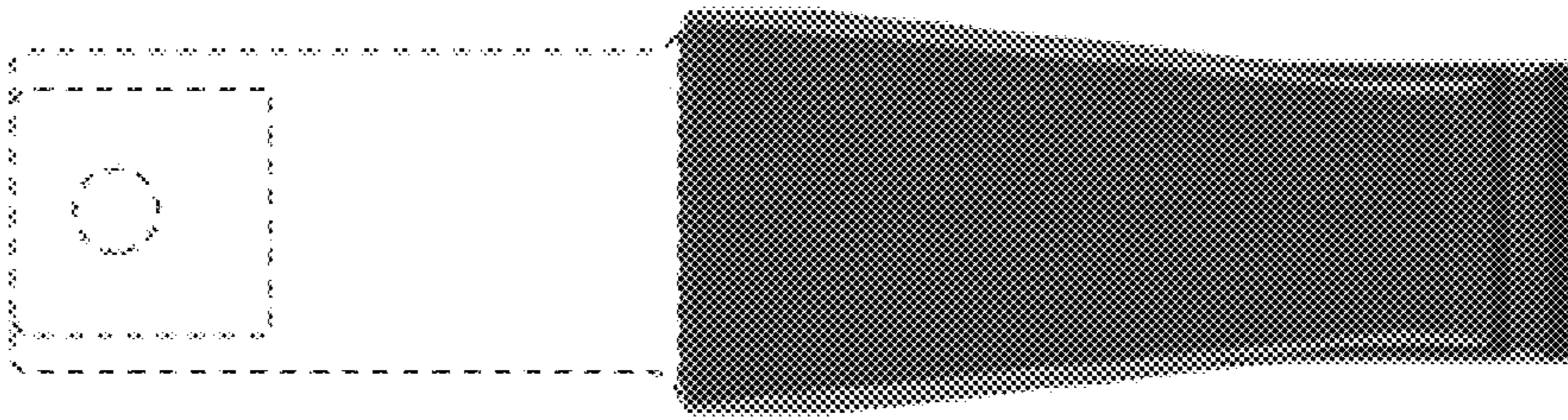


FIG. 4

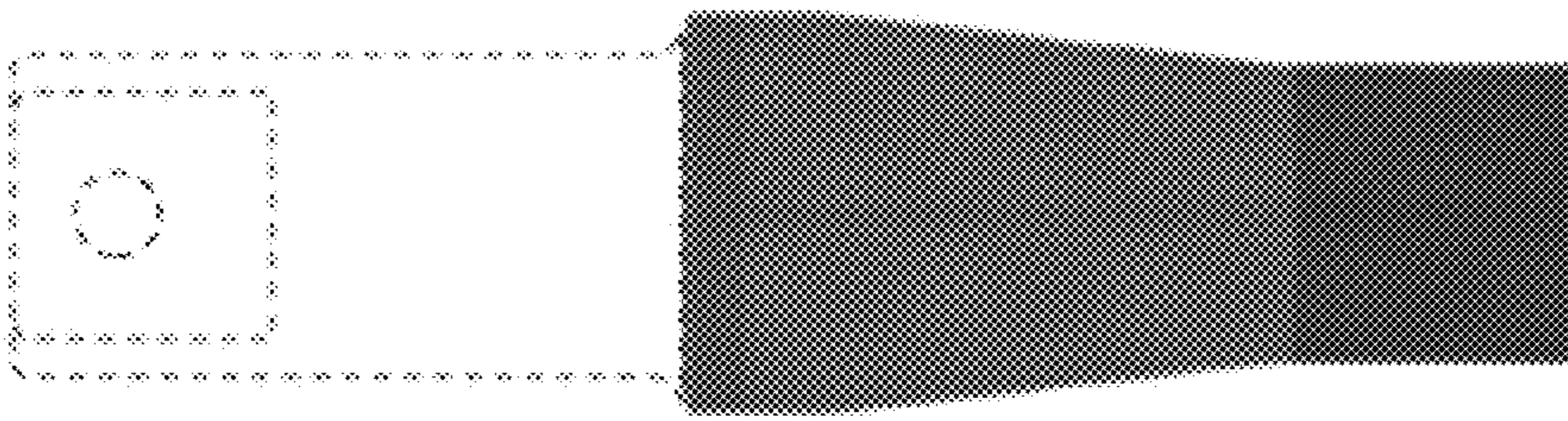


FIG. 3

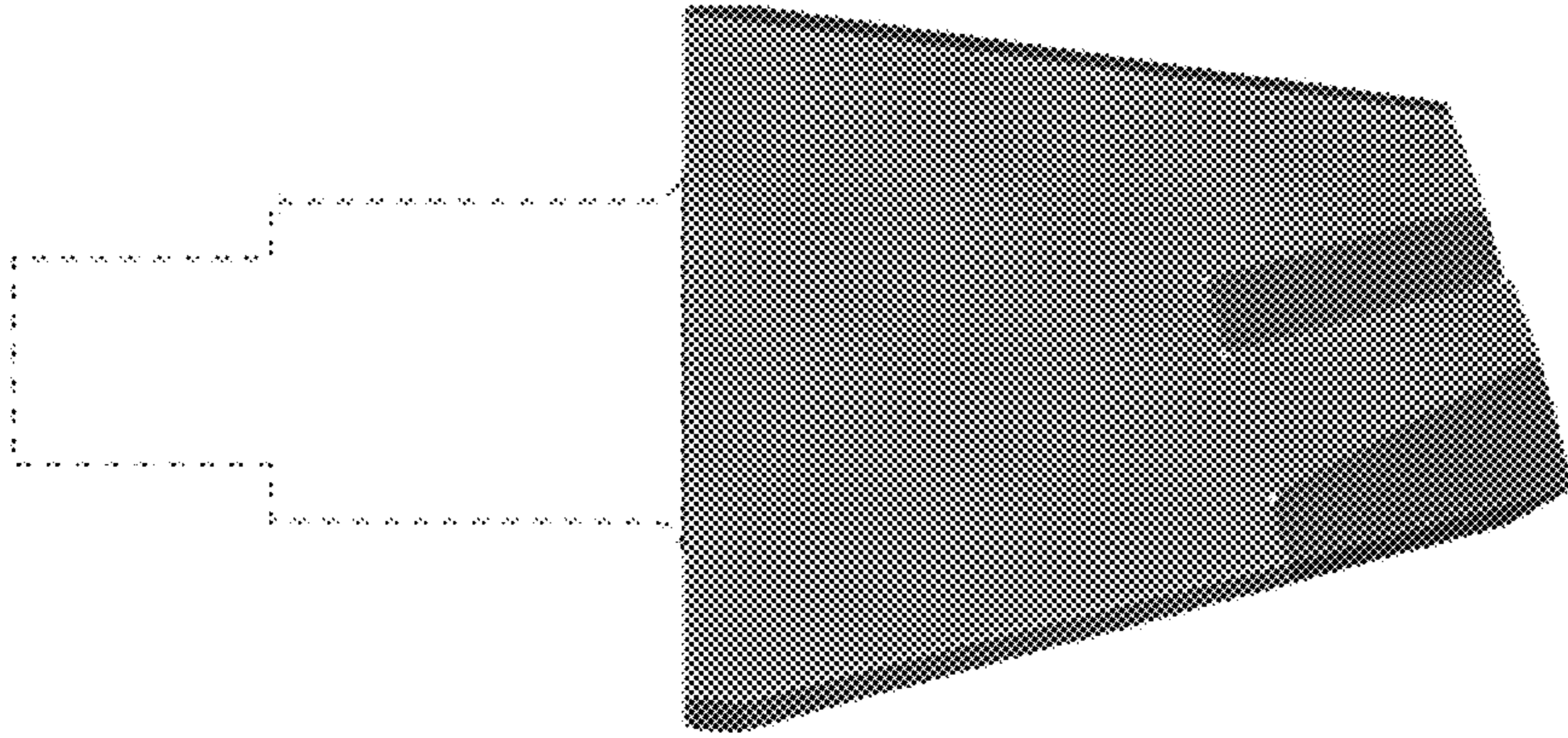


FIG. 5

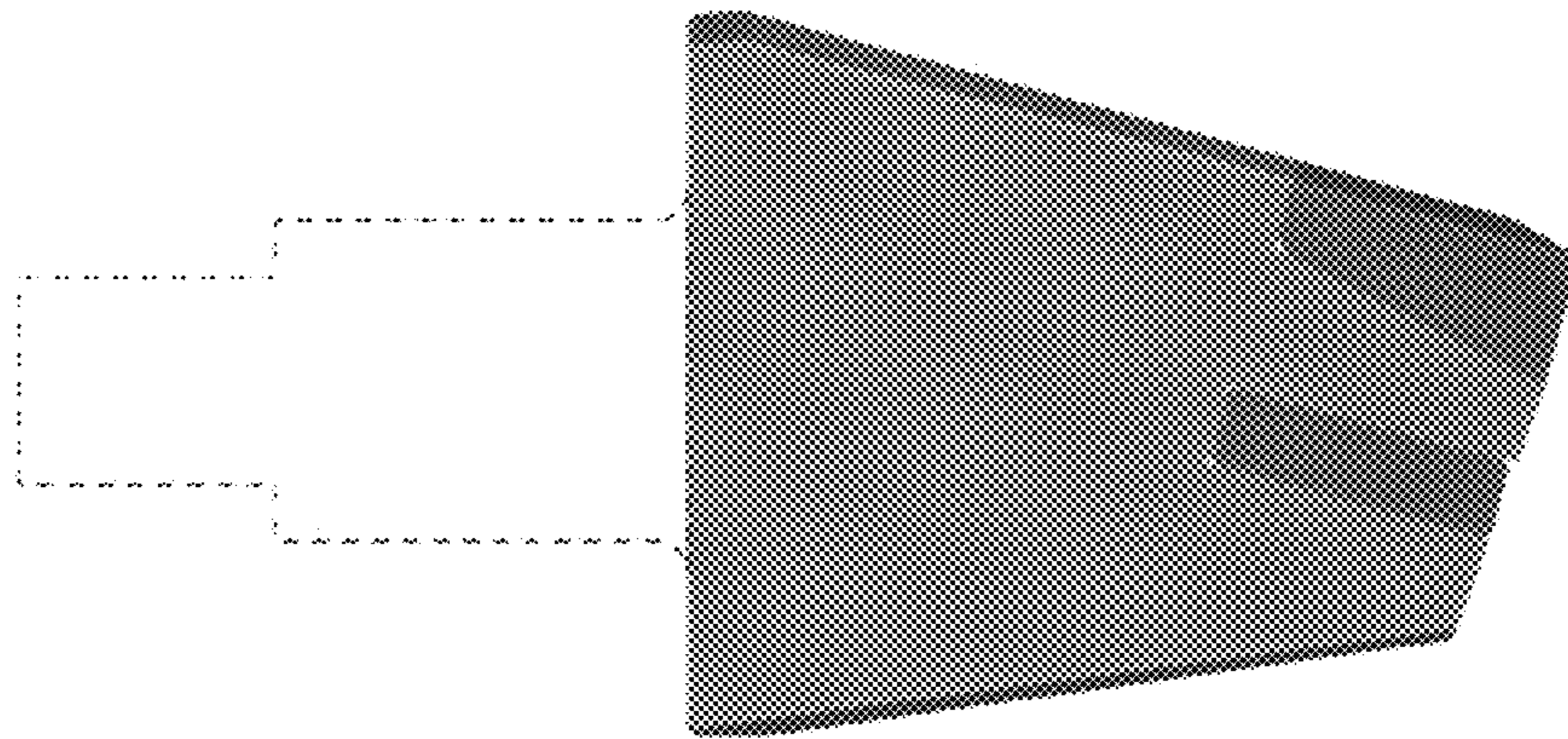


FIG. 6

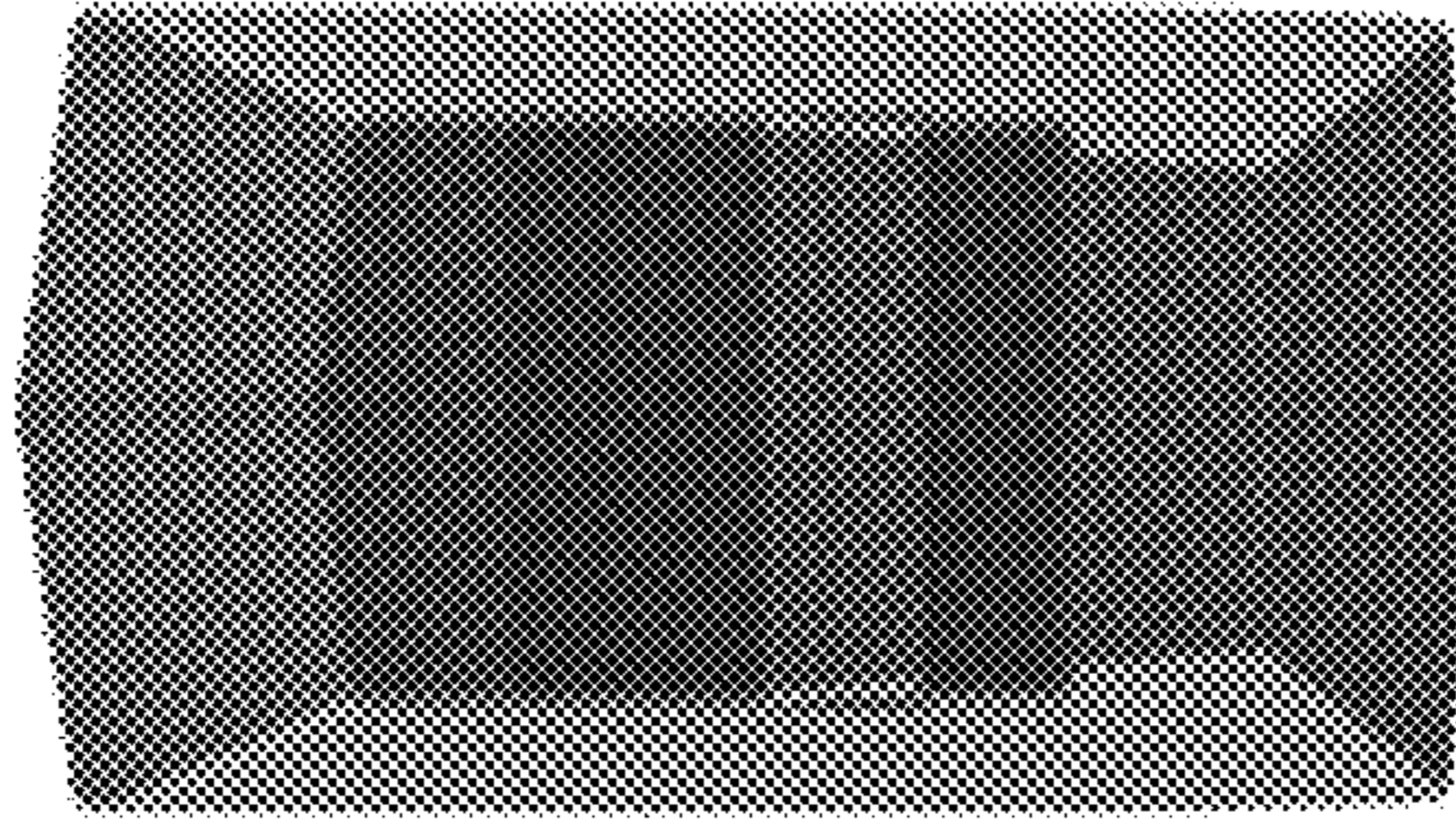


FIG. 8

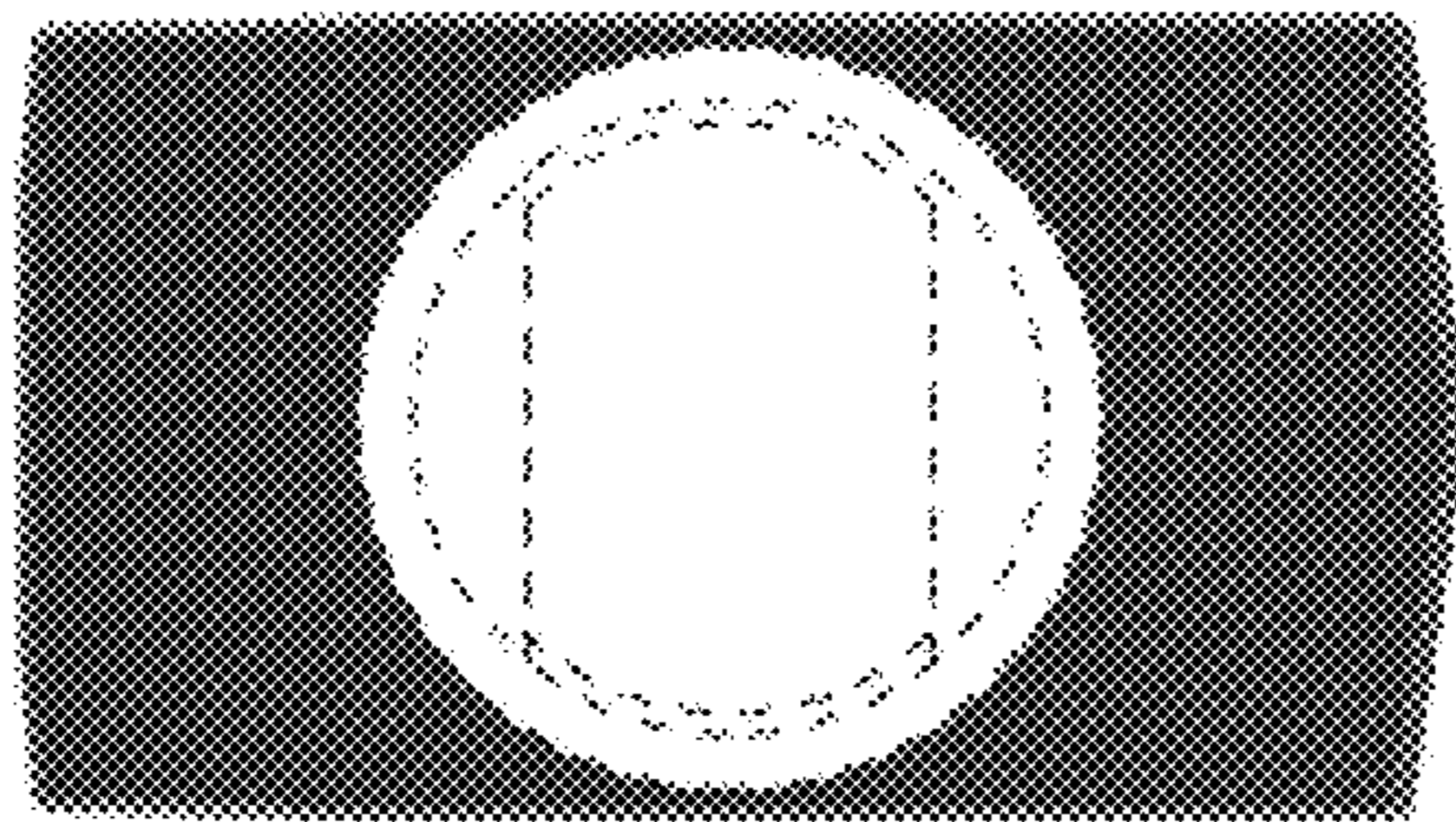


FIG. 7