



US00D941886S

(12) **United States Design Patent** (10) **Patent No.:** **US D941,886 S**
Dumitru (45) **Date of Patent:** **** Jan. 25, 2022**

(54) **SLIDER**
(71) Applicant: **CATERPILLAR INC.**, Peoria, IL (US)
(72) Inventor: **Mircea Dumitru**, Washington, IL (US)
(73) Assignee: **Caterpillar Inc.**, Peoria, IL (US)
(**) Term: **15 Years**
(21) Appl. No.: **29/714,104**

(22) Filed: **Nov. 21, 2019**
(51) **LOC (13) Cl.** **15-03**
(52) **U.S. Cl.**
USPC **D15/28**
(58) **Field of Classification Search**
USPC D15/10-33
CPC B62D 55/08; B62D 55/00; B62D 55/084;
B62D 55/0847; B62D 55/10; B62D
55/26; B62D 55/092; B62D 55/15; B62D
55/202
See application file for complete search history.

(56) **References Cited**

U.S. PATENT DOCUMENTS

3,887,243	A	6/1975	Chaumont	
5,096,270	A *	3/1992	Oilund	B62D 55/0845 180/6.7
5,571,275	A	11/1996	Cyr	
5,941,326	A	8/1999	Fleuchaus	
6,155,656	A	12/2000	Gulla	
9,199,694	B2	12/2015	Handfield	
9,333,998	B2 *	5/2016	Thorson	B62D 55/211
9,352,793	B2 *	5/2016	Vitas	B62D 55/0847
D763,931	S *	8/2016	Colwell	D15/28
9,776,676	B2 *	10/2017	Scheuerman	B62D 55/26
9,988,110	B2 *	6/2018	Scheuerman	B62D 55/26
10,328,981	B2	6/2019	Sibilleau	
10,543,876	B2 *	1/2020	Dumitru	B62D 55/0845
10,562,574	B2 *	2/2020	Dumitru	B62D 55/084
2009/0008990	A1	1/2009	Sibilleau	

2014/0265548 A1* 9/2014 Vitas B62D 55/0847
305/124
2015/0130268 A1* 5/2015 Scheuerman B62D 55/15
305/116
2016/0251058 A1 9/2016 Beavis
2017/0361883 A1 12/2017 Scheuerman et al.
(Continued)

FOREIGN PATENT DOCUMENTS

CL 2019000550 A1 7/2019
EP 2489579 A1 8/2012
(Continued)

OTHER PUBLICATIONS

Office Action and Substantive Report, dated Mar. 17, 2021, issued in Chilean Patent Application No. CL 2020001305 (13 pages).

Primary Examiner — Mark A Goodwin
(74) *Attorney, Agent, or Firm* — Finnegan, Henderson, Farabow, Garrett & Dunner, LLP

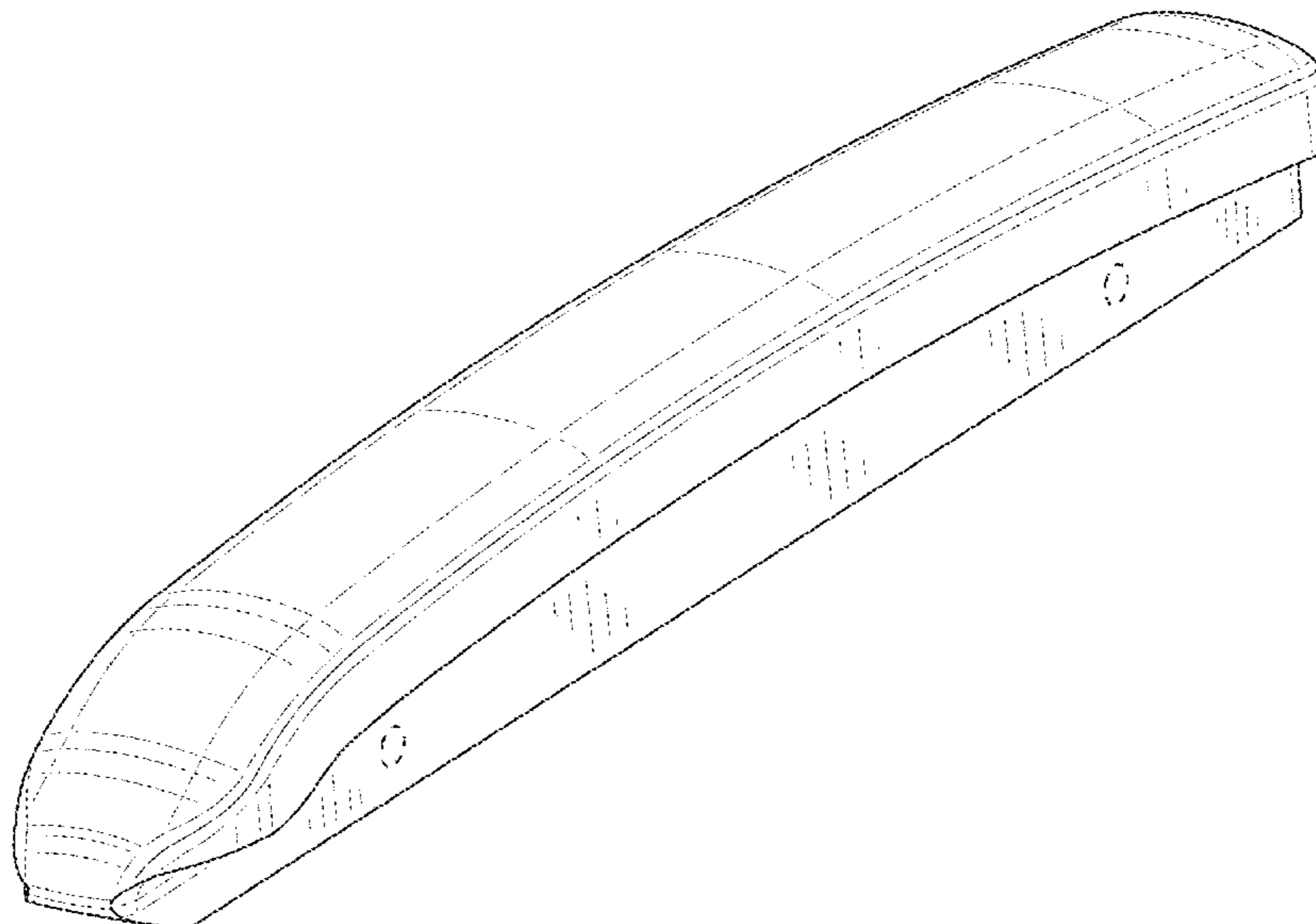
(57) **CLAIM**

The ornamental design for a slider, as shown and described.

DESCRIPTION

FIG. 1 is a front, top, right perspective view of a slider showing the new design;
FIG. 2 is a rear, bottom, left perspective view thereof;
FIG. 3 is front, bottom, left perspective view thereof;
FIG. 4 is a right-side elevation view thereof;
FIG. 5 is a left-side elevation view thereof;
FIG. 6 is a rear elevation view thereof;
FIG. 7 is front elevation view thereof;
FIG. 8 is a top plan view thereof; and,
FIG. 9 is a bottom plan view thereof.
The broken lines of even length shown in the drawings illustrate portions of the slider that form no part of the claimed design.

1 Claim, 8 Drawing Sheets



(56)

References Cited

U.S. PATENT DOCUMENTS

2018/0065691 A1 3/2018 Dumitru
2018/0170463 A1* 6/2018 Dumitru B62D 55/0845

FOREIGN PATENT DOCUMENTS

EP 2511163 A1 10/2012
JP 2007-099159 A 4/2007
JP 4054595 B2 2/2008
JP 2010-264834 A 11/2010
JP 4724020 B2 7/2011
JP 2017-047769 A 3/2017
JP 2018-100081 A 6/2018

* cited by examiner

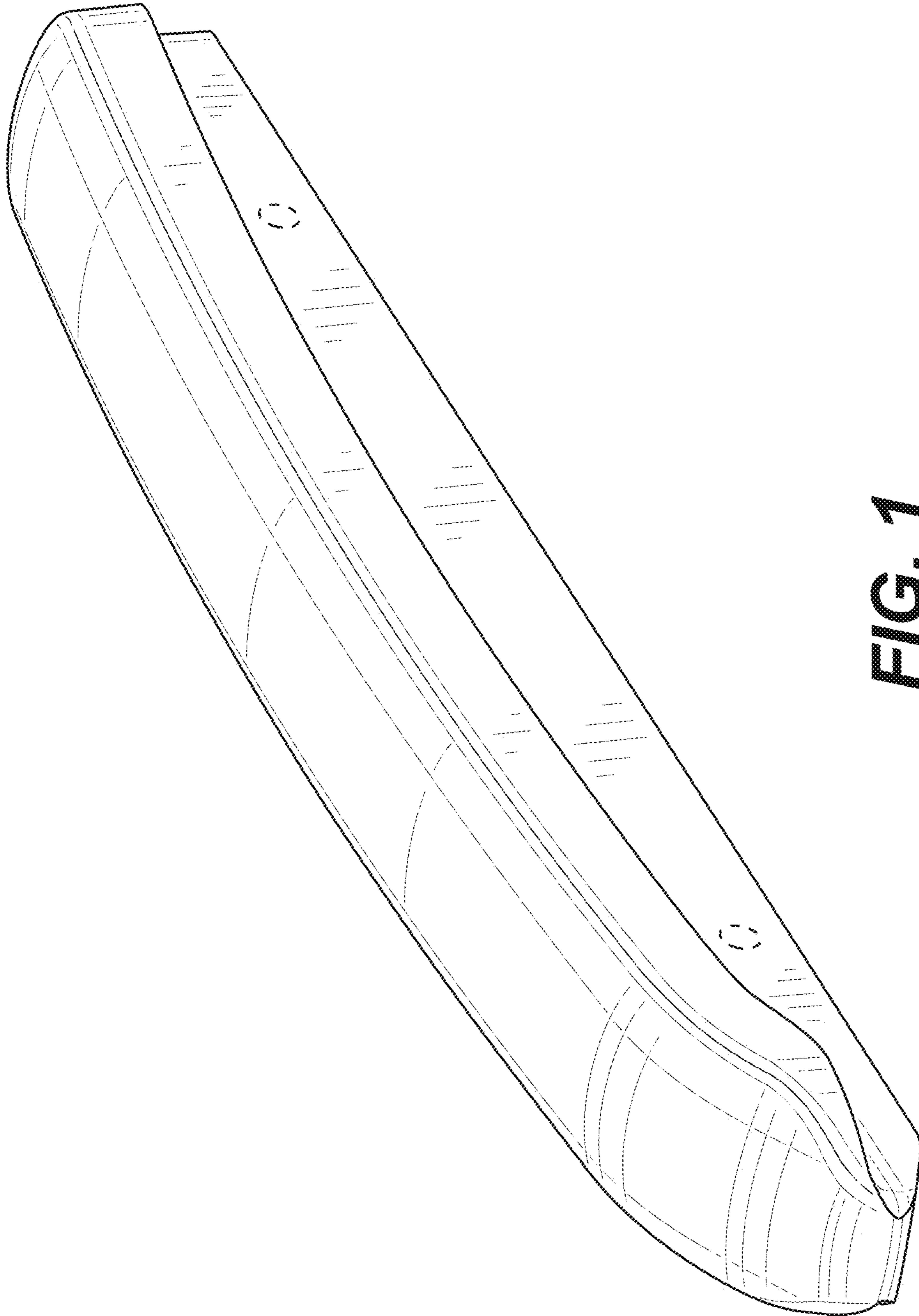


FIG. 1

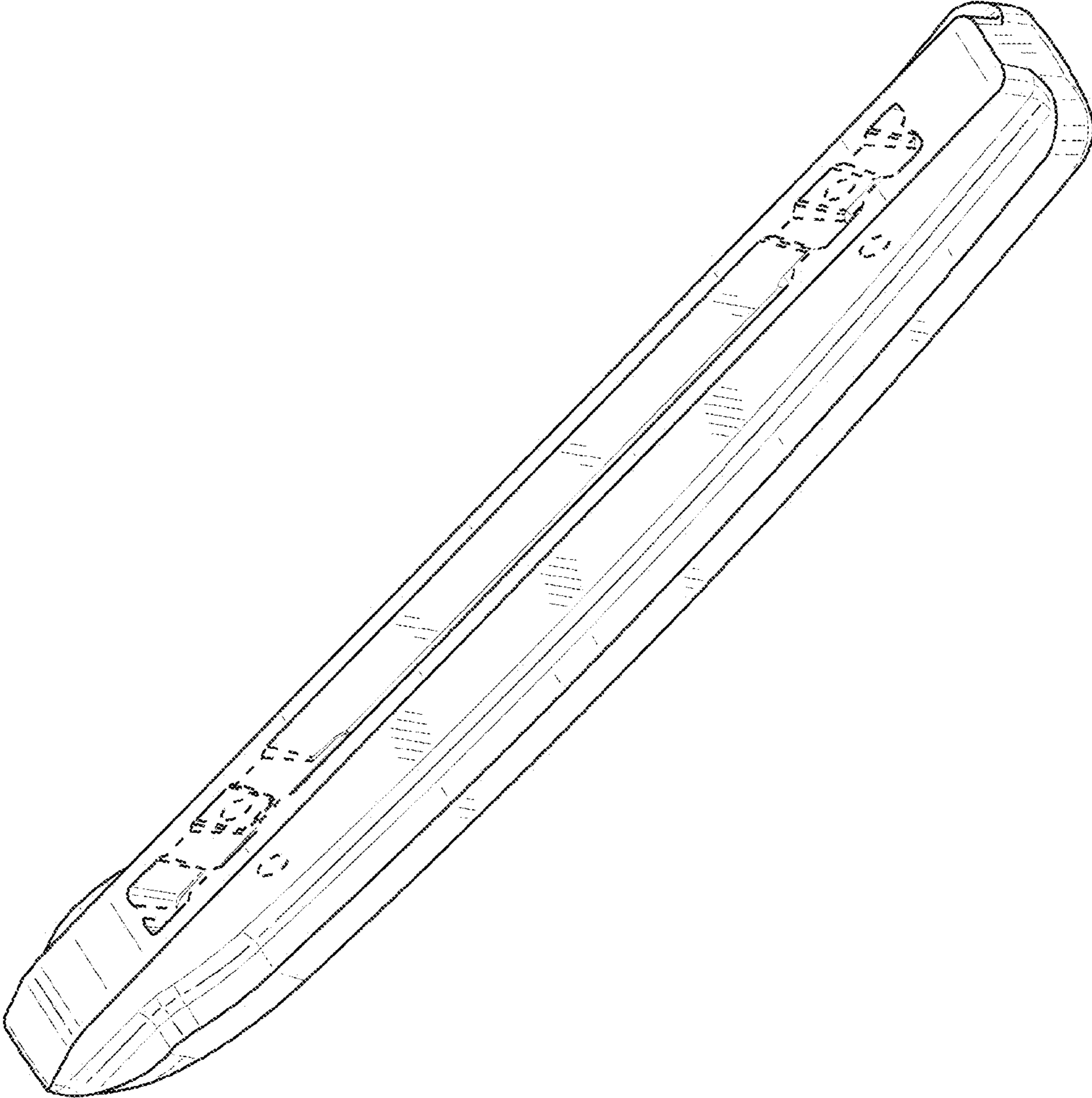


FIG. 2

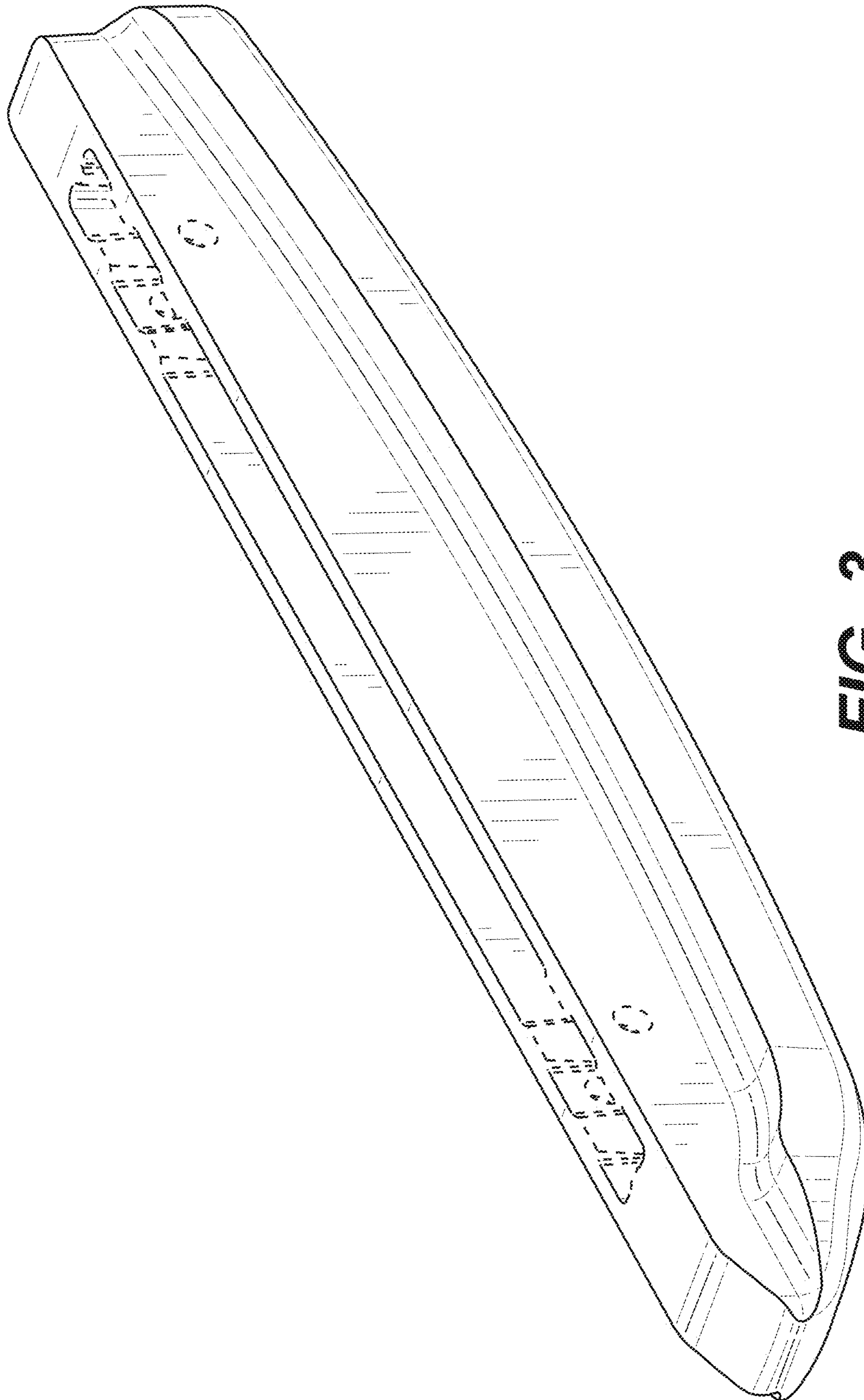


FIG. 3

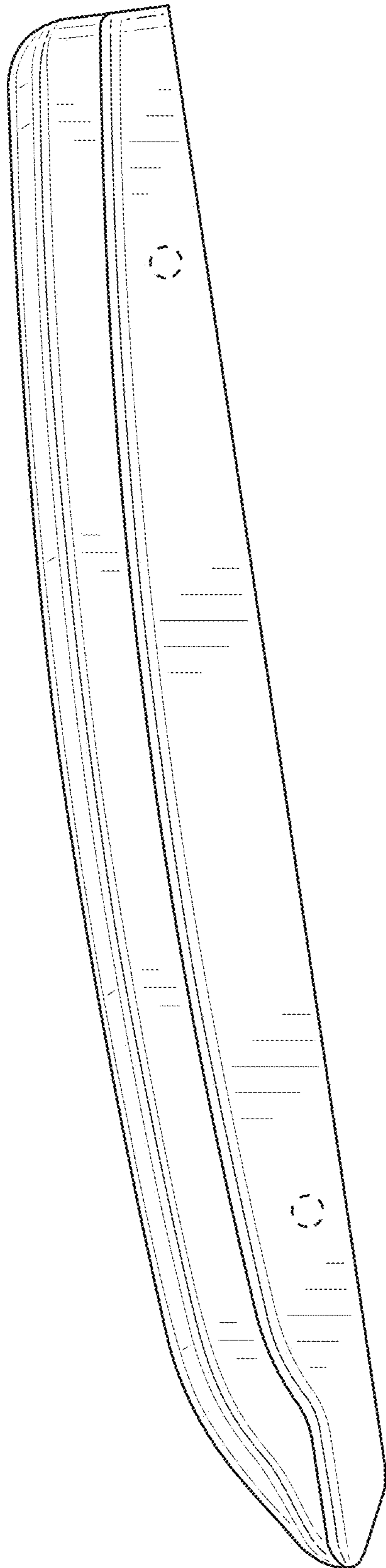


FIG. 4

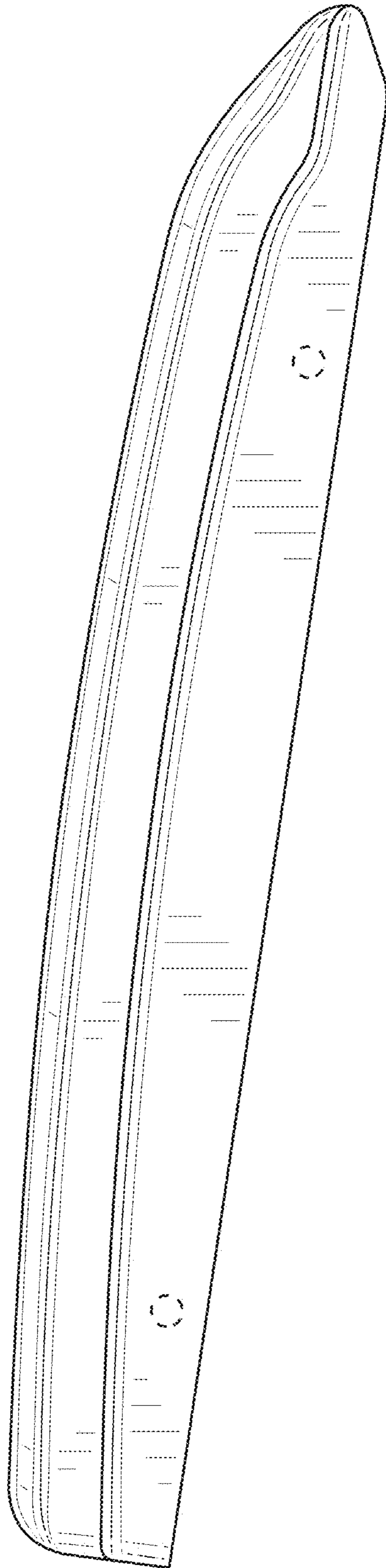


FIG. 5

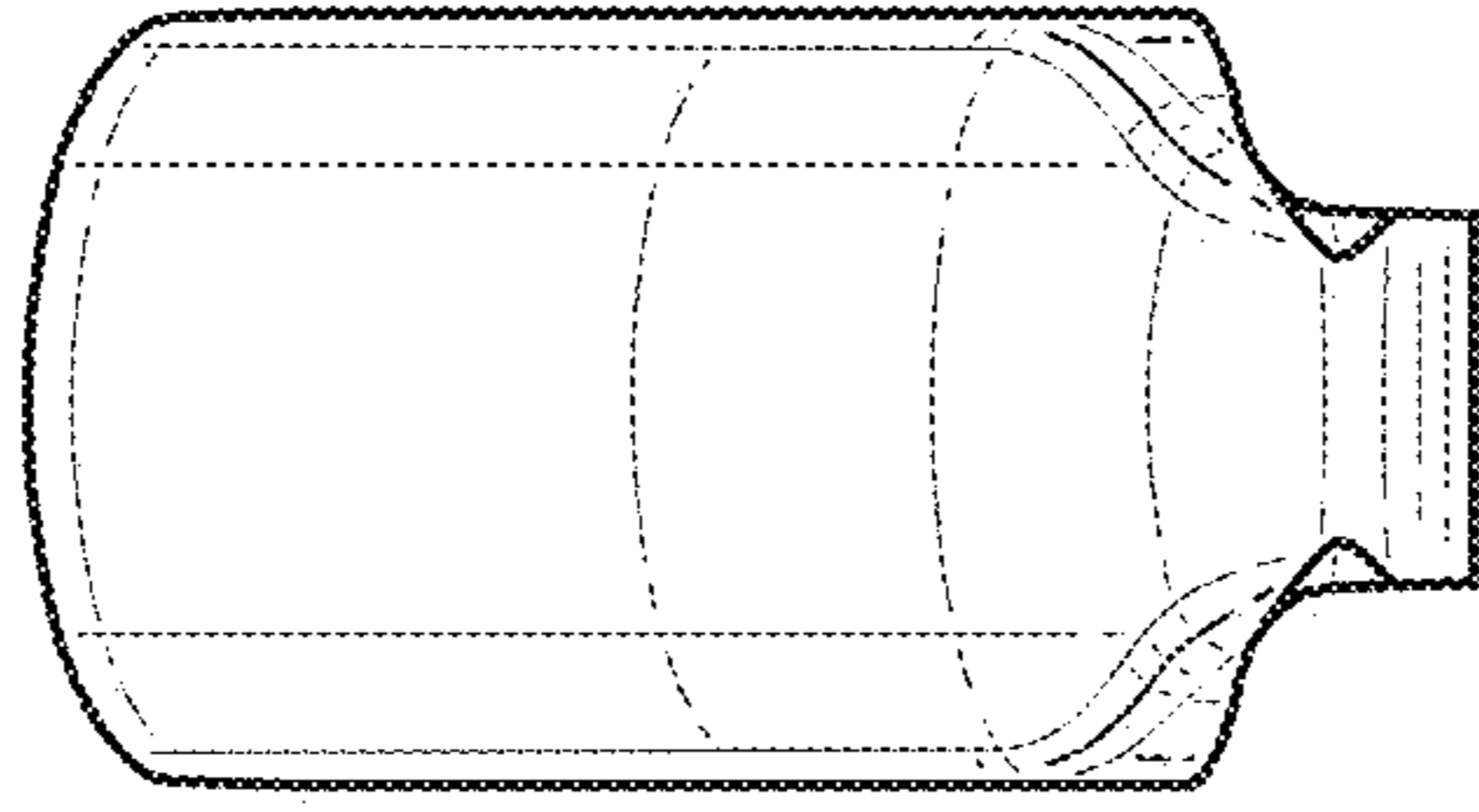


FIG. 7

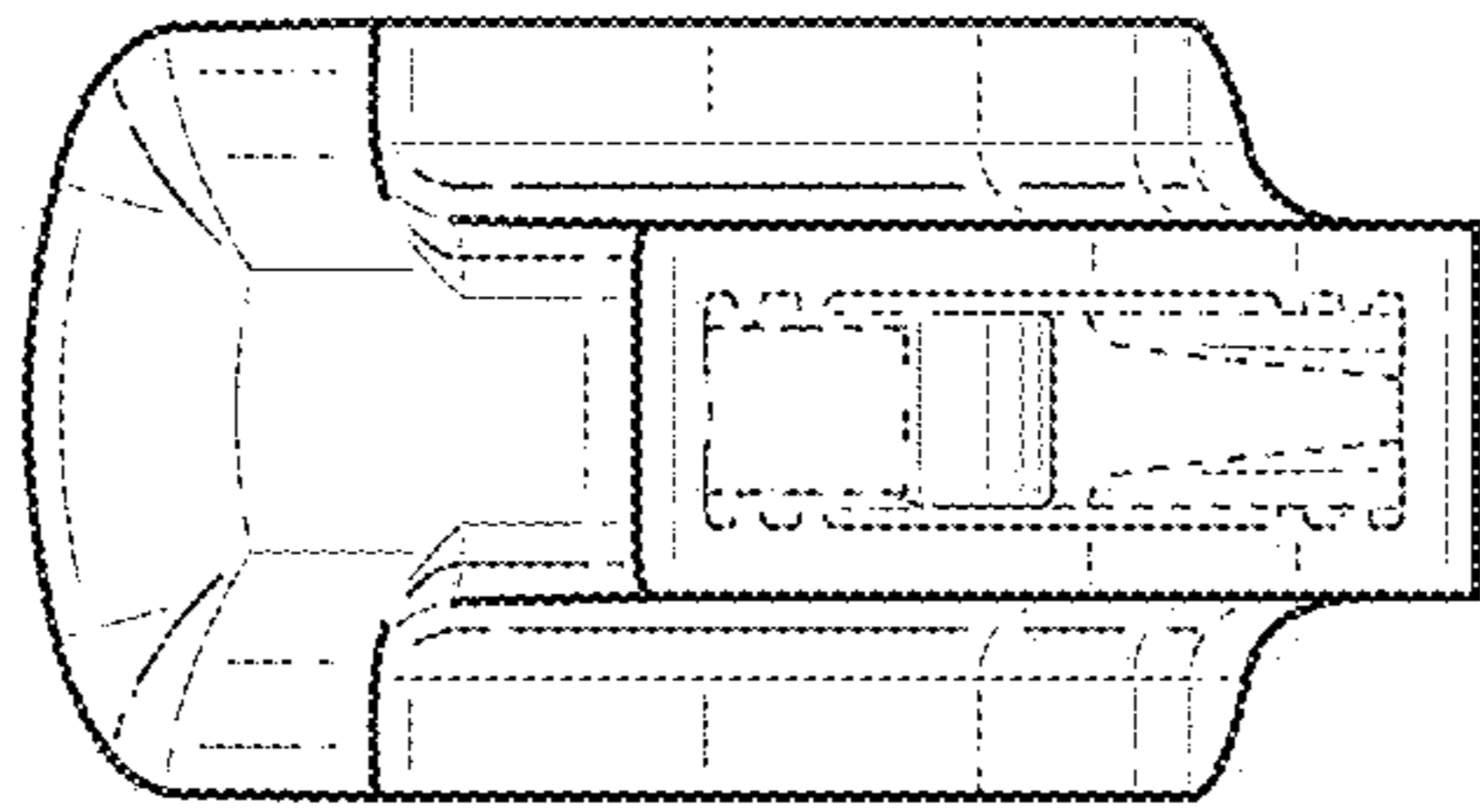


FIG. 6

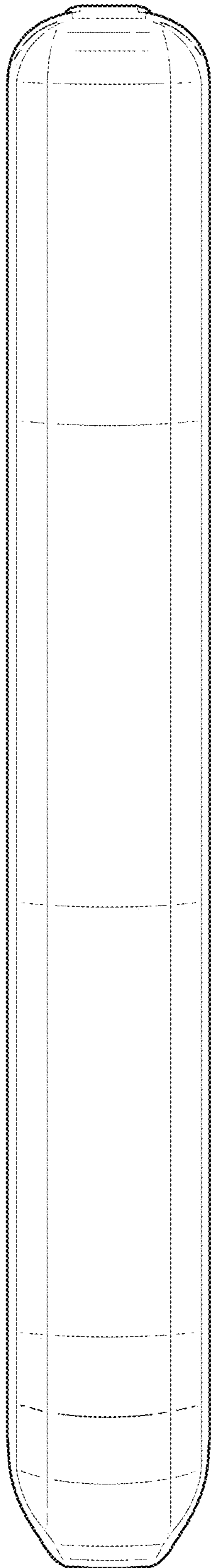


FIG. 8

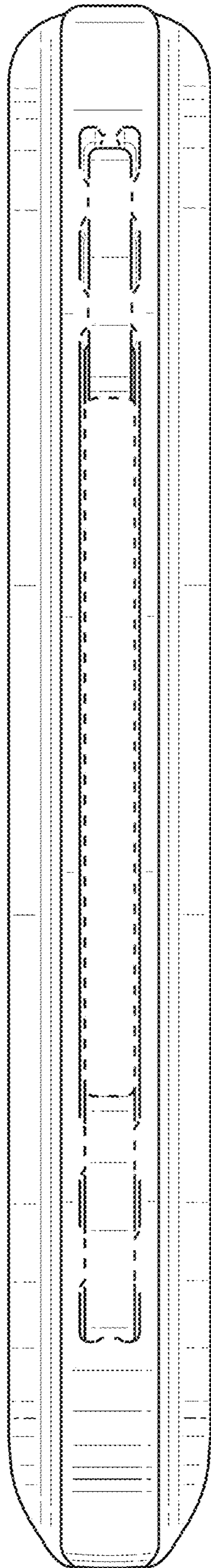


FIG. 9