



US00D941884S

(12) **United States Design Patent** (10) **Patent No.:** **US D941,884 S**  
**Kneer et al.** (45) **Date of Patent:** **\*\* Jan. 25, 2022**

(54) **PUMP**

(71) Applicant: **PSG GERMANY GMBH**, Duisburg (DE)  
 (72) Inventors: **Andreas Kneer**, Rheinberg (DE);  
**Sascha Westphal**, Kamp-Lintfort (DE)  
 (73) Assignee: **PSG GERMANY GMBH**, Duisburg (DK)  
 (\*\*) Term: **15 Years**  
 (21) Appl. No.: **29/778,737**  
 (22) Filed: **Apr. 14, 2021**

**Related U.S. Application Data**

(62) Division of application No. 35/507,027, filed on Dec. 6, 2018 (U.S. filing date under 35 U.S.C. 384), and having an international filing date of Dec. 6, 2018, now Pat. No. Des. 923,060.

**Foreign Application Priority Data**

Aug. 9, 2018 (EM) ..... 005594538-0001  
 Aug. 9, 2018 (EM) ..... 005594538-0002  
 Aug. 9, 2018 (EM) ..... 005594538-0003  
 Aug. 9, 2018 (EM) ..... 005594538-0004  
 Aug. 9, 2018 (EM) ..... 005594538-0005

(51) **LOC (13) Cl.** ..... **15-02**

(52) **U.S. Cl.**  
 USPC ..... **D15/7**  
 CPC ..... **F02M 37/04** (2013.01)

(58) **Field of Classification Search**  
 USPC ..... D15/7-9, 231, 225, 232; 417/235, 265,  
 417/321, 355, 358, 363, 359, 410.1, 415,  
 417/416, 405, 900, 269, 539, 234, 60;  
 60/408, 412; 184/26-37; 415/140-147;  
 123/495, 509; 137/565, 34  
 CPC ..... F02M 37/04; F02M 37/14; F04B 53/92;  
 F04B 1/005; F04B 43/0736  
 See application file for complete search history.

(56) **References Cited**

U.S. PATENT DOCUMENTS

D293,912 S \* 1/1988 Wilgus ..... D15/7  
 D293,913 S \* 1/1988 Wilgus ..... D15/7  
 D516,583 S 3/2006 Strong  
 D555,089 S 11/2007 Lutz  
 D591,310 S 4/2009 Soja  
 D641,379 S \* 7/2011 Milojevic ..... D15/7  
 D641,380 S \* 7/2011 Milojevic ..... D15/7  
 D641,381 S \* 7/2011 Milojevic ..... D15/7  
 D647,537 S 10/2011 Mehnert  
 D676,063 S 2/2013 Soja  
 D676,462 S 2/2013 Soja

(Continued)

FOREIGN PATENT DOCUMENTS

DE 8432047 U1 2/1985  
 DE 6724104 A1 2/1989

(Continued)

*Primary Examiner* — Richard E Chilcot  
 (74) *Attorney, Agent, or Firm* — Howard IP Law Group,  
 PC; Edward J. Howard

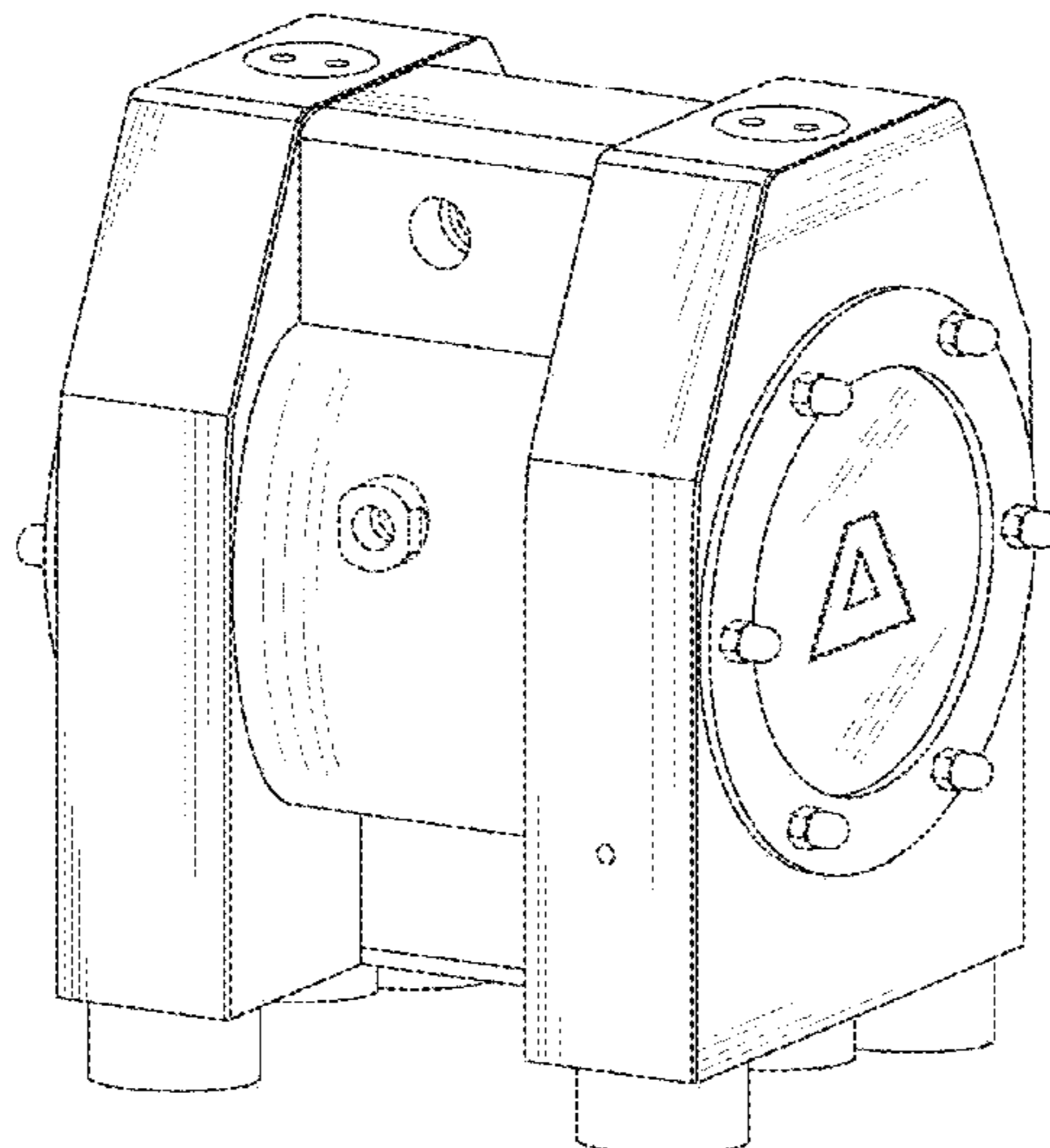
(57) **CLAIM**

The ornamental design for a pump, as shown and described.

**DESCRIPTION**

FIG. 1 is a perspective view of a pump;  
 FIG. 2 is a front view thereof;  
 FIG. 3 is a back view thereof;  
 FIG. 4 is a top view thereof;  
 FIG. 5 is a bottom view thereof;  
 FIG. 6 is a right side view thereof; and,  
 FIG. 7 is a left side view thereof.  
 The broken lines in the drawings depict portions of the pump that form no part of the claimed design.

**1 Claim, 7 Drawing Sheets**



(56)

References Cited

U.S. PATENT DOCUMENTS

D677,282 S 3/2013 Soja  
D677,283 S 3/2013 Soja  
D697,532 S \* 1/2014 Varini ..... D15/7  
9,028,224 B2 5/2015 Headley et al.  
9,309,885 B2 4/2016 Blechschmidt  
D797,154 S 9/2017 Fujiwara  
D858,582 S \* 9/2019 Shibazaki ..... D15/7  
D861,734 S 10/2019 Hanselman et al.  
D865,005 S 10/2019 Hanselman et al.  
D874,522 S 2/2020 Beukenberg et al.  
2002/0039535 A1 4/2002 Budde  
2007/0065305 A1 3/2007 Budde et al.  
2016/0215679 A1 7/2016 Pawellek  
2017/0254253 A1 9/2017 Hoffmann et al.  
2017/0335844 A1 11/2017 Blechschmidt  
2017/0370274 A1 12/2017 Hoffmann et al.

FOREIGN PATENT DOCUMENTS

DE 10044868 A1 4/2002  
DE 102004045687 A1 3/2006  
DE 102015007331 A1 12/2016  
EM 0010962910001 3/2009  
EM 0010962910002 3/2009  
EM 0025377870001 10/2014  
EM 0025377870002 10/2014  
EM 0025377870003 10/2014  
EM 0025377870004 10/2014  
EM 0025377870005 10/2014  
EM 0025377870006 10/2014  
EM 0053012640001 6/2018  
EM 0053012640002 6/2018  
EM 0053012640003 6/2018  
EM 0053012640004 6/2018

\* cited by examiner

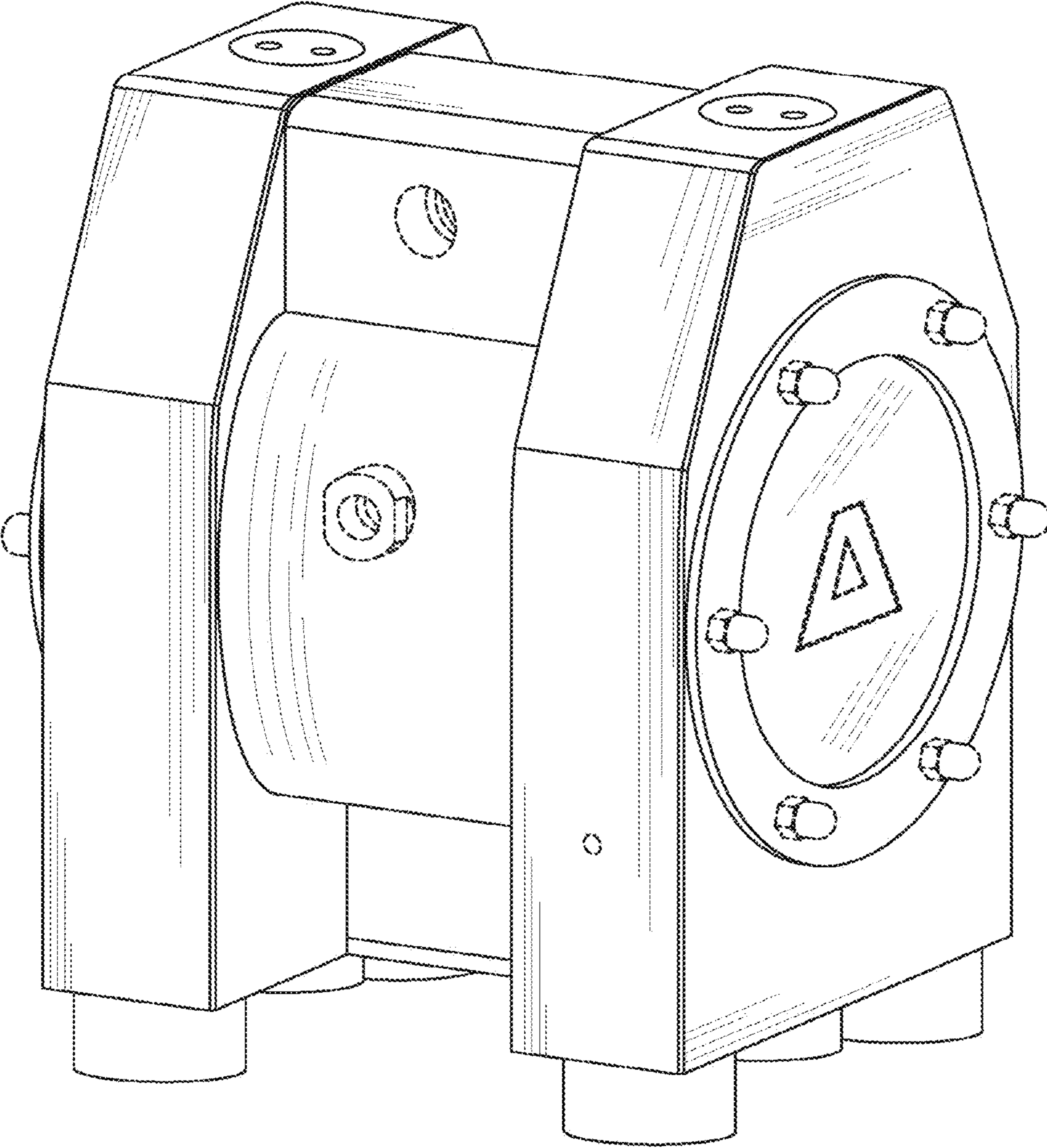


FIG. 1

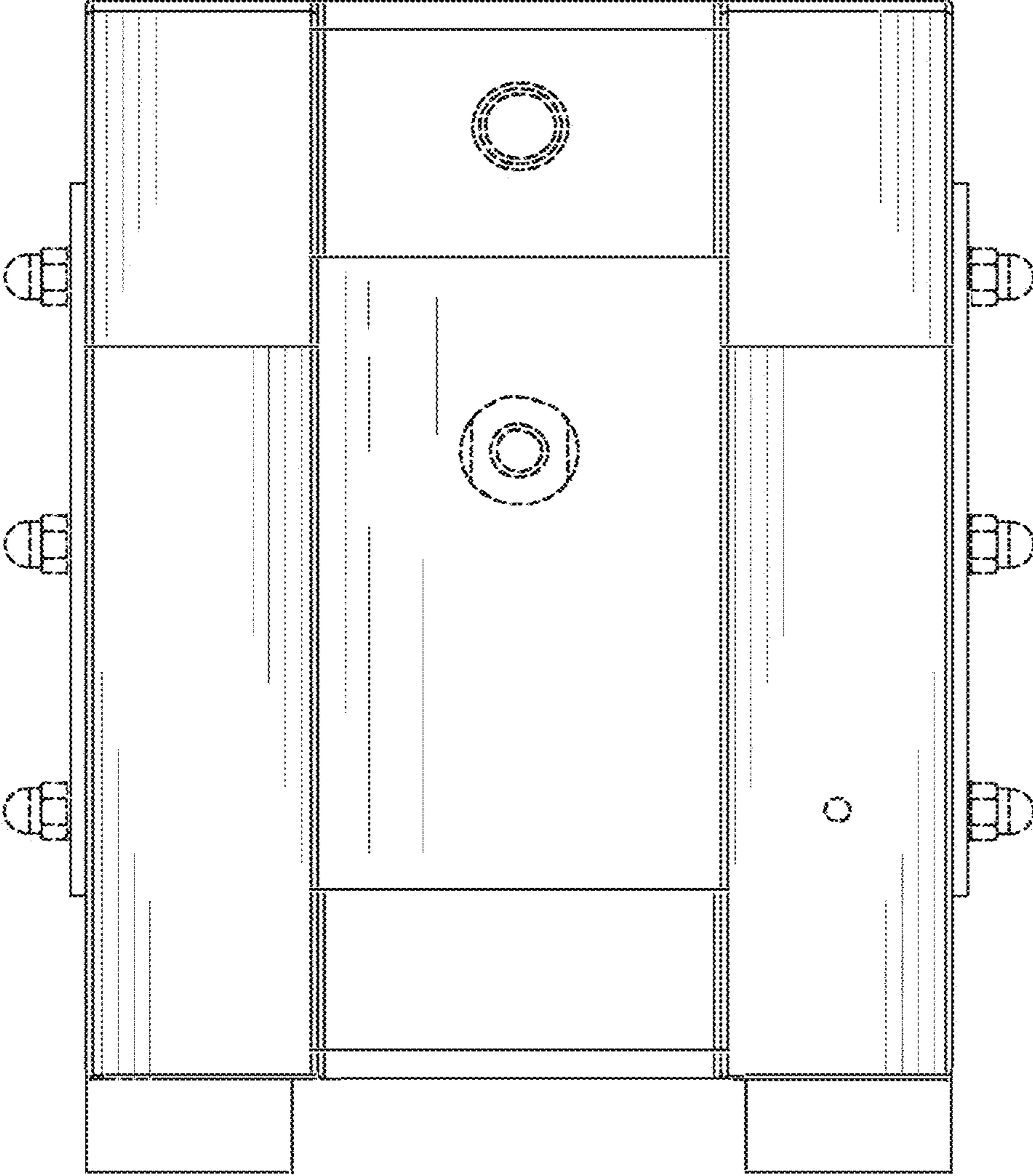


FIG. 2

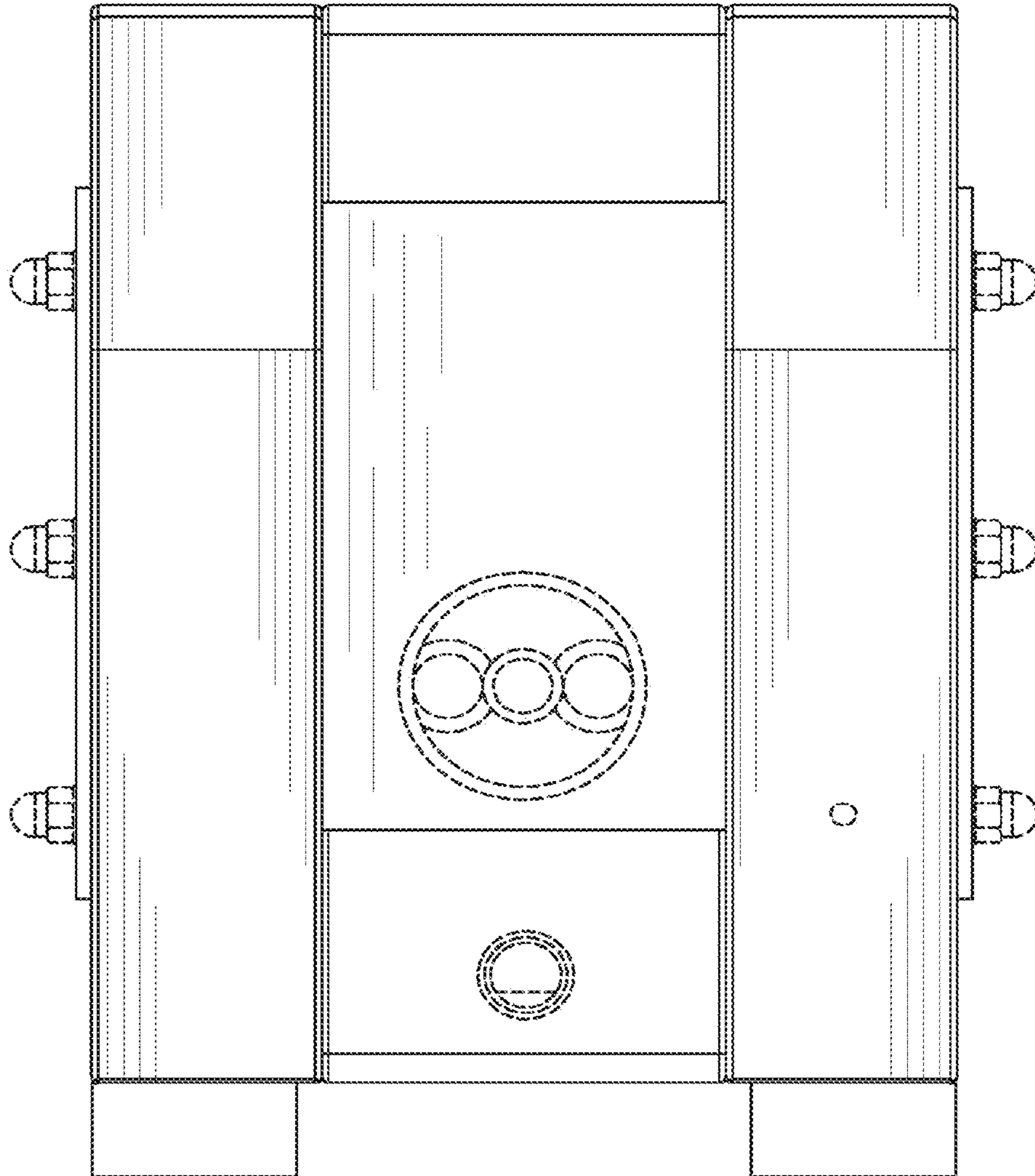


FIG. 3

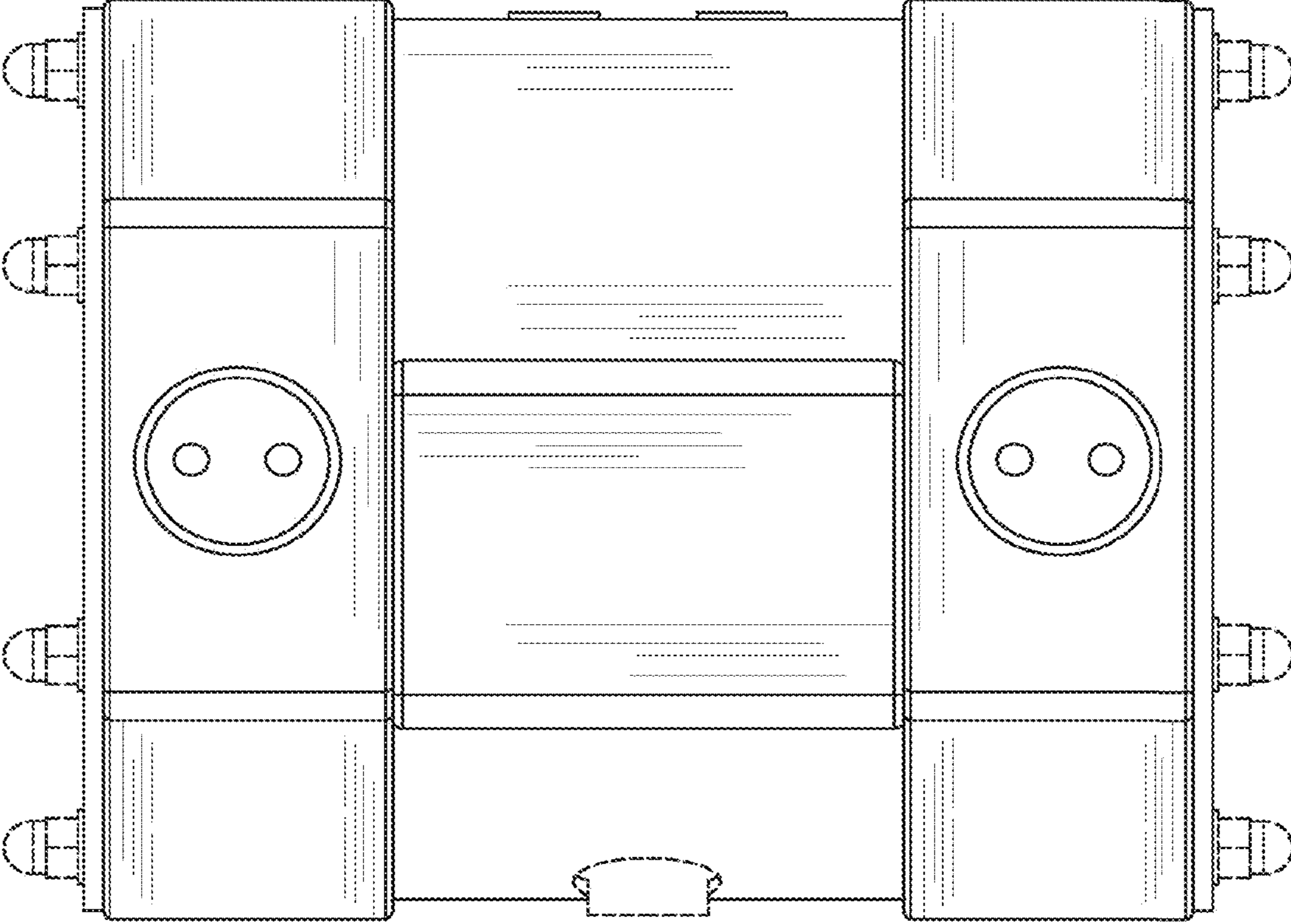


FIG. 4

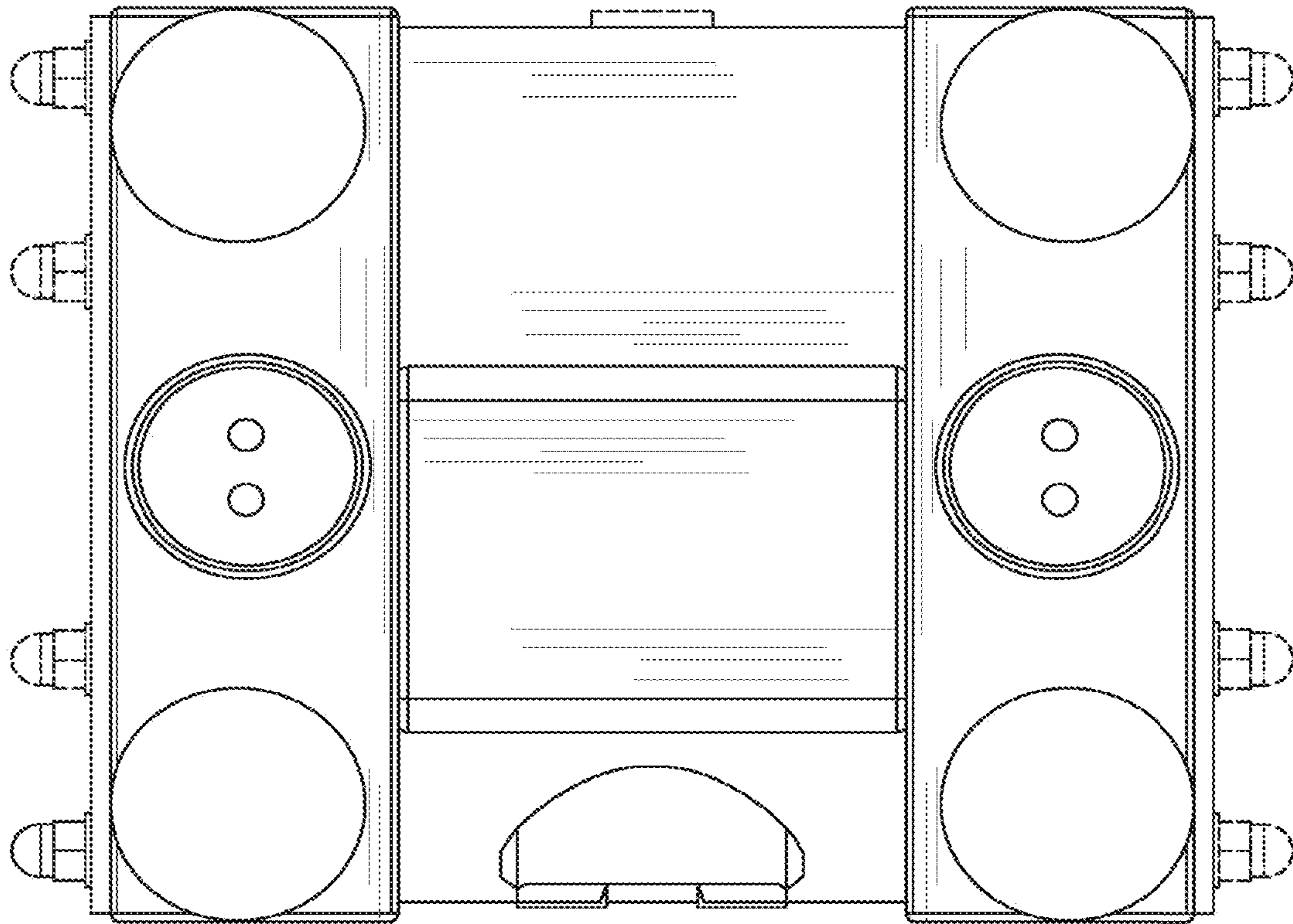


FIG. 5

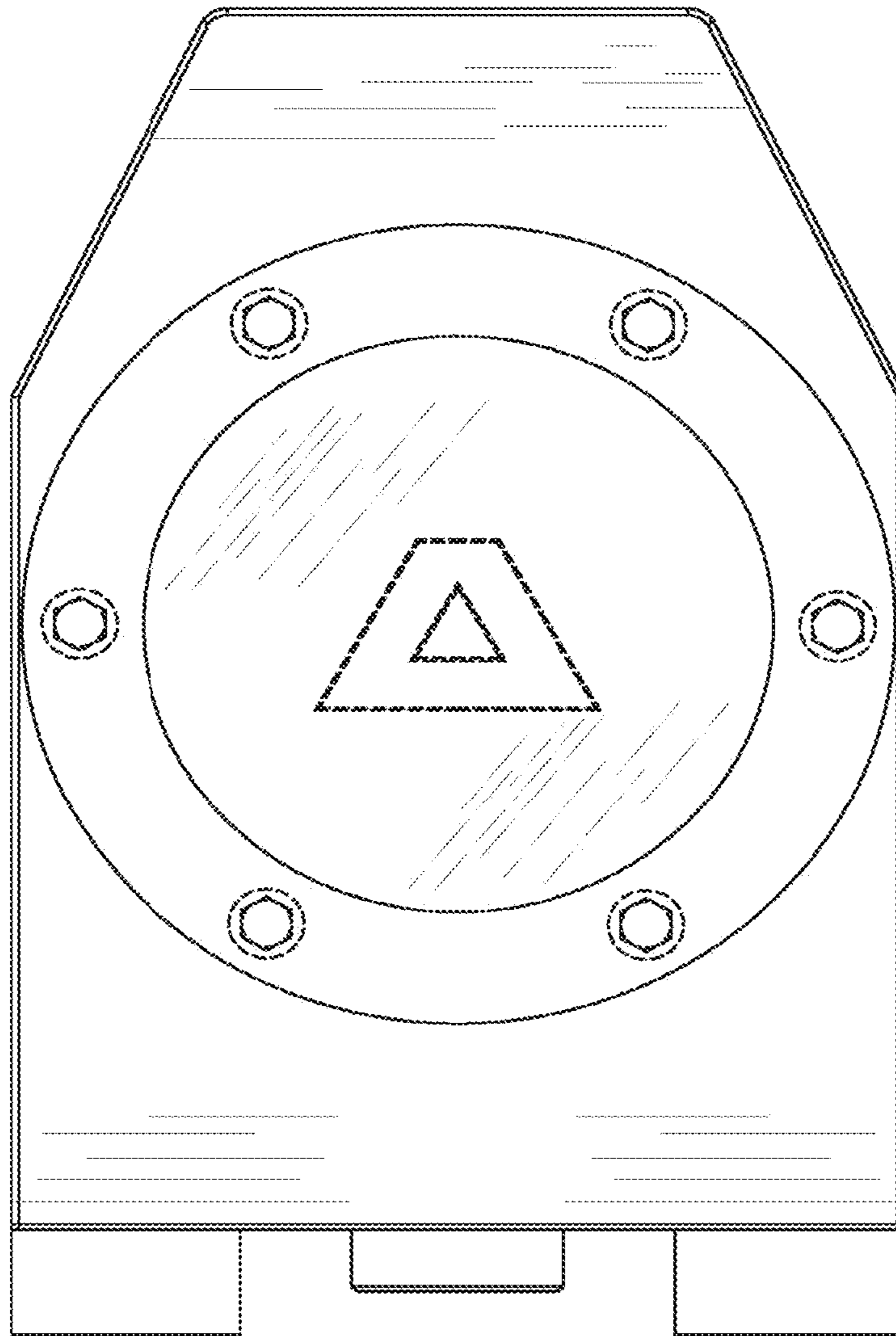


FIG. 6



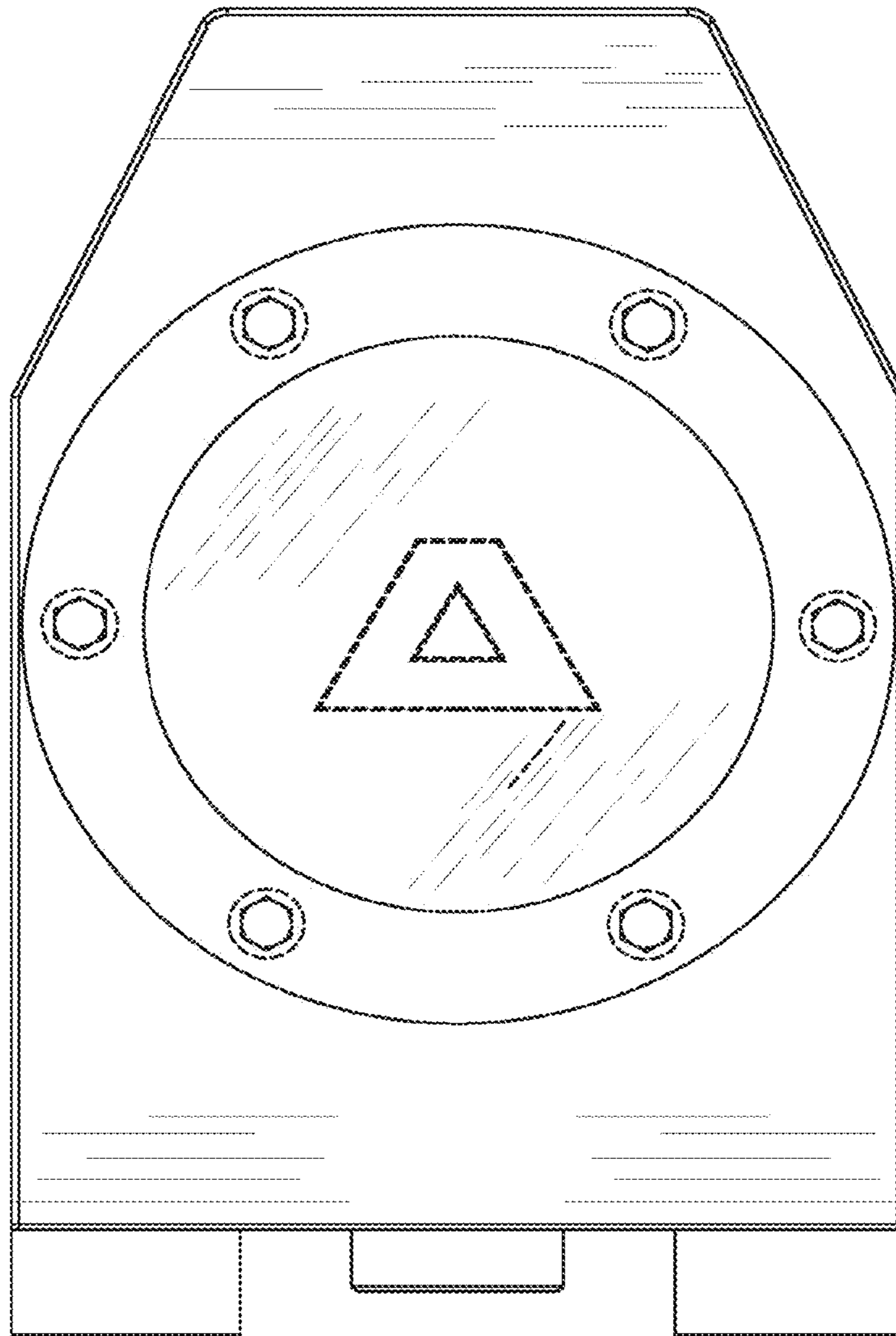


FIG. 7