



US00D941882S

(12) **United States Design Patent**
Ng

(10) **Patent No.:** **US D941,882 S**

(45) **Date of Patent:** **** Jan. 25, 2022**

(54) **HYDRAULIC MANIFOLD PORT PLUG**

(71) Applicant: **Yeow Ng**, Andover, KS (US)

(72) Inventor: **Yeow Ng**, Andover, KS (US)

(**) Term: **15 Years**

(21) Appl. No.: **29/770,545**

(22) Filed: **Feb. 12, 2021**

(51) **LOC (13) Cl.** **15-01**

(52) **U.S. Cl.**
USPC **D15/5**

(58) **Field of Classification Search**
USPC D15/1, 2, 3, 4, 5, 6; D23/233
CPC F16L 55/115; F16L 55/11; F16L 55/105;
F16L 55/1141

See application file for complete search history.

(56) **References Cited**

U.S. PATENT DOCUMENTS

- 5,803,126 A * 9/1998 Zaro F16L 57/005
138/89
- D561,004 S * 2/2008 Bolton D8/343
- D615,182 S * 5/2010 Abe D23/386

- D789,515 S * 6/2017 Salais, Sr. D24/106
- 2008/0011375 A1 * 1/2008 Soubjaki F16L 55/115
138/89
- 2011/0180542 A1 * 7/2011 Drollinger F16J 15/068
220/345.1
- 2014/0175100 A1 * 6/2014 Foresman F16L 55/1141
220/305
- 2017/0030504 A1 * 2/2017 Robillard F16L 55/1141
- 2018/0348799 A1 * 12/2018 Farzaneh F15B 13/0871

* cited by examiner

Primary Examiner — Ania Aman

(74) *Attorney, Agent, or Firm* — Kenneth H. Jack; Davis & Jack, L.L.C.

(57) **CLAIM**

An ornamental design for a hydraulic manifold port plug, as shown.

DESCRIPTION

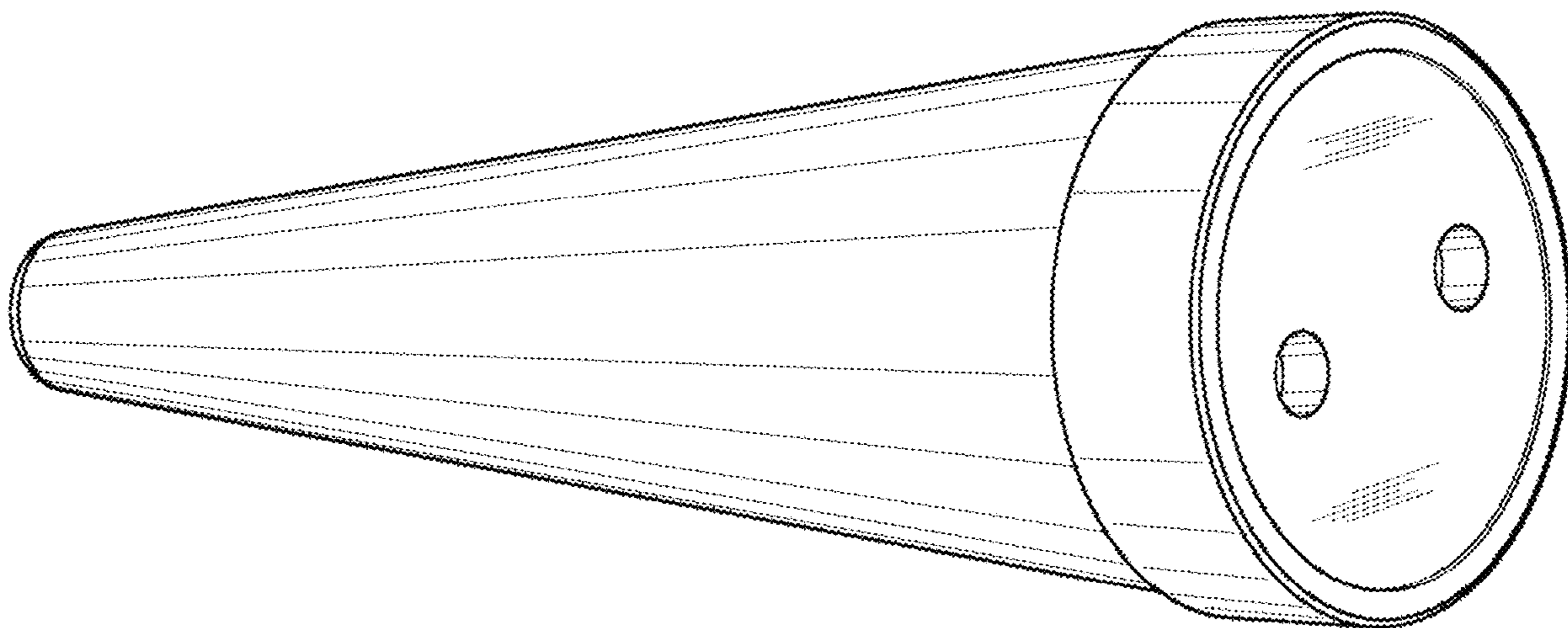
FIG. 1 is a perspective view of the hydraulic manifold port plug.

FIG. 2 is a side view of the plug of FIG. 1.

FIG. 3 is an alternative perspective view of the plug of FIG. 1; and,

FIG. 4 is an end view of the plug of FIG. 1.

1 Claim, 4 Drawing Sheets



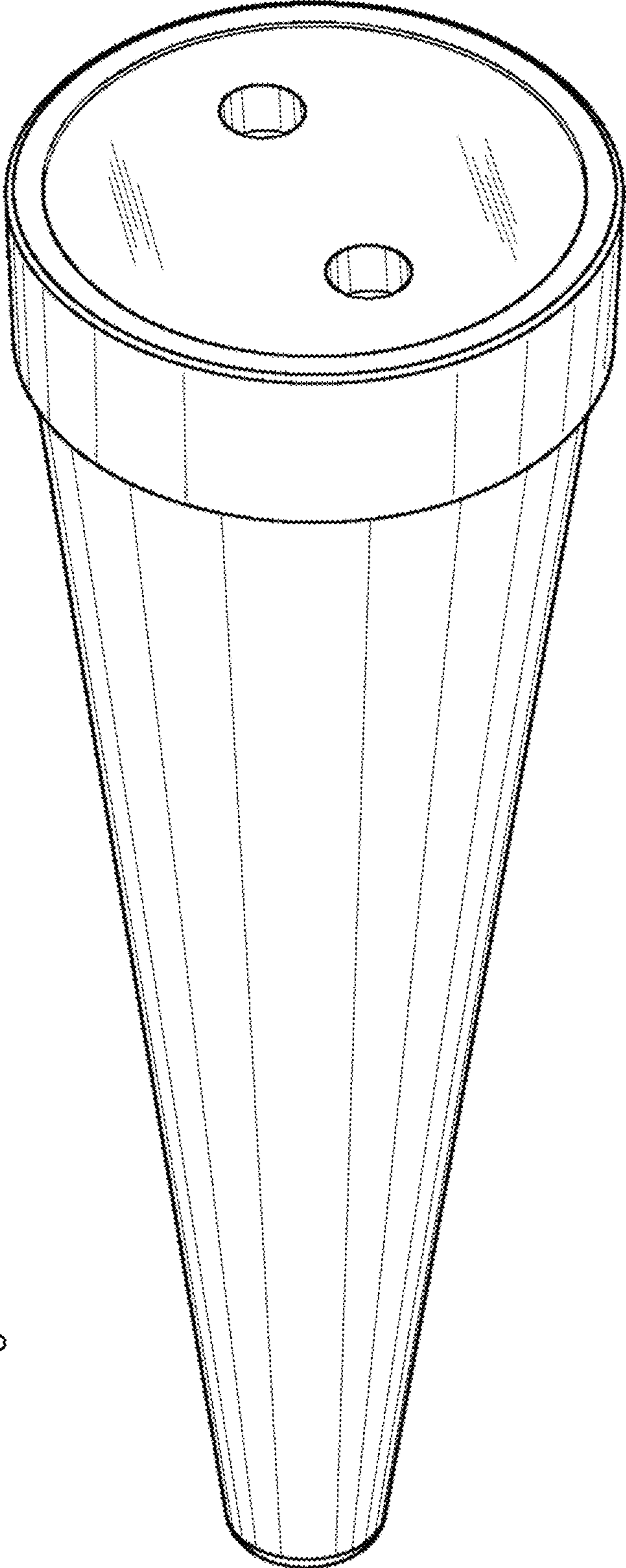


Fig. 1

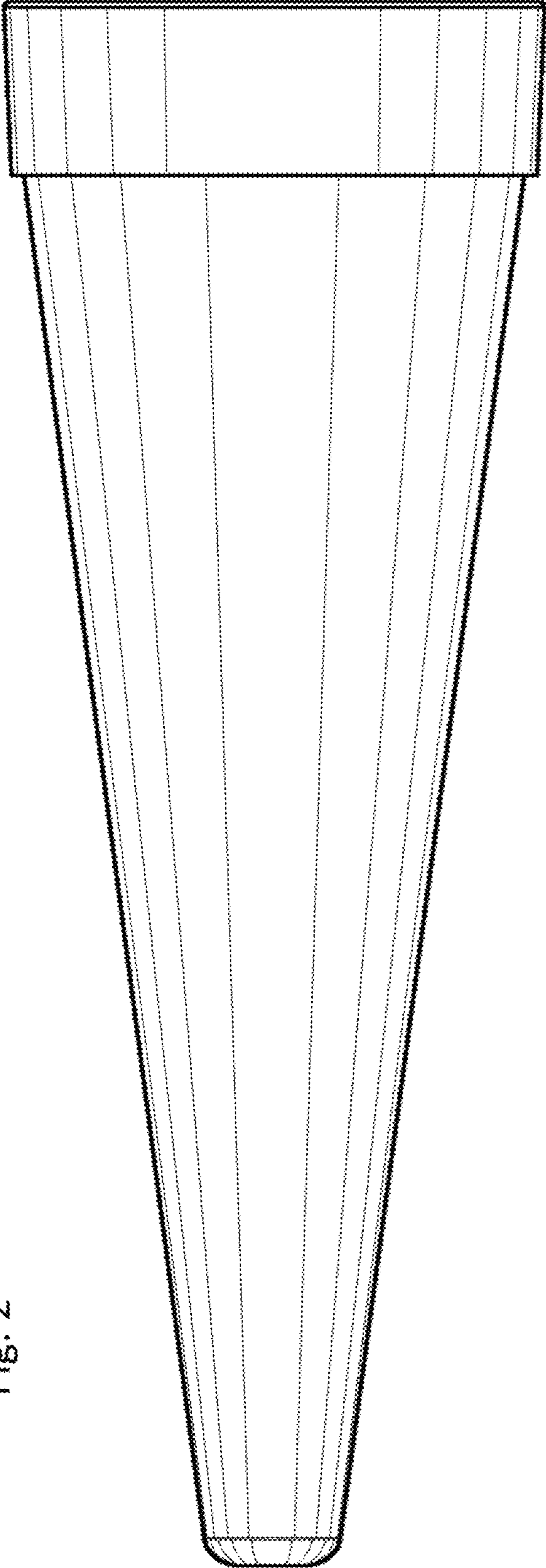


Fig. 2

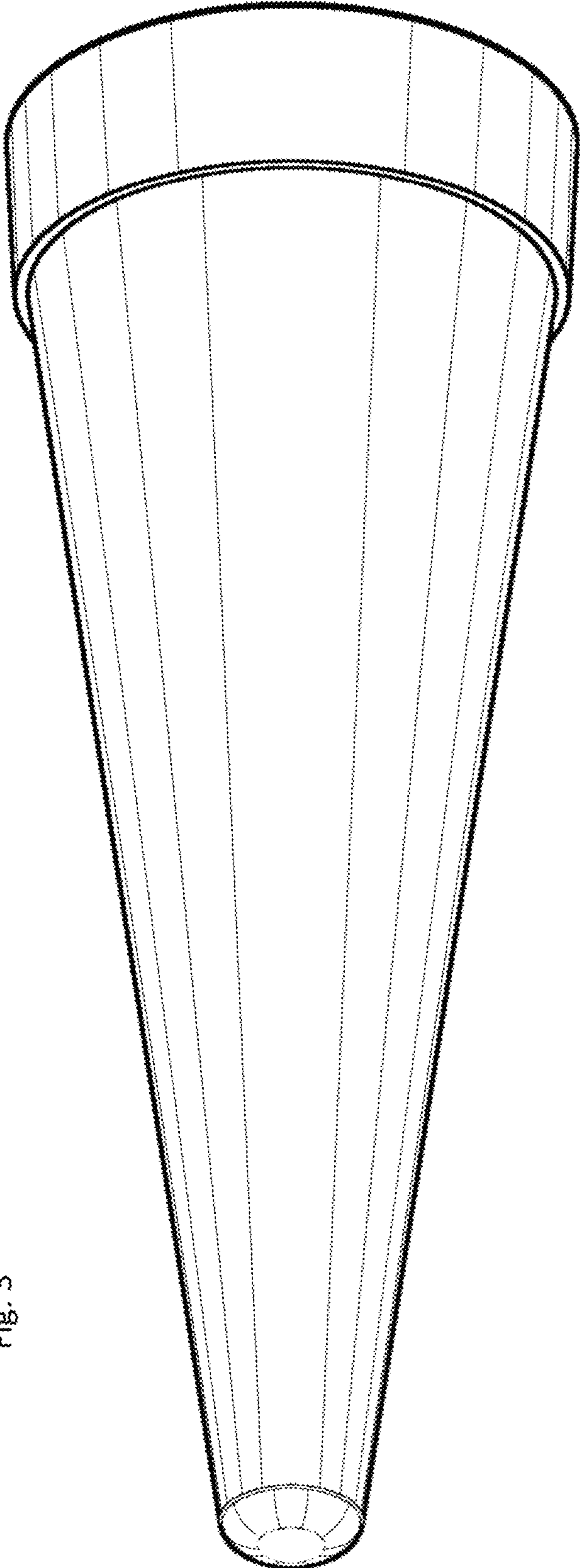


Fig. 3

Fig. 4

