



US00D941881S

(12) **United States Design Patent**  
**Molesini et al.**

(10) **Patent No.:** **US D941,881 S**

(45) **Date of Patent:** **\*\* Jan. 25, 2022**

(54) **MOTOR**

D713,338 S \* 9/2014 Lannoch ..... D13/112  
D768,078 S \* 10/2016 Wu ..... D13/112

(71) Applicant: **Fpt Industrial S.P.A.**, Turin (IT)

\* cited by examiner

(72) Inventors: **Simone Molesini**, Carpi (IT); **Jakub Maria Sulikowski**, Modena (IT)

*Primary Examiner* — Ania Aman

(74) *Attorney, Agent, or Firm* — The Sladkus Law Group

(73) Assignee: **Fpt Industrial S.P.A.**, Turin (IT)

(\*\*) Term: **15 Years**

(57) **CLAIM**

(21) Appl. No.: **29/692,298**

The ornamental design for a motor, as shown and described.

(22) Filed: **May 23, 2019**

**DESCRIPTION**

(30) **Foreign Application Priority Data**

Nov. 23, 2018 (EM) ..... 005832805-0006

(51) **LOC (13) Cl.** ..... **15-01**

(52) **U.S. Cl.**  
USPC ..... **D15/5**

(58) **Field of Classification Search**  
USPC ..... D13/112, 113, 114, 122, 184, 199;  
D15/5, 1, 28  
CPC ..... H02K 5/06; H02K 5/225; H02K 11/33;  
H02K 9/14  
See application file for complete search history.

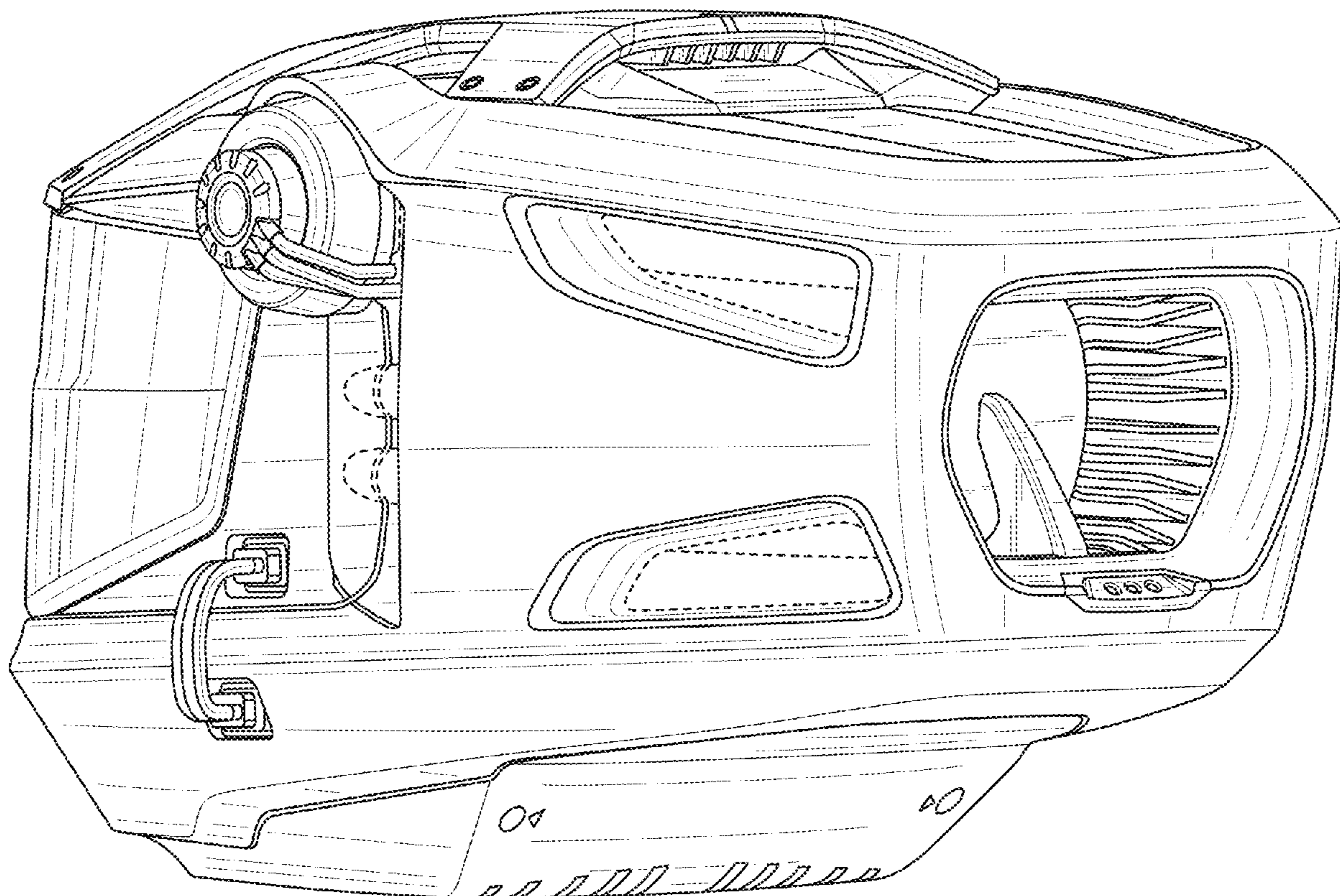
FIG. 1 is a front right perspective view of a motor showing our new design;  
FIG. 2 is a right side elevational view of the motor of FIG. 1;  
FIG. 3 is a rear elevational view of the motor of FIG. 1;  
FIG. 4 is a back right perspective view of the motor of FIG. 1;  
FIG. 5 is a back left perspective view of the motor of FIG. 1;  
FIG. 6 is a top plan view of the motor of FIG. 1;  
FIG. 7 is a bottom plan view of the motor of FIG. 1; and,  
FIG. 8 is a front elevational view of the motor of FIG. 1.  
The broken lines shown in FIGS. 1-6 and 8 are for the purpose of illustrating environmental structure and form no part of the claimed design.

(56) **References Cited**

**U.S. PATENT DOCUMENTS**

D648,352 S \* 11/2011 Hsiao ..... D15/7

**1 Claim, 8 Drawing Sheets**



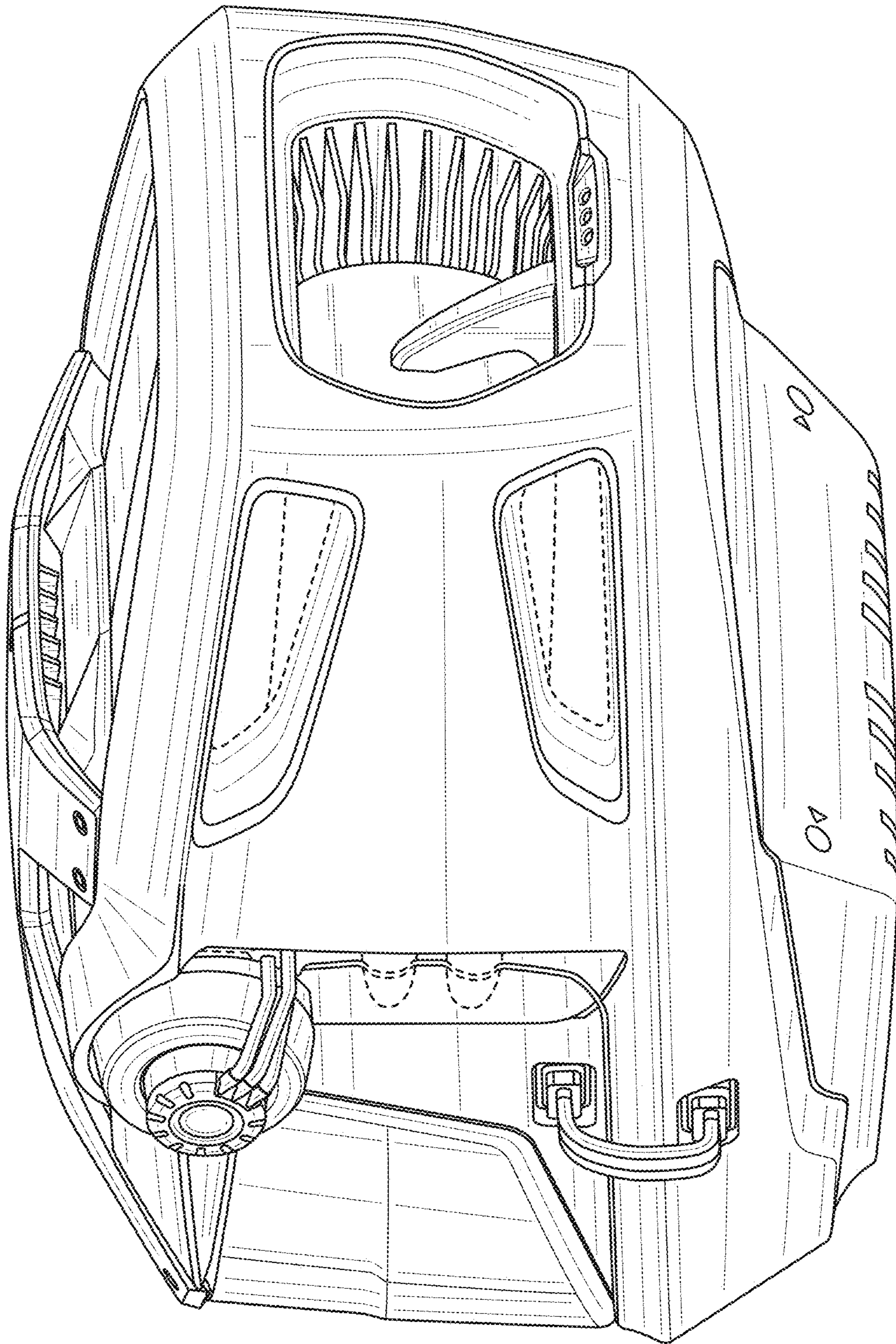


FIG. 1

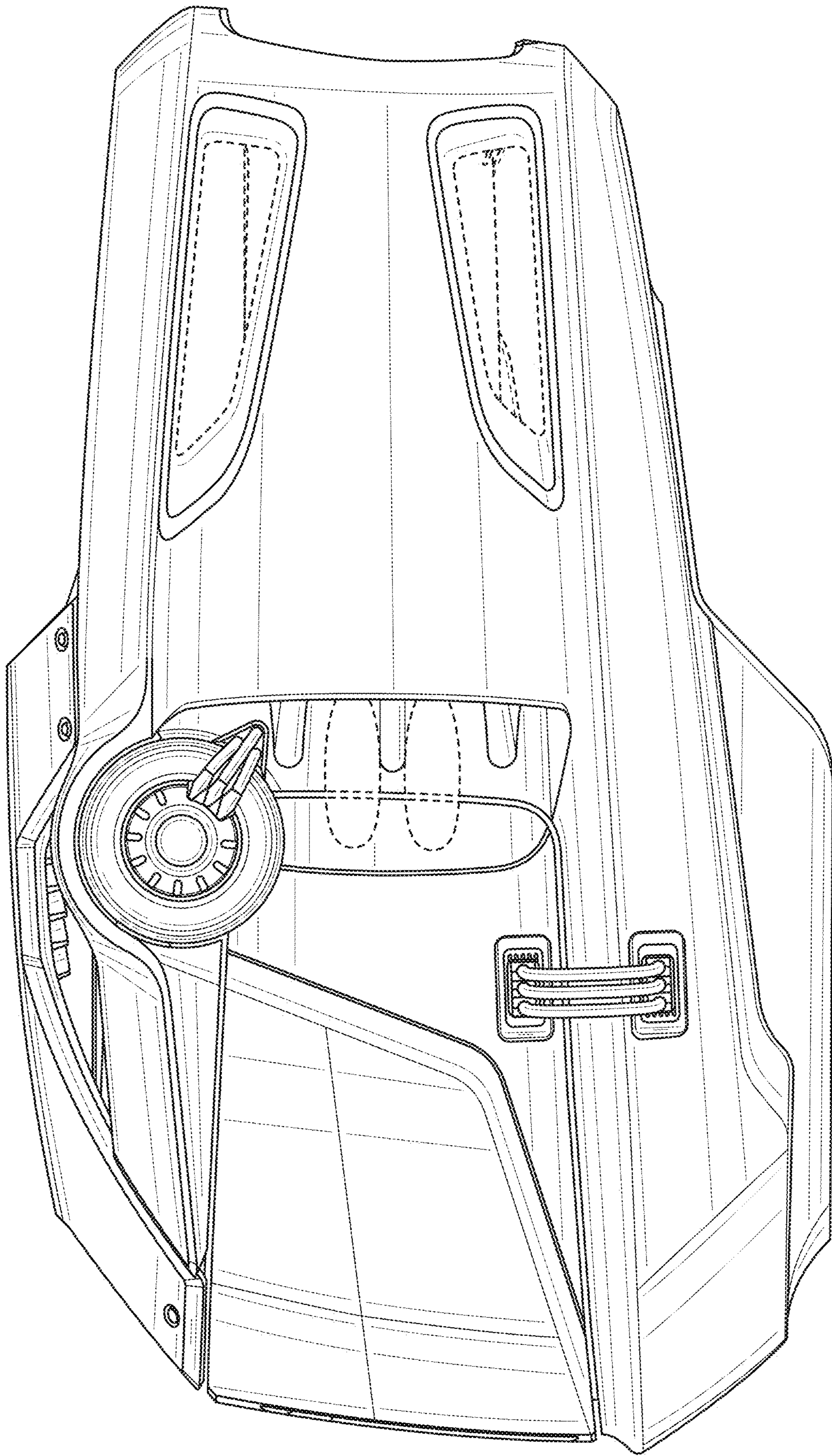


FIG. 2

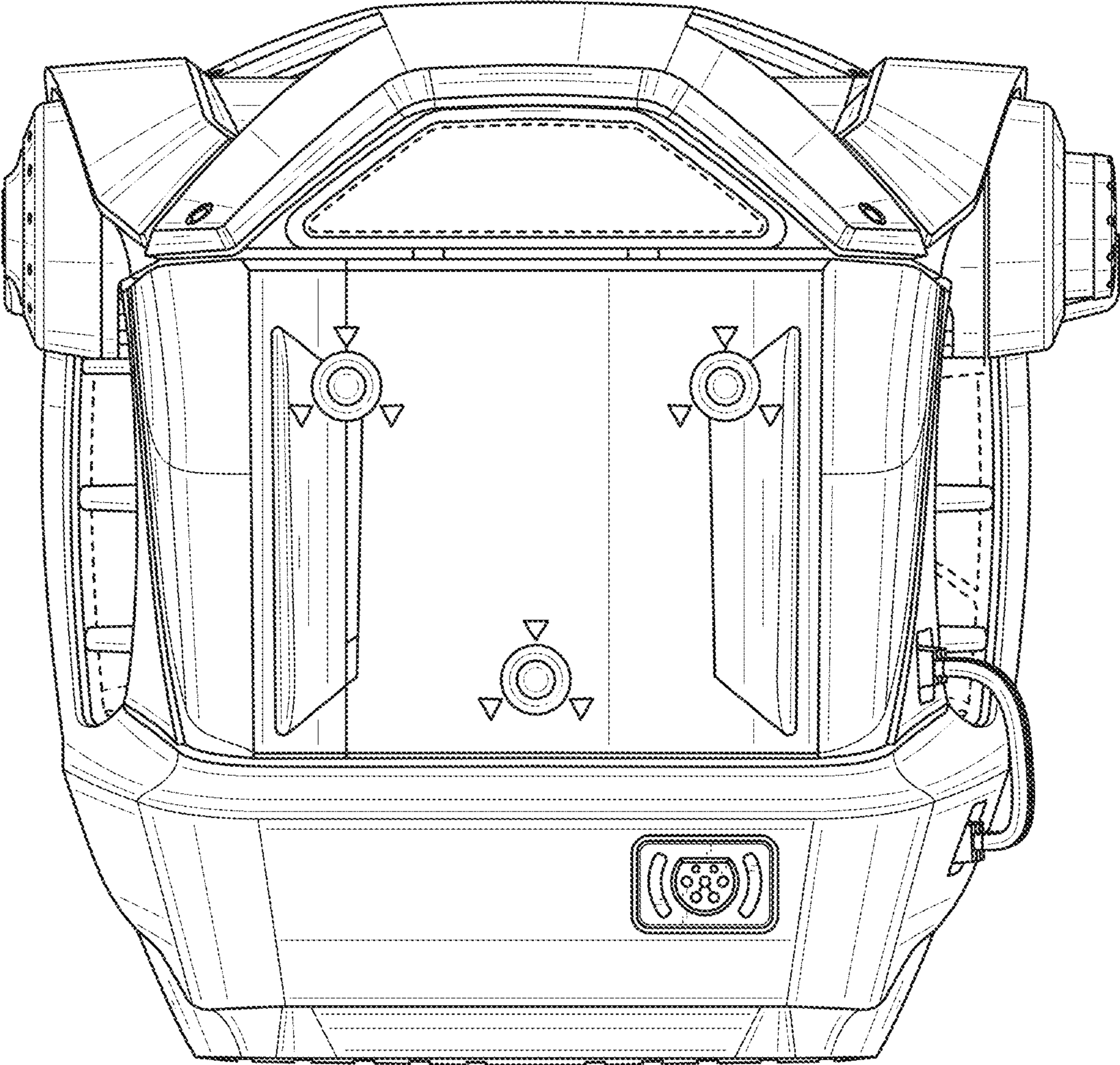


FIG. 3



FIG. 4

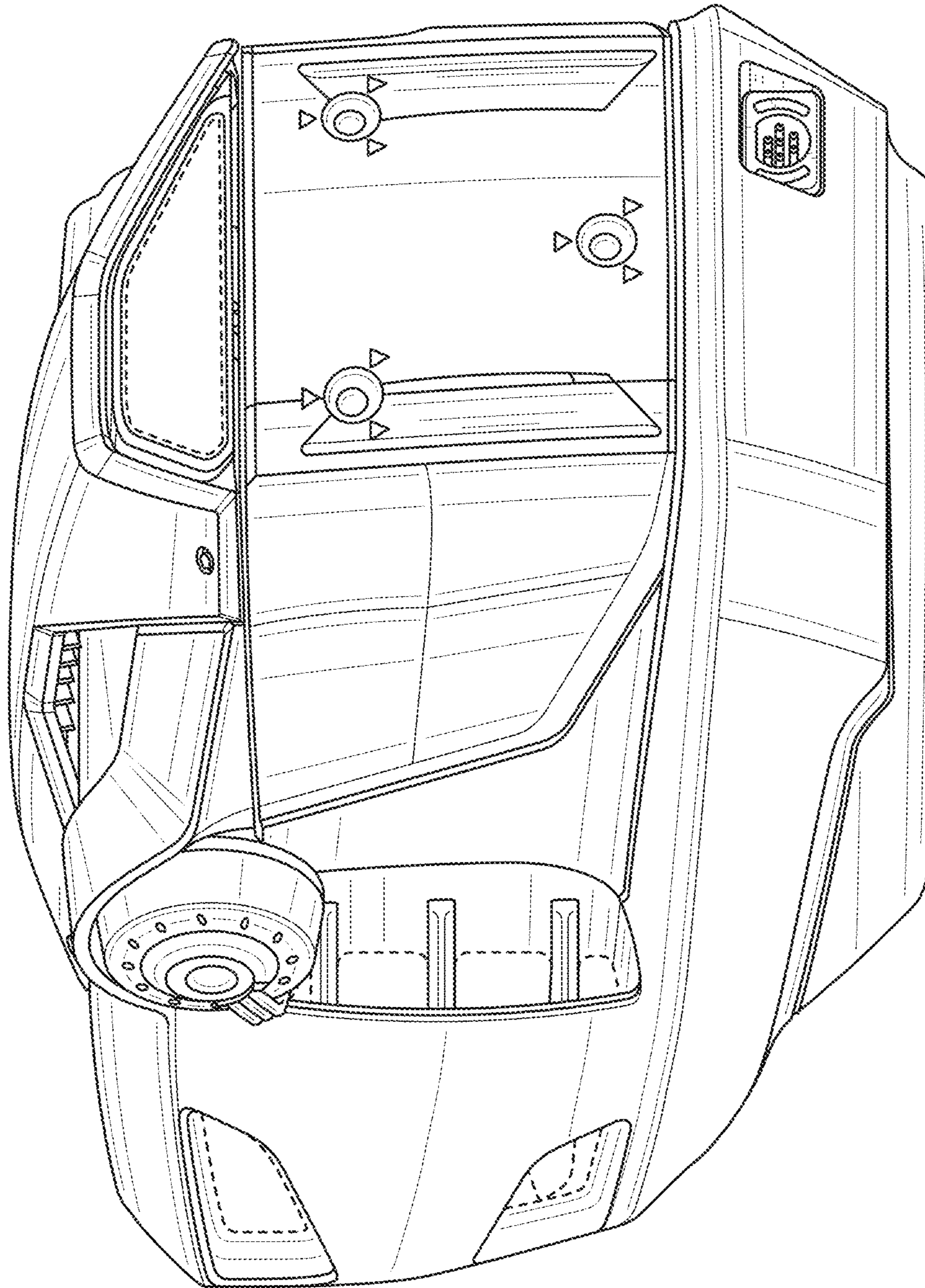


FIG. 5

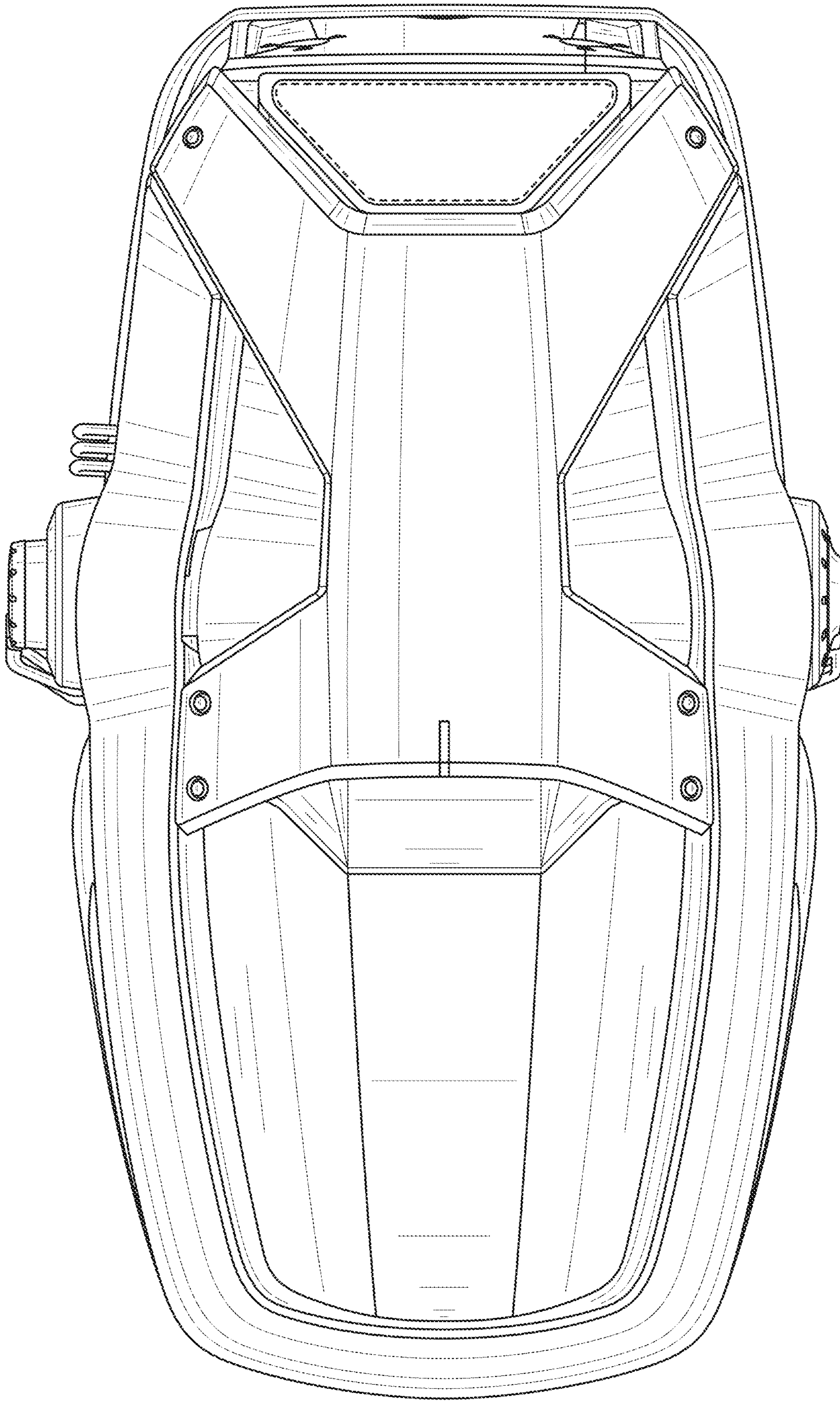


FIG. 6

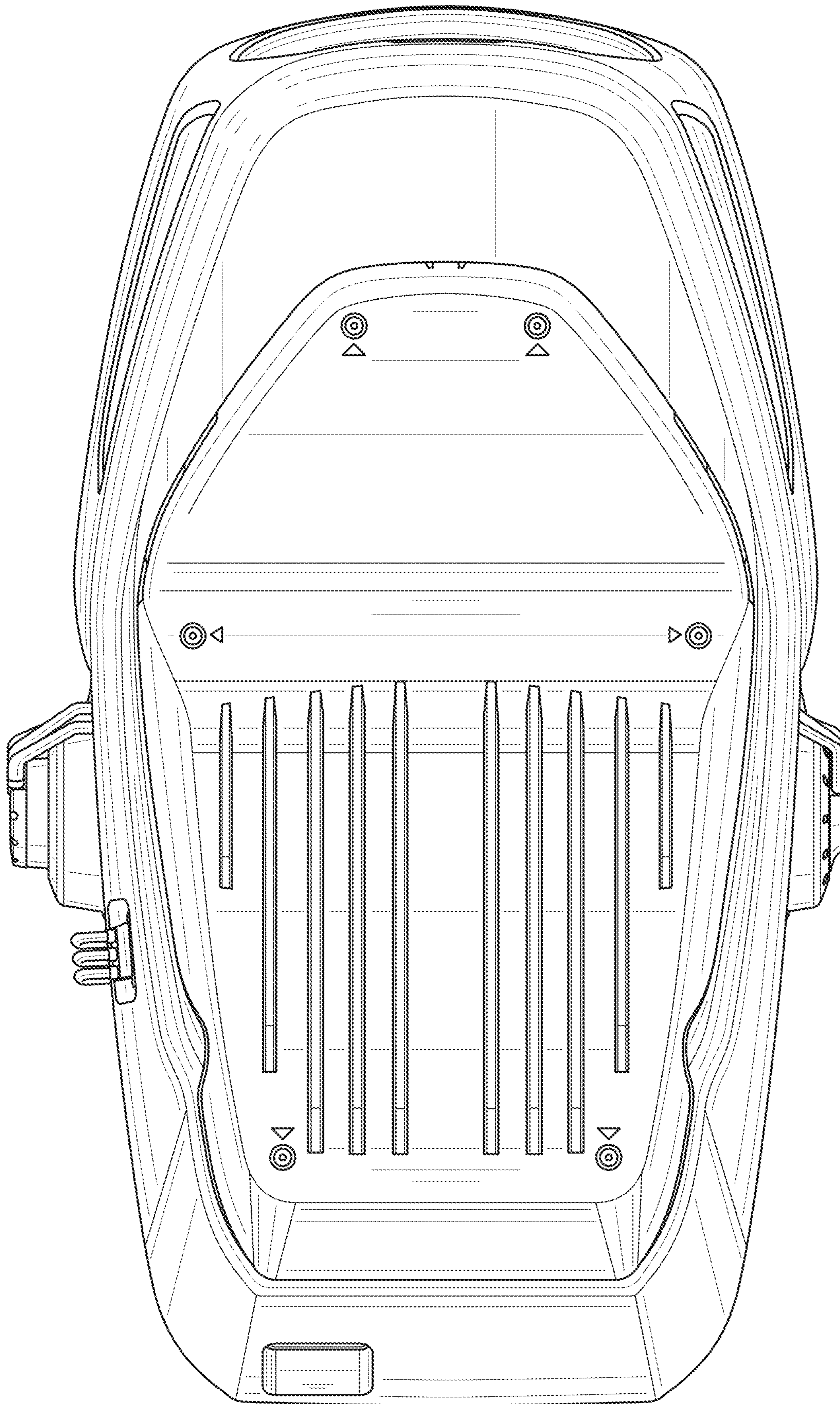


FIG. 7



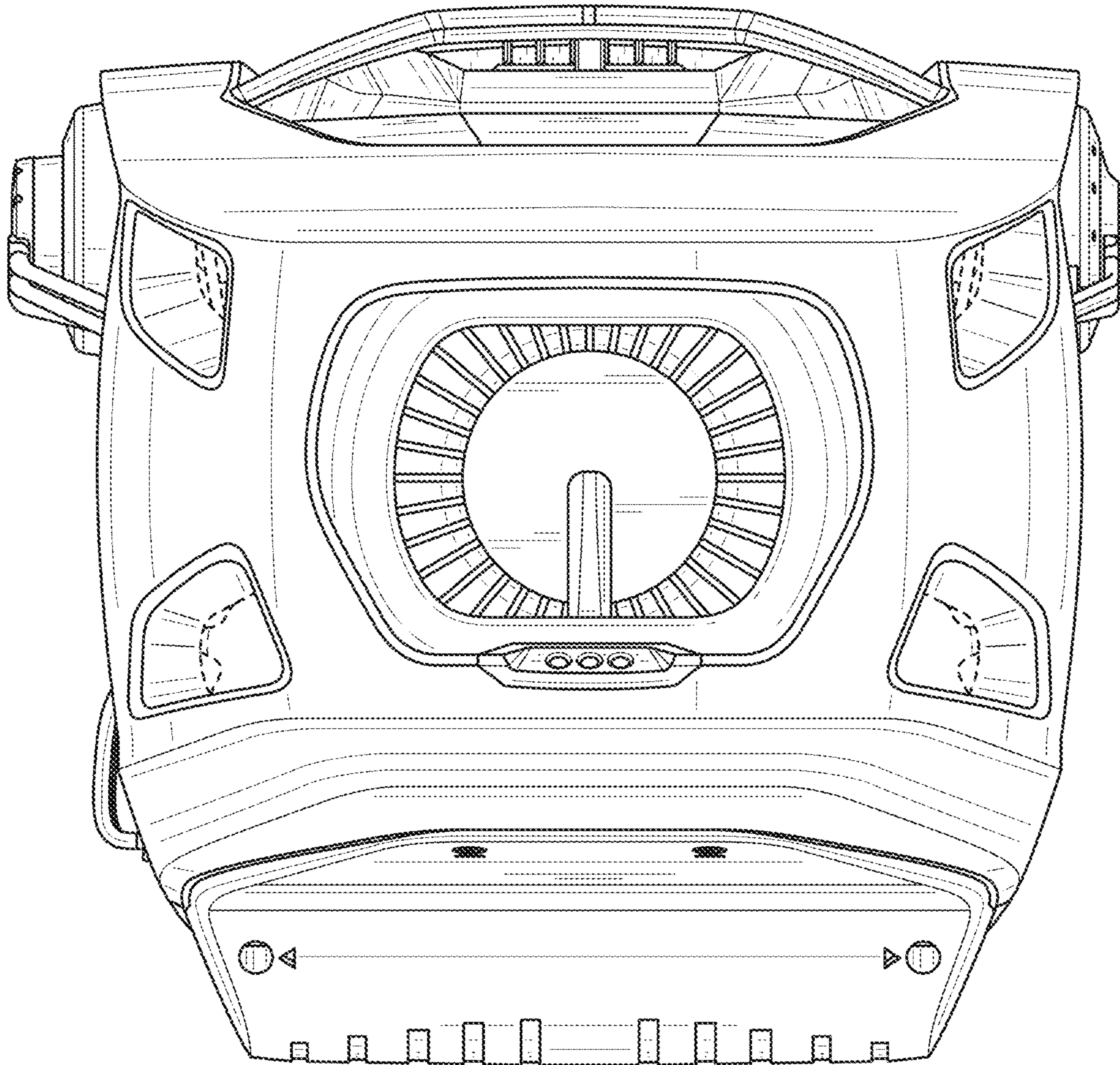


FIG. 8