



US00D941880S

(12) **United States Design Patent** (10) **Patent No.:** **US D941,880 S**
Pratley et al. (45) **Date of Patent:** **** Jan. 25, 2022**

(54) **DIFFERENTIAL CASE**
(71) Applicant: **Eaton Intelligent Power Limited**,
Dublin (IE)
(72) Inventors: **Mark Harold Pratley**, Marshall, MI
(US); **Chad Hillman**, Ceresco, MI (US)
(73) Assignee: **Eaton Intelligent Power Limited**,
Dublin (IE)
(**) Term: **15 Years**
(21) Appl. No.: **29/634,237**
(22) Filed: **Jan. 19, 2018**
(51) **LOC (13) Cl.** **15-01**
(52) **U.S. Cl.**
USPC **D15/5**
(58) **Field of Classification Search**
USPC D15/1-6, 9, 7, 148, 149
CPC F16H 48/00; F16H 48/38; F16H 2048/382;
F16H 48/40; F16H 2048/387; F16H
48/22; F16H 48/08; F16H 48/32
See application file for complete search history.

(56) **References Cited**

U.S. PATENT DOCUMENTS

3,331,262 A * 7/1967 Mazziotti F16H 48/22
475/235
3,362,258 A 1/1968 Thornton
3,628,399 A 12/1971 Seitz et al.
3,837,236 A 9/1974 Kagata
3,893,351 A 7/1975 Baremor
4,290,321 A 9/1981 Wilson
5,273,498 A 12/1993 Dhillon et al.
6,053,838 A * 4/2000 Gage F16H 48/285
475/248
6,254,505 B1 7/2001 Forrest
6,715,536 B1 4/2004 Jensen
6,889,742 B1 5/2005 Jensen et al.
7,022,041 B2 4/2006 Valente

7,361,116 B2 4/2008 Kyle et al.
7,438,661 B2 10/2008 Kyle et al.
8,167,763 B2 5/2012 Curtis
8,591,373 B2 11/2013 Shibagaki
D711,445 S 8/2014 Creager et al.
9,127,760 B1 9/2015 Potter et al.
9,657,827 B2 * 5/2017 Gopal F16H 48/24
D816,121 S 4/2018 Fox
10,337,598 B2 * 7/2019 Bongard F16H 57/0457
D900,874 S 11/2020 Hillman et al.
D909,414 S * 2/2021 Hillman D15/5
2005/0070394 A1 3/2005 Sugeta et al.
2005/0215378 A1 * 9/2005 Peter F16H 48/22
475/230
2006/0052202 A1 * 3/2006 Morgensai F16H 48/22
475/84
2007/0095167 A1 5/2007 Nakajima
(Continued)

FOREIGN PATENT DOCUMENTS

WO 20150060890 A1 4/2015
Primary Examiner — Ania Aman
(74) *Attorney, Agent, or Firm* — Mei & Mark, LLP

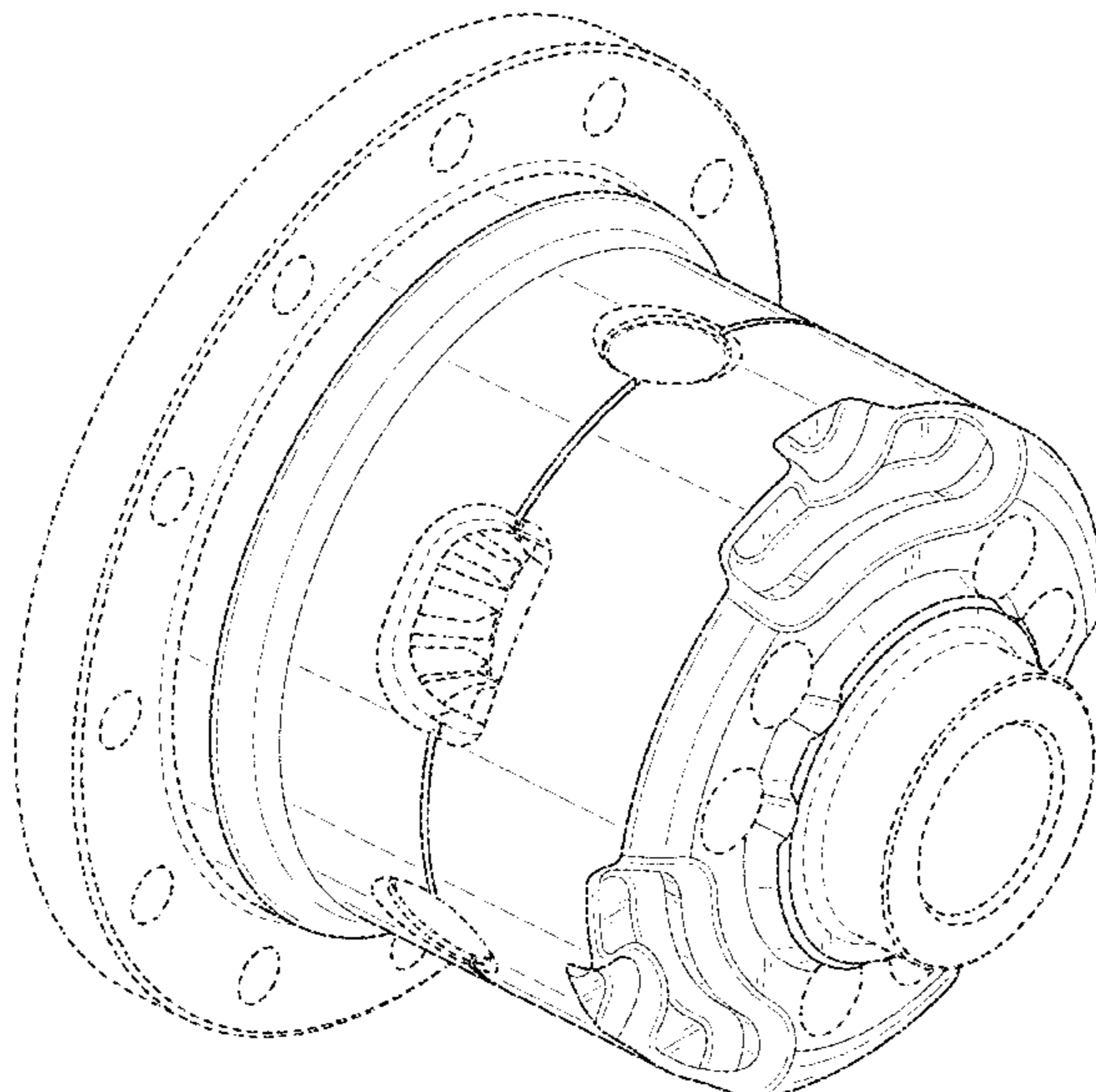
(57) **CLAIM**

The ornamental design for a differential case, as shown and described.

DESCRIPTION

FIG. 1 is a front perspective view of a differential case.
FIG. 2 is a rear perspective view of the differential case.
FIG. 3 is a front view of the differential case.
FIG. 4 is a rear view of the differential case.
FIG. 5 is a left side view of the differential case.
FIG. 6 is a right side view of the differential case.
FIG. 7 is a top view of the differential case; and,
FIG. 8 is a bottom view of the differential case.
The broken lines showing portions of the differential case form no part of the claimed design.

1 Claim, 8 Drawing Sheets



(56)

References Cited

U.S. PATENT DOCUMENTS

2007/0259750 A1* 11/2007 Kramer F16H 48/08
475/221

2008/0042791 A1 2/2008 York et al.

2008/0242469 A1* 10/2008 Jenski F16H 48/30
475/231

2008/0254930 A1 10/2008 Fujii et al.

2010/0184552 A1 7/2010 Soybel et al.

2010/0317480 A1 12/2010 Cochren et al.

2014/0141921 A1 5/2014 Fox et al.

2014/0179481 A1 6/2014 Fox et al.

2014/0262668 A1* 9/2014 Creager F16D 13/56
192/48.8

2015/0111684 A1 4/2015 Fox

2015/0204431 A1 7/2015 Cochren et al.

2015/0292611 A1* 10/2015 Miyamoto F16H 48/24
475/84

2015/0330494 A1* 11/2015 Kluck F16H 57/082
475/230

2016/0025201 A1* 1/2016 Wrona F16H 48/22
475/220

2016/0025202 A1 1/2016 Okazaki

2016/0153536 A1 6/2016 Fisher

2016/0160983 A1 6/2016 Yanase et al.

2017/0122423 A1 5/2017 Bongard et al.

2017/0350490 A1 12/2017 Sudou

2018/0038475 A1* 2/2018 Nadayoshi F16H 57/043

2018/0149252 A1 5/2018 Roberts

2019/0226566 A1 7/2019 Hillman et al.

* cited by examiner

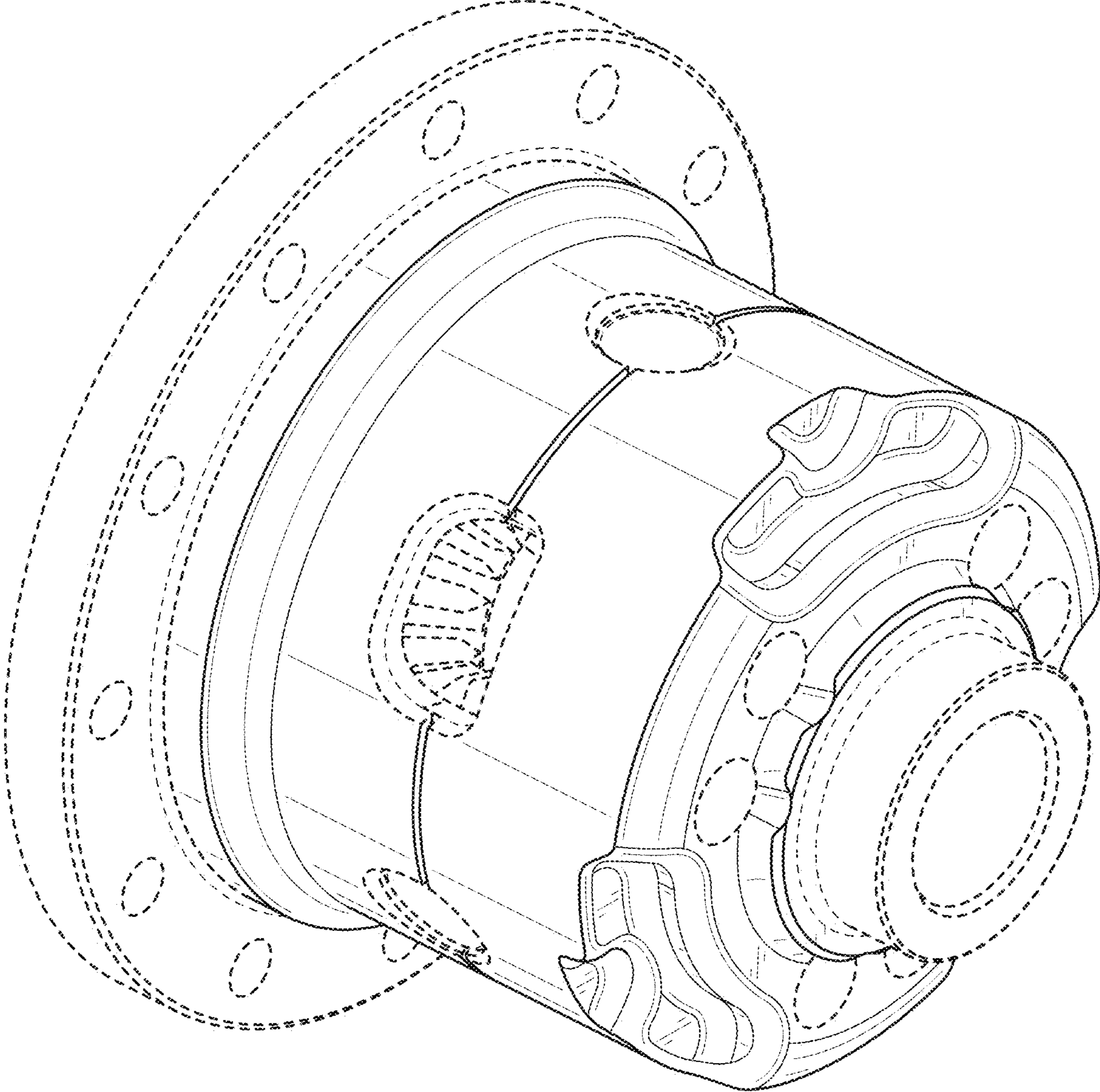


FIG. 1

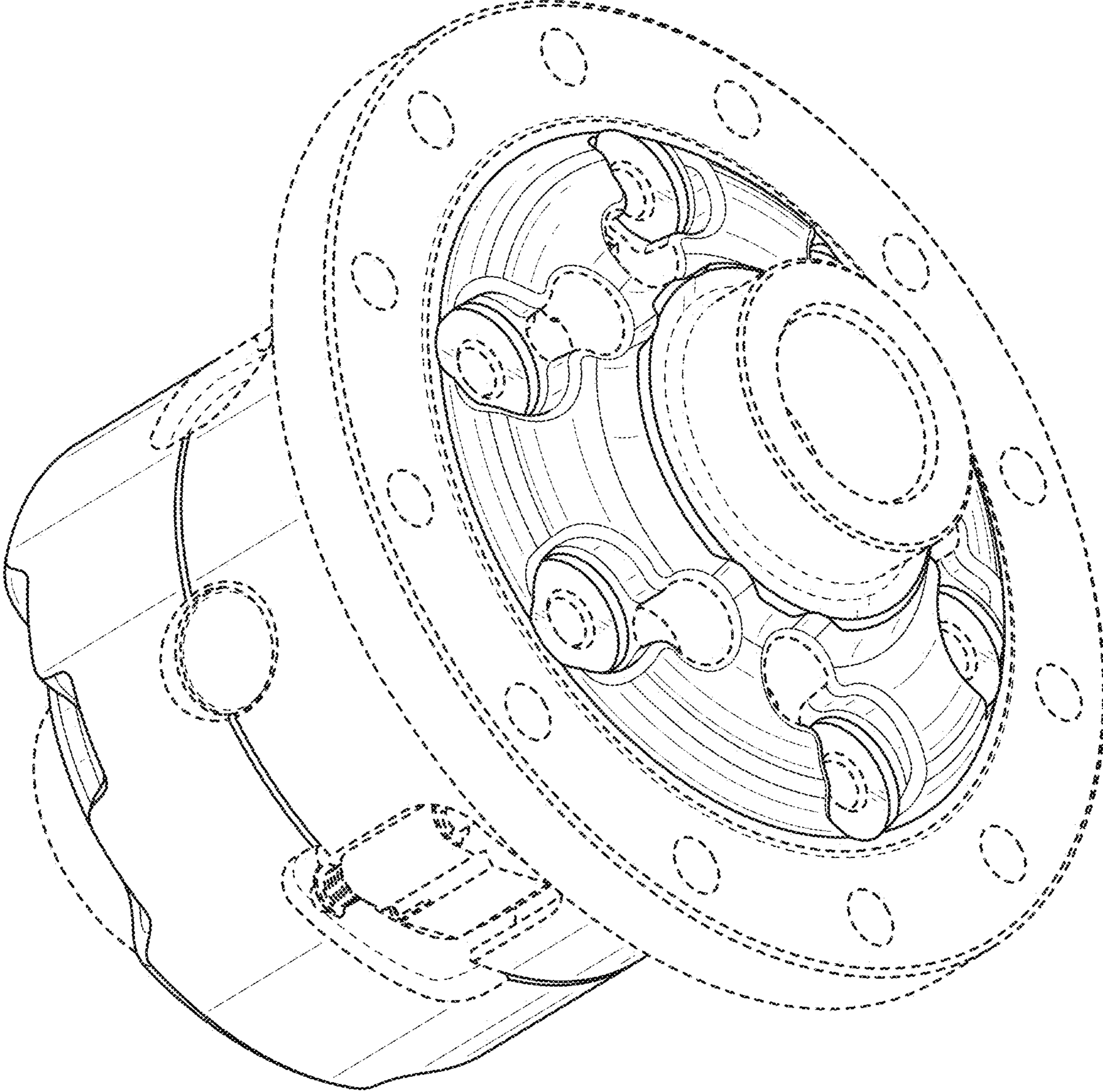


FIG. 2

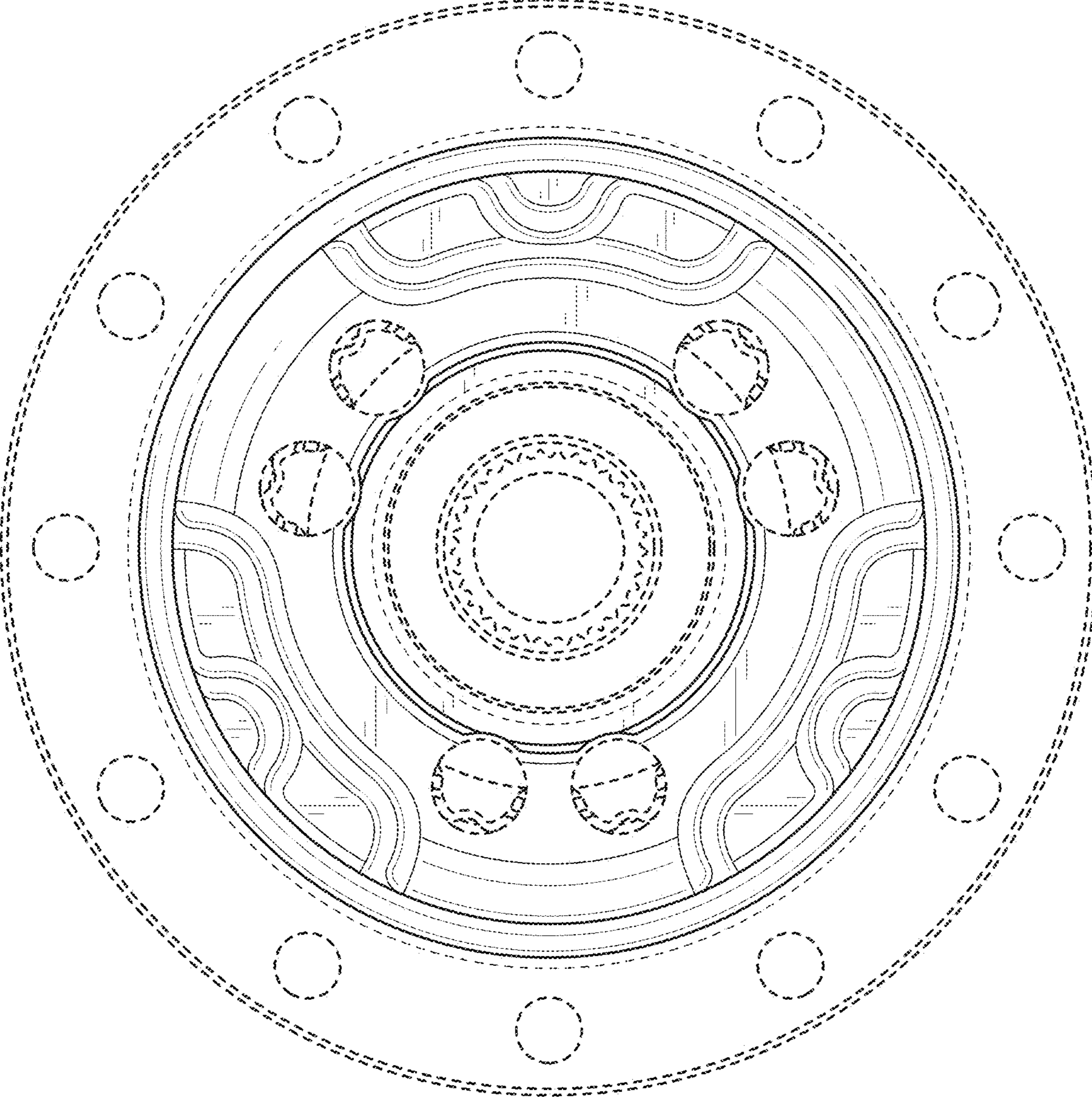


FIG. 3

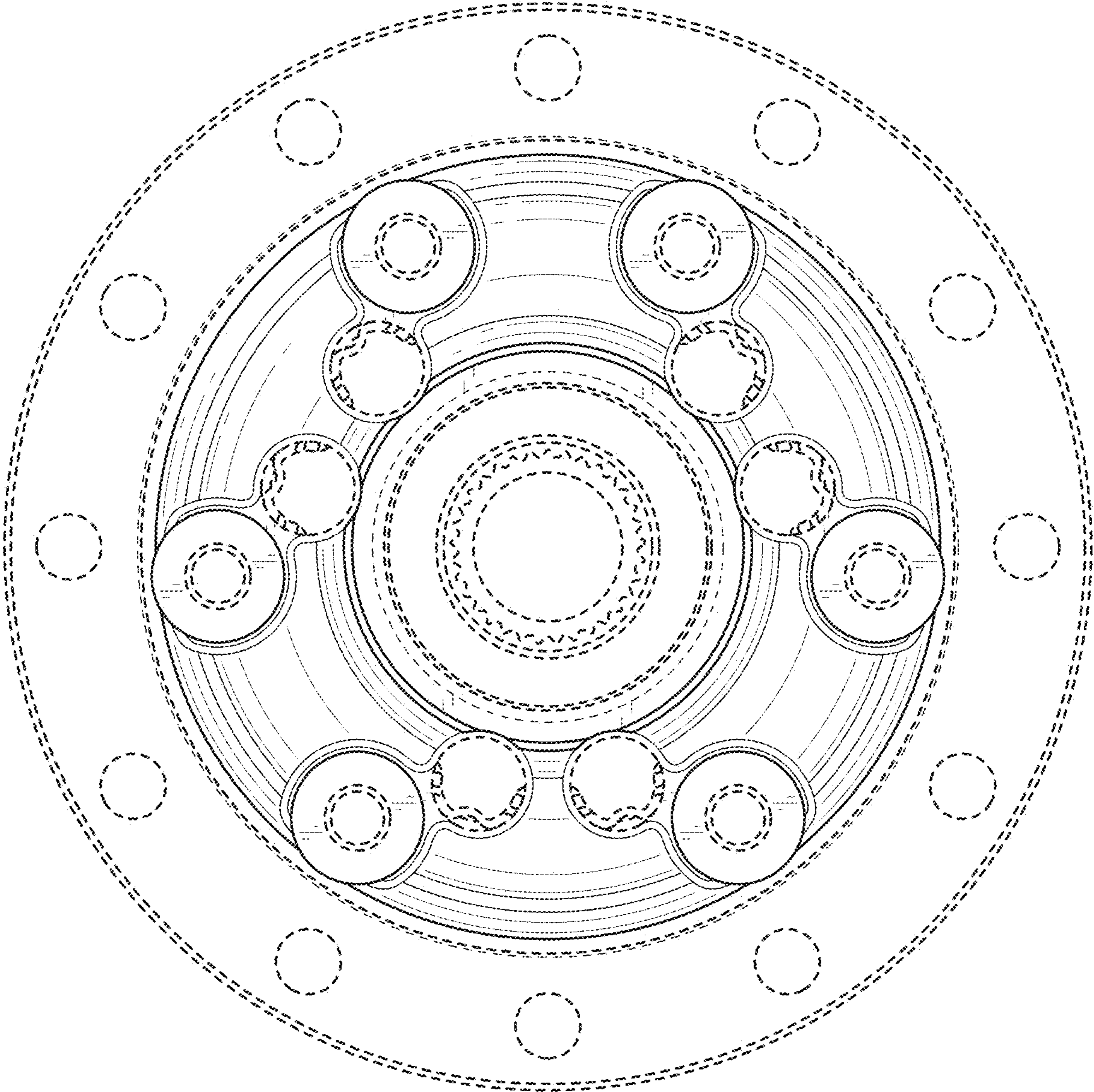


FIG. 4

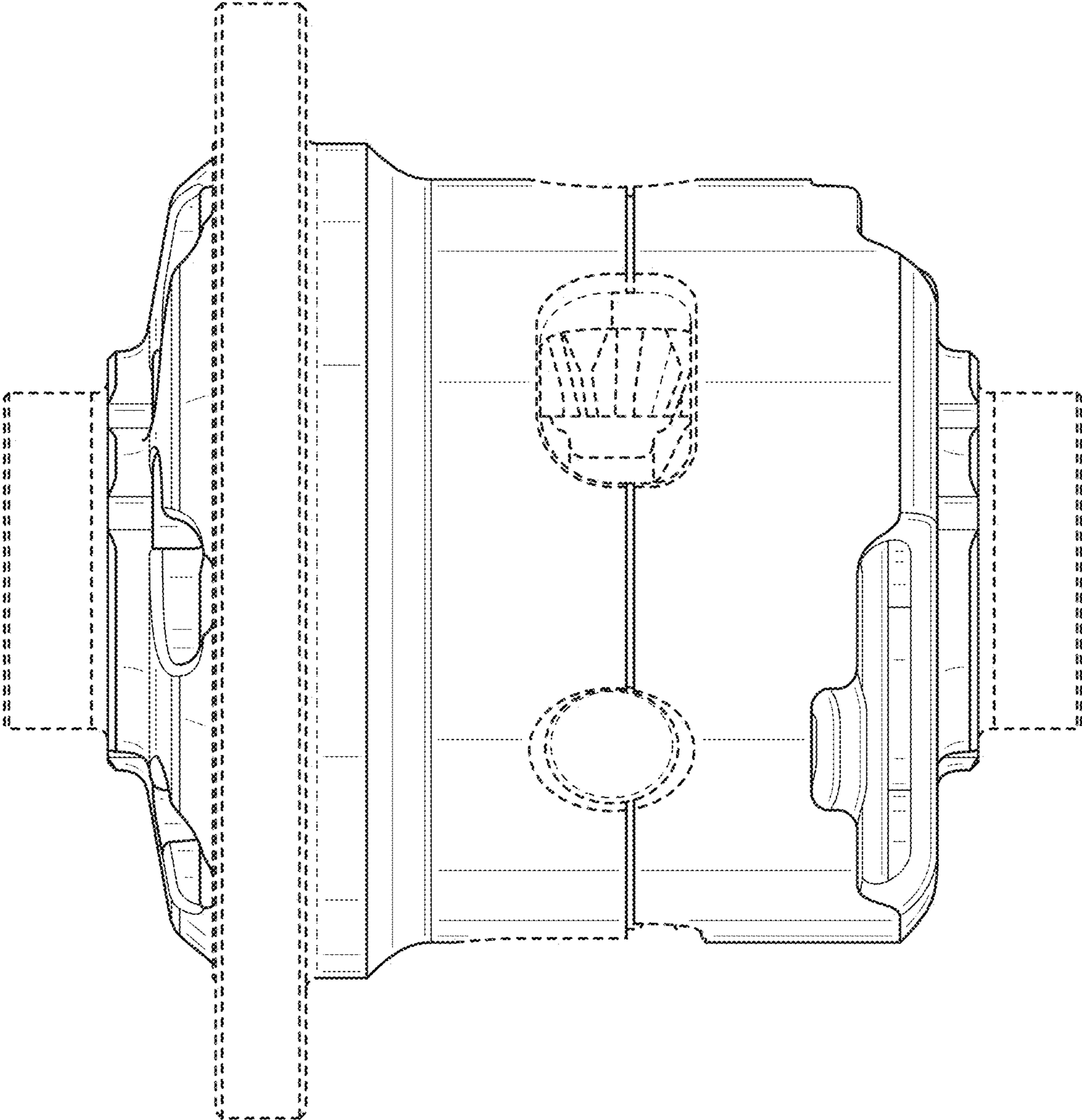


FIG. 5

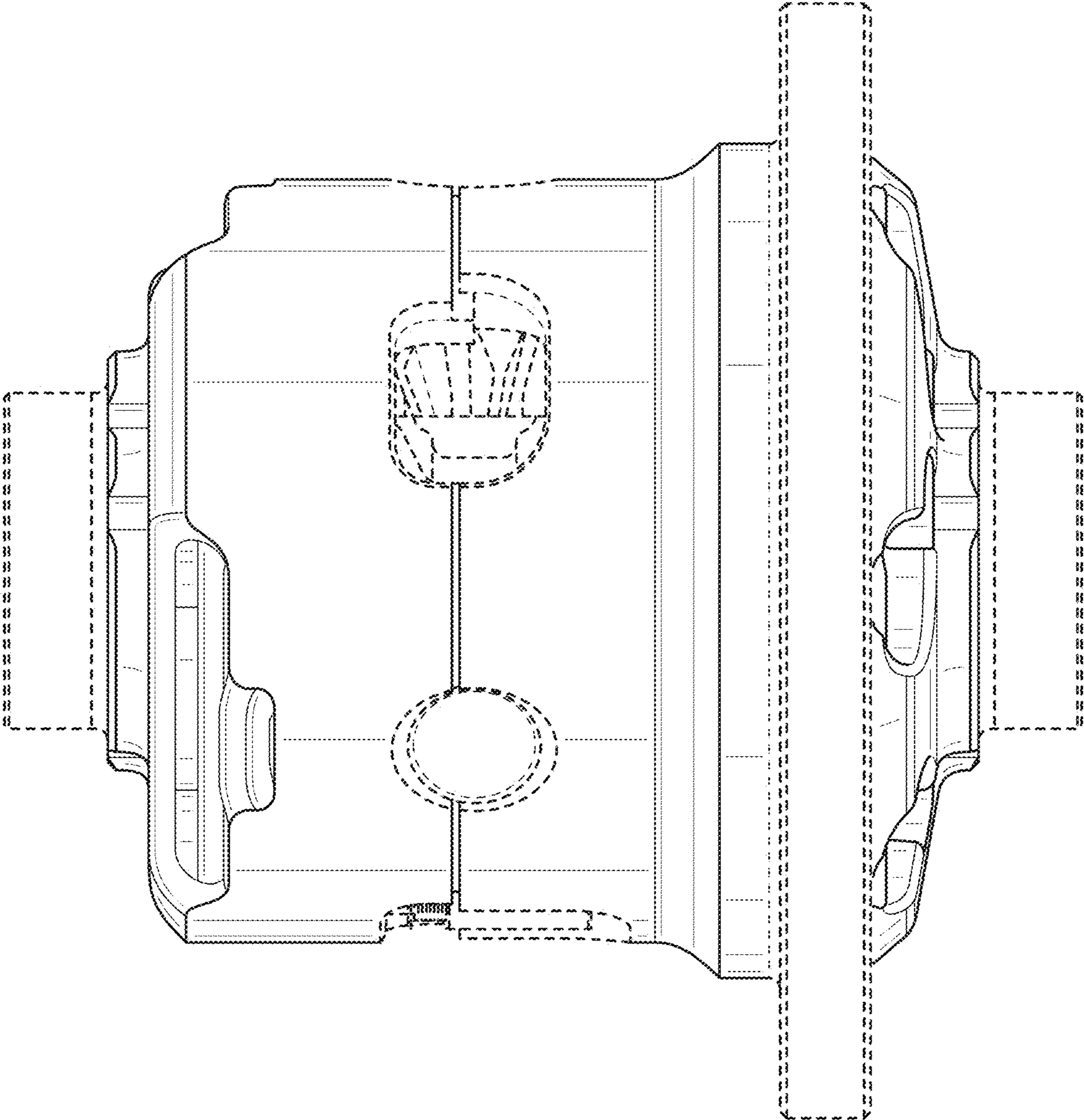


FIG. 6

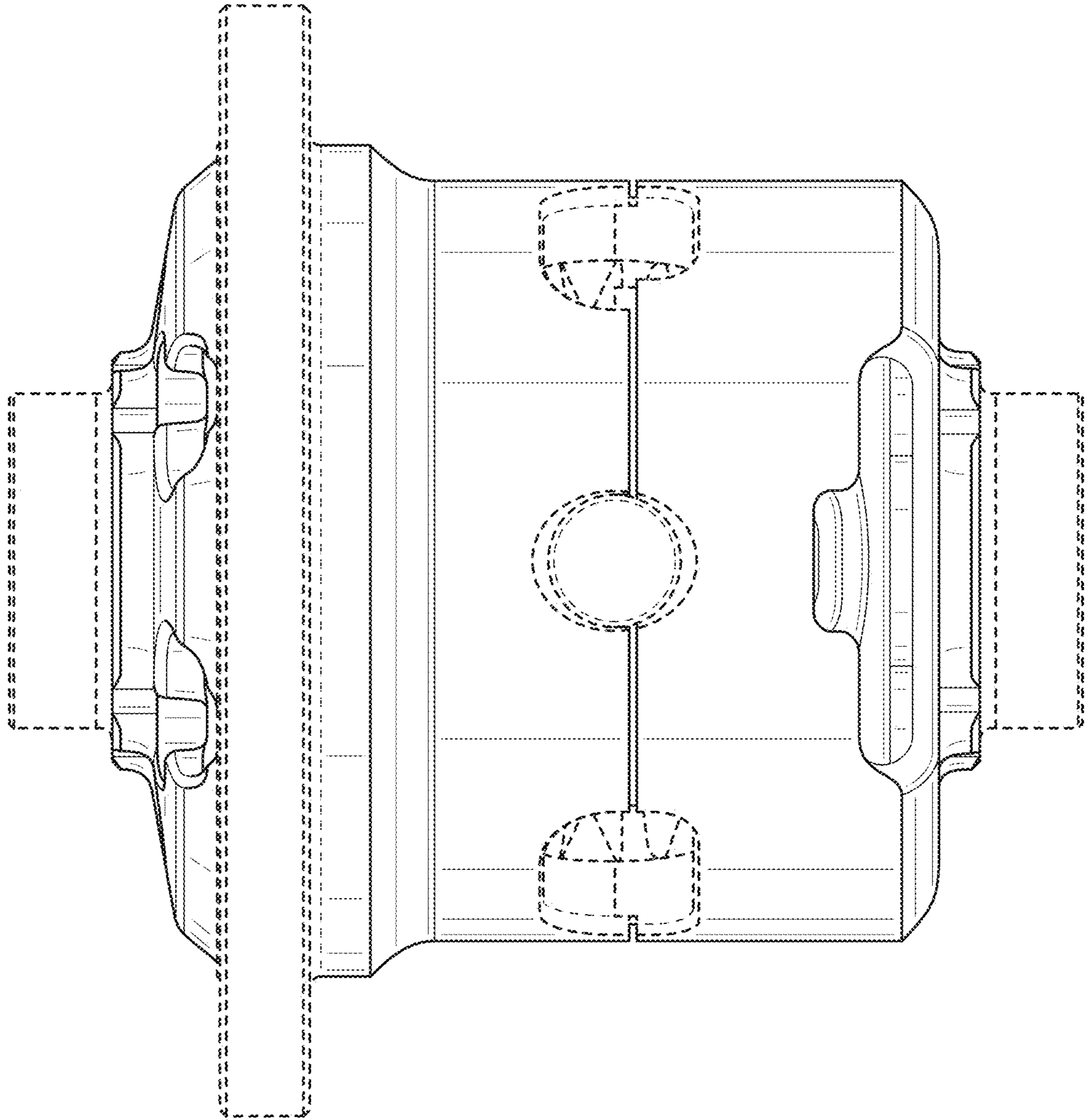


FIG. 7

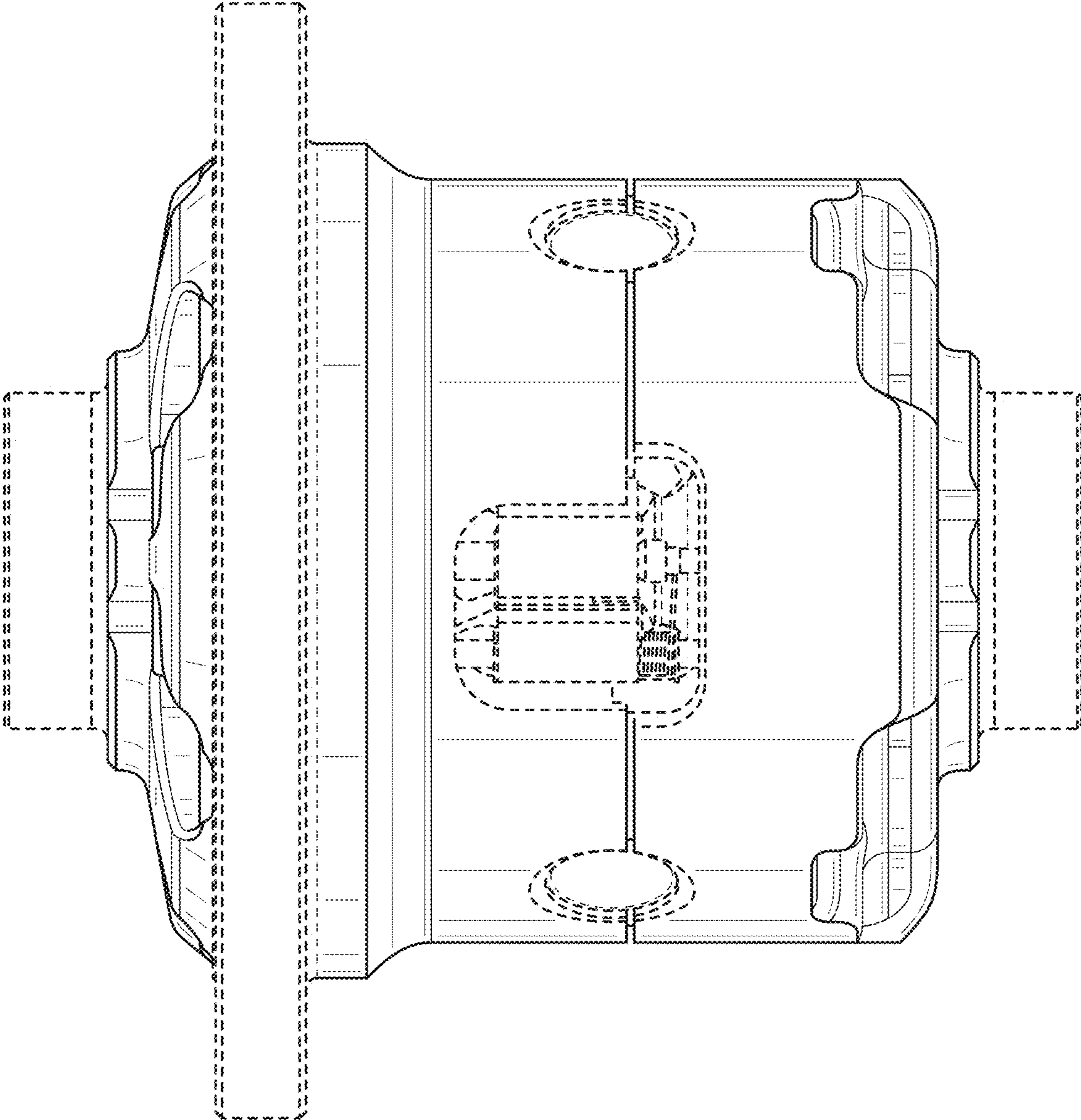


FIG. 8