



US00D941877S

(12) **United States Design Patent** (10) **Patent No.:** **US D941,877 S**
Li et al. (45) **Date of Patent:** **** Jan. 25, 2022**

(54) **DISPLAY SCREEN WITH ANIMATED GRAPHICAL USER INTERFACE**

(71) Applicant: **Google LLC**, Mountain View, CA (US)

(72) Inventors: **Ke Li**, New York, NY (US); **Damien Correll**, Brooklyn, NY (US); **Philippe Cao**, Brooklyn, NY (US)

(73) Assignee: **GOOGLE LLC**, Mountain View, CA (US)

(**) Term: **15 Years**

(21) Appl. No.: **29/645,439**

(22) Filed: **Apr. 26, 2018**

(51) **LOC (13) Cl.** **14-04**

(52) **U.S. Cl.**
USPC **D14/489**

(58) **Field of Classification Search**
USPC D14/485–495; D20/11; D21/324, 325
CPC G06F 3/048; G06F 3/0481; G06F 3/04817;
G06F 3/0482; G06F 3/0483; G06F
3/04842; G06F 3/0485; G06F 3/04855;
G06F 3/0486; G06F 3/0488; G06F
3/04886; G06F 9/4443; G06F 17/211;
G06F 17/212; H04L 51/046; H04M 3/56;
G06K 7/109

See application file for complete search history.

(56) **References Cited**

U.S. PATENT DOCUMENTS

D598,460 S * 8/2009 Hirsch D14/485
D619,613 S 7/2010 Dunn
D626,131 S 10/2010 Kruzeniski et al.
D626,133 S 10/2010 Murphy
D641,372 S * 7/2011 Gardner D14/486
D642,191 S * 7/2011 Barnett D14/487
D644,662 S * 9/2011 Gardner D14/491
8,605,094 B1 12/2013 Alfaro et al.
D697,526 S 1/2014 Bruck

D700,207 S * 2/2014 Pearson D14/488
D726,197 S * 4/2015 Kim D14/485
D726,214 S * 4/2015 Wantland D14/487
D732,566 S 6/2015 Mitchell
D745,050 S * 12/2015 Kwon D14/490
D745,549 S 12/2015 Lim
D747,326 S 1/2016 Lim et al.
D749,623 S 2/2016 Gray

(Continued)

OTHER PUBLICATIONS

Prettner, Nikolai, "Floating Action Button Expansion" Mar. 27, 2015, posted at dribbble.com, [site visited Mar. 21, 2019]. <https://dribbble.com/shots/1994298-Floating-Action-Button-Expansion>.*

(Continued)

Primary Examiner — John M Otte

(74) *Attorney, Agent, or Firm* — Plumsea Law Group, LLC

(57) **CLAIM**

The ornamental design for a display screen with animated graphical user interface, as shown and described.

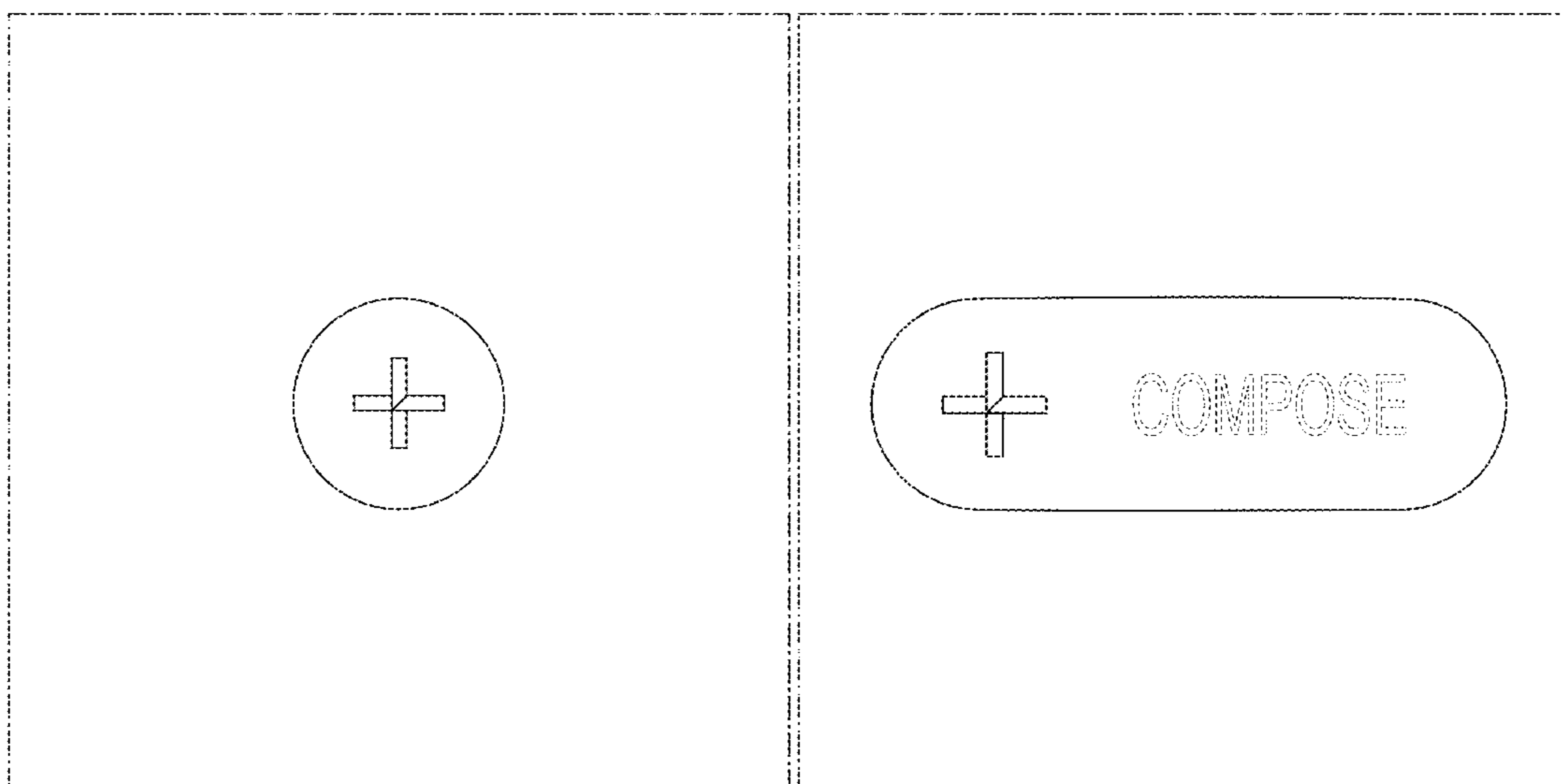
DESCRIPTION

FIG. 1 is a front view of a display screen with animated graphical user interface, showing the new design; FIG. 2 is a front view of a second image thereof; FIG. 3 is a front view of a third image thereof; FIG. 4 is a front view of a fourth image thereof; and, FIG. 5 is a front view of a fifth image thereof.

The appearance of the animated graphical user interface sequentially transitions between the images shown in FIGS. 1-5. The process or period in which one image transitions to another image forms no part of the claimed design.

The portions depicted in broken dashed lines of uneven length define the unclaimed boundary of the claimed design. The portions depicted in broken dashed lines of even length form no part of the claimed design.

1 Claim, 5 Drawing Sheets



(56)

References Cited

U.S. PATENT DOCUMENTS

D749,626 S * 2/2016 Park D14/488
 D750,125 S * 2/2016 Yang D14/488
 D752,094 S * 3/2016 Cornwell D14/488
 D753,676 S * 4/2016 Oh D14/485
 D756,404 S 5/2016 Lee
 D759,677 S * 6/2016 Oguntebi D14/485
 D762,234 S * 7/2016 Li D14/486
 D764,520 S * 8/2016 Lee D14/488
 D765,701 S 9/2016 Thorleifsson
 D766,252 S * 9/2016 Miyazaki D14/485
 9,462,132 B2 * 10/2016 Caulfield H04M 3/56
 D773,502 S * 12/2016 Park D14/486
 D776,124 S * 1/2017 Lee D14/485
 D777,180 S 1/2017 Kim et al.
 D783,044 S 4/2017 Rogers et al.
 D784,397 S * 4/2017 Kim D14/487
 D795,284 S * 8/2017 Miller D14/487
 D797,793 S * 9/2017 Nichols D14/486
 D797,794 S 9/2017 Park
 D798,334 S * 9/2017 Dye D14/489
 D799,530 S * 10/2017 Wu D14/486
 D802,607 S * 11/2017 Apodaca D14/485
 D809,006 S * 1/2018 Mehta D14/489
 D812,082 S 3/2018 Felt
 D813,900 S * 3/2018 Karunamuni D14/487
 D814,491 S 4/2018 Tuson
 D819,043 S * 5/2018 Yamaura D14/485
 D820,316 S 6/2018 Bebbington et al.
 D828,364 S 9/2018 Felt
 D829,747 S 10/2018 Chaudhri
 D830,403 S * 10/2018 Subash D14/486
 D831,053 S * 10/2018 Guo D14/486
 D835,669 S * 12/2018 Hong D14/492
 D835,670 S * 12/2018 Hong D14/492
 D836,128 S * 12/2018 Varghese D14/487
 D839,905 S 2/2019 Tuson
 10,204,251 B1 * 2/2019 Fenty, III G06K 7/109
 D844,029 S 3/2019 Bebbington
 D858,541 S 9/2019 Chassagneux
 D859,453 S * 9/2019 Wantland D14/487

2014/0164957 A1 6/2014 Shin et al.
 2014/0282075 A1 9/2014 Alfaro
 2015/0312180 A1 * 10/2015 Taler H04L 51/046
 715/752
 2017/0329464 A1 * 11/2017 Hong G06F 3/0482
 2017/0329465 A1 * 11/2017 Hong G06F 3/0482

OTHER PUBLICATIONS

Prettner, Nikolai, "Floating Action Button Toast" Mar. 27, 2015, posted at dribbble.com, [site visited Mar. 21, 2019]. <https://dribbble.com/shots/1994304-Floating-Action-Button-Toast>.
 Ferreira, Leandro Borges, "Make a great Android UX: How to make a swipe button" Jun. 7, 2017, posted at android.jlelse.eu, [site visited Mar. 21, 2019]. <https://android.jlelse.eu/make-a-great-android-ux-how-to-make-a-swipe-button-eebf060326d>.
 "Medical logo icon design template with cross and plus. Vector sign.—Vector" Dec. 4, 2014, posted at shutterstock.com, [site visited Mar. 25, 2019]. <https://www.shutterstock.com/image-vector/medical-logo-icon-design-template-cross-222322372>.
 "36 Incredibly Well-Designed User Interface Animations (GIFs)" Oct. 21, 2015, posted at digitalsynopsis.com, [site visited Jul. 31, 2019]. <https://web.archive.org/web/20151021125058/https://digitalsynopsis.com/design/gif-icons-menu-transition-animations>.
 U.S. Appl. No. 29/645,448; Display Screen With Graphical User Interface; Kunal Patel et al., filed Apr. 26, 2018.
 "What's New: Material Design." redmadrobot com dated Jun. 7, 2018, <https://www.redmadrobot.com/fyi/what-s-new-material-design>.
 "How to increase distance between terms in BottomBar?" stackoverflow.com dated Jul. 31, 2017, <https://stackoverflow.com/questions/45406921/how-to-increase-distance-between-items-in-bottombar>.
 "How to use the fab style diamond?" stackoverflow.com dated Jan. 6, 2019 <https://stackoverflow.com/questions/54066244/how-to-use-the-fab-style-diamond>.
 Mudrak, Lubos, "A place for BottomApp Bar." medium.com dated Mar. 15, 2018, <https://medium.com/@LubosMudrak/the-place-for-bottomappbar-31e0db8f70b1>.

* cited by examiner

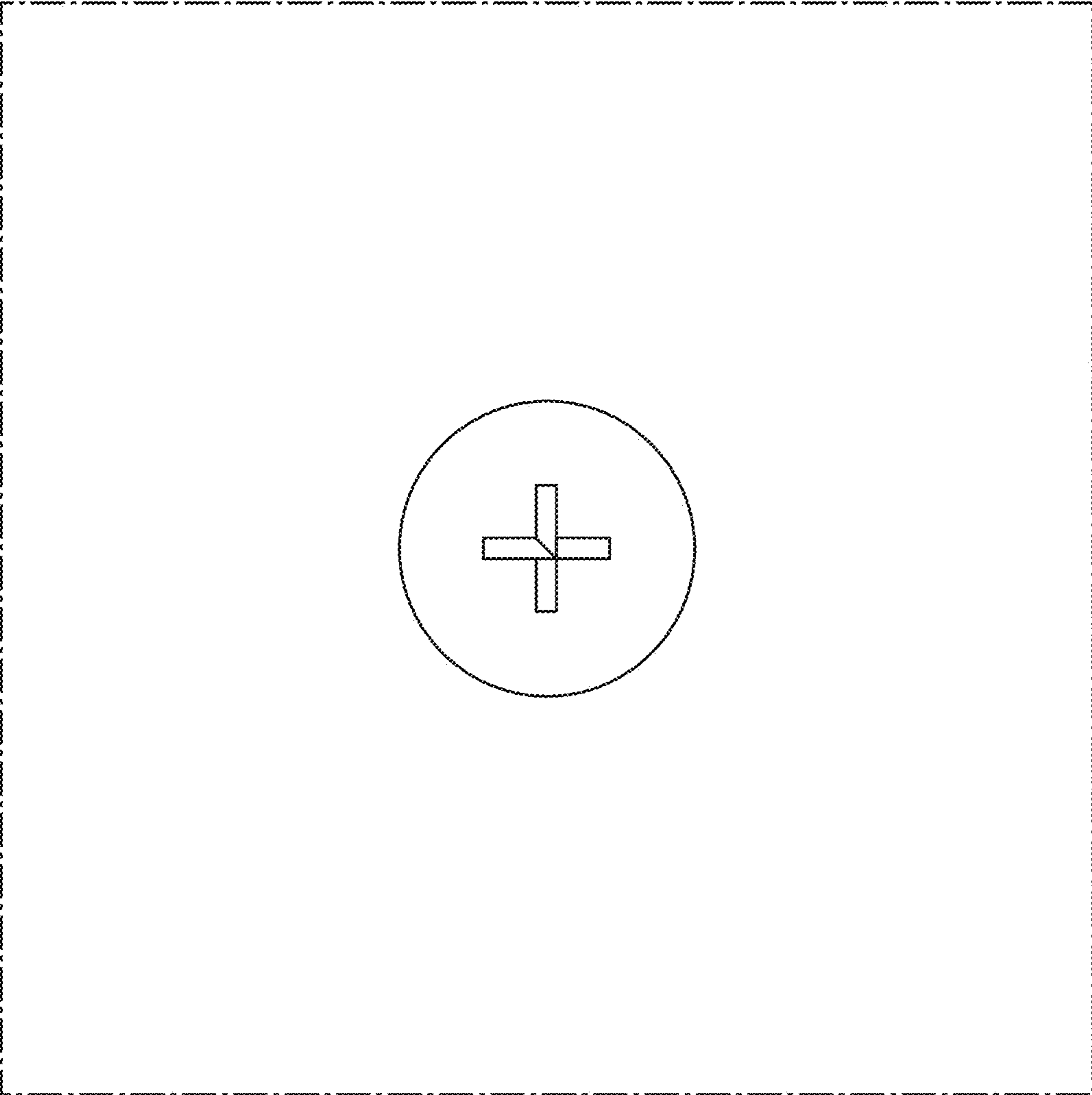


FIG. 1

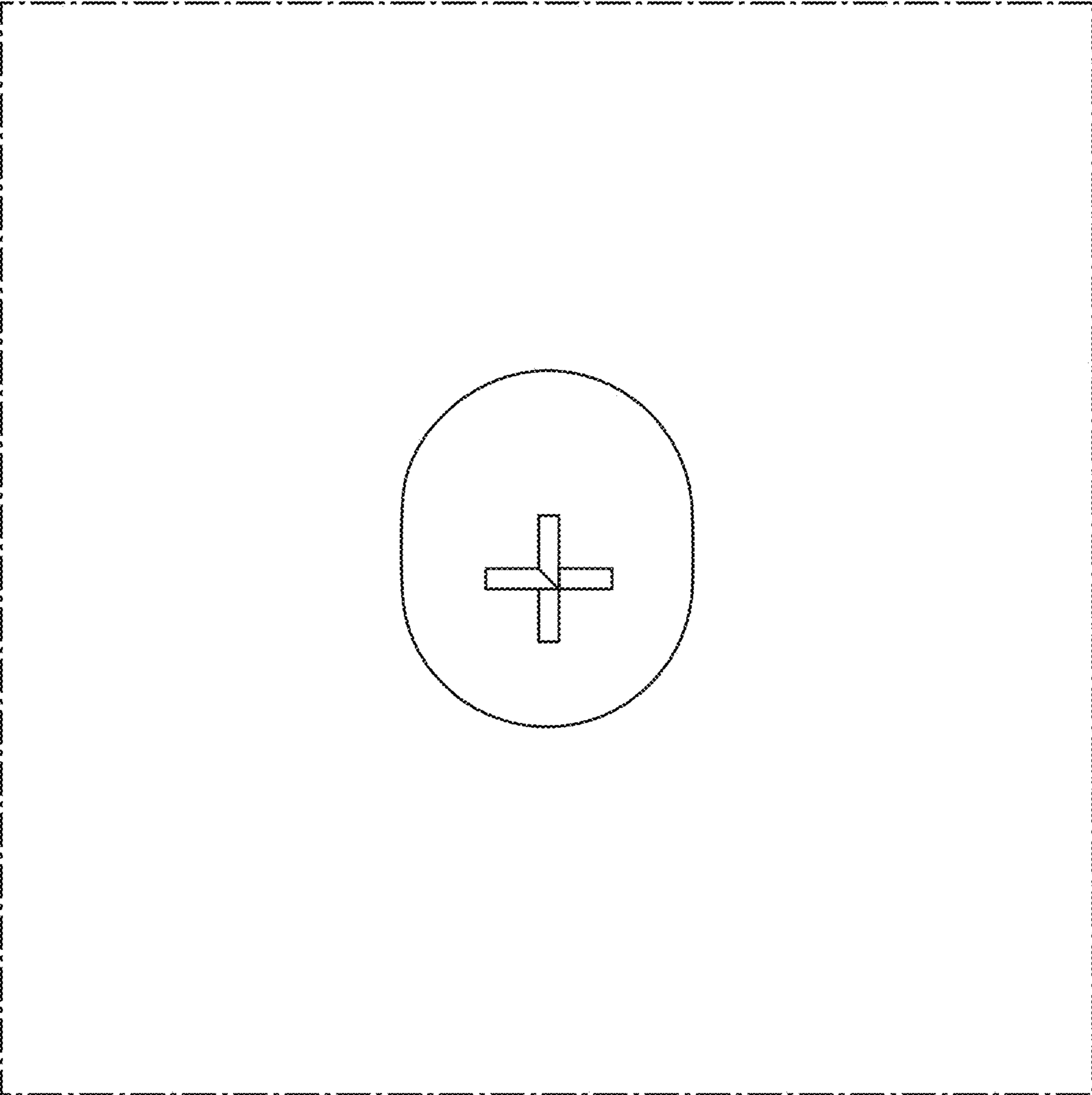


FIG. 2

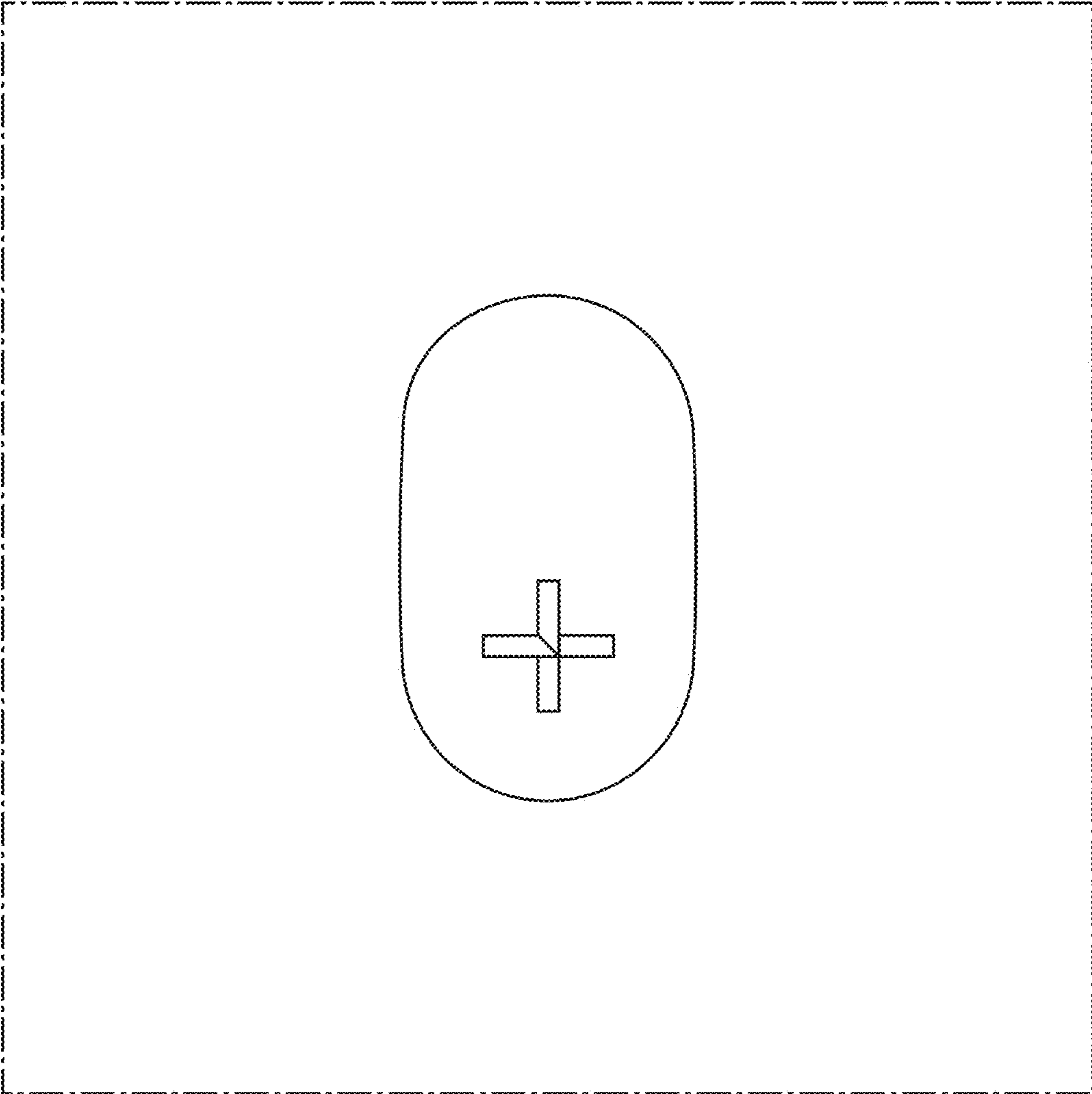


FIG. 3

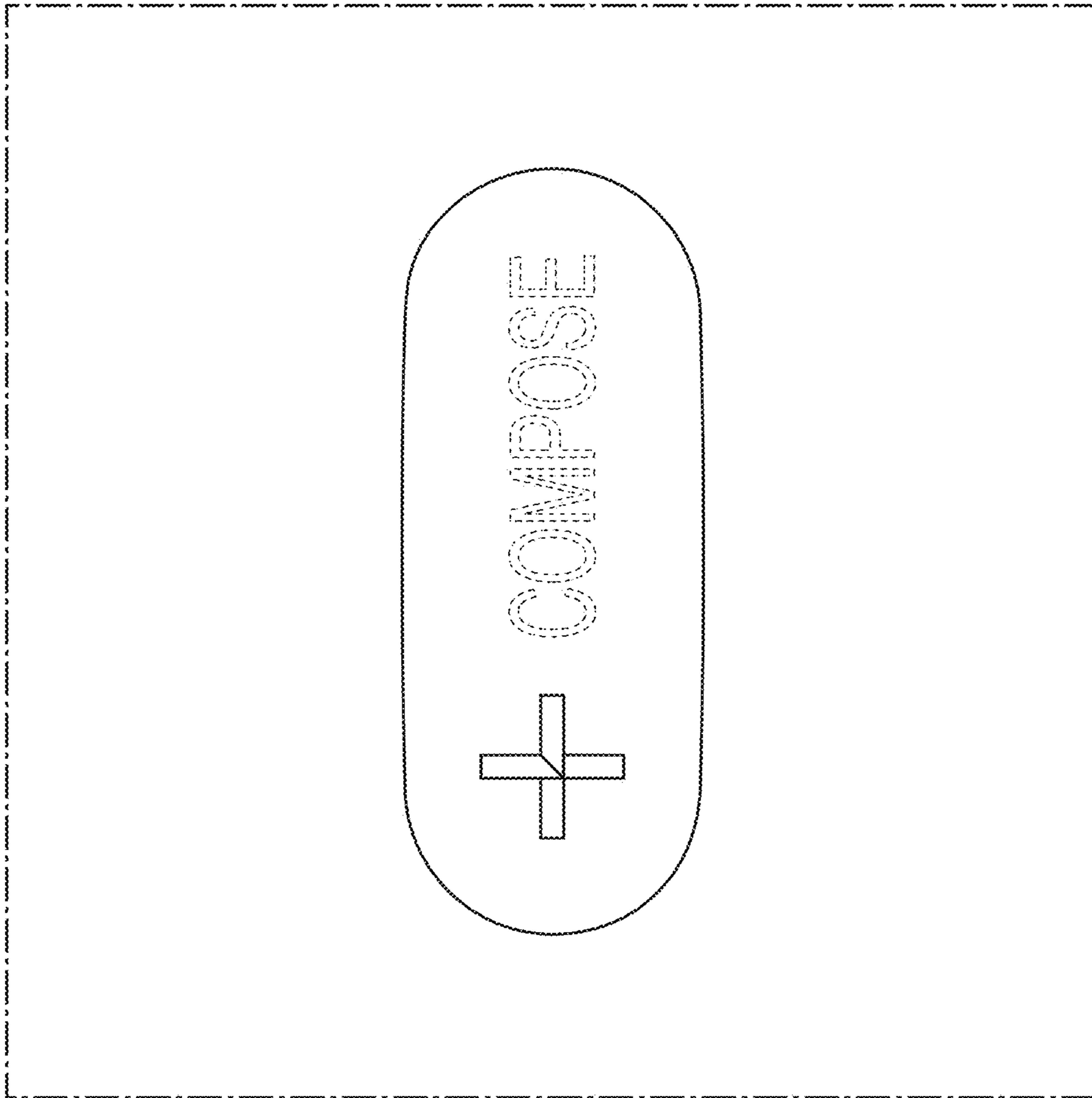


FIG. 4

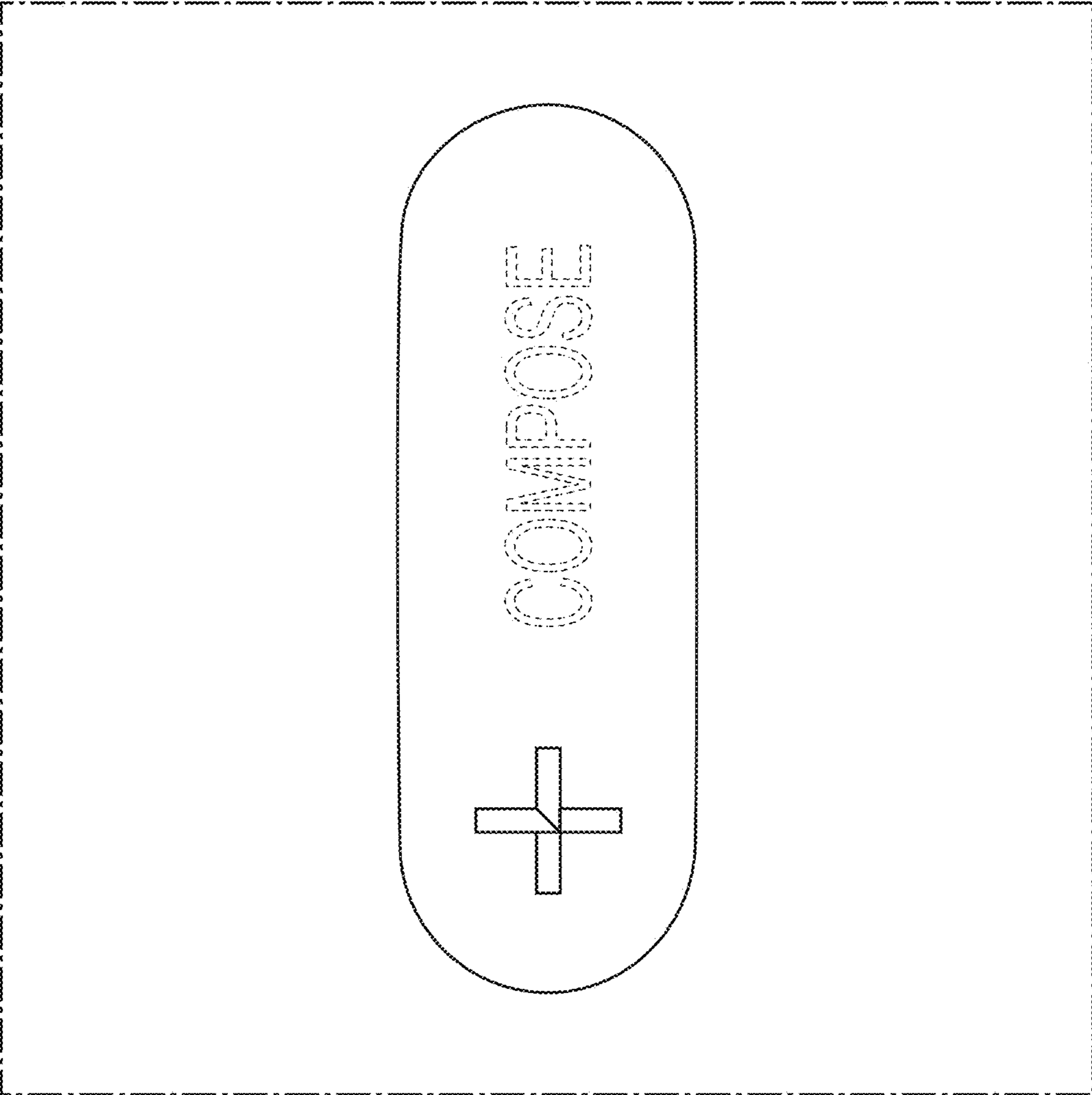


FIG. 5