



US00D941839S

(12) **United States Design Patent** (10) **Patent No.:** **US D941,839 S**  
**Meaney et al.** (45) **Date of Patent:** **\*\* Jan. 25, 2022**

(54) **DISPLAY PANEL OR PORTION THEREOF WITH GRAPHICAL USER INTERFACE**  
(71) Applicant: **MAGIC LEAP, INC.**, Plantation, FL (US)  
(72) Inventors: **Brian Everett Meaney**, Parkland, FL (US); **Marc Coleman Shelton**, Fort Lauderdale, FL (US); **Megan Ann Geiman**, Fort Lauderdale, FL (US); **John A. Gotcher**, Prosper, TX (US); **Matthew Schon Bogue**, McKinney, TX (US); **Shivakumar Balasubramanyam**, San Diego, CA (US); **Jeffrey Edward Ruediger**, McKinney, TX (US)

D609,715 S 2/2010 Chaudhri  
D613,300 S 4/2010 Chaudhri  
D619,146 S 7/2010 Flik et al.  
D624,932 S 10/2010 Chaudhri  
D637,606 S 5/2011 Luke et al.  
D651,608 S 1/2012 Allen et al.  
8,271,898 B1 9/2012 Mattos et al.  
D669,883 S 10/2012 Cheng  
D669,884 S 10/2012 Hou

(Continued)

**OTHER PUBLICATIONS**

Non-Final Office Action for U.S. Appl. No. 29/646,113 dated May 3, 2029.

(Continued)

*Primary Examiner* — Daniel J Domino  
(74) *Attorney, Agent, or Firm* — Vista IP Law Group, LLP

(73) Assignee: **Magic Leap, Inc.**, Plantation, FL (US)  
(\*\*) Term: **15 Years**

(21) Appl. No.: **29/733,540**

(22) Filed: **May 4, 2020**

**Related U.S. Application Data**

(62) Division of application No. 29/646,113, filed on May 1, 2018, now Pat. No. Des. 886,836.

(51) **LOC (13) Cl.** ..... **14-04**

(52) **U.S. Cl.**  
USPC ..... **D14/485**

(58) **Field of Classification Search**  
USPC ..... D14/126, 371, 374, 485–495  
CPC ..... G06F 3/048; G06F 3/0481; G06T 17/00;  
G06T 2200/24; G06T 19/20; H04N  
21/478

See application file for complete search history.

(56) **References Cited**

**U.S. PATENT DOCUMENTS**

D563,968 S 3/2008 Lewin et al.  
D600,249 S 9/2009 Nagata et al.

(57) **CLAIM**

The ornamental design for a display panel or portion thereof with graphical user interface, as shown and described.

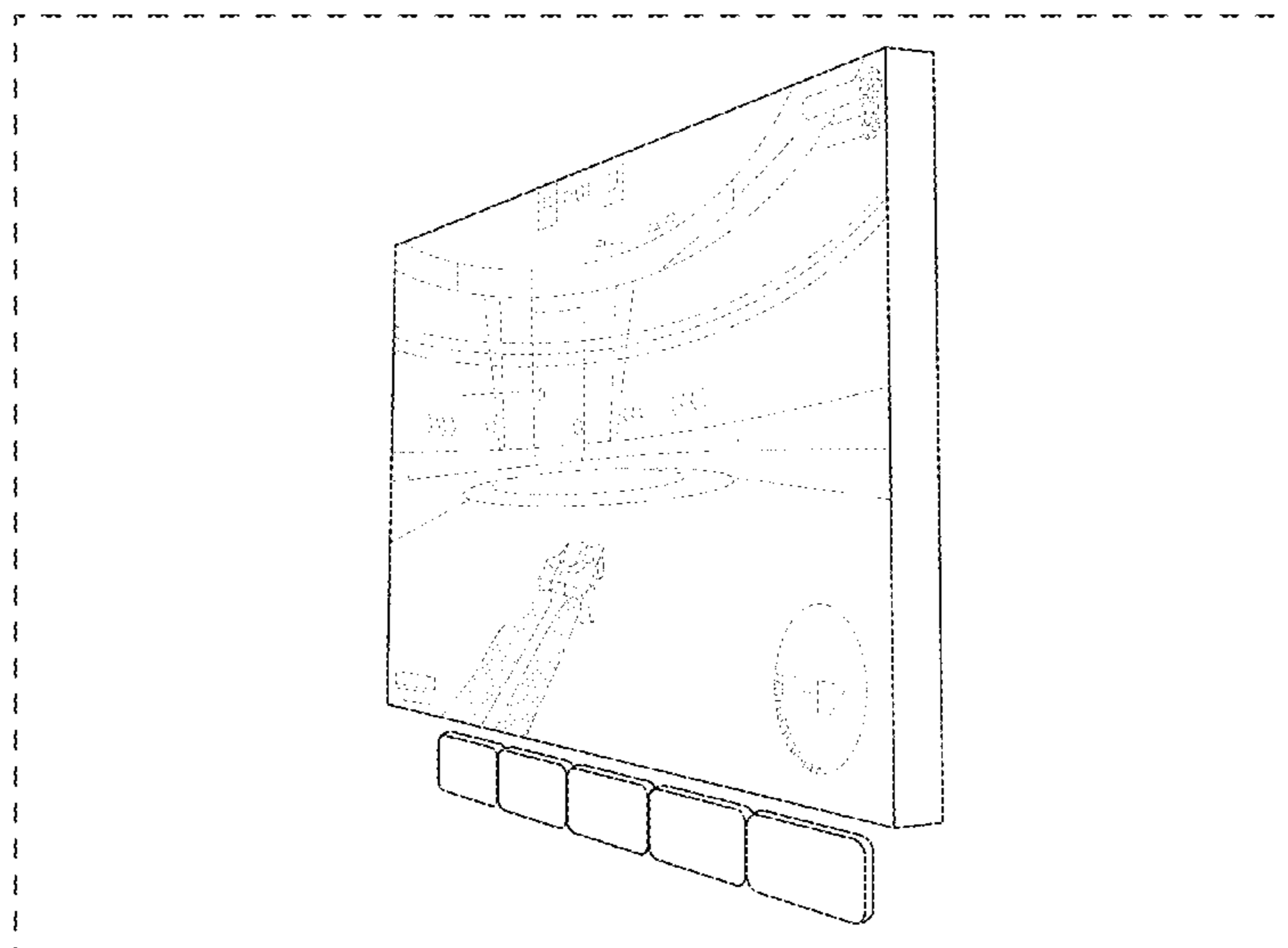
**DESCRIPTION**

This application is related to U.S. Utility Patent application Ser. No. 15/968,673, filed on May 1, 2018, and entitled “Matching Content to a Spatial 3D Environment.” The contents of the aforementioned patent applications are hereby expressly and fully incorporated by reference in their entirety, as though set forth in full.

The FIGURE is a front view of a display panel or portion thereof with graphical user interface showing our new design.

The outermost broken line rectangle illustrates a display panel or portion thereof that forms no part of the claimed design. The remaining broken lines, including all text, illustrate portions of the graphical user interface or mixed reality environment and form no part of the design.

**1 Claim, 1 Drawing Sheet**



(56)

References Cited

U.S. PATENT DOCUMENTS

D675,638 S 2/2013 Woo et al.  
 D678,270 S 3/2013 Song et al.  
 D682,842 S 5/2013 Kurata et al.  
 D695,755 S 12/2013 Hwang et al.  
 D697,079 S 1/2014 Yuk et al.  
 D697,933 S 1/2014 Lee et al.  
 D697,936 S 1/2014 Lee et al.  
 D698,816 S 2/2014 Phelan et al.  
 D701,236 S 3/2014 Hatta  
 D701,527 S 3/2014 Brinda et al.  
 D701,528 S 3/2014 Brinda et al.  
 D705,250 S 5/2014 Khanna  
 D707,249 S 6/2014 Yamada  
 D709,516 S 7/2014 Nakada  
 D711,426 S 8/2014 Hollobaugh  
 D715,769 S 10/2014 Mcmanigal  
 D716,338 S 10/2014 Lee  
 D718,781 S \* 12/2014 Arnold ..... D14/486  
 D719,183 S 12/2014 Kuwahara  
 D720,770 S 1/2015 Lacour et al.  
 D720,771 S 1/2015 Lacour et al.  
 D721,721 S 1/2015 Seung-Hyuck  
 D721,722 S 1/2015 Lee  
 D722,321 S 2/2015 Lee et al.  
 D722,609 S 2/2015 Lee et al.  
 D724,100 S 3/2015 Williams et al.  
 D724,615 S 3/2015 Brinda et al.  
 D729,269 S 5/2015 Trusz et al.  
 D730,382 S 5/2015 Brinda et al.  
 D730,383 S 5/2015 Brinda et al.  
 D733,043 S 6/2015 Hasbrook et al.  
 D733,162 S 6/2015 Aoshima  
 D736,244 S 8/2015 Kang  
 D738,395 S \* 9/2015 Barcheck ..... D14/486  
 D738,906 S 9/2015 Frijlink et al.  
 D739,871 S 9/2015 Arriola et al.  
 D742,901 S 11/2015 Choi et al.  
 D743,980 S \* 11/2015 Moriya ..... D14/486  
 D745,028 S 12/2015 Hwang et al.  
 D746,834 S 1/2016 Gray et al.  
 D749,098 S 2/2016 Moon et al.  
 D749,099 S 2/2016 Moon et al.  
 D749,605 S 2/2016 Choi et al.  
 D751,095 S 3/2016 Moon et al.  
 D752,104 S 3/2016 Lee et al.  
 D752,634 S 3/2016 Yoon et al.  
 D752,636 S 3/2016 Yoon et al.  
 D753,702 S 4/2016 Zhou  
 D754,148 S 4/2016 Yoon et al.  
 D754,153 S \* 4/2016 Moon ..... D14/485  
 D754,155 S \* 4/2016 Moon ..... D14/485  
 D754,156 S \* 4/2016 Moon ..... D14/485  
 D754,158 S 4/2016 Moon et al.  
 D755,815 S 5/2016 Seo et al.  
 D756,385 S 5/2016 Kim et al.  
 D757,782 S 5/2016 Moriya  
 D757,785 S 5/2016 Yang  
 D758,421 S 6/2016 Liu et al.  
 D758,424 S 6/2016 Ding et al.  
 D761,284 S 7/2016 Nguyen et al.  
 D761,285 S 7/2016 Kim et al.  
 D761,302 S 7/2016 Rodriguez  
 D761,802 S \* 7/2016 Moon ..... D14/485  
 D762,708 S 8/2016 Lee  
 D763,849 S \* 8/2016 Choo ..... D14/341  
 D763,905 S \* 8/2016 Patel ..... D14/488  
 D764,487 S 8/2016 Chaudhri et al.  
 D765,711 S 9/2016 Henderson et al.  
 D766,927 S 9/2016 Li et al.  
 D768,163 S 10/2016 Holl  
 D776,050 S 1/2017 Awad et al.  
 D777,185 S 1/2017 Kwak et al.  
 D777,782 S 1/2017 Appel et al.  
 D780,782 S 3/2017 Minks-Brown et al.  
 D781,873 S 3/2017 Wu et al.

D783,670 S 4/2017 Gomez et al.  
 D784,369 S 4/2017 Kuhn et al.  
 D784,370 S 4/2017 Kuhn et al.  
 D785,013 S 4/2017 Kuhn et al.  
 D786,289 S 5/2017 Kim et al.  
 D790,595 S \* 6/2017 Forsblom ..... D14/492  
 D791,736 S 7/2017 Schoolmeester et al.  
 D794,663 S 8/2017 Sakuma  
 D796,539 S 9/2017 Sakuma  
 D797,767 S 9/2017 Esselstrom et al.  
 D799,513 S 10/2017 Ferrell et al.  
 D800,738 S \* 10/2017 Xu ..... D14/485  
 D806,111 S \* 12/2017 Wu ..... D14/486  
 D808,397 S 1/2018 Beaty et al.  
 D813,885 S 3/2018 Soh  
 D819,685 S 6/2018 Lee et al.  
 D821,412 S 6/2018 Diament et al.  
 D826,216 S 8/2018 Schoolmeester et al.  
 D826,965 S 8/2018 Smith et al.  
 D829,165 S 9/2018 Moomaw et al.  
 D830,378 S 10/2018 Li et al.  
 D830,984 S \* 10/2018 Kim ..... D14/126  
 D835,058 S \* 12/2018 Kim ..... D14/126  
 D835,059 S \* 12/2018 Kim ..... D14/126  
 D835,605 S 12/2018 Schoolmeester et al.  
 D837,256 S 1/2019 Arriola et al.  
 D841,609 S 2/2019 Kim et al.  
 D845,998 S \* 4/2019 Capela ..... D14/492  
 D846,580 S 4/2019 Matas  
 D848,970 S \* 5/2019 Lim ..... D14/126  
 D852,813 S \* 7/2019 Rudduck ..... D14/485  
 D853,435 S 7/2019 Omernick et al.  
 D855,067 S \* 7/2019 Campbell ..... D14/486  
 D857,737 S \* 8/2019 Chaudhri ..... D14/488  
 D864,236 S 10/2019 Henderson et al.  
 D869,483 S \* 12/2019 Wilde ..... D14/486  
 D870,740 S 12/2019 Nanavati et al.  
 D871,421 S 12/2019 Kim et al.  
 D871,451 S \* 12/2019 Fujiyama ..... D14/492  
 D873,857 S \* 1/2020 Dagley ..... D14/492  
 D880,510 S \* 4/2020 Yu ..... D14/486  
 D880,519 S 4/2020 Wilde  
 D881,236 S 4/2020 Dagley et al.  
 D884,018 S 5/2020 Agarawala et al.  
 D884,663 S \* 5/2020 Jang ..... D14/126  
 D892,826 S 8/2020 Kim et al.  
 D900,766 S \* 11/2020 Kim ..... D14/126  
 D901,414 S \* 11/2020 Park ..... D14/126  
 D901,532 S \* 11/2020 Yu ..... D14/486  
 D906,283 S 12/2020 Schoolmeester et al.  
 D911,300 S \* 2/2021 Park ..... D14/126  
 D913,296 S \* 3/2021 Pilliod ..... D14/444  
 D913,300 S \* 3/2021 Matsuda ..... D14/485  
 D916,131 S \* 4/2021 Crandall ..... D14/492  
 D916,807 S 4/2021 Lindberg  
 D916,808 S \* 4/2021 Lindberg ..... D14/486  
 D916,892 S 4/2021 Huynh et al.  
 D916,911 S \* 4/2021 Damon ..... D14/492  
 D917,557 S \* 4/2021 Cody ..... D14/489  
 D918,219 S \* 5/2021 Jones ..... D14/485  
 D919,585 S \* 5/2021 Shim ..... B64D 11/00154  
 D919,586 S \* 5/2021 Lim ..... B64D 11/00154  
 D920,940 S 6/2021 Lee et al.  
 D922,427 S \* 6/2021 Yu ..... D14/486  
 D922,971 S \* 6/2021 Lim ..... D14/126  
 D922,972 S \* 6/2021 Park ..... D14/126  
 2018/0315248 A1 11/2018 Bastov et al.

OTHER PUBLICATIONS

Notice of Allowance for U.S. Appl. No. 29/646,113 dated Mar. 20, 2020.  
 Notice of Allowance for U.S. Appl. No. 29/731,826 dated Sep. 21, 2021.

\* cited by examiner

