



US00D941822S

(12) **United States Design Patent**
Sutherland et al.

(10) **Patent No.:** **US D941,822 S**
(45) **Date of Patent:** **** Jan. 25, 2022**

(54) **MONITOR SHEATH**
(71) Applicant: **CardioPrecision Ltd**, Glasgow (GB)
(72) Inventors: **Fraser William Havern Sutherland**,
Glasgow (GB); **Ying Sutherland**,
Glasgow (GB); **John Targell**, Glasgow
(GB)
(73) Assignee: **CARDIOPRECISION LTD**, Glasgow
(GB)
(**) Term: **15 Years**

(21) Appl. No.: **29/699,826**
(22) Filed: **Jul. 29, 2019**

(30) **Foreign Application Priority Data**
Jan. 29, 2019 (GB) 006112504
(51) **LOC (13) Cl.** **14-02**
(52) **U.S. Cl.**
USPC **D14/440**
(58) **Field of Classification Search**
USPC D14/440, 447, 250, 439, 344, 248, 496,
D14/374, 371; 206/45.23, 320, 45.2;
361/679.55; 294/25; 224/218; D3/294;
D9/420; D10/70, 132
CPC G06F 1/1628; G06F 1/1626; A47B 23/044
See application file for complete search history.

(56) **References Cited**
U.S. PATENT DOCUMENTS
2,194,669 A * 3/1940 Melvin B65D 5/326
206/454
8,044,942 B1 * 10/2011 Leonhard G06F 3/041
345/173
D665,808 S * 8/2012 Wang D14/439

8,517,367 B1 * 8/2013 Napier B32B 37/18
269/289 R
D727,330 S * 4/2015 Reaux D14/440
9,110,214 B2 * 8/2015 Lee G02F 1/133308
9,285,634 B2 * 3/2016 Kim G02B 6/0055
(Continued)

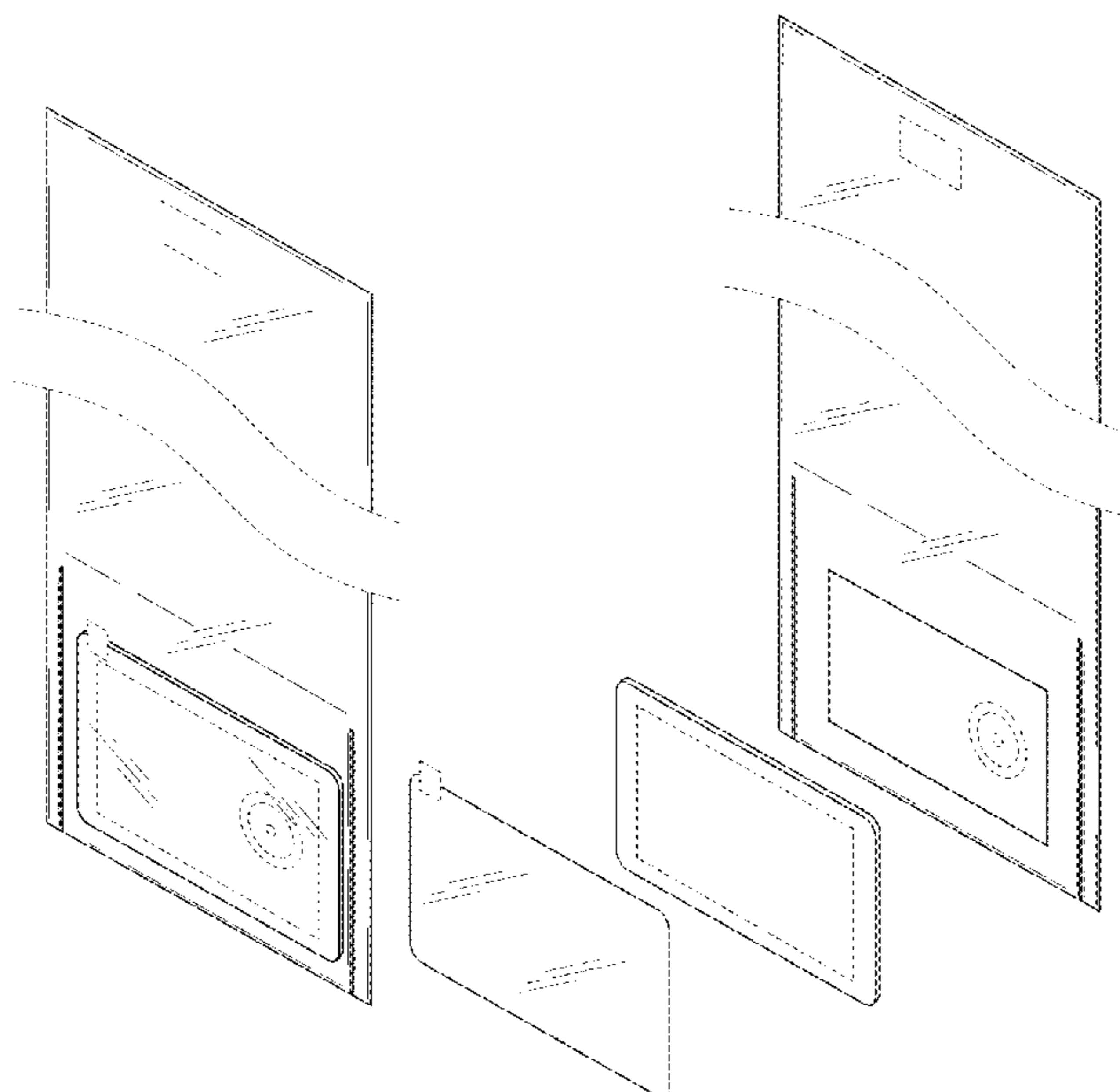
Primary Examiner — Cynthia R Underwood
(74) *Attorney, Agent, or Firm* — Hunton Andrews Kurth
LLP

(57) **CLAIM**
The ornamental design for a monitor sheath, as shown and
described.

DESCRIPTION

FIG. 1 is a perspective view of a monitor sheath showing a
first embodiment of the claimed design;
FIG. 2 is a front view of a monitor sheath showing a first
embodiment of the claimed design;
FIG. 3 is a rear view of a monitor sheath showing a first
embodiment of the claimed design;
FIG. 4 is a lengthwise side view of the left side of a monitor
sheath showing a first embodiment of the claimed design;
FIG. 5 is a lengthwise side view of the right side of a monitor
sheath showing a first embodiment of the claimed design;
FIG. 6 is a widthwise side view of the bottom side of a
monitor sheath showing a first embodiment of the claimed
design;
FIG. 7 is a widthwise side view of the top side of a monitor
sheath showing a first embodiment of the claimed design;
FIG. 8 is an expanded view of a portion of the lengthwise
side view of the right side of a monitor sheath showing a first
design as designated in FIG. 5; and,
FIG. 9 is an exploded view of the components of a monitor
sheath showing a first embodiment of the claimed design.
The broken away symbols indicate the appearance of any
portion of the article between the break lines forms no part
of the claimed design.

1 Claim, 5 Drawing Sheets



(56)

References Cited

U.S. PATENT DOCUMENTS

D758,363 S *	6/2016	Akana	D14/344	D863,307 S *	10/2019	Yi	D14/432
D774,036 S *	12/2016	Kuntz	D14/440	D863,308 S *	10/2019	Yi	D14/432
D781,861 S *	3/2017	Lane	D14/432	D876,438 S *	2/2020	Lin	D14/432
D783,024 S *	4/2017	Conley	D14/432	10,608,689 B2 *	3/2020	Chaves	C09J 7/22
D800,126 S *	10/2017	Wadsworth	D14/432	10,624,219 B2 *	4/2020	Sisson	H05K 5/0017
D800,127 S *	10/2017	Beaupre	D14/432	D900,112 S *	10/2020	Cho	D14/439
D800,128 S *	10/2017	Beaupre	D14/432	D900,813 S *	11/2020	Akana	D14/371
D800,129 S *	10/2017	Wadsworth	D14/432	D912,057 S *	3/2021	Chang	D14/439
D800,130 S *	10/2017	Beaupre	D14/432	D915,409 S *	4/2021	Koo	D14/439
D800,131 S *	10/2017	Wadsworth	D14/432	D917,490 S *	4/2021	Lee	D14/439
D800,725 S *	10/2017	Akana	D14/371	D920,334 S *	5/2021	Akana	D14/439
D802,594 S *	11/2017	Beaupre	D14/432	D926,192 S *	7/2021	Chang	D14/439
D811,404 S *	2/2018	Wadsworth	D14/432	D926,765 S *	8/2021	Akana	D14/439
D811,405 S *	2/2018	Wadsworth	D14/432	D926,767 S *	8/2021	Akana	D14/439
D812,062 S *	3/2018	MacDonald	D14/432	D928,163 S *	8/2021	Akana	D14/439
D836,115 S *	12/2018	Beaupre	D14/432	2015/0041069 A1 *	2/2015	Wadsworth	B32B 37/26 156/535
D844,011 S *	3/2019	Lin	D14/440	2015/0107767 A1 *	4/2015	Wadsworth	B29C 66/861 156/324
D852,198 S *	6/2019	Moore	D14/440	2017/0001364 A1 *	1/2017	MacDonald	B29C 65/7802

* cited by examiner

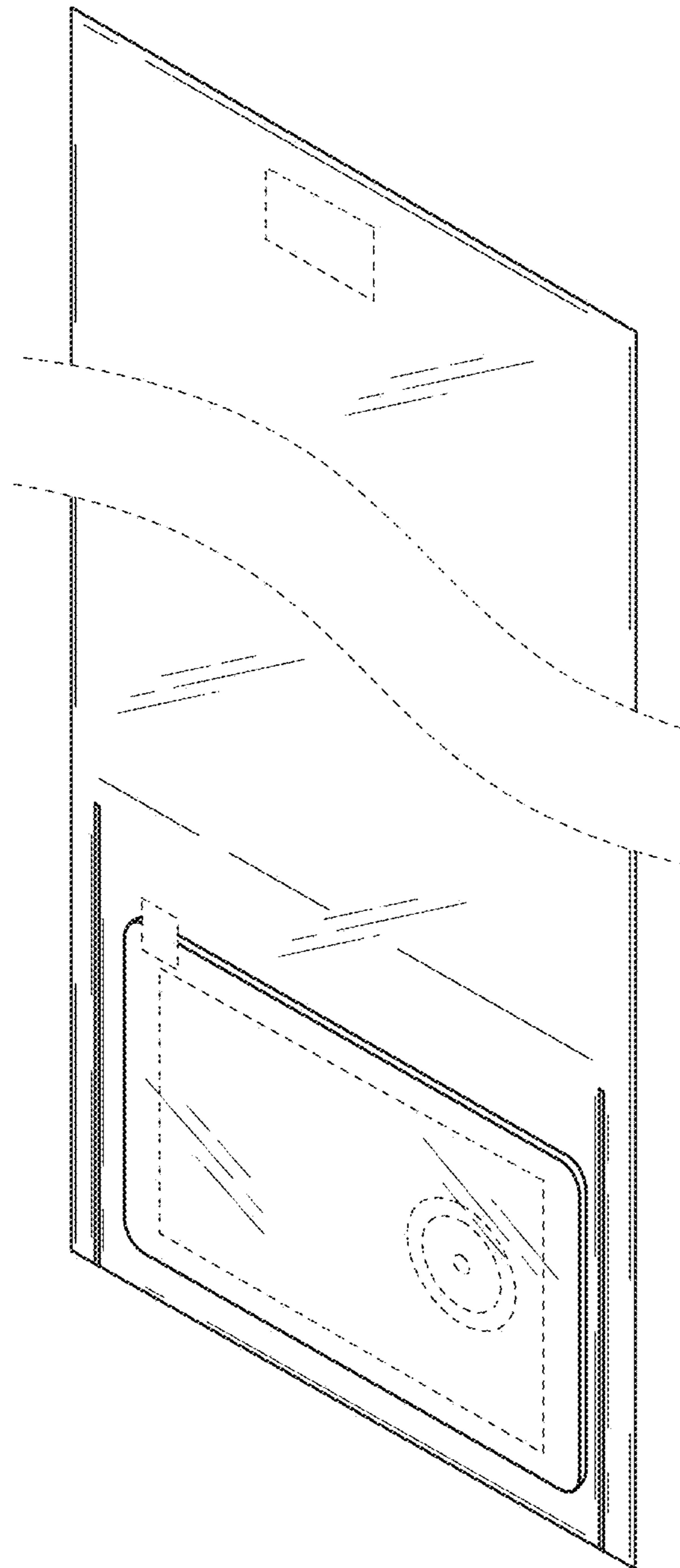


FIG. 1

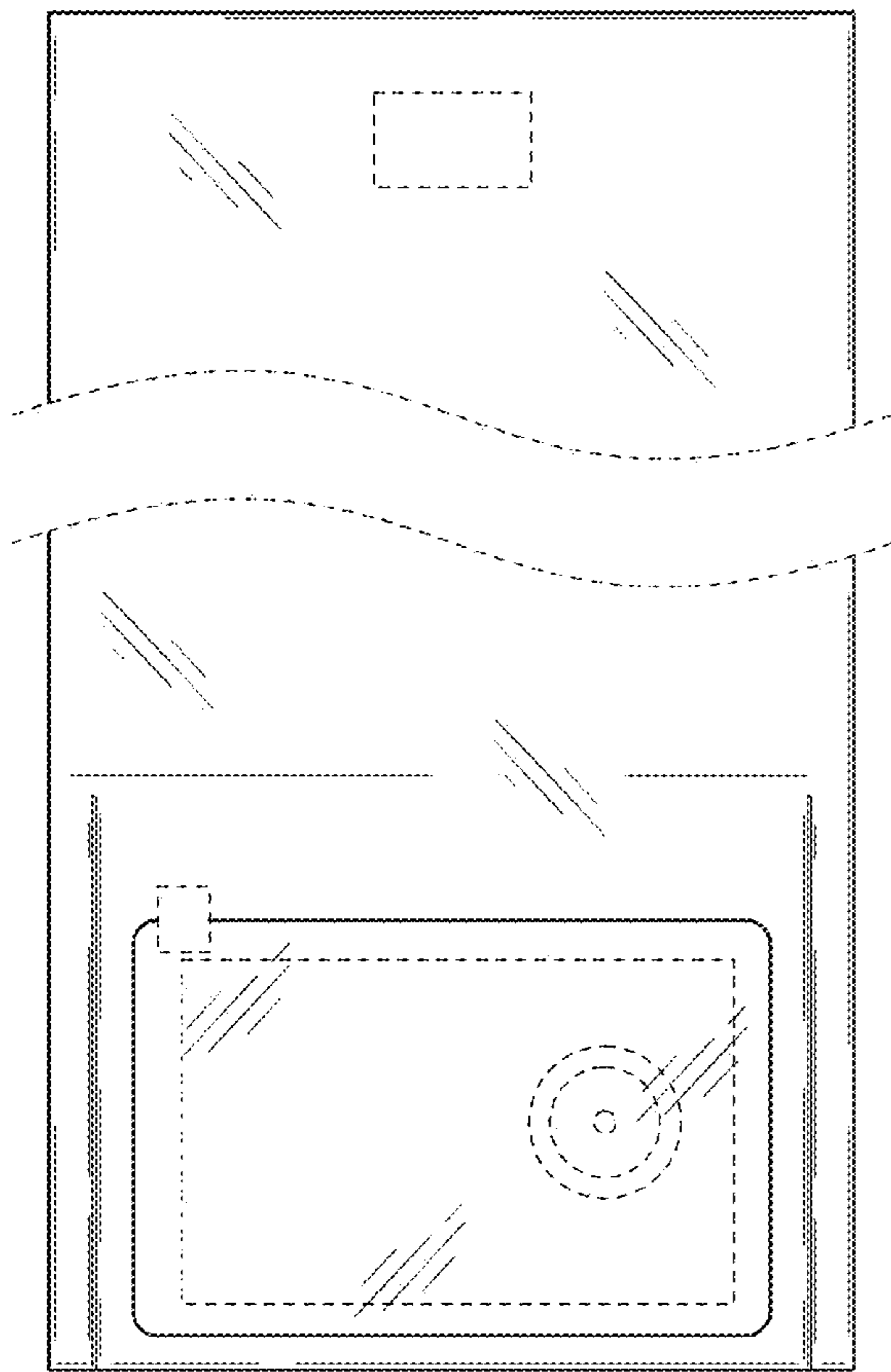


FIG. 2

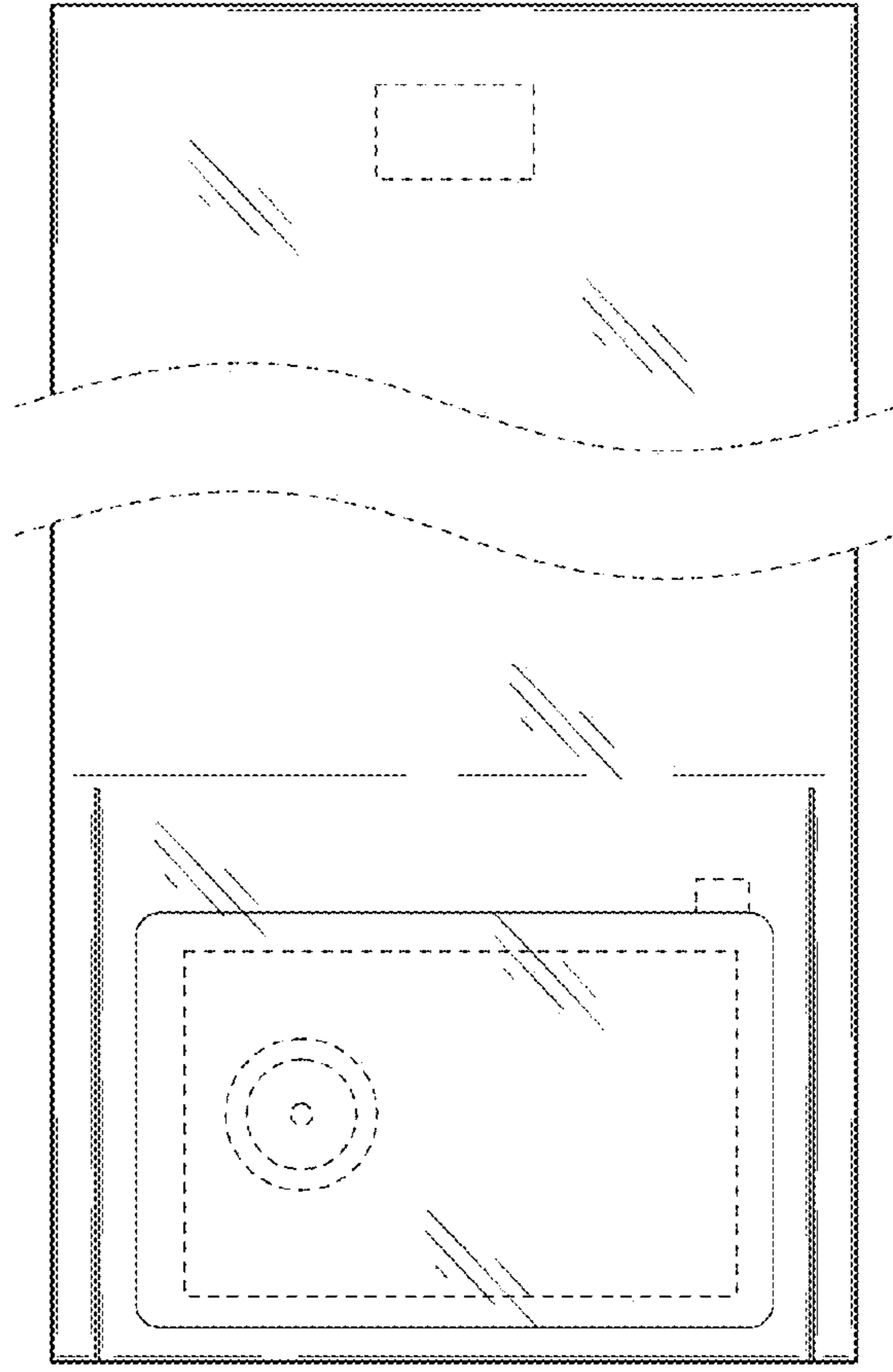


FIG. 3

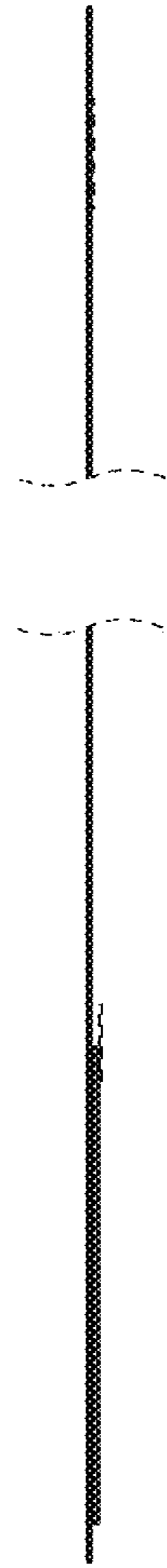


FIG. 4

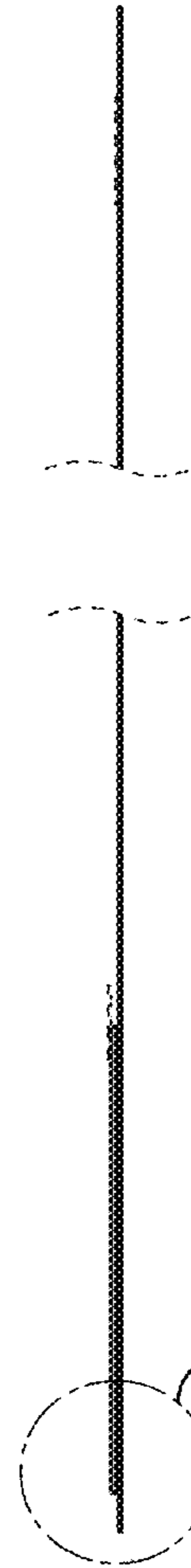


FIG. 8

FIG. 5



FIG. 6



FIG. 7

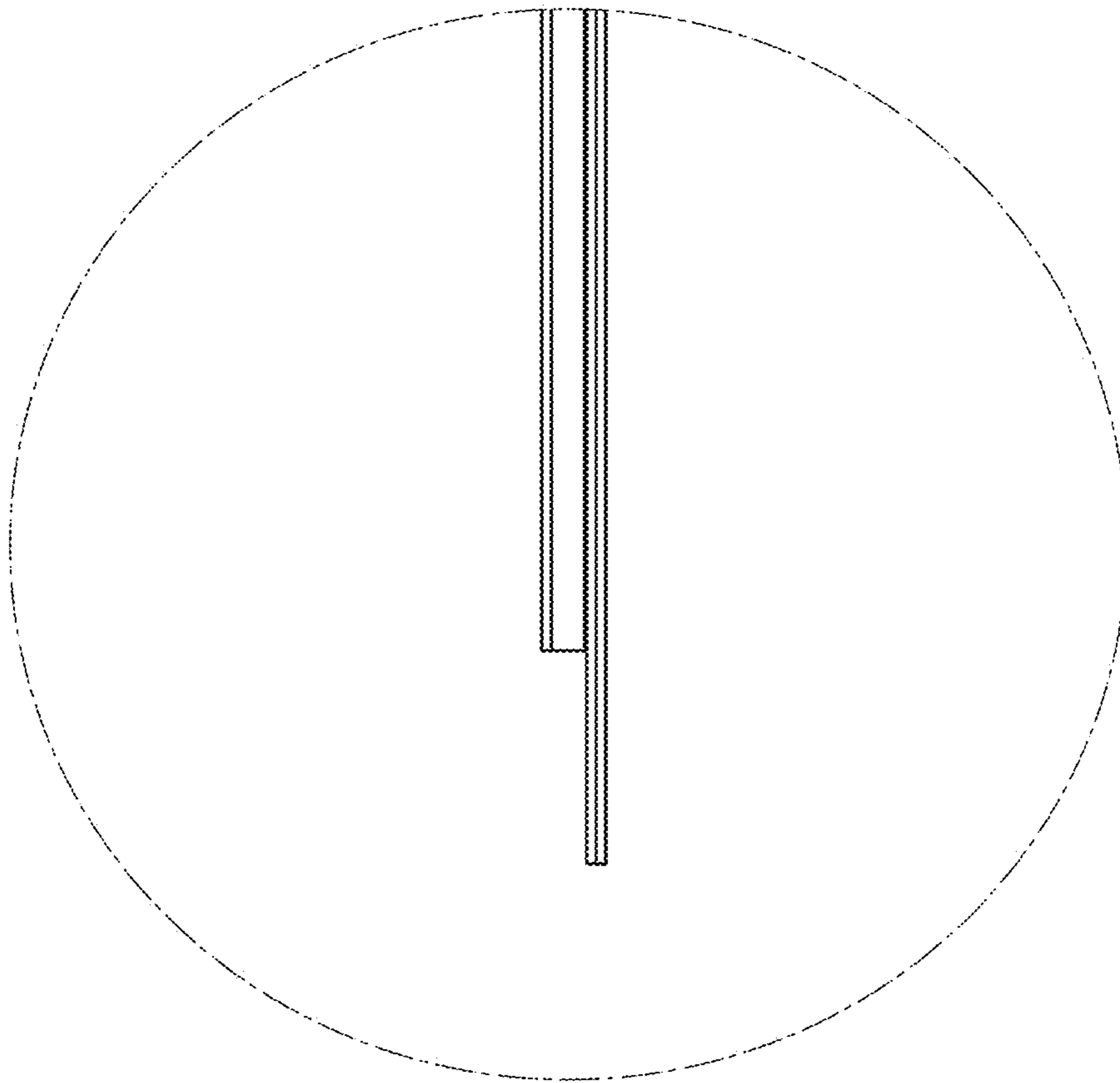


FIG. 8

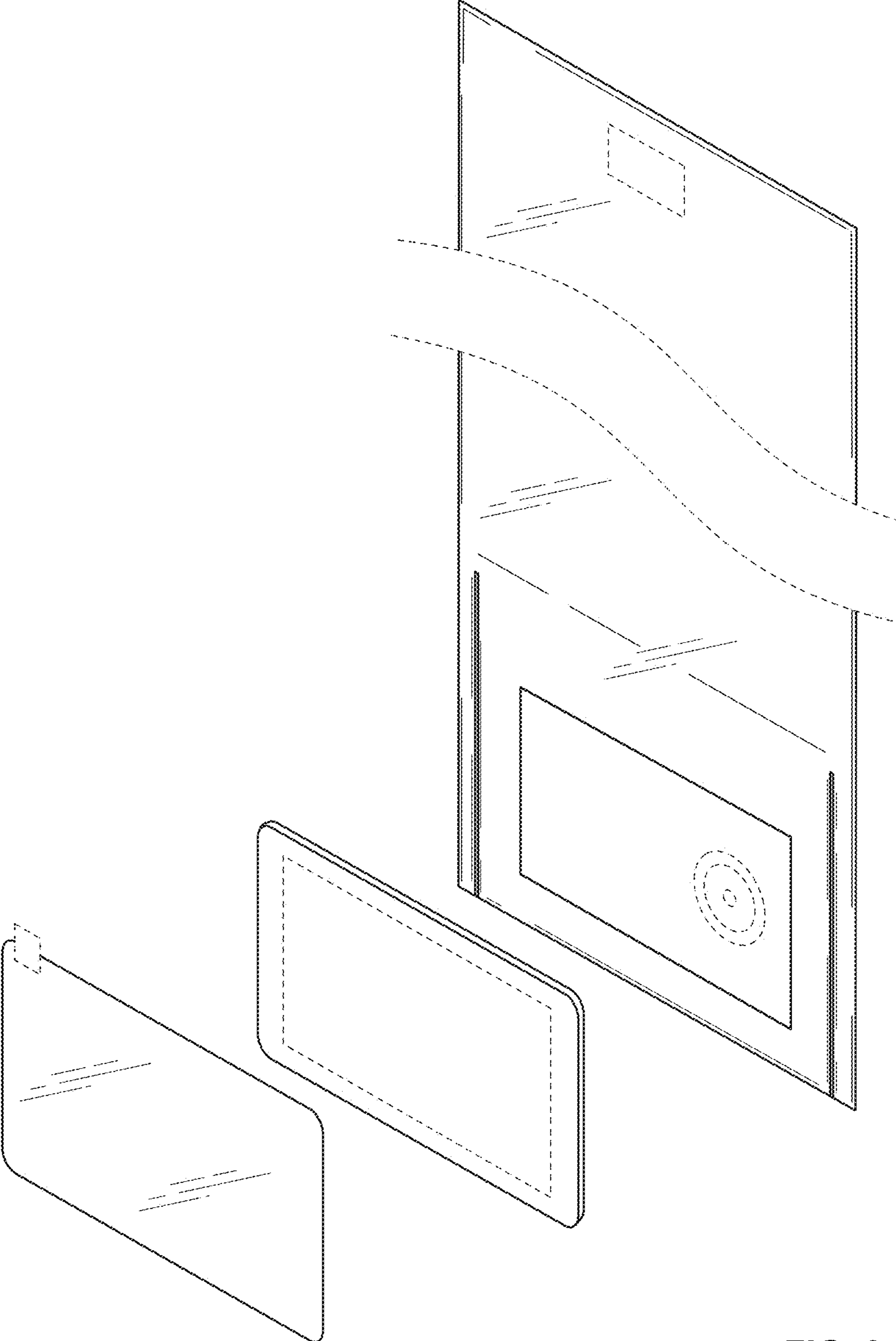


FIG. 9