

US00D941821S

(12) **United States Design Patent** (10) **Patent No.:** **US D941,821 S**
Bagley et al. (45) **Date of Patent:** **** *Jan. 25, 2022**

(54) **MULTIPOINT FOR MAKING OPTICAL CONNECTIONS**

(71) Applicant: **Corning Research & Development Corporation**, Corning, NY (US)

(72) Inventors: **Steven Mardis Bagley**, San Francisco, CA (US); **Robert Bruce Elkins, II**, Hickory, NC (US); **Scott M. Janis**, El Cerrito, CA (US); **Matthew Wallace Peterson**, San Francisco, CA (US); **Joel Christopher Rosson**, Hickory, NC (US); **Dayne Wilcox**, El Cerrito, CA (US)

(73) Assignee: **Corning Research & Development Corporation**, Corning, NY (US)

(*) Notice: This patent is subject to a terminal disclaimer.

(**) Term: **15 Years**

(21) Appl. No.: **29/642,339**

(22) Filed: **Mar. 29, 2018**

Related U.S. Application Data

(63) Continuation-in-part of application No. 29/627,969, filed on Nov. 30, 2017, now Pat. No. Des. 881,132, (Continued)

(51) **LOC (13) Cl.** **14-02**

(52) **U.S. Cl.**
USPC **D14/433**; D13/147

(58) **Field of Classification Search**
USPC D13/123, 133, 146, 147, 152, 154, 156, D13/158, 173, 177, 184, 199; D14/242, D14/433, 434, 435.1, 438; D9/432, 703
CPC G02B 6/38; G02B 6/3853; G02B 6/3861; G02B 6/3885; G02B 6/3893; G02B 6/44; G02B 6/4455; G02B 6/4452; G02B 6/4471;

(Continued)

(56) **References Cited**

U.S. PATENT DOCUMENTS

D275,101 S 8/1984 Read
D362,855 S 10/1995 Bevilacqua et al.
(Continued)

FOREIGN PATENT DOCUMENTS

AU 2014101475 A4 1/2015
CN 305515830 S 12/2019
(Continued)

OTHER PUBLICATIONS

Non-Final Office Action pertaining to U.S. Appl. No. 29/619,925, filed Oct. 3, 2017.

(Continued)

Primary Examiner — Shawn T Gingrich

(74) *Attorney, Agent, or Firm* — Michael E. Carroll, Jr.

(57) **CLAIM**

The ornamental design for a multipoint for making optical connections, as shown and described.

DESCRIPTION

FIG. 1 is a front perspective view of an embodiment of a multipoint for making optical connections showing our new design;

FIG. 2 is a top view thereof of FIG. 1;

FIG. 3 is a bottom view thereof of FIG. 1;

FIG. 4 is a right side view thereof of FIG. 1;

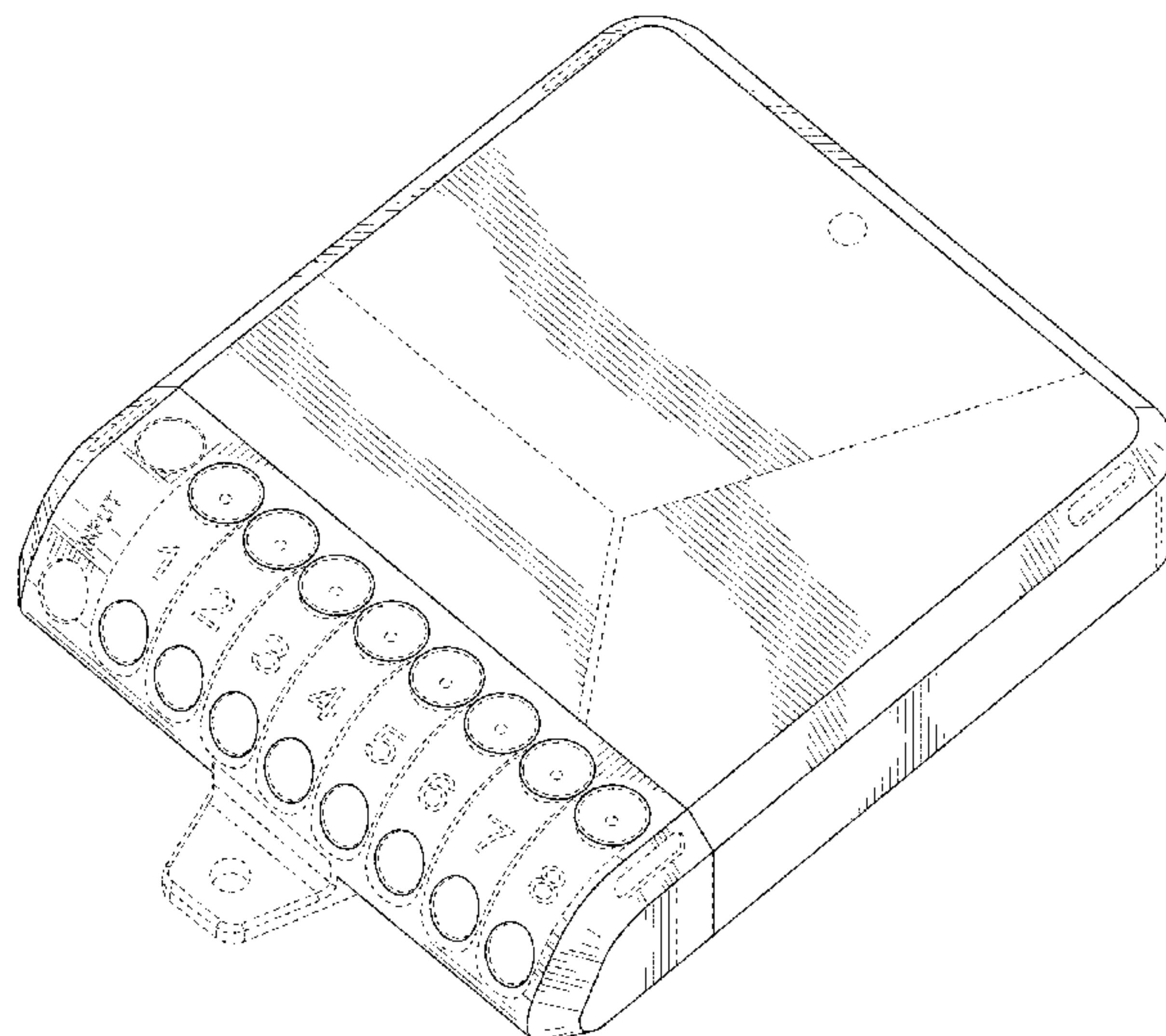
FIG. 5 is a left side view thereof of FIG. 1;

FIG. 6 is a front view thereof of FIG. 1; and,

FIG. 7 is a rear view thereof of FIG. 1.

In FIGS. 1-7, the evenly-spaced broken lines are included for the purpose of illustrating environmental structure and form no part of the claimed design.

1 Claim, 5 Drawing Sheets



Related U.S. Application Data

and a continuation-in-part of application No. 29/619, 925, filed on Oct. 3, 2017, now Pat. No. Des. 878,371.

(58) **Field of Classification Search**

CPC .. G06F 3/00; G06F 5/00; G06F 13/14; H04L 12/2832; H04L 12/2838

See application file for complete search history.

(56) **References Cited**

U.S. PATENT DOCUMENTS

D364,346 S 11/1995 Yamada
 D391,481 S * 3/1998 Oxley D9/432
 D394,864 S 6/1998 Brandt
 D425,021 S 5/2000 Ko
 D482,693 S 11/2003 Nishio et al.
 D486,824 S 2/2004 Chung
 D487,086 S 2/2004 Chung
 D490,403 S 5/2004 Wu et al.
 D549,663 S 8/2007 Tsou et al.
 D559,848 S 1/2008 Siu
 D598,856 S 8/2009 Stromiedel et al.
 D598,857 S 8/2009 Stromiedel et al.
 D604,725 S 11/2009 Chen
 7,614,887 B1 11/2009 Yi et al.
 7,653,282 B2 1/2010 Blackwell, Jr. et al.
 D612,810 S 3/2010 Bender
 D613,693 S 4/2010 Bender
 D623,969 S * 9/2010 Neitzel D10/49
 D628,201 S * 11/2010 Tian D14/434
 8,059,932 B2 11/2011 Hill et al.
 D673,564 S 1/2013 Milliff
 D674,344 S 1/2013 Bies
 D675,106 S 1/2013 Powers et al.
 D676,391 S 2/2013 Gassauer
 D678,286 S 3/2013 Cheng
 D711,884 S 8/2014 Turksu et al.
 8,801,297 B2 8/2014 McColloch
 D716,304 S 10/2014 Orthey
 D724,079 S 3/2015 Probst et al.
 D732,041 S 6/2015 Conn et al.
 D739,822 S 9/2015 Severing
 D740,828 S 10/2015 Bucsa
 D750,023 S 2/2016 Sasano
 D753,596 S 4/2016 Bies
 D753,598 S 4/2016 Bies
 D756,302 S 5/2016 Chen et al.
 9,354,397 B2 5/2016 Bylander et al.
 D769,246 S 10/2016 Mielnik et al.
 D785,632 S 5/2017 Vanduynt et al.
 D788,112 S 5/2017 Liao
 D791,138 S 7/2017 Eliyahu
 D791,774 S 7/2017 Wilcox et al.
 D794,028 S 8/2017 Lin
 D794,478 S 8/2017 Read et al.
 D795,079 S 8/2017 Wilcox et al.
 D796,514 S 9/2017 Xu
 D797,747 S 9/2017 Xu
 D802,415 S 11/2017 Wilcox et al.
 D808,915 S 1/2018 Wang
 D810,693 S 2/2018 Rao et al.
 9,899,752 B2 2/2018 Wu et al.
 D813,874 S 3/2018 Magi et al.
 D815,642 S 4/2018 Wilcox et al.
 D818,952 S 5/2018 Wilcox et al.
 D818,953 S 5/2018 Xu
 D824,335 S 7/2018 Wilcox et al.
 D824,337 S 7/2018 Wilcox et al.
 D825,475 S 8/2018 Henley et al.
 D825,540 S 8/2018 Wilcox et al.
 D828,814 S 9/2018 Senofsky et al.
 D835,049 S 12/2018 Wilcox et al.
 D835,050 S 12/2018 Wilcox et al.
 D835,086 S 12/2018 Wilcox et al.
 D837,216 S * 1/2019 Bagley D14/433
 D837,788 S * 1/2019 Bagley D14/433

D837,789 S 1/2019 Woody
 D839,210 S 1/2019 Wilcox et al.
 D841,583 S 2/2019 Spiegel
 D842,815 S 3/2019 Senofsky et al.
 D848,369 S 5/2019 Stolze
 D853,334 S 7/2019 Mastel
 10,379,298 B2 8/2019 Dannoux et al.
 D859,189 S 9/2019 Mendoza et al.
 D862,394 S 10/2019 Hernandez et al.
 D872,012 S 1/2020 Rao
 D878,370 S * 3/2020 Bagley D14/433
 D878,371 S * 3/2020 Bagley D14/433
 D878,372 S * 3/2020 Bagley D14/433
 10,585,256 B1 3/2020 Henley et al.
 D881,132 S * 4/2020 Bagley D13/146
 10,641,967 B1 * 5/2020 Cote G02B 6/4471
 D888,060 S * 6/2020 Cote D14/433
 D893,432 S 8/2020 Murphy et al.
 10,809,480 B1 * 10/2020 Cox G02B 6/4452
 D909,976 S 2/2021 Bonner et al.
 D913,246 S * 3/2021 Rosson D13/146
 2011/0250803 A1 10/2011 Bies
 2012/0328258 A1 12/2012 Barron et al.
 2013/0259429 A1 10/2013 Czosnowski et al.
 2014/0021621 A1 8/2014 Barnette, Jr. et al.
 2014/0219621 A1 8/2014 Barnette et al.
 2015/0268436 A1 9/2015 Blackwell, Jr. et al.
 2015/0316738 A1 11/2015 McPhil Giraud et al.
 2015/0355428 A1 12/2015 Leeman et al.
 2017/0153399 A1 6/2017 Rodriguez
 2018/0157002 A1 6/2018 Bishop et al.
 2019/0004251 A1 1/2019 Dannoux et al.
 2019/0004252 A1 1/2019 Rosson
 2019/0004255 A1 1/2019 Dannoux et al.
 2019/0004258 A1 1/2019 Dannoux et al.
 2019/0129116 A1 5/2019 Henley et al.
 2019/0339460 A1 * 11/2019 Dannoux G02B 6/3831
 2019/0353863 A1 11/2019 Schneider et al.
 2020/0049922 A1 * 2/2020 Rosson G02B 6/4444
 2020/0132957 A1 4/2020 Beri et al.
 2020/0174201 A1 6/2020 Cote et al.
 2020/0233168 A1 * 7/2020 Ruda G02B 6/4455
 2021/0033811 A1 2/2021 Dannoux et al.
 2021/0072479 A1 3/2021 Ward
 2021/0096317 A1 4/2021 Ripumaree et al.
 2021/0141182 A1 * 5/2021 Ward G02B 6/4452
 2021/0141184 A1 * 5/2021 Krampotich G02B 6/4455
 2021/0181443 A1 * 6/2021 Zhou G02B 6/4446
 2021/0247583 A1 * 8/2021 Elkins, II G02B 6/4471

FOREIGN PATENT DOCUMENTS

CN 305515831 S 12/2019
 WO 2014123940 A1 8/2014
 WO 2019/005190 A2 1/2019
 WO 2019/005191 A1 1/2019
 WO 2019/005192 A1 1/2019
 WO 2019/005193 A1 1/2019
 WO 2019/005194 A1 1/2019
 WO 2019/005195 A1 1/2019
 WO 2019/005196 A1 1/2019
 WO 2019/005197 A1 1/2019
 WO 2019/005198 A1 1/2019
 WO 2019/005199 A1 1/2019
 WO 2019/005200 A1 1/2019
 WO 2019/005201 A1 1/2019
 WO 2019/005202 A1 1/2019
 WO 2019/005203 A1 1/2019
 WO 2019/005204 A1 1/2019

OTHER PUBLICATIONS

“Corning’s New Jumper In A Box Packaging Solution”, posted on Youtube.com on Jul. 20, 2016, available at <https://www.youtube.com/watch?v=XUNYr-XAbVc>, (last accessed Jun. 4, 2019).
 Corning’s New Jumper In A Box Packaging Solution, dated Jul. 20, 2016, [online], [site visited Dec. 14, 2018]. Available from Internet,

(56)

References Cited

OTHER PUBLICATIONS

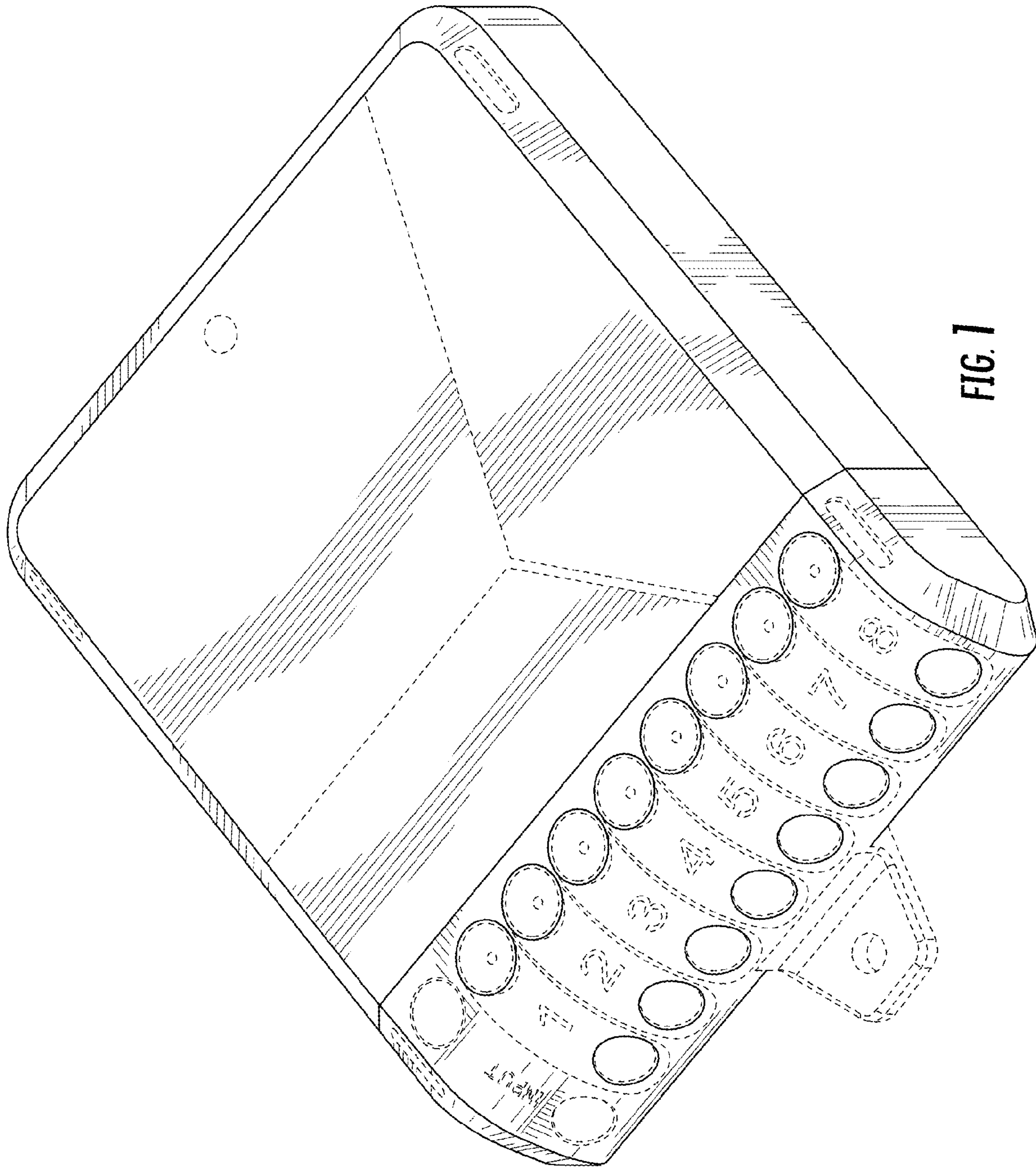
<URL: <https://www.youtube.com/watch?v=XUNYr-XAbVe>> (Year: 2016).

E Catalog Corning. OptiSheath® Multipurpose Enclosure. No Date Specified. <https://ecatalog.corning.com/optical-communications/CALA/en/closures/Fiber-Optic-Closures/OptiSheath%C2%AE-Multipurpose-Enclosure/p/optisheath-multipurpose-enclosure?clear=true>.

Multiports. (Design—(Copyrights) Questel) orbit.com. [Online PDF compilation of references selected by examiner] 32 pgs. Print Dates Range Dec. 16, 2019-Nov. 5, 2019 [Retrieved Mar. 2, 2021] <https://www.orbit.com/export/UCZAH96B/pdf4/51722d28-a125-44ac-8fcf-9bcc531e5048-200453.pdf> (Year: 2021).

Optical Communications, “OptiSheath Multipurpose Enclosure”, Available Online at <<https://ecatalog.corning.com/optical-communications/CALA/en/Closures/Fiber-Optic-Closures/OptiSheath%C2%AE-Multipurpose-Enclosure/p/optisheath-multipurpose-enclosure?clear=true>>, 2019, 2 pages.

* cited by examiner



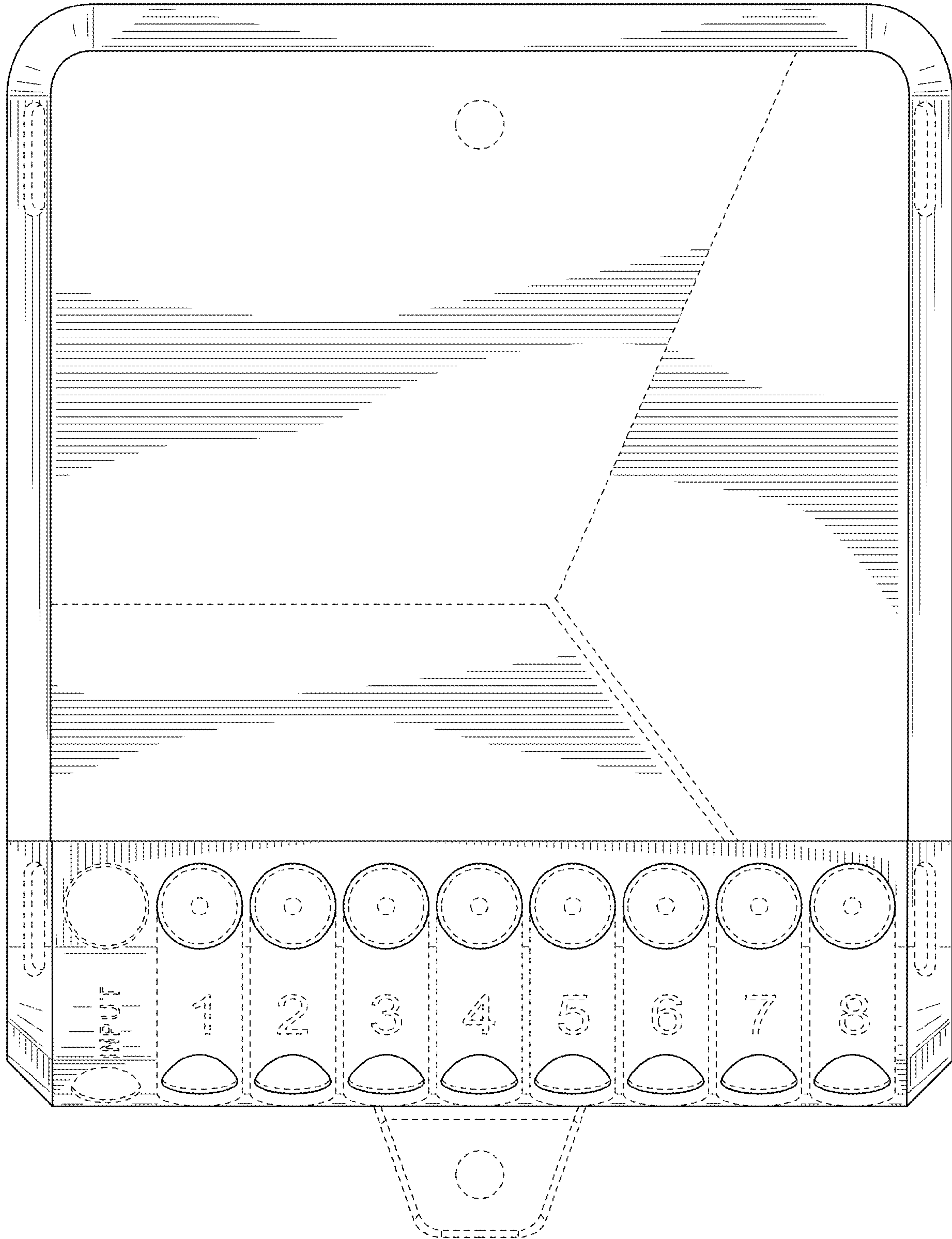


FIG. 2

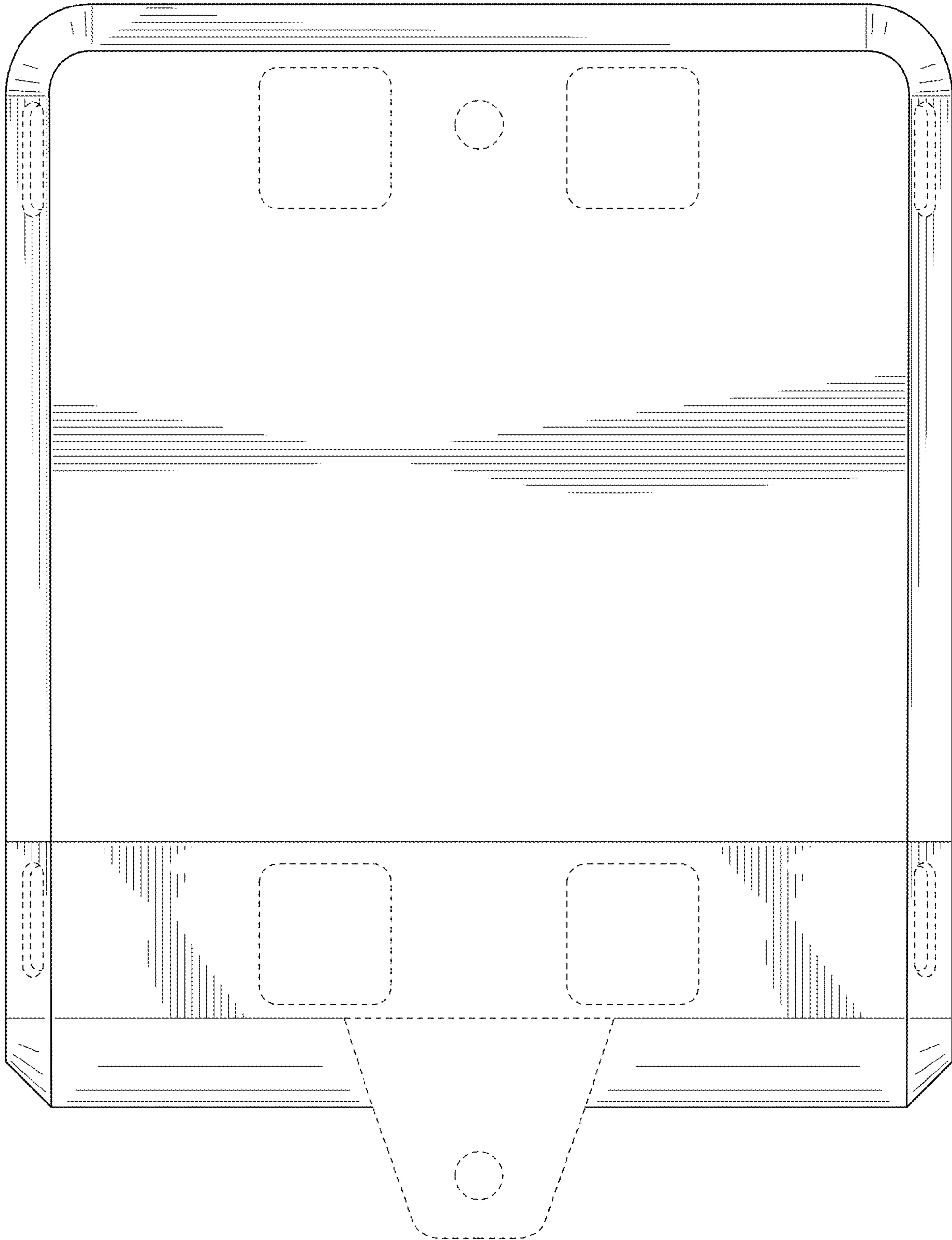


FIG. 3

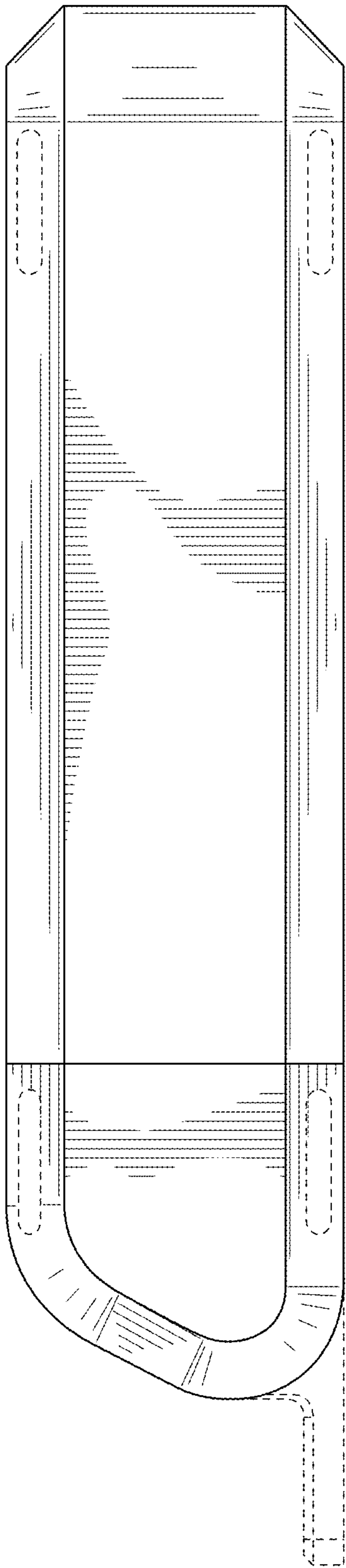


FIG. 4

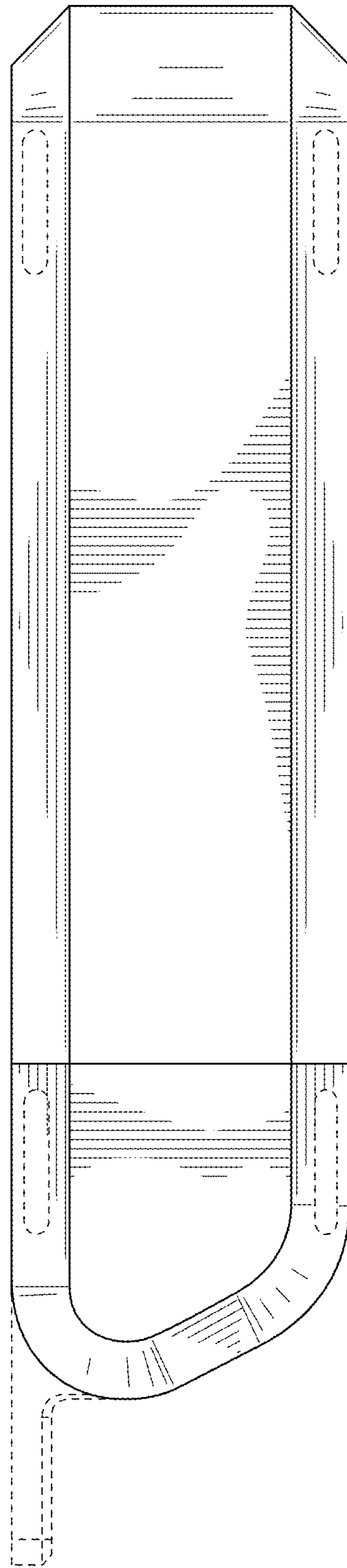


FIG. 5

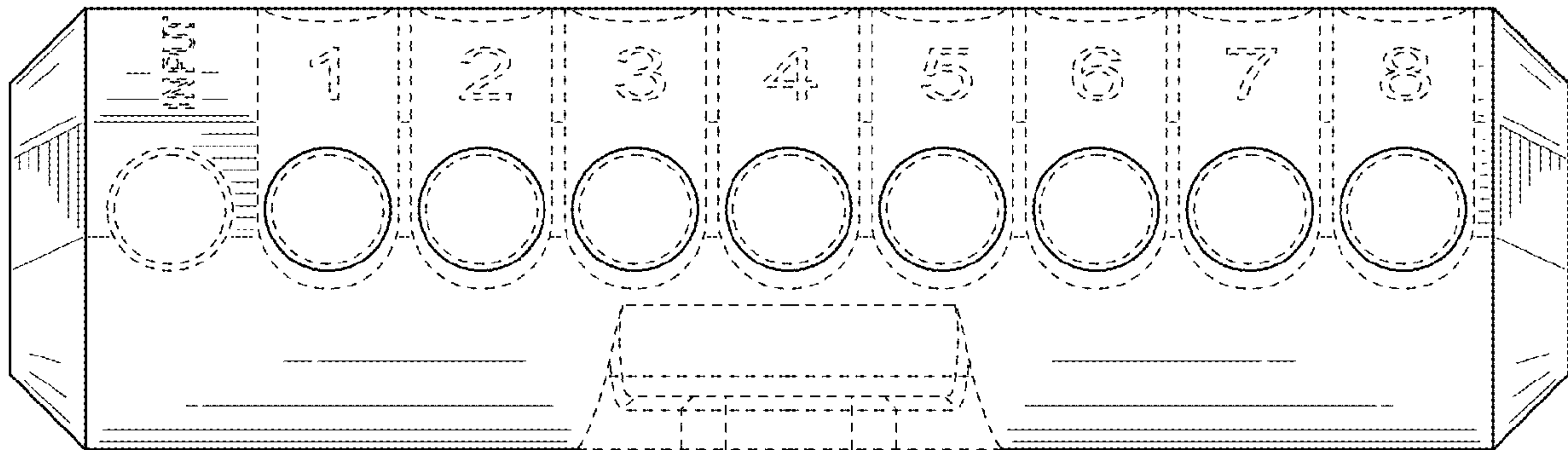


FIG. 6

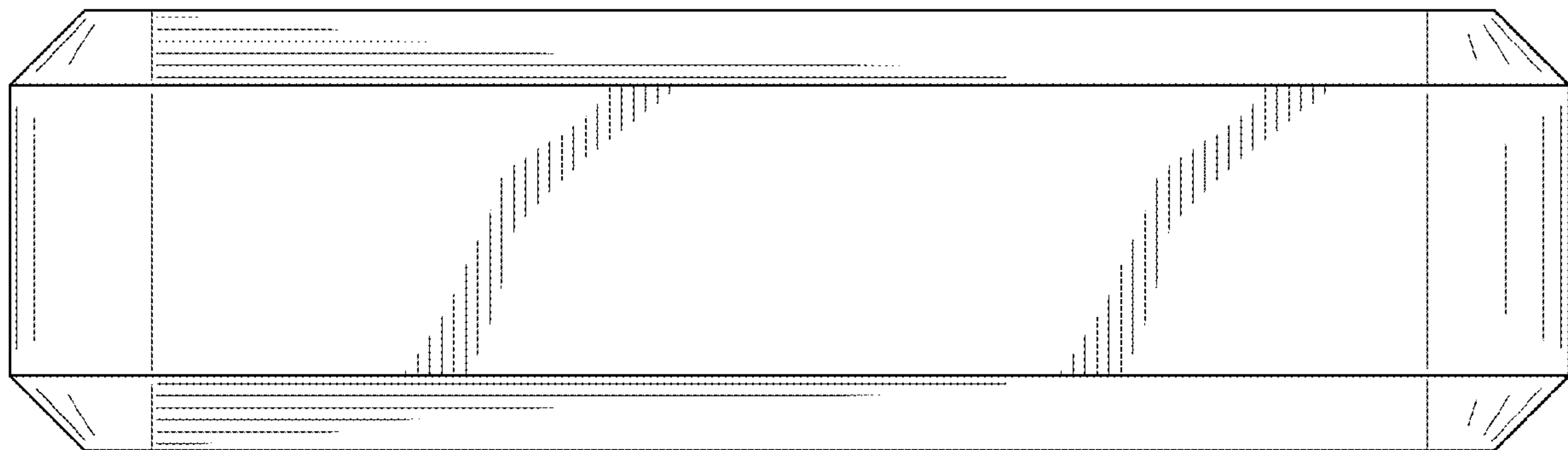


FIG. 7

UNITED STATES PATENT AND TRADEMARK OFFICE
CERTIFICATE OF CORRECTION

PATENT NO. : D941,821 S
APPLICATION NO. : 29/642339
DATED : January 25, 2022
INVENTOR(S) : Bagley et al.

Page 1 of 1


It is certified that error appears in the above-identified patent and that said Letters Patent is hereby corrected as shown below:

On the Title Page

Item (56), in Column 2, under "Foreign Patent Documents", Line 1, delete "2014101475" and insert -- 2014101479 --.

On the page 3, item (56), in Column 1, under "Other Publications", Line 1, delete "XAbVe" and insert -- XAbVc --.

On the page 3, item (56), in Column 1, under "Other Publications", Line 10, should read Dec. 16, 2015-Nov. 5, 2019.

Signed and Sealed this
Nineteenth Day of July, 2022

Katherine Kelly Vidal
Director of the United States Patent and Trademark Office