

US00D941820S

(12) **United States Design Patent**
Chen

(10) **Patent No.:** **US D941,820 S**
(45) **Date of Patent:** **** Jan. 25, 2022**

(54) **ELECTRONIC PANEL WITH FINGERPRINT**

(56)

References Cited

(71) Applicant: **Ningbo Yinzhou Runping Trading Co., Ltd.**, Ningbo OT (CN)

(72) Inventor: **Xuan Chen**, Ningbo (CN)

(73) Assignee: **Ningbo Yinzhou Runping Trading Co., Ltd.**, Ningbo (CN)

(**) Term: **15 Years**

(21) Appl. No.: **29/696,502**

(22) Filed: **Jun. 28, 2019**

(51) **LOC (13) Cl.** **14-02**

(52) **U.S. Cl.**
USPC **D14/384**; D14/383

(58) **Field of Classification Search**
USPC D14/300–302, 313, 314, 341, 348–370, D14/383, 385, 432, 436, 496, 125, 135, D14/134, 155, 167, 168, 230, 231, 233, D14/235, 237, 240–242, 299; D10/65, D10/75, 78; D13/103, 149, 162, 184, D13/199; D18/4.4–4.6, 12.1, 56; 361/679.31–679.45, 752; 711/100, 115; 382/115, 124; 356/71; 235/380, 461, 235/382, 472.01, 472.02; D3/201, 273
CPC G06K 9/00006; G06K 7/0013; G06K 9/00026; G06F 21/00; G06Q 30/00
See application file for complete search history.

U.S. PATENT DOCUMENTS

D382,862 S *	8/1997	Nakayama	D14/384
D516,069 S *	2/2006	Kuroda	D14/384
D522,510 S *	6/2006	Su	D14/384
D593,559 S *	6/2009	Lin	D14/384
D741,862 S *	10/2015	Beroukhim	D14/384
D838,271 S *	1/2019	Kaneko	D14/384
D890,177 S *	7/2020	Mikami	D14/384
D890,753 S *	7/2020	Iasso	D14/384
D892,796 S *	8/2020	Paul	H05K 5/0226
			D14/384
D894,183 S *	8/2020	Min	D14/384
D915,403 S *	4/2021	Iasso	D14/384

* cited by examiner

Primary Examiner — Austin Murphy

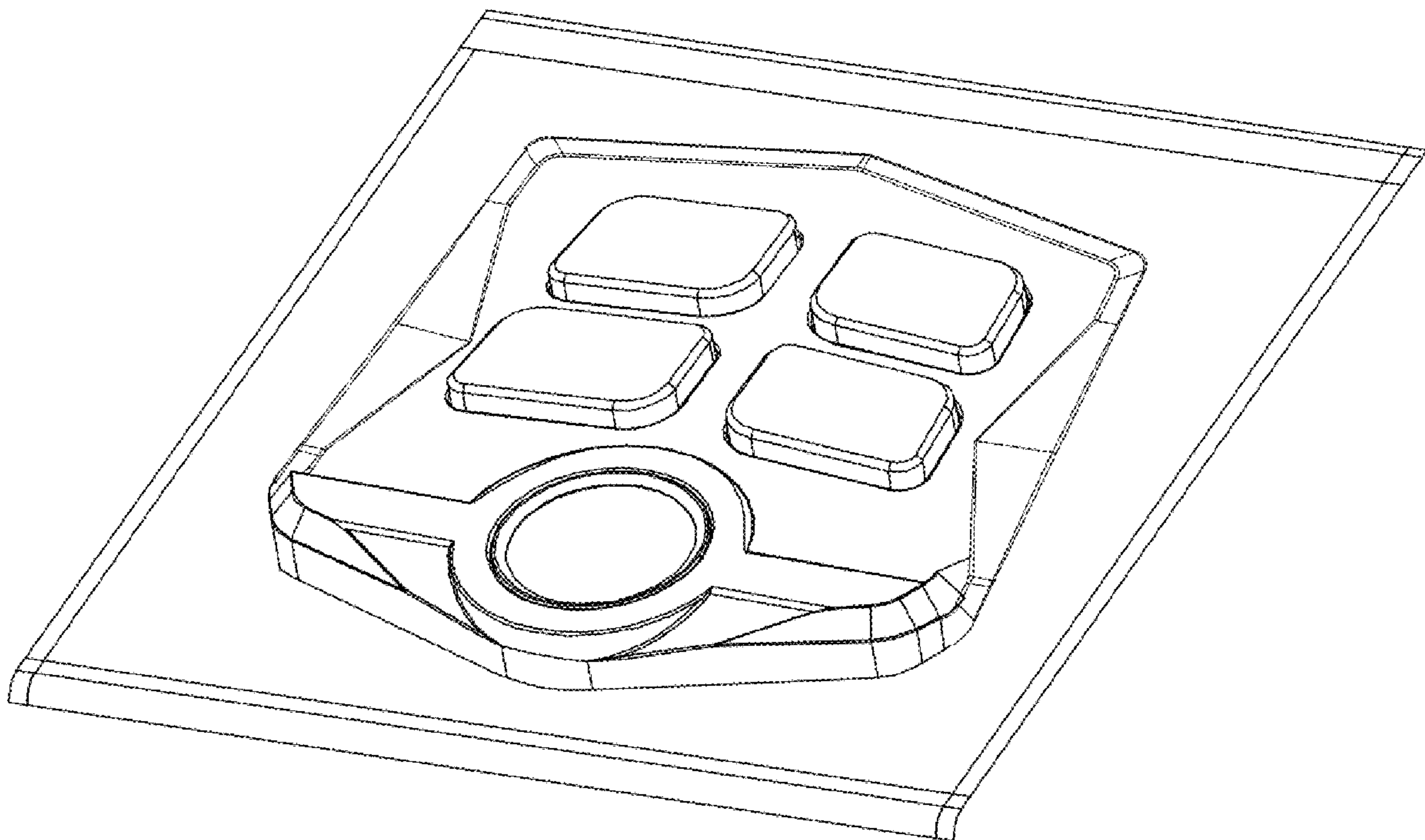
(57) **CLAIM**

The ornamental design for the electronic panel with fingerprint, as shown and described.

DESCRIPTION

FIG. 1 is a top plan view of the electronic panel with fingerprint showing my new design;
FIG. 2 is a bottom plan view thereof;
FIG. 3 is a right side plan view thereof;
FIG. 4 is a left side plan view thereof;
FIG. 5 is a front plan view thereof;
FIG. 6 is a rear plan view thereof; and,
FIG. 7 is a front perspective view thereof.

1 Claim, 7 Drawing Sheets



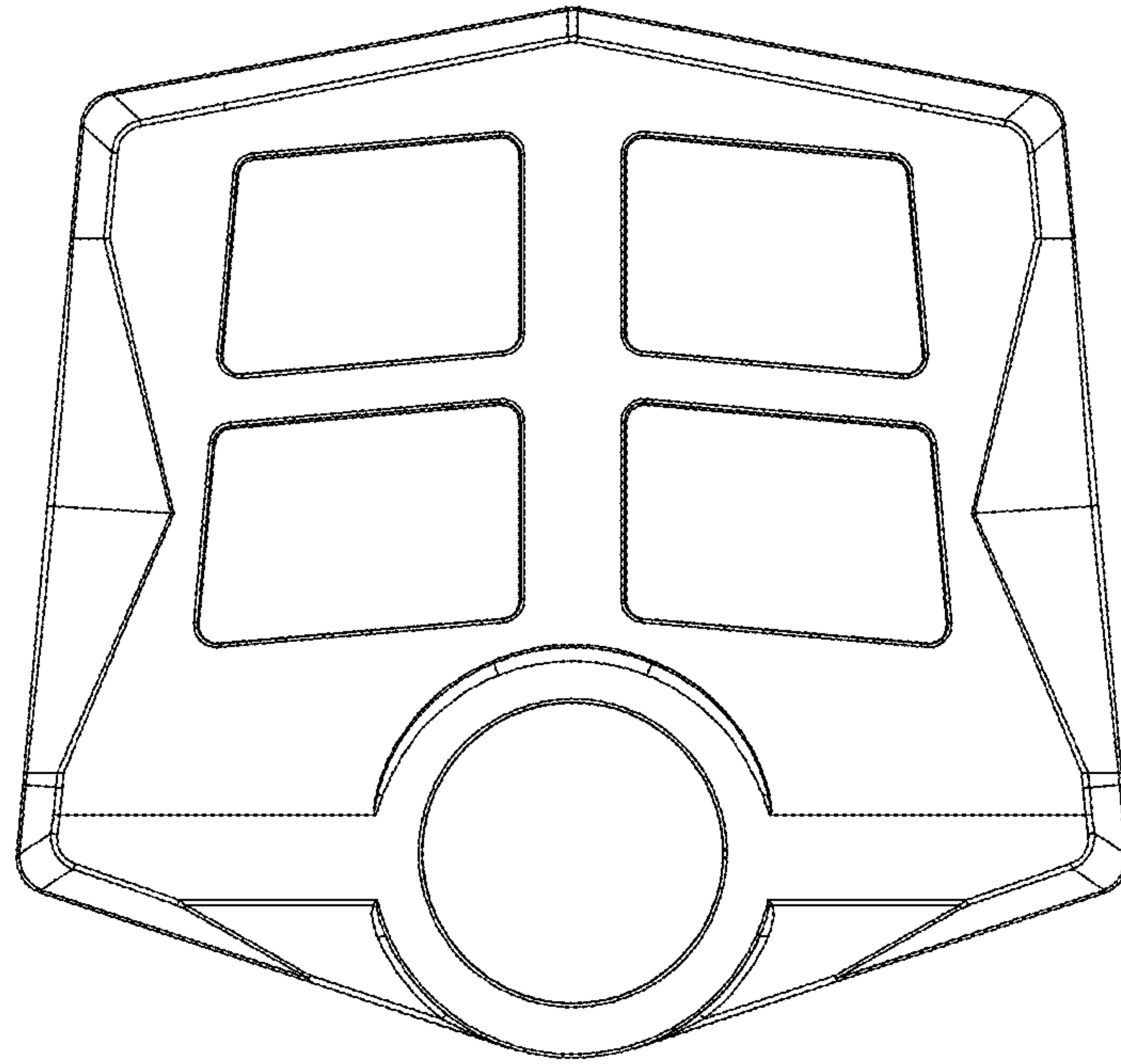


Fig. 1

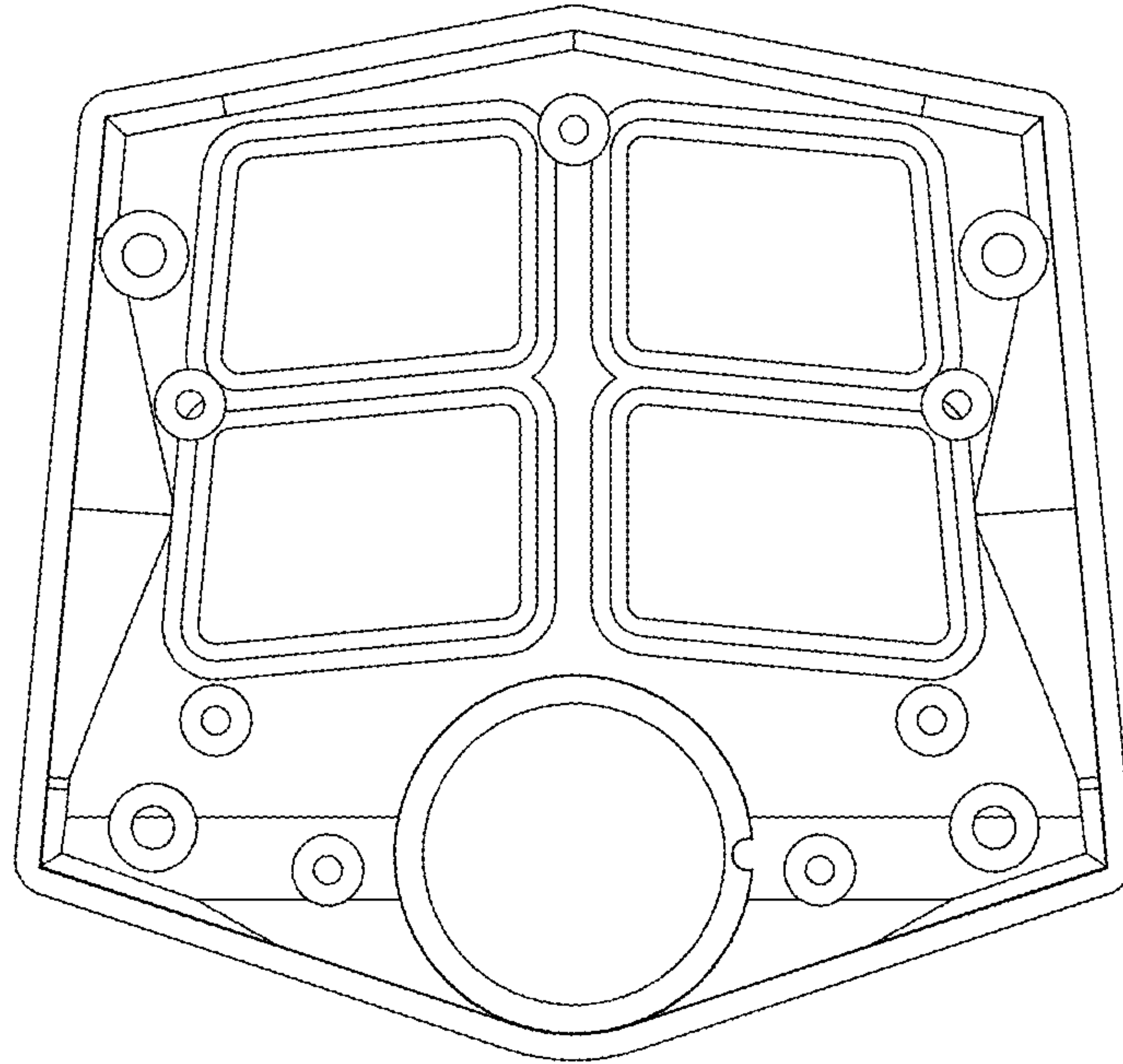


Fig.2

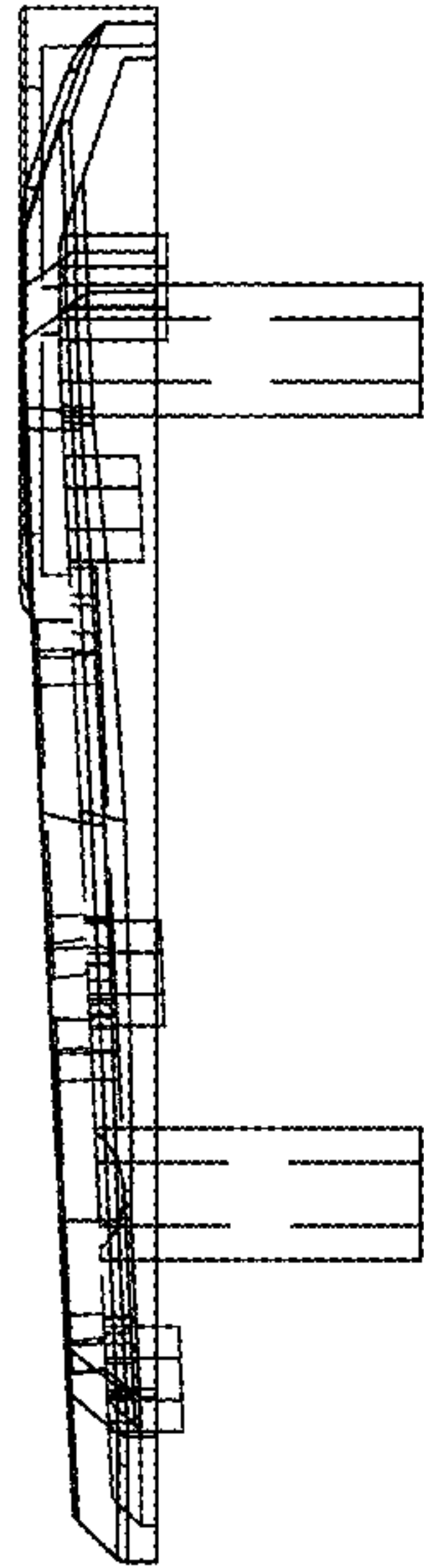


Fig.3

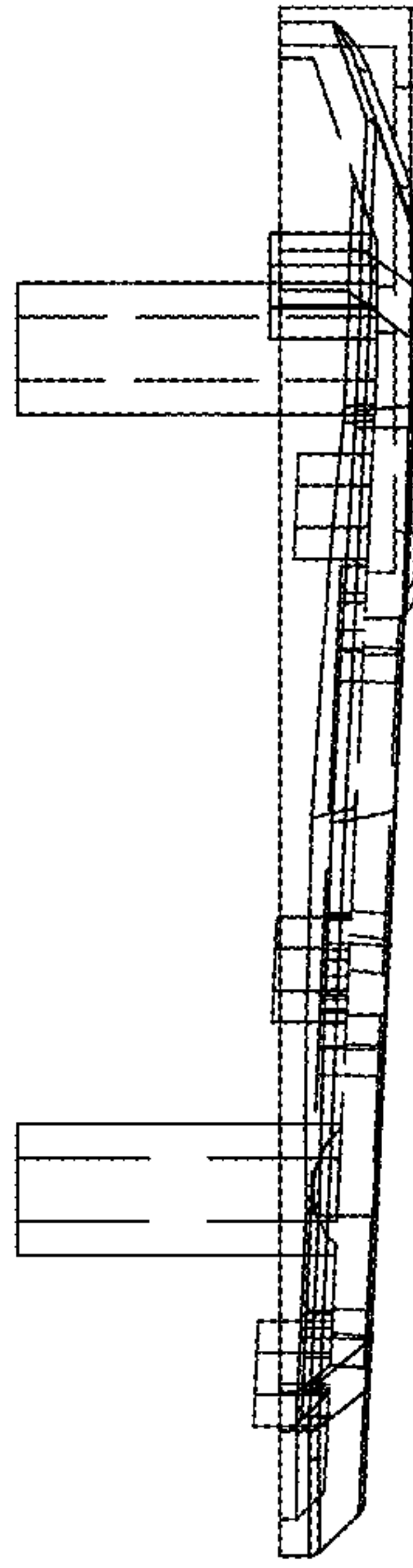


Fig.4

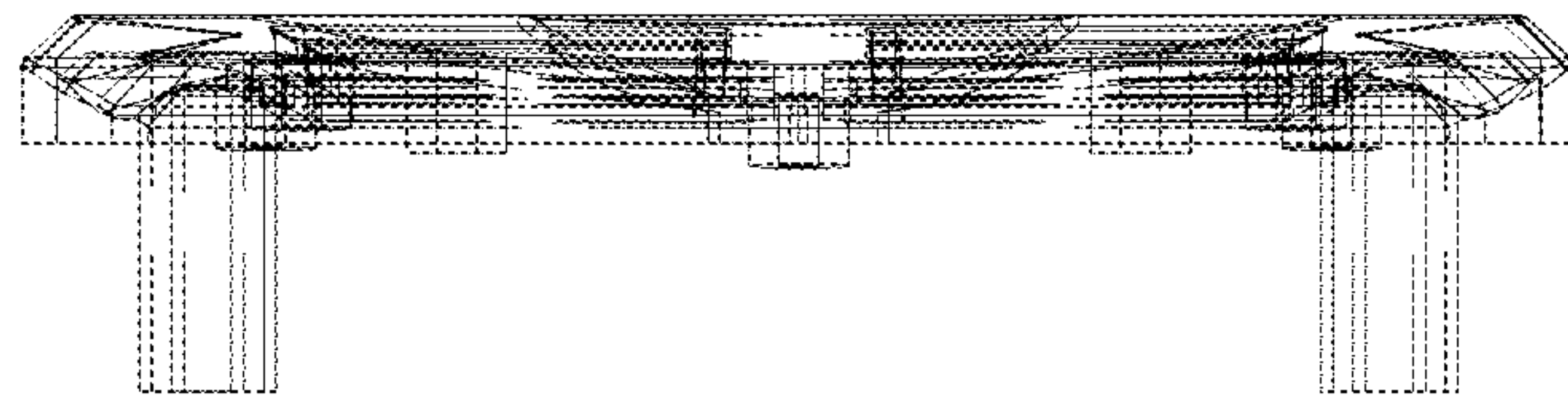


Fig.5

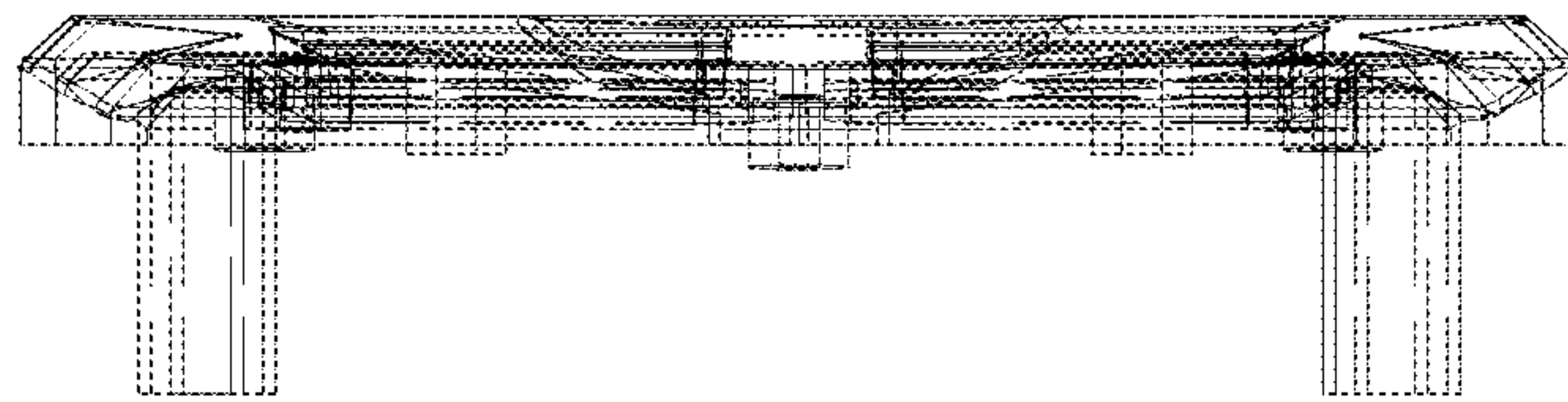


Fig.6

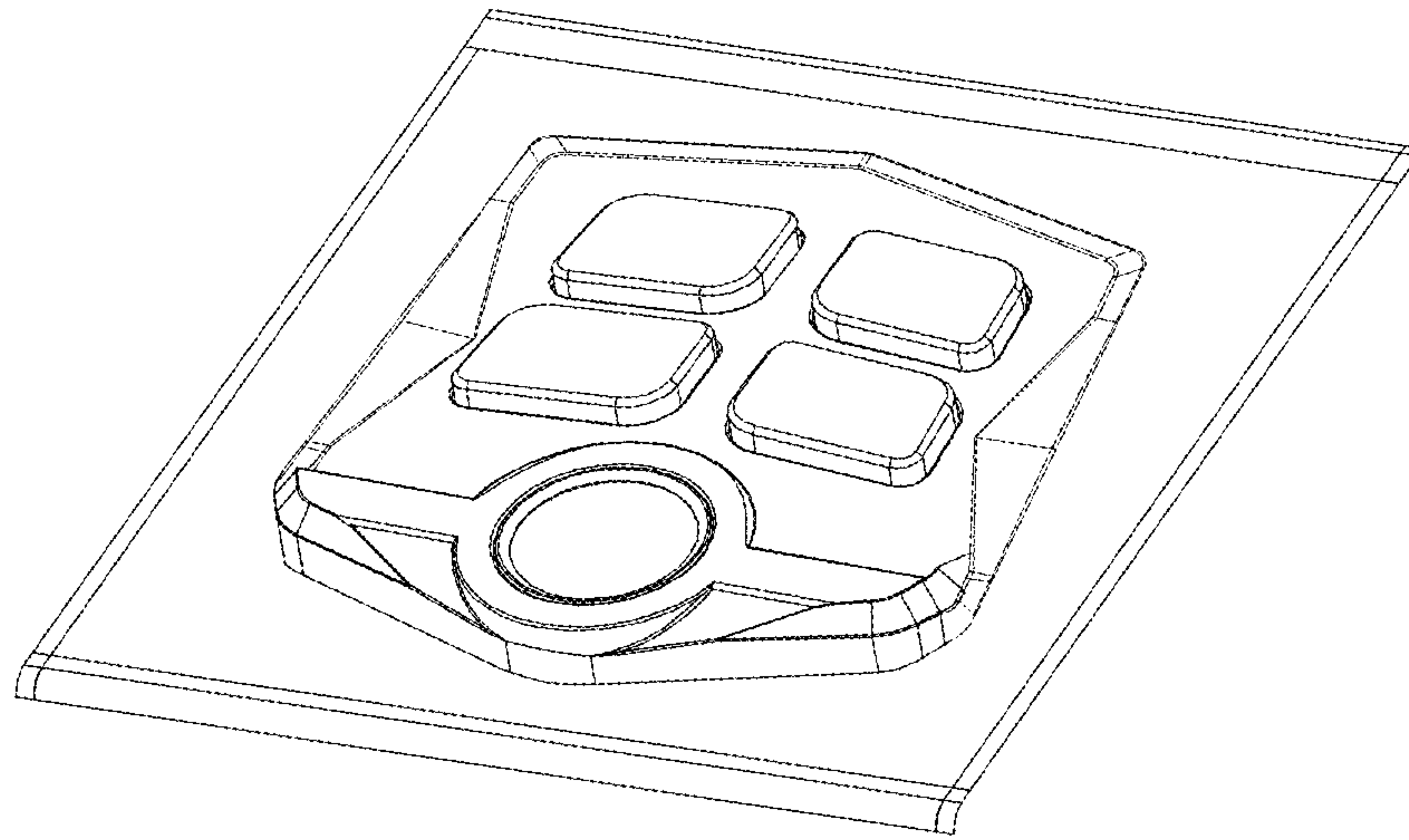


Fig. 7