



US00D941819S

(12) **United States Design Patent** (10) **Patent No.:** **US D941,819 S**
Benedikter (45) **Date of Patent:** **** *Jan. 25, 2022**

(54) **MONITOR**

(71) Applicant: **KONINKLIJKE PHILIPS N.V.**,
Eindhoven (NL)

(72) Inventor: **Fabian Benedikter**, Boeblingen (DE)

(73) Assignee: **KONINKLIJKE PHILIPS N.V.**,
Eindhoven (NL)

(*) Notice: This patent is subject to a terminal disclaimer.

(**) Term: **15 Years**

(21) Appl. No.: **29/721,892**

(22) Filed: **Jan. 24, 2020**

(30) **Foreign Application Priority Data**

Jul. 24, 2019 (EM) 006644670

(51) **LOC (13) Cl.** **14-02**

(52) **U.S. Cl.**
USPC **D14/374**

(58) **Field of Classification Search**
USPC D14/300, 305-307, 314, 336, 373,
D14/375-376, 448, 450-451, 900-902,
D14/126-127, 371, 203.8, 209.1, 302,
D14/374; 40/406, 427; D20/39, 41-42;
345/1.1, 1.3; 211/180, 207; 248/122.1,
248/124.1, 220.21; 705/14.37-14.38,
705/14.65, 16, 26.1; 348/150-151;
D24/107-108, 163, 177-179, 186
CPC ... E04H 1/1227; E04H 1/1272; E04H 1/1222;
G09F 13/00; G09F 9/00; G09F 9/3023;
G09F 9/3026; G09F 15/00; G06F 1/20;
G06F 1/1601

See application file for complete search history.

(56) **References Cited**

U.S. PATENT DOCUMENTS

D451,535 S * 12/2001 Lee D18/4.6
D491,270 S * 6/2004 Barker D24/186

D532,791 S * 11/2006 Kim D14/203.7
D552,741 S * 10/2007 Zhou D24/186
D636,769 S * 4/2011 Wood D14/341
D654,074 S * 2/2012 Wood D14/341
D667,397 S * 9/2012 Koh D14/341

(Continued)

FOREIGN PATENT DOCUMENTS

CN 303331508 * 8/2015
CN 303741122 * 7/2016

(Continued)

OTHER PUBLICATIONS

IntelliVue MX850 Bedside Patient Monitor, Philips, usa.philips.com, author and date not listed © 2004-2020 Koninklijke Philips N.V., online, site visited Dec. 7, 2020. Available from Internet, URL: <https://www.usa.philips.com/healthcare/product/HC866470/intellivue-mx850-bedside-patient-monitor> (Year: 2020).*

Primary Examiner — Holly E Thurman
Assistant Examiner — Altaira J Swangin

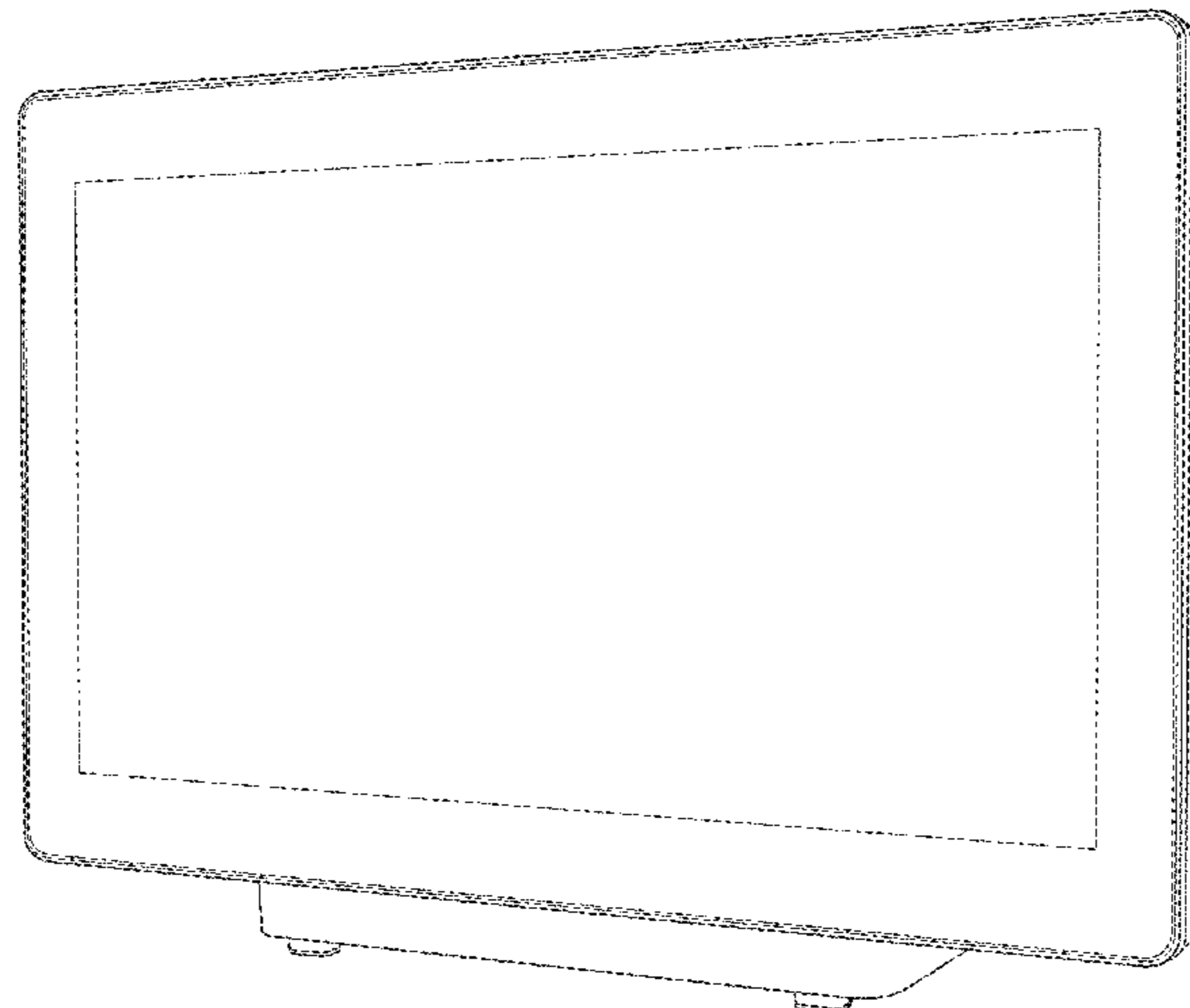
(57) **CLAIM**

The ornamental design for a monitor, as shown.

DESCRIPTION

FIG. 1 is a perspective view showing my design;
FIG. 2 is a front elevational view thereof;
FIG. 3 is a rear elevational view thereof;
FIG. 4 is a right side elevational view thereof;
FIG. 5 is a left side elevational view thereof;
FIG. 6 is a top plan view thereof;
FIG. 7 is a rear right perspective view thereof; and,
FIG. 8 is a bottom plan view thereof.
The broken lines illustrate portions of the monitor that form no part of the claimed design.

1 Claim, 5 Drawing Sheets



(56)

References Cited

U.S. PATENT DOCUMENTS

D671,514 S * 11/2012 Kim D14/138 G
 D684,968 S * 6/2013 Smith D14/341
 D694,211 S * 11/2013 Yuu D14/138 G
 D697,506 S * 1/2014 Bianco D14/336
 D707,676 S * 6/2014 Azuma D14/385
 D729,793 S * 5/2015 Hickok D14/336
 D734,856 S * 7/2015 Weichert D24/186
 D734,857 S * 7/2015 Weichert D24/186
 D734,858 S * 7/2015 Weichert D24/186
 D734,859 S * 7/2015 Weichert D24/186
 D735,344 S * 7/2015 Weichert D24/186
 9,137,478 B2 * 9/2015 Yokote G06F 1/1601
 9,146,587 B2 * 9/2015 Horii G06F 1/1681
 D744,433 S * 12/2015 Baumgartner D13/162
 D778,277 S * 2/2017 Haller D14/336
 D794,630 S * 8/2017 Pendse D14/341
 D808,960 S * 1/2018 Chan D14/341
 D836,580 S * 12/2018 Ostensen D14/126
 D854,166 S * 7/2019 Wang D24/186

D876,431 S * 2/2020 Pendse D14/341
 D895,123 S * 9/2020 He D24/186
 D900,807 S * 11/2020 Nishizawa D14/341
 D901,695 S * 11/2020 Zhou D24/186
 D905,249 S * 12/2020 He D24/185
 D925,517 S * 7/2021 Ushery, Jr. D14/307
 D927,439 S * 8/2021 McConnell D14/126
 2007/0118025 A1 * 5/2007 Lampinen A61B 5/742
 600/300
 2020/0294371 A1 * 9/2020 Eun G07G 1/10
 2020/0326582 A1 * 10/2020 Azuma G06F 1/1656
 2021/0259516 A1 * 8/2021 Ubbesen A61B 1/00006

FOREIGN PATENT DOCUMENTS

CN 305474261 * 12/2019
 CN 305922668 * 7/2020
 CN 306028331 * 9/2020
 JP D1624476 * 2/2019
 WO WO-D206173-002 * 6/2020

* cited by examiner

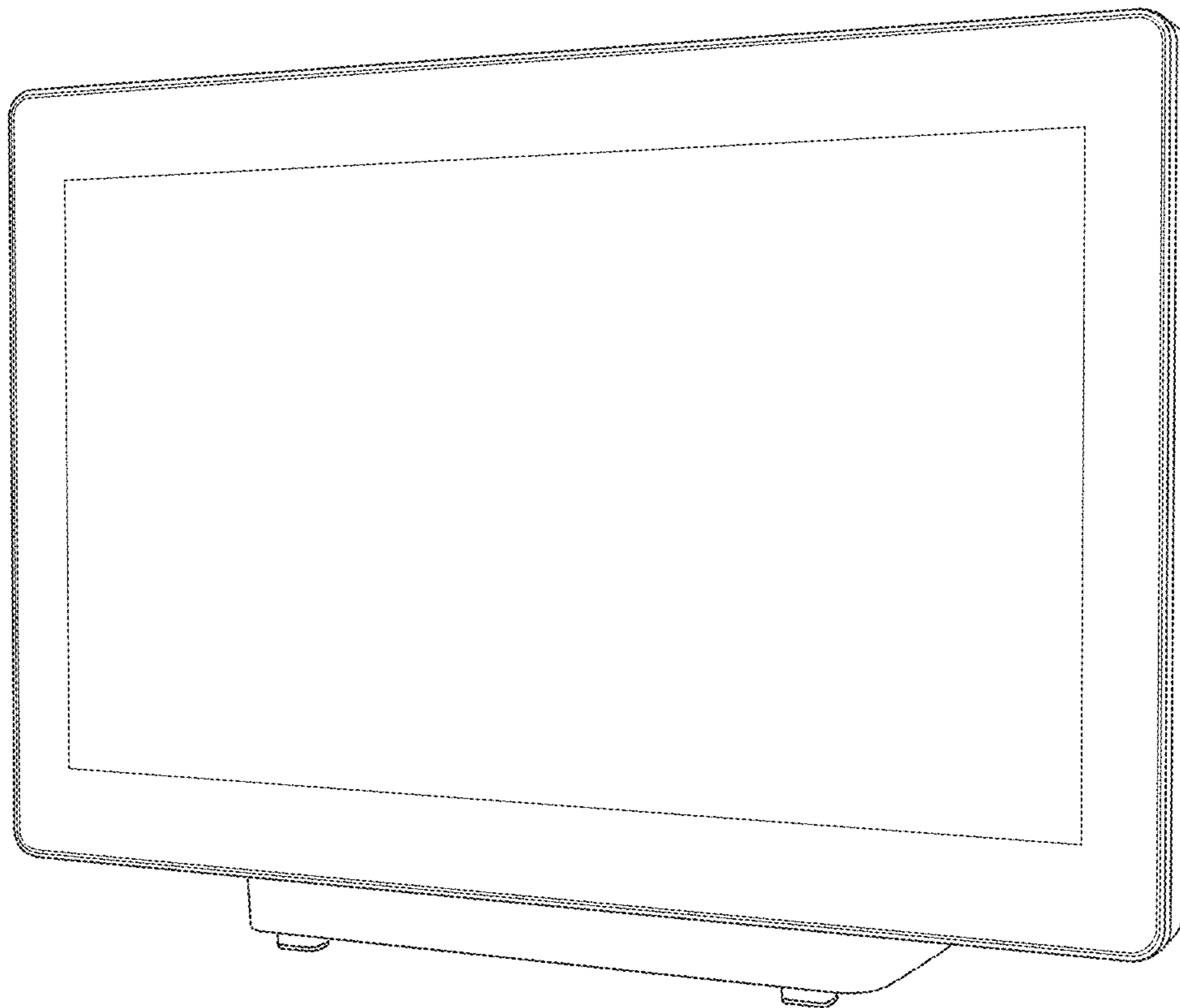


FIG. 1

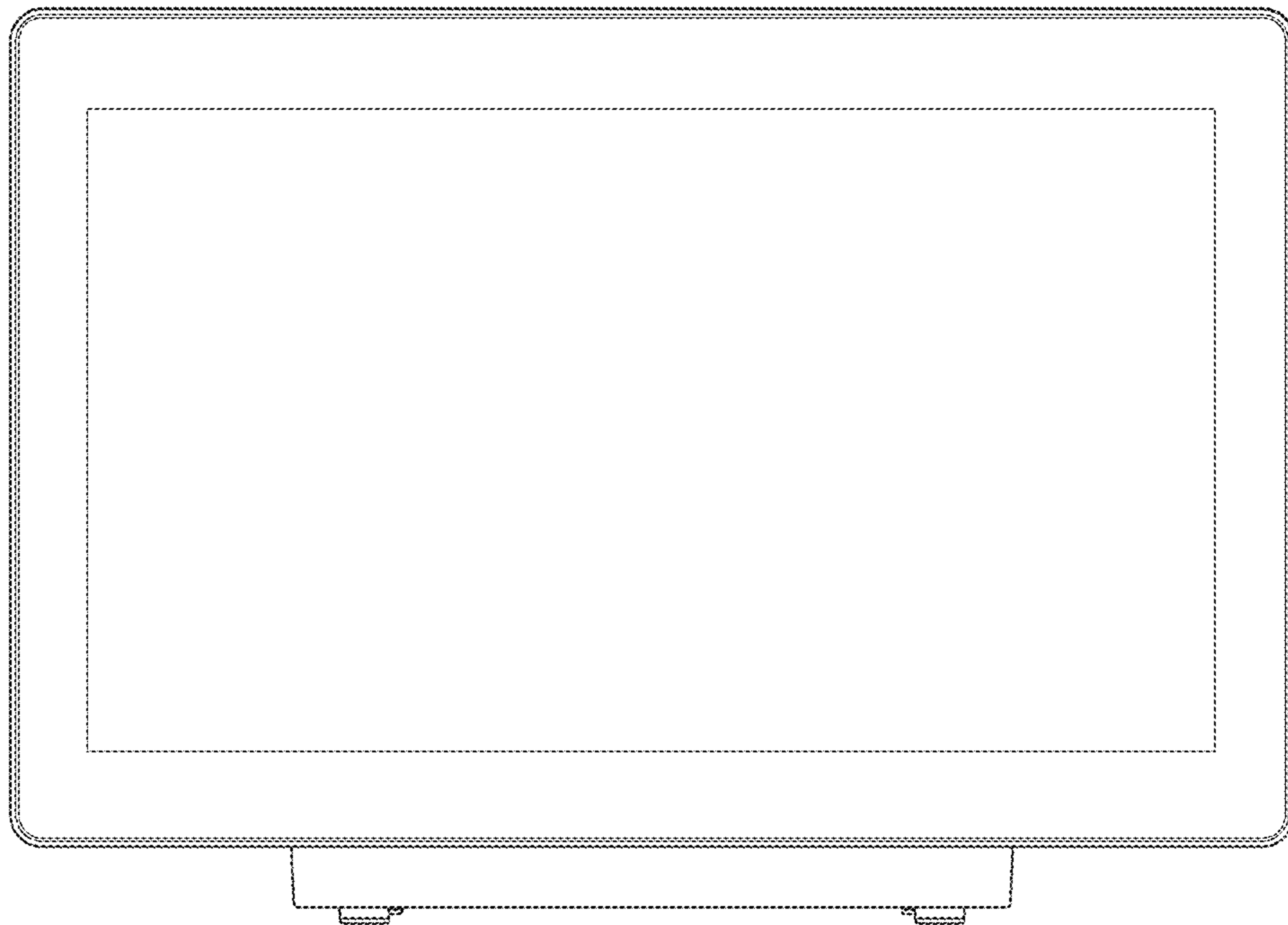


FIG. 2

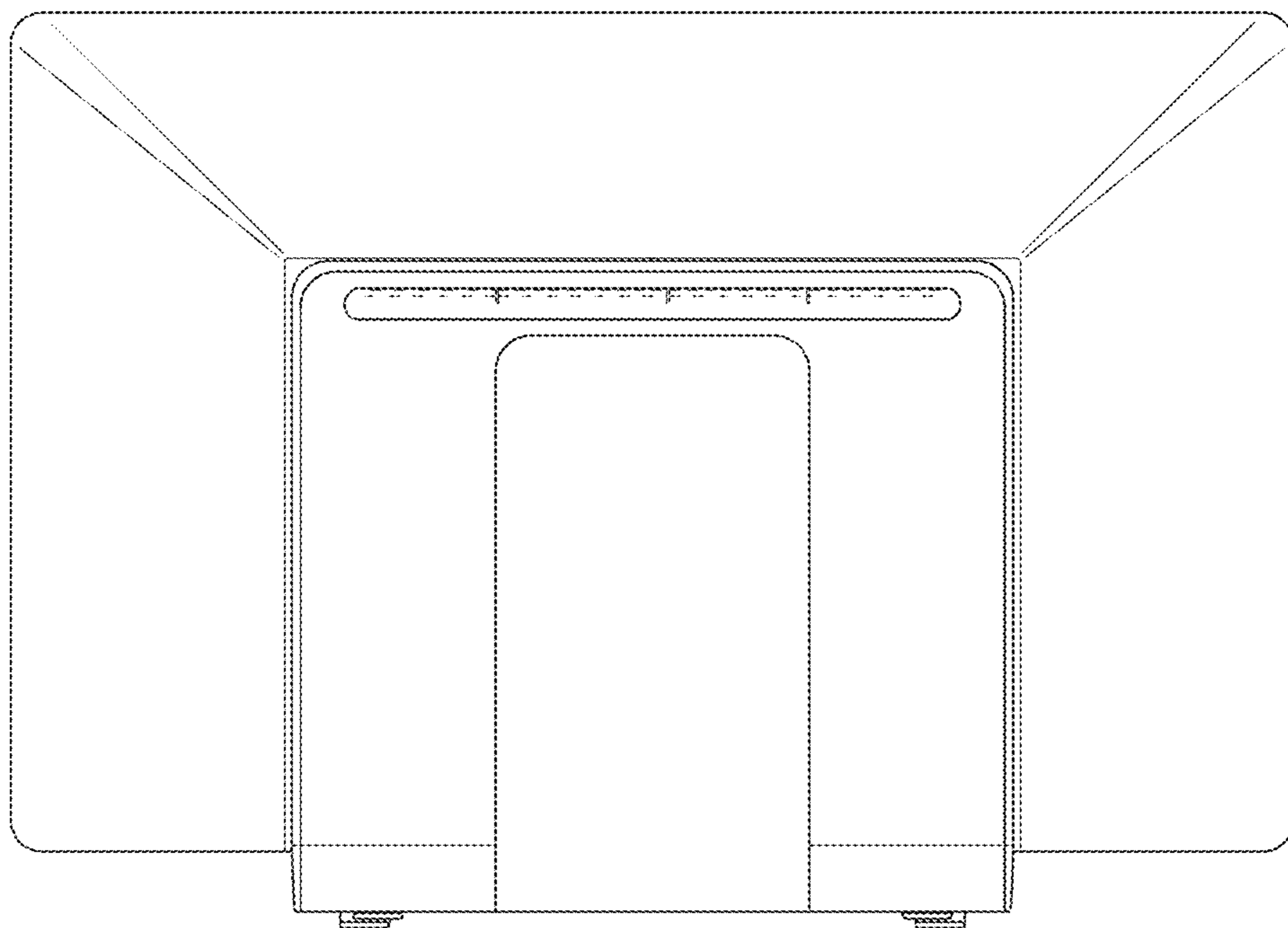


FIG. 3

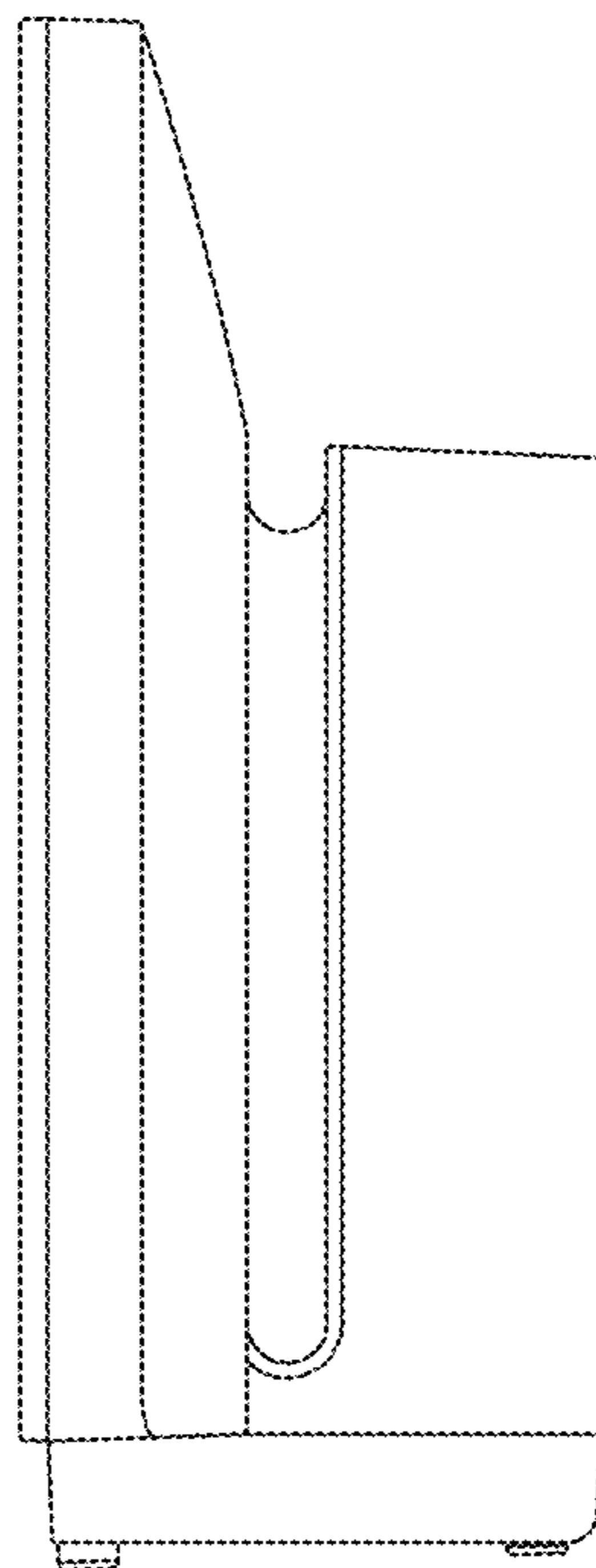


FIG. 4

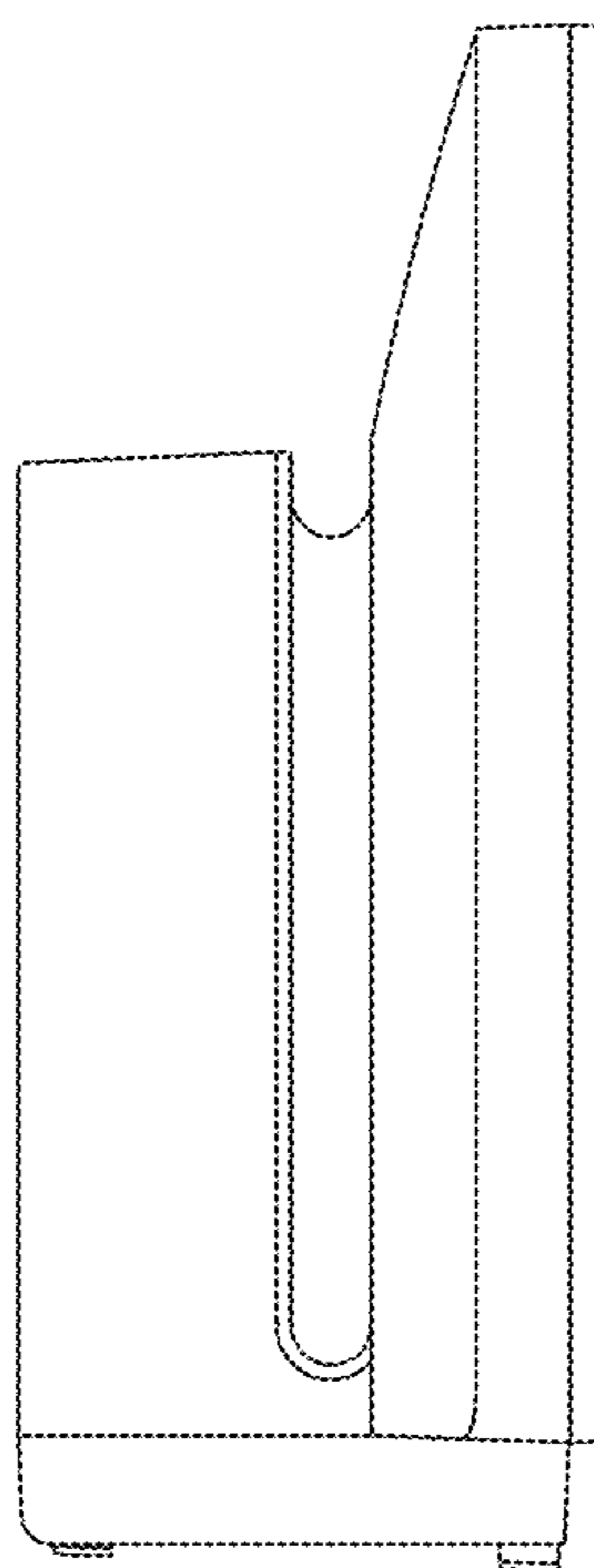


FIG. 5

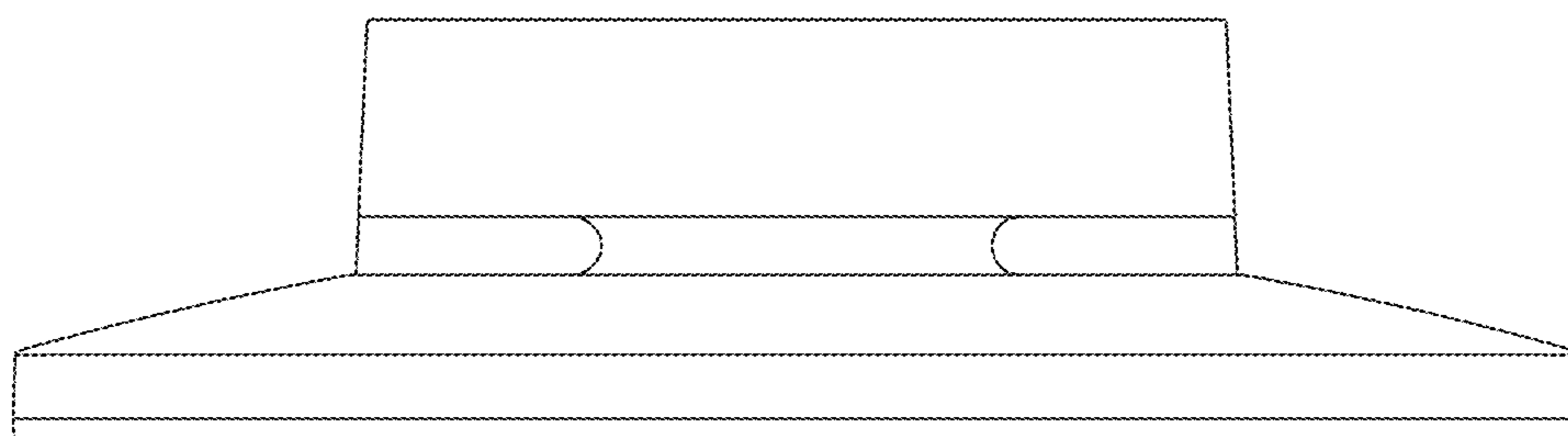


FIG. 6

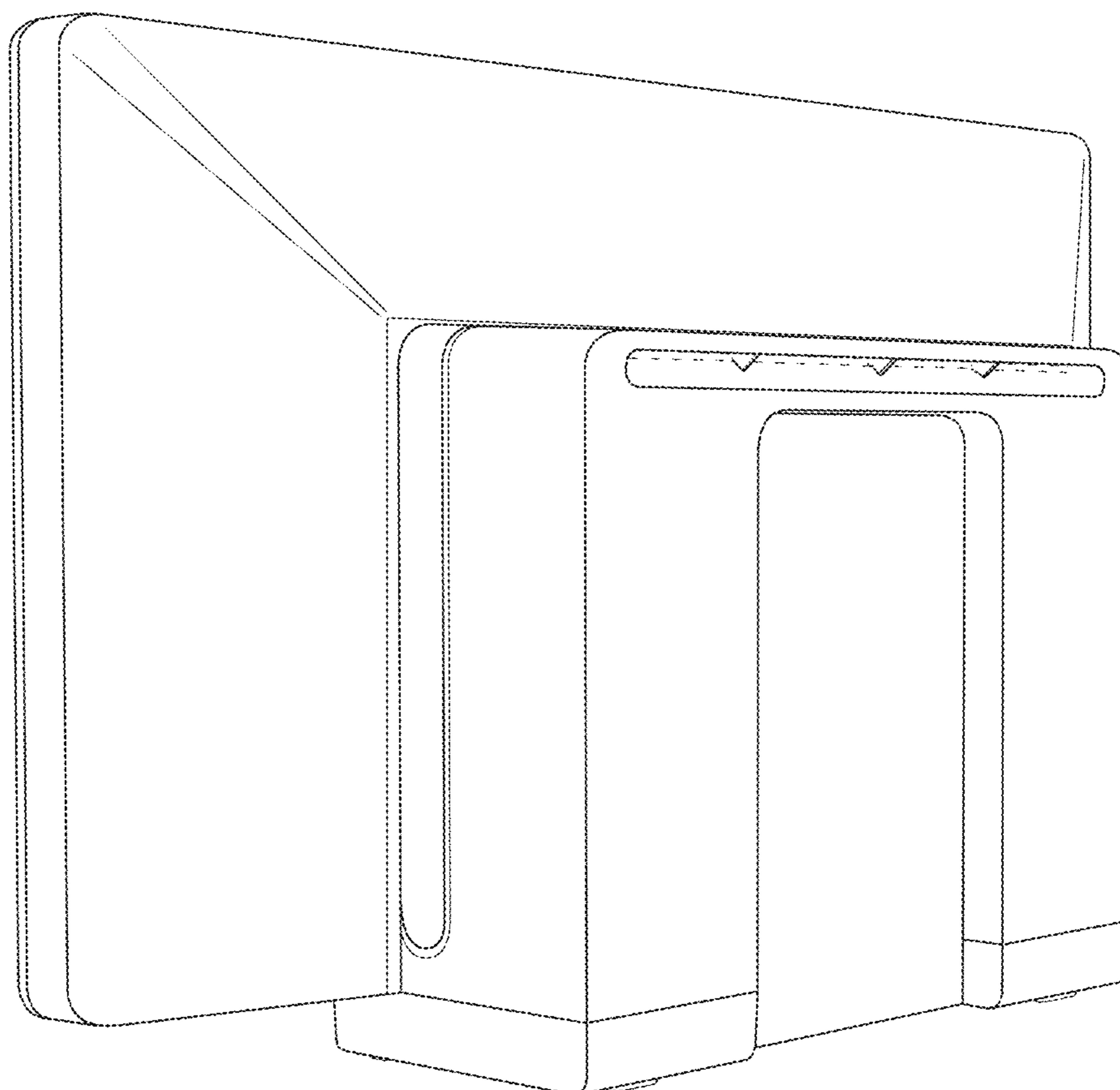


FIG. 7

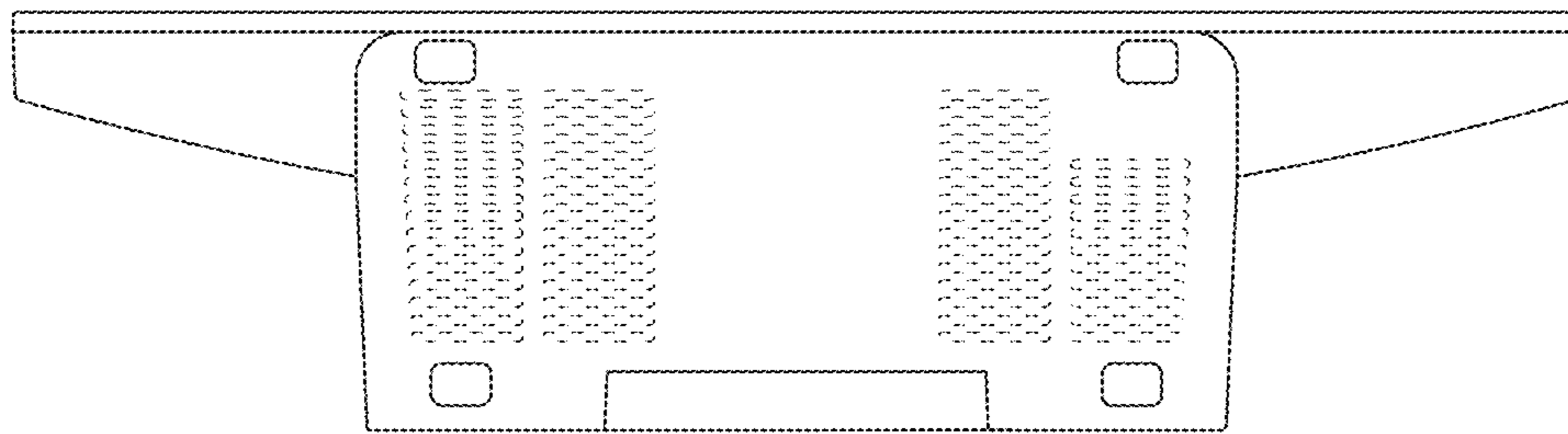


FIG. 8