



US00D941818S

(12) **United States Design Patent**
Vojan et al.

(10) **Patent No.:** **US D941,818 S**
(45) **Date of Patent:** **** Jan. 25, 2022**

(54) **DUAL-MONITOR COMPUTER**

(71) Applicant: **VARIAN MEDICAL SYSTEMS, INC.**, Palo Alto, CA (US)

(72) Inventors: **Filip Vojan**, Palo Alto, CA (US); **Brian Spatola**, Palo Alto, CA (US)

(73) Assignee: **VARIAN MEDICAL SYSTEMS, INC.**, Palo Alto, CA (US)

(**) Term: **15 Years**

(21) Appl. No.: **29/764,469**

(22) Filed: **Dec. 30, 2020**

(51) **LOC (13) Cl.** **14-02**

(52) **U.S. Cl.**
USPC **D14/373; D21/369**

(58) **Field of Classification Search**
USPC D14/336, 337, 373, 374, 375, 376, 377,
D14/125, 128, 129, 126, 127, 371, 372,
(Continued)

(56) **References Cited**

U.S. PATENT DOCUMENTS

6,667,877 B2 * 12/2003 Duquette G06F 1/1607
248/917
D572,314 S * 7/2008 Vallejo D21/370
(Continued)

FOREIGN PATENT DOCUMENTS

CA 2794049 A1 * 9/2011 H01R 35/04
CN 302498498 * 7/2013
(Continued)

OTHER PUBLICATIONS

The Revisionist. Link: <https://www.therevisionist.org/reviews/vivo-dual-monitor-vertical-desk-mount-stand-v002r/>. Apr. 23, 2017. Review of the VIVO Dual Monitor Vertical Desk Mount Stand V002R. (Year: 2017).*

(Continued)

Primary Examiner — Lauren D McVey

(74) *Attorney, Agent, or Firm* — Foley & Lardner LLP

(57) **CLAIM**

The ornamental design for a dual-monitor computer, as shown and described.

DESCRIPTION

FIG. 1 is a perspective view of a dual-monitor computer, in accordance with a first embodiment;
FIG. 2 is a front view of the dual-monitor computer in FIG. 1, in accordance with the first embodiment;
FIG. 3 is a back view of the dual-monitor computer in FIG. 1, in accordance with the first embodiment;
FIG. 4 is a right side elevation view of the dual-monitor computer in FIG. 1, in accordance with the first embodiment;
FIG. 5 is a left side elevation view of the dual-monitor computer in FIG. 1, in accordance with the first embodiment;
FIG. 6 is a top plan view of the dual-monitor computer in FIG. 1, in accordance with the first embodiment;
FIG. 7 is a bottom plan view of the dual-monitor computer in FIG. 1, in accordance with the first embodiment;
FIG. 8 is a perspective view of a dual-monitor computer, in accordance with a second embodiment;
FIG. 9 is a front view of the dual-monitor computer in FIG. 8, in accordance with the second embodiment;
FIG. 10 is a back view of the dual-monitor computer in FIG. 8, in accordance with the second embodiment;
FIG. 11 is a right side elevation view of the dual-monitor computer in FIG. 8, in accordance with the second embodiment;
FIG. 12 is a left side elevation view of the dual-monitor computer in FIG. 8, in accordance with the second embodiment;
FIG. 13 is a top plan view of the dual-monitor computer in FIG. 8, in accordance with the second embodiment;
FIG. 14 is a bottom plan view of the dual-monitor computer in FIG. 8, in accordance with the second embodiment;
FIG. 15 is a perspective view of a dual-monitor computer, in accordance with a third embodiment;

(Continued)

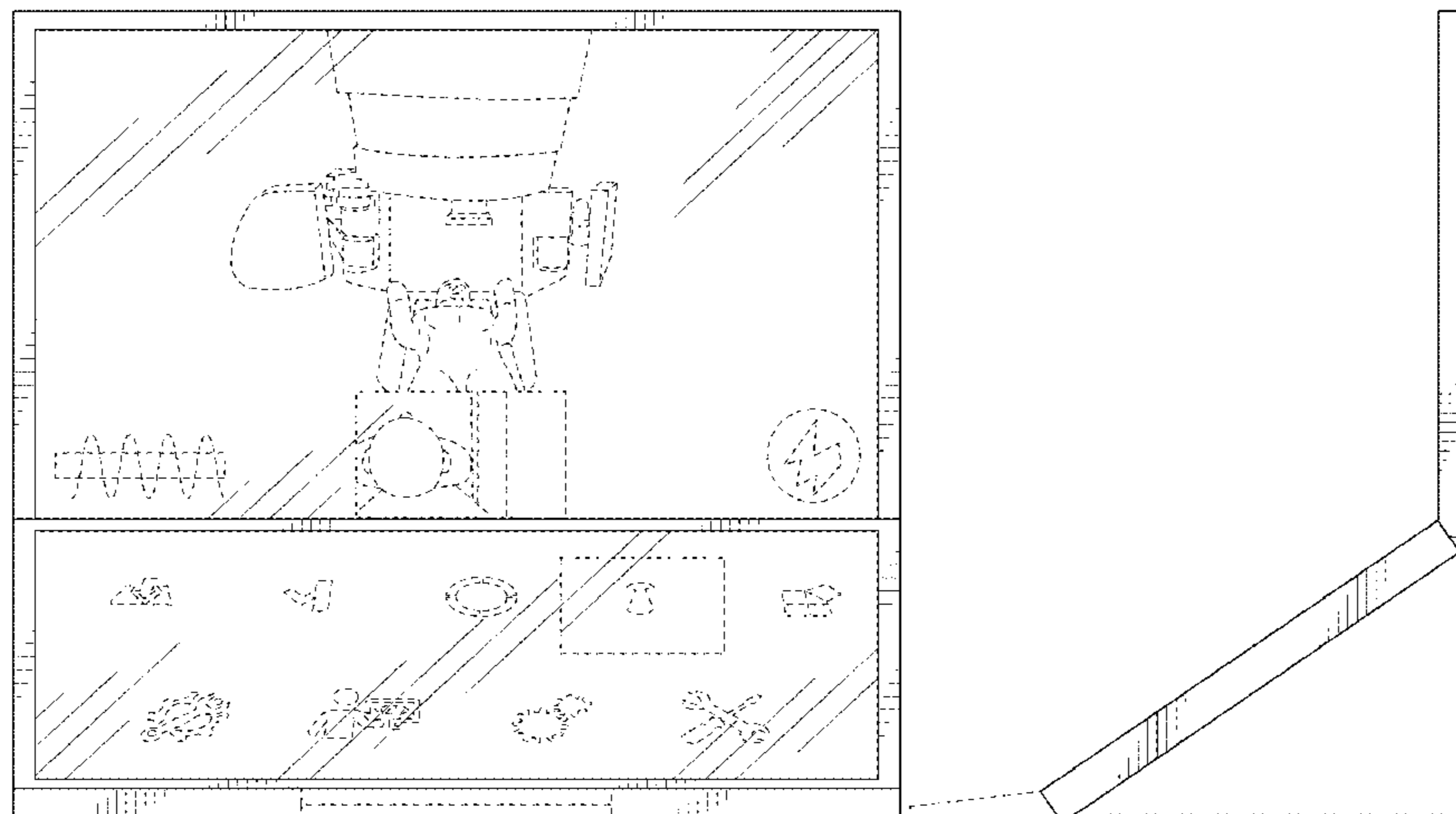


FIG. 16 is a front view of the dual-monitor computer in FIG. 15, in accordance with the third embodiment;
 FIG. 17 is a back view of the dual-monitor computer in FIG. 15, in accordance with the third embodiment;
 FIG. 18 is a right side elevation view of the dual-monitor computer in FIG. 15, in accordance with the third embodiment;
 FIG. 19 is a left side elevation view of the dual-monitor computer in FIG. 15, in accordance with the third embodiment;
 FIG. 20 is a top plan view of the dual-monitor computer in FIG. 15, in accordance with the third embodiment;
 FIG. 21 is a bottom plan view of the dual-monitor computer in FIG. 15, in accordance with the third embodiment;
 FIG. 22 is a perspective view of a dual-monitor computer, in accordance with a fourth embodiment;
 FIG. 23 is a front view of the dual-monitor computer in FIG. 22, in accordance with the fourth embodiment;
 FIG. 24 is a back view of the dual-monitor computer in FIG. 22, in accordance with the fourth embodiment;
 FIG. 25 is a right side elevation view of the dual-monitor computer in FIG. 22, in accordance with the fourth embodiment;
 FIG. 26 is a left side elevation view of the dual-monitor computer in FIG. 22, in accordance with the fourth embodiment;
 FIG. 27 is a top plan view of the dual-monitor computer in FIG. 22, in accordance with the fourth embodiment;
 FIG. 28 is a bottom plan view of the dual-monitor computer in FIG. 22, in accordance with the fourth embodiment;
 FIG. 29 is a perspective view of a dual-monitor computer, in accordance with a fifth embodiment;
 FIG. 30 is a front view of the dual-monitor computer in FIG. 29, in accordance with the fifth embodiment;
 FIG. 31 is a back view of the dual-monitor computer in FIG. 29, in accordance with the fifth embodiment;
 FIG. 32 is a right side elevation view of the dual-monitor computer in FIG. 29, in accordance with the fifth embodiment;
 FIG. 33 is a left side elevation view of the dual-monitor computer in FIG. 29, in accordance with the fifth embodiment;
 FIG. 34 is a top plan view of the dual-monitor computer in FIG. 29, in accordance with the fifth embodiment; and,
 FIG. 35 is a bottom plan view of the dual-monitor computer in FIG. 29, in accordance with the fifth embodiment.
 The claimed dual-monitor is not limited to the scale shown herein. The broken lines are directed to environment and form no part of the claimed design. The surface shading lines illustrated in the drawings are provided only to indicate the contour or lack of curvature. The shading lines do not indicate color, texture, or markings that actually exist

thereon, or indicia, graphic representations, surface treatment, or any other ornamentation applied to the article.

1 Claim, 35 Drawing Sheets

(58) **Field of Classification Search**

USPC D14/341; D21/369, 300, 307, 370, 324, D21/329, 332
 CPC G06F 1/1601; G06F 1/1605; G06F 1/162; A61B 90/36; A61N 5/10
 See application file for complete search history.

(56) **References Cited**

U.S. PATENT DOCUMENTS

D589,511	S	*	3/2009	Han	D14/373
D589,958	S	*	4/2009	Han	D14/373
D589,959	S	*	4/2009	Han	D14/373
D599,855	S	*	9/2009	Soodeen	D14/127
D624,513	S	*	9/2010	Mitsubishi	D14/126
D669,467	S	*	10/2012	Ballout	D14/336
D694,754	S	*	12/2013	Nakada	D14/373
D854,621	S	*	7/2019	Calhoun	G06F 1/1694 D21/369
D912,662	S	*	3/2021	Kurma Raju	D14/331
2004/0229698	A1	*	11/2004	Lind	G07F 17/323 463/42
2010/0149104	A1	*	6/2010	Sim	G06F 3/04886 345/169

FOREIGN PATENT DOCUMENTS

KR	300374087.0000	*	2/2005			
KR	300748012.0000	*	6/2014			
WO	WO-2008057092	A1	*	5/2008	G06F 1/1601

OTHER PUBLICATIONS

J & P Supply, Inc. Link: <https://www.jpssupply.com/catalog/p/ERG33091200/Ergotron-DS100-Vertical-Dual-Monitor-Desk-Stand-For-27-Monitors-12-x-1238-x-2825-Black-Supports-23-lb/>. Visited Aug. 30, 2021. Ergotron® DS100 Vertical Dual Monitor Desk Stand, For 27" Monitors, 12" x 12.38" x 28.25" (Year: 2021).*

Amazon. Link: https://www.amazon.com/dp/B098WKHM6S/ref=sspa_dk_detail_1?psc=1&pd_rd_i=B098WKHM6S&pd_rd_r=13NParams. Jul. 8, 2021. Mobile Pixels Duex Lite Portable Monitor for Laptops 12.5" Full HD IPS Screen,USBC Ultra Portable Laptop Dual Monitor. (Year: 2021).*

china.org.ru. Link: <http://china.org.ru/product/1600230832146>. Visited Sep. 7, 2021. new skill games cabinets dual monitor casino slot game Buffalo Gold slot machine. (Year: 2021).*

* cited by examiner

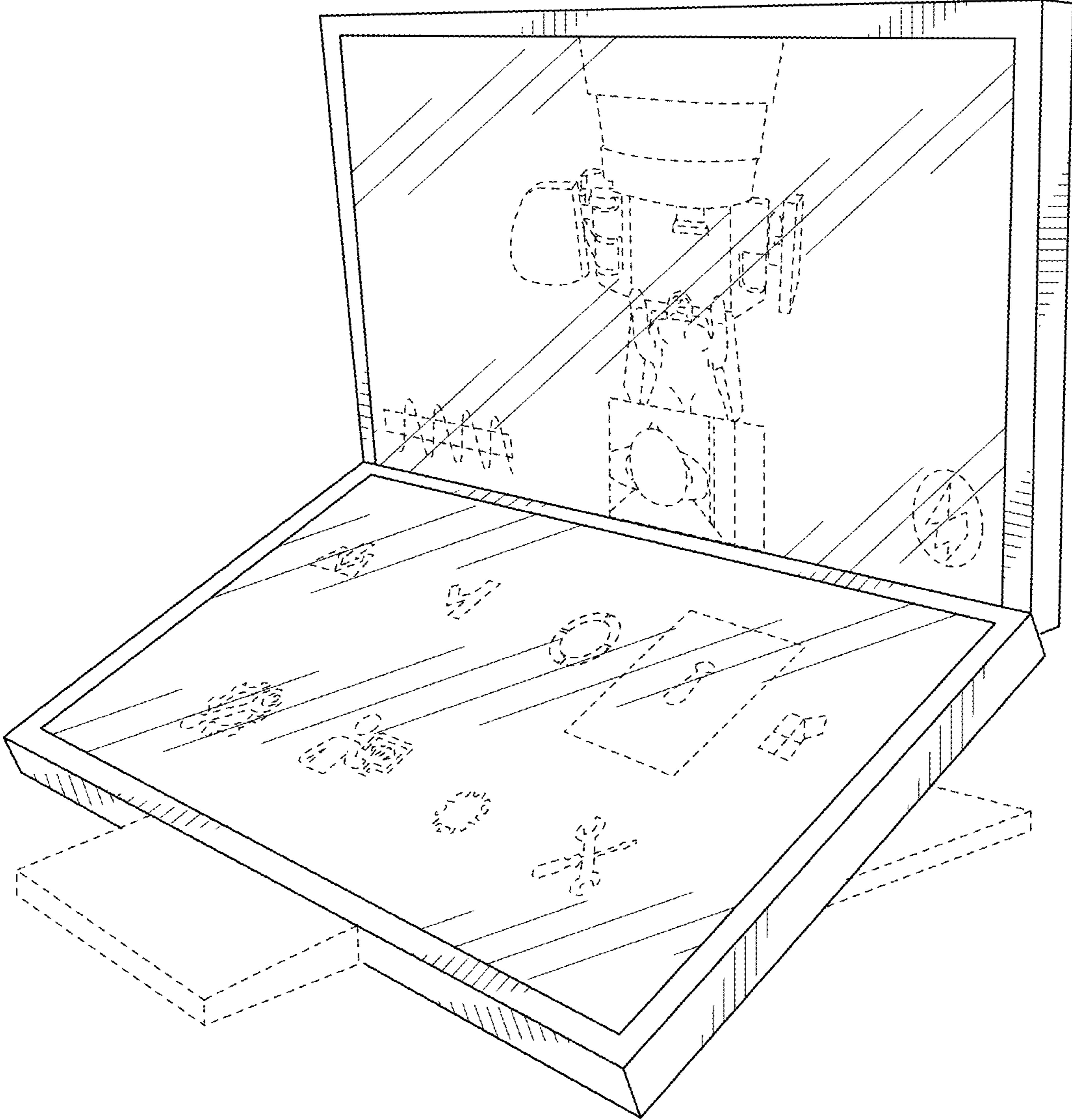


FIG. 1

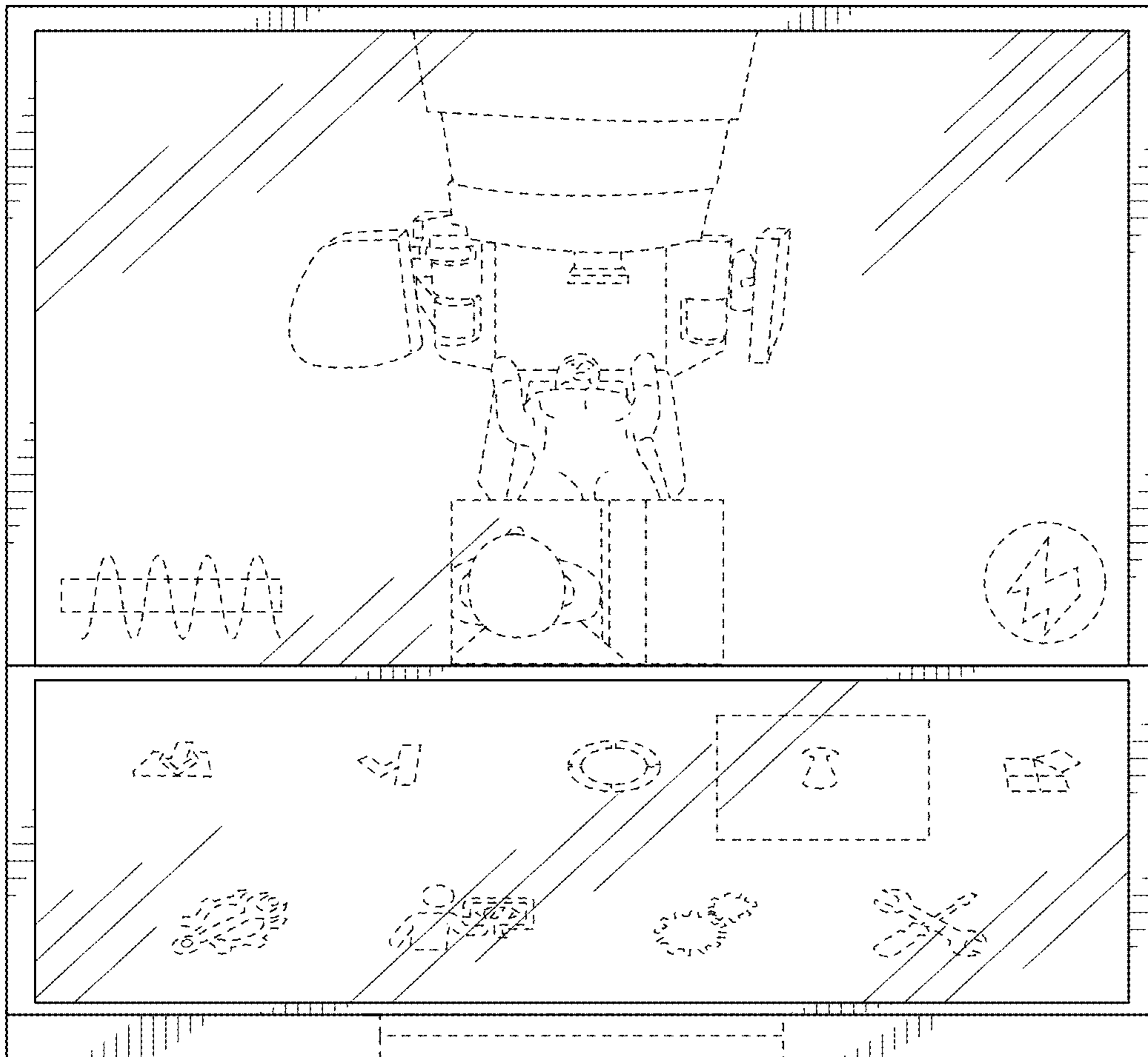


FIG. 2

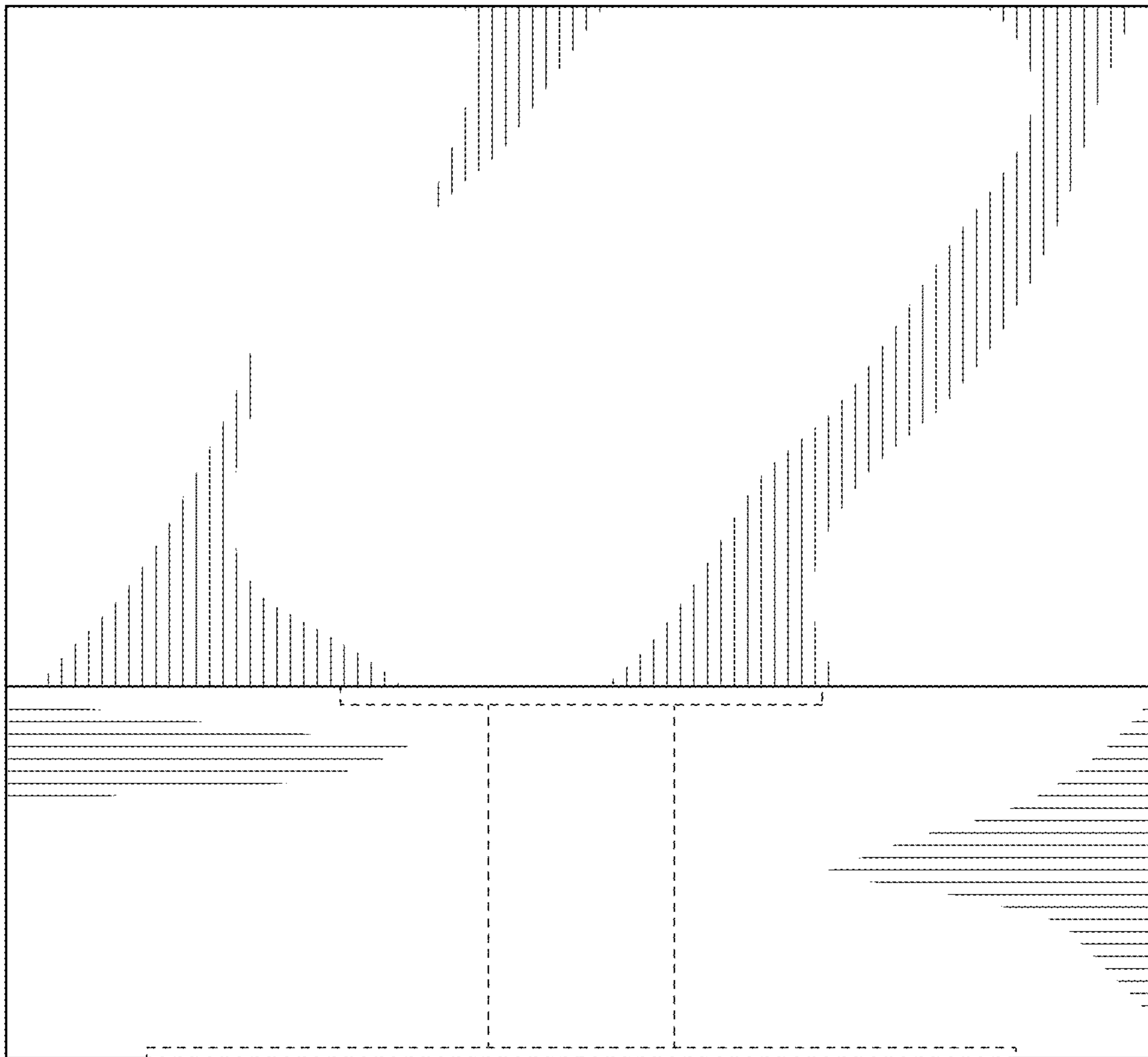


FIG. 3

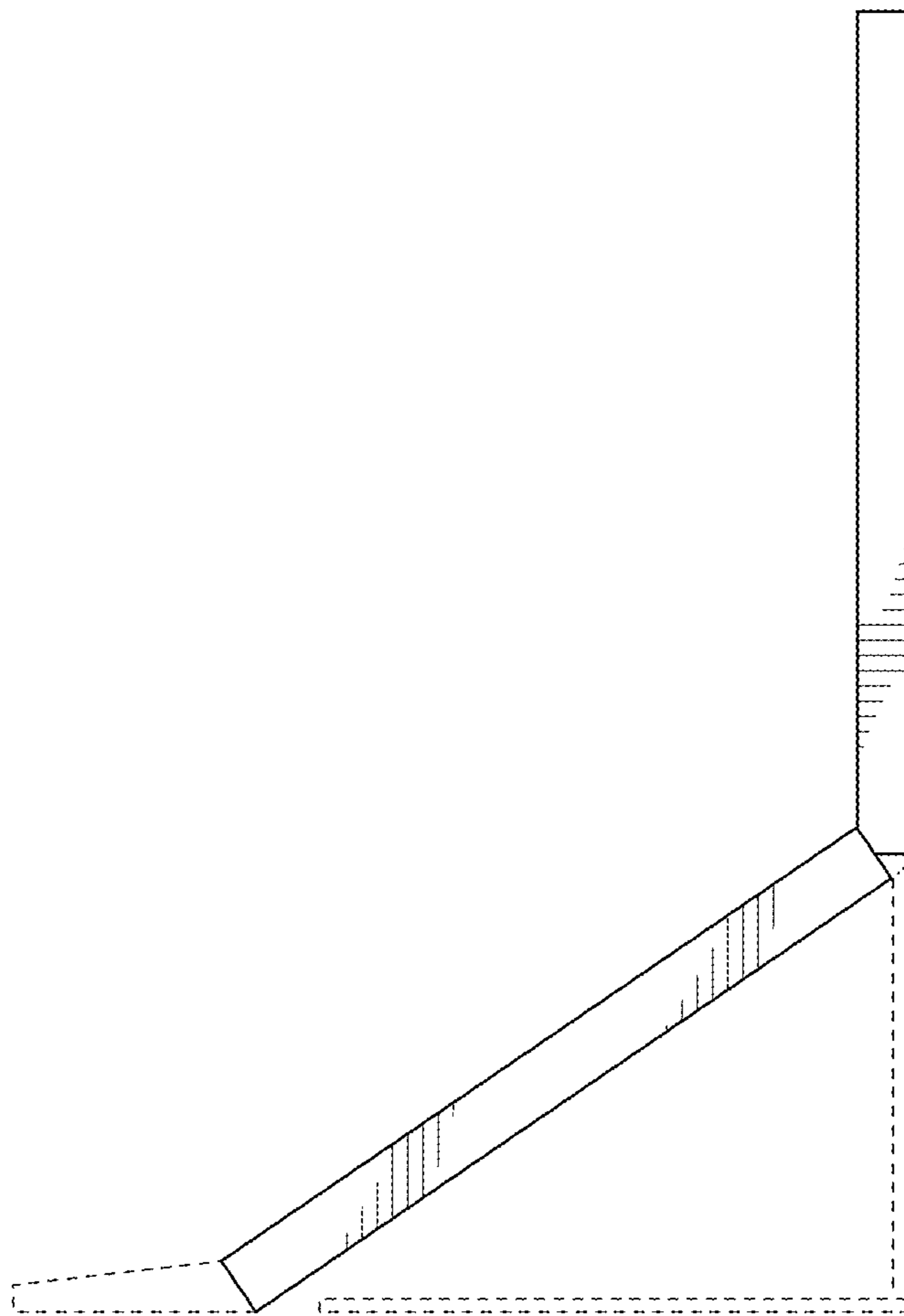


FIG. 4

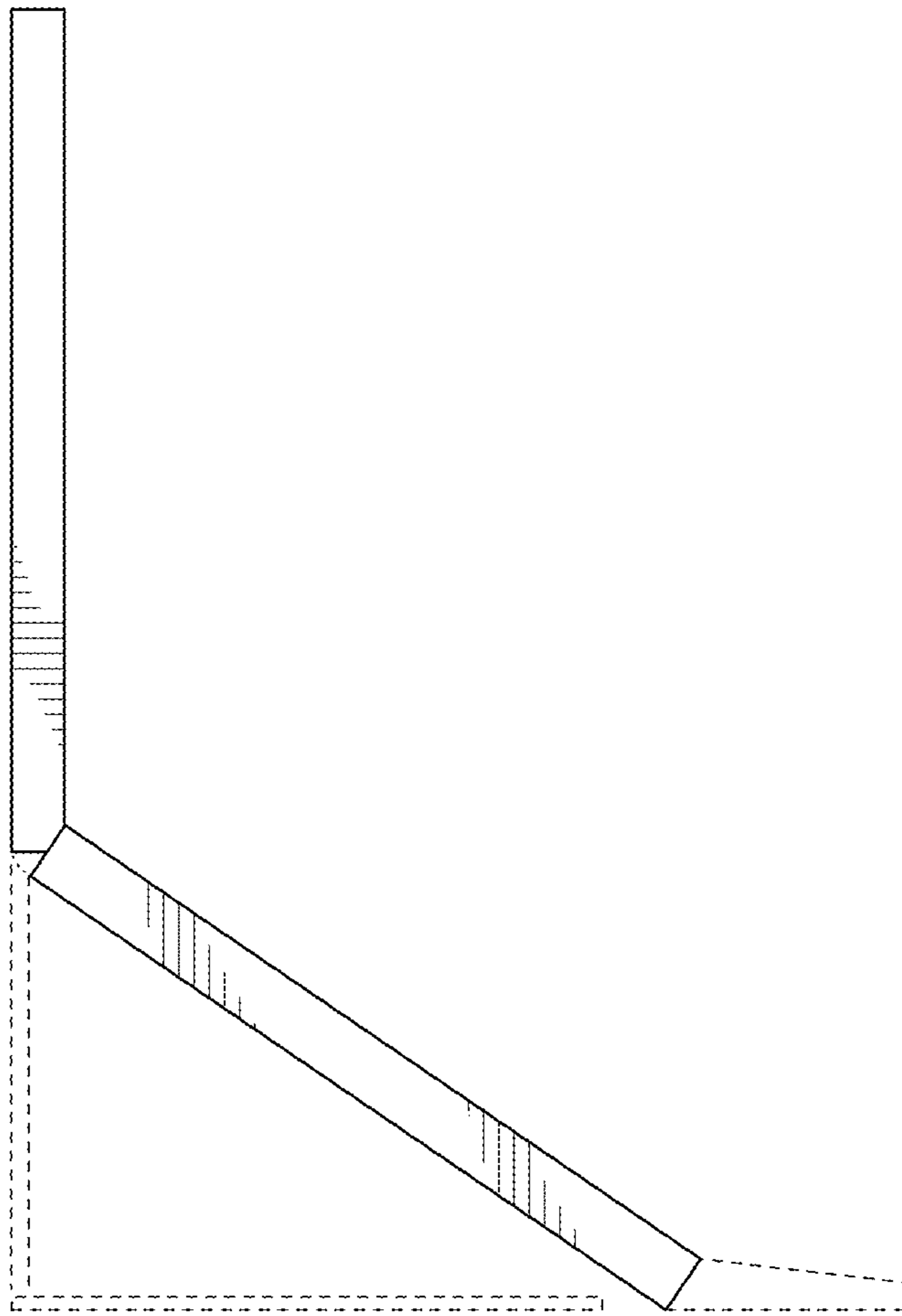


FIG. 5

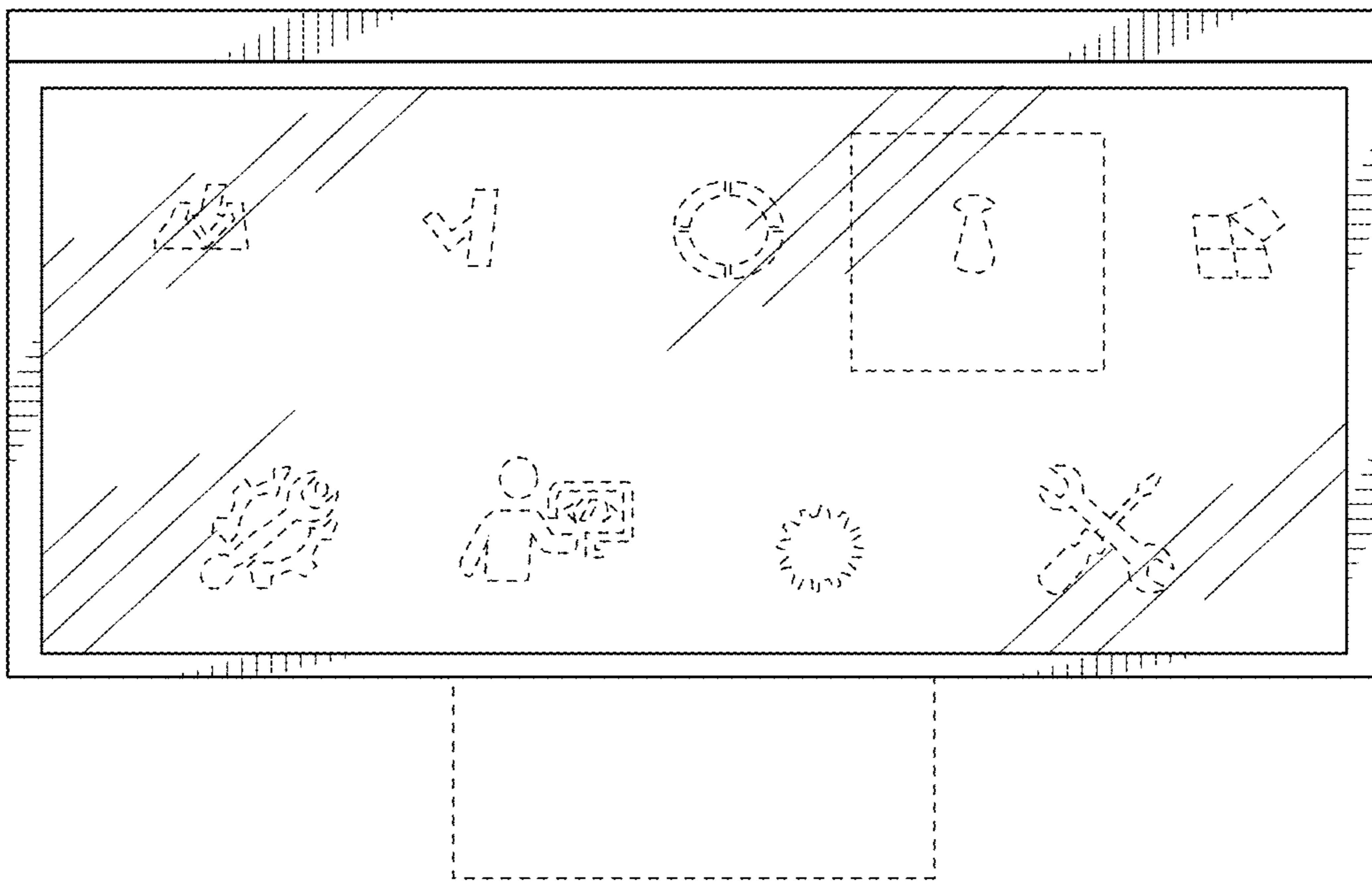


FIG. 6

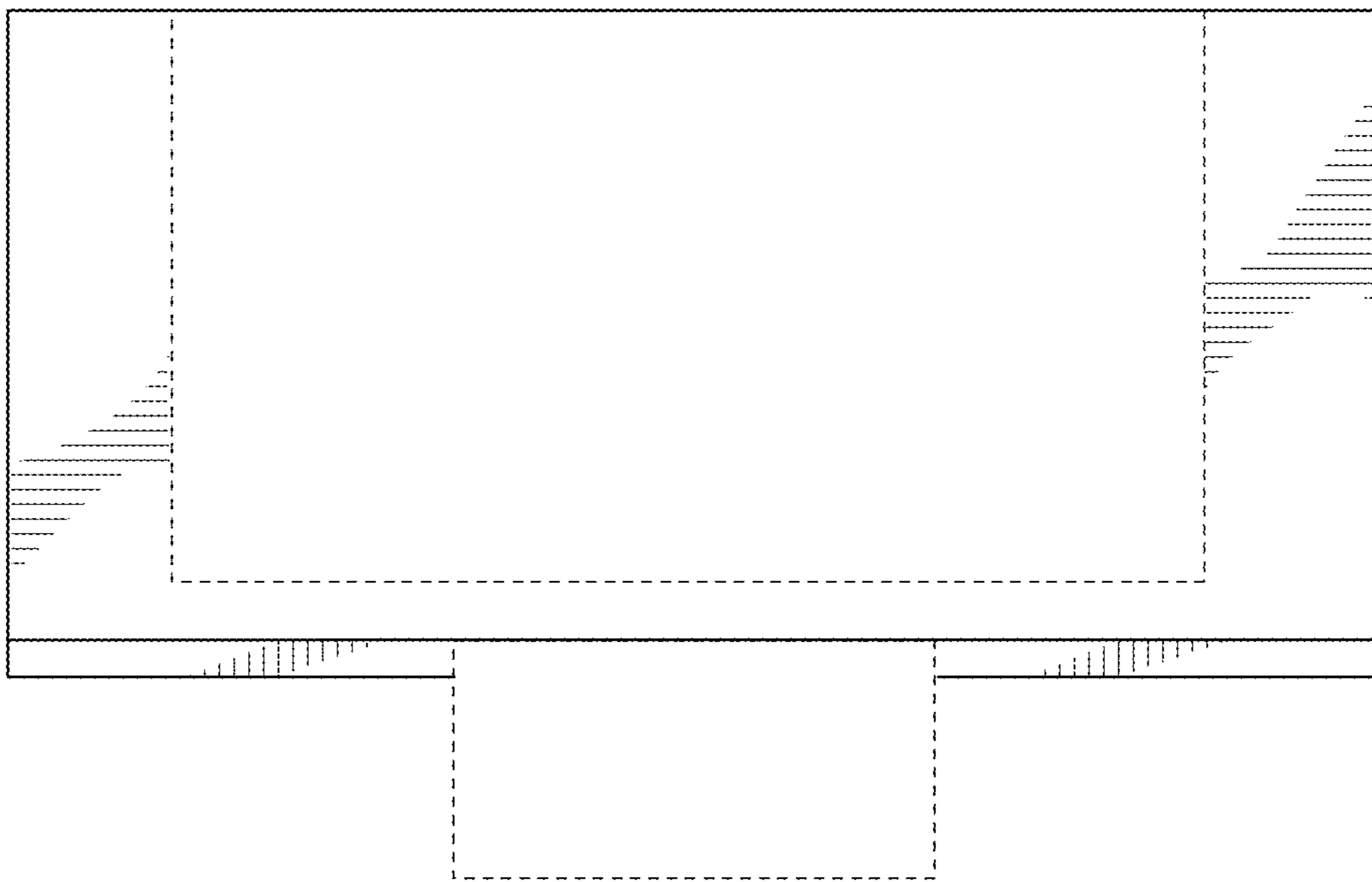


FIG. 7

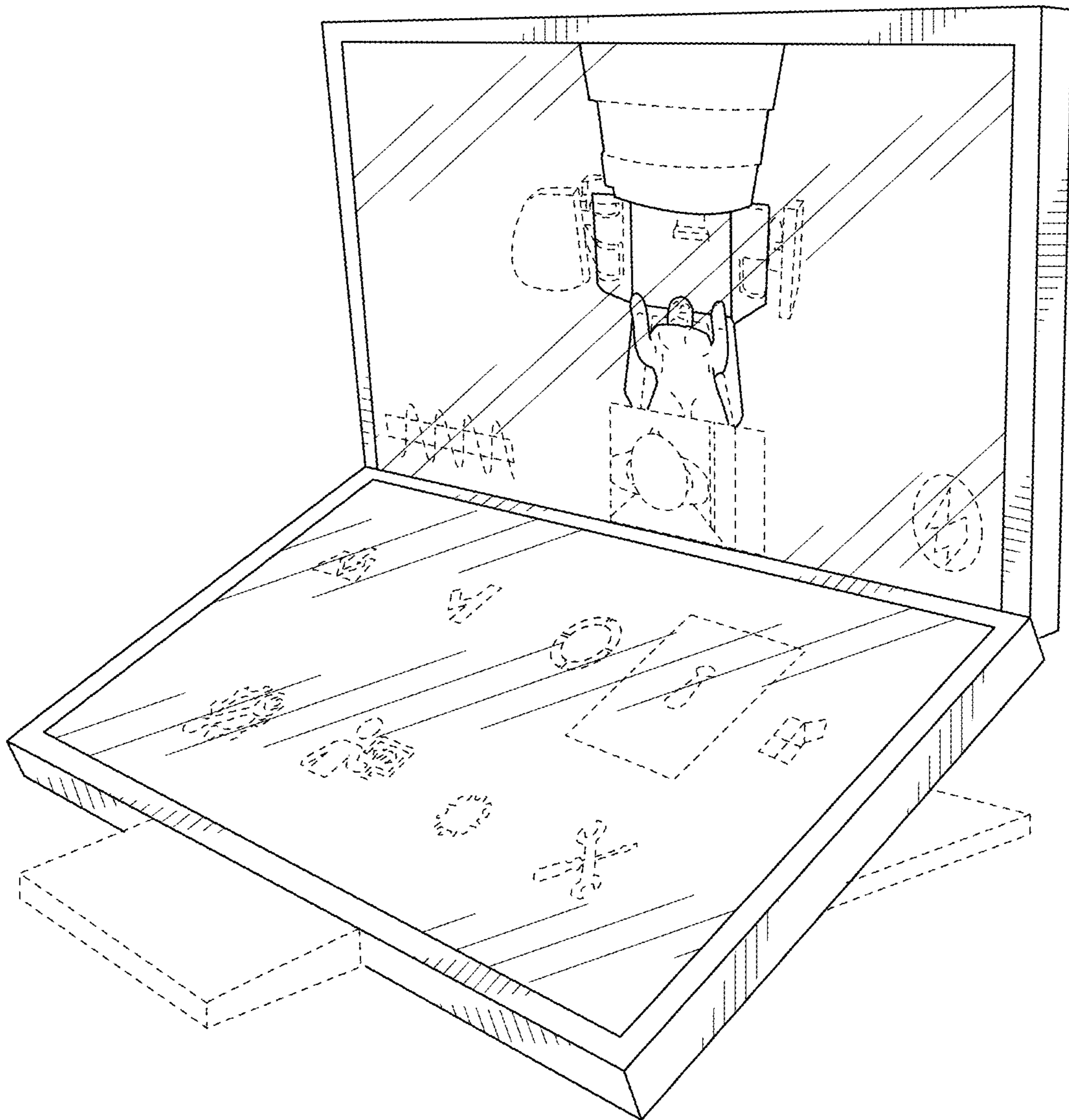


FIG. 8

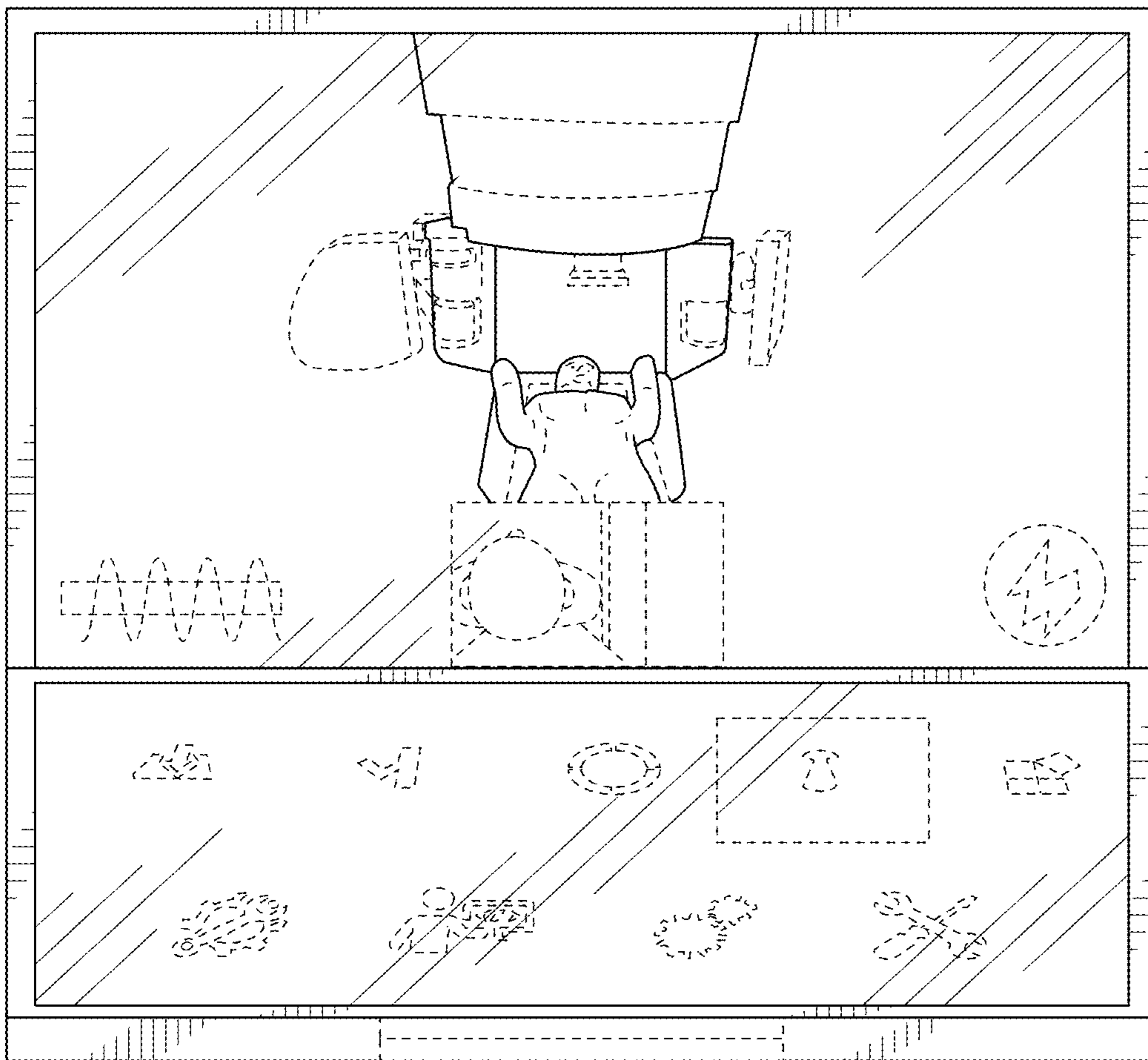


FIG. 9

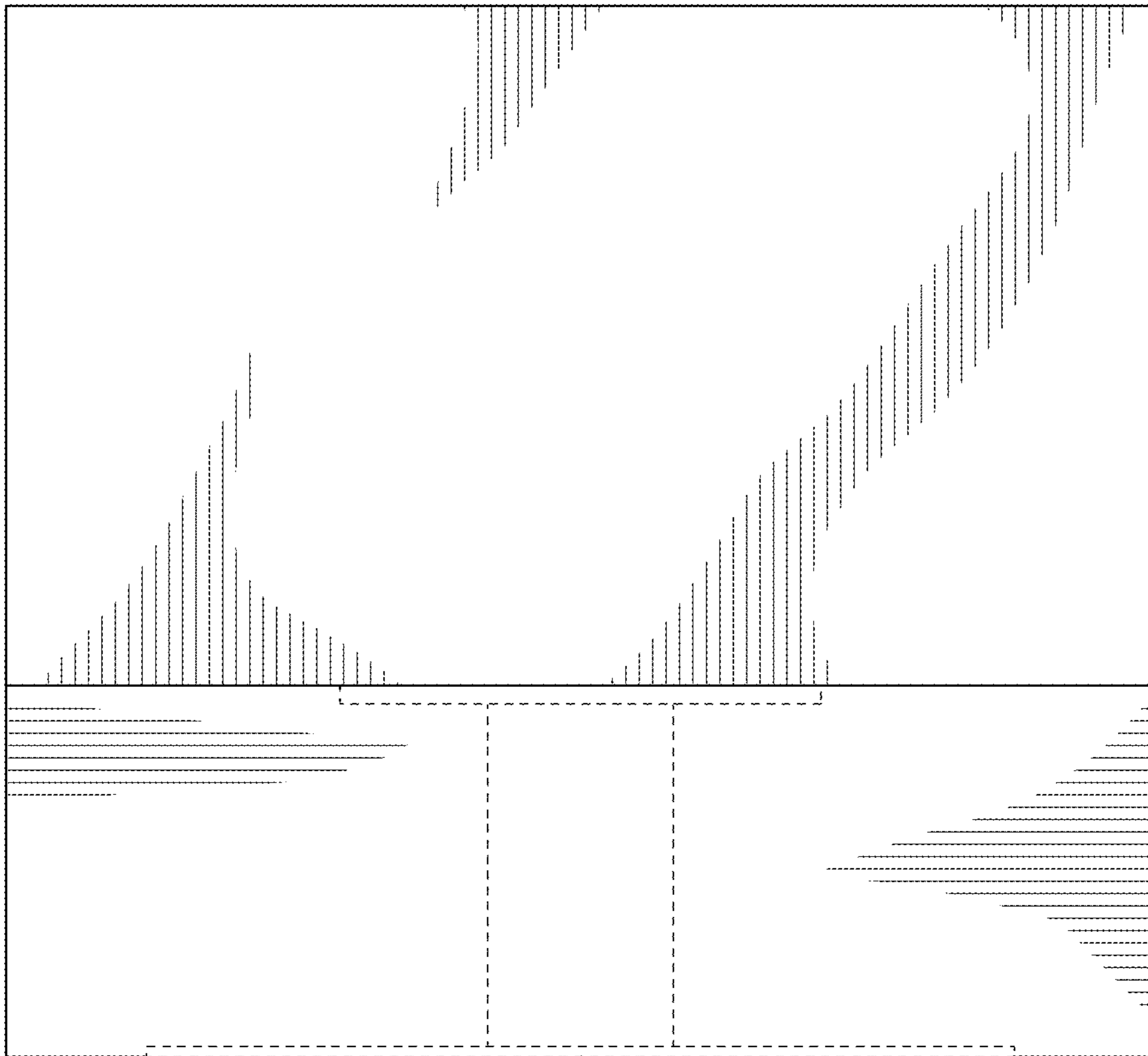


FIG. 10

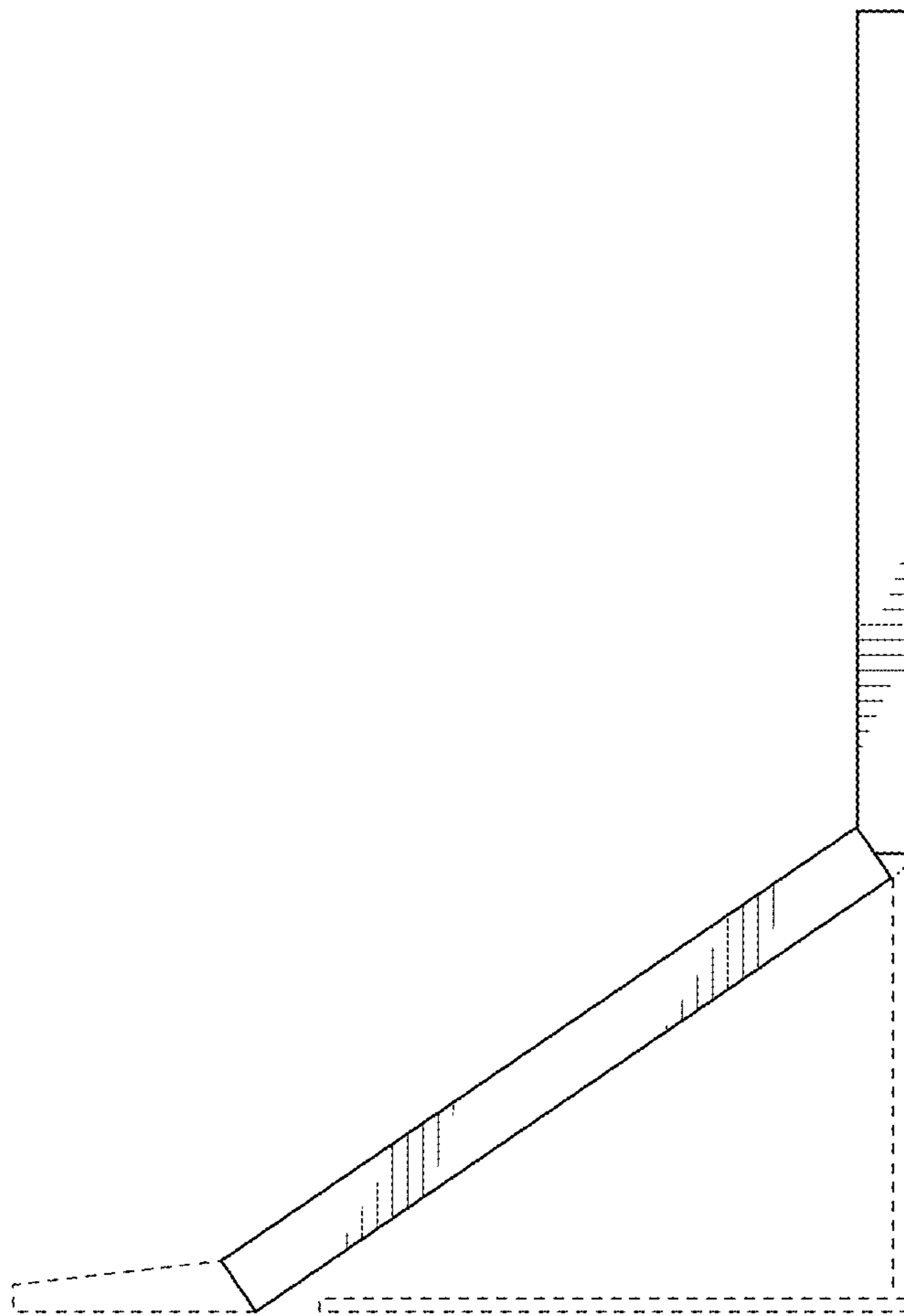


FIG. 11

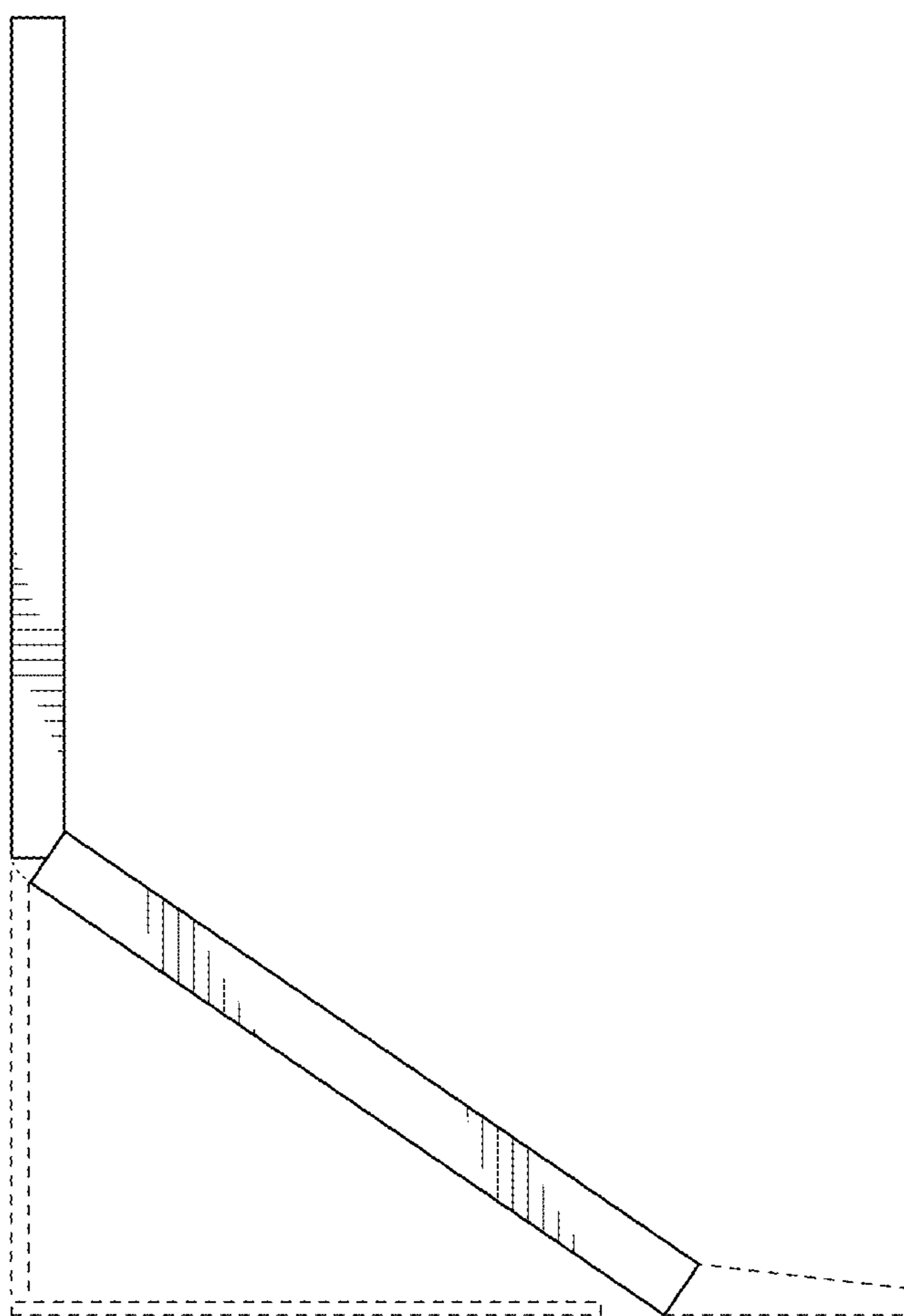


FIG. 12

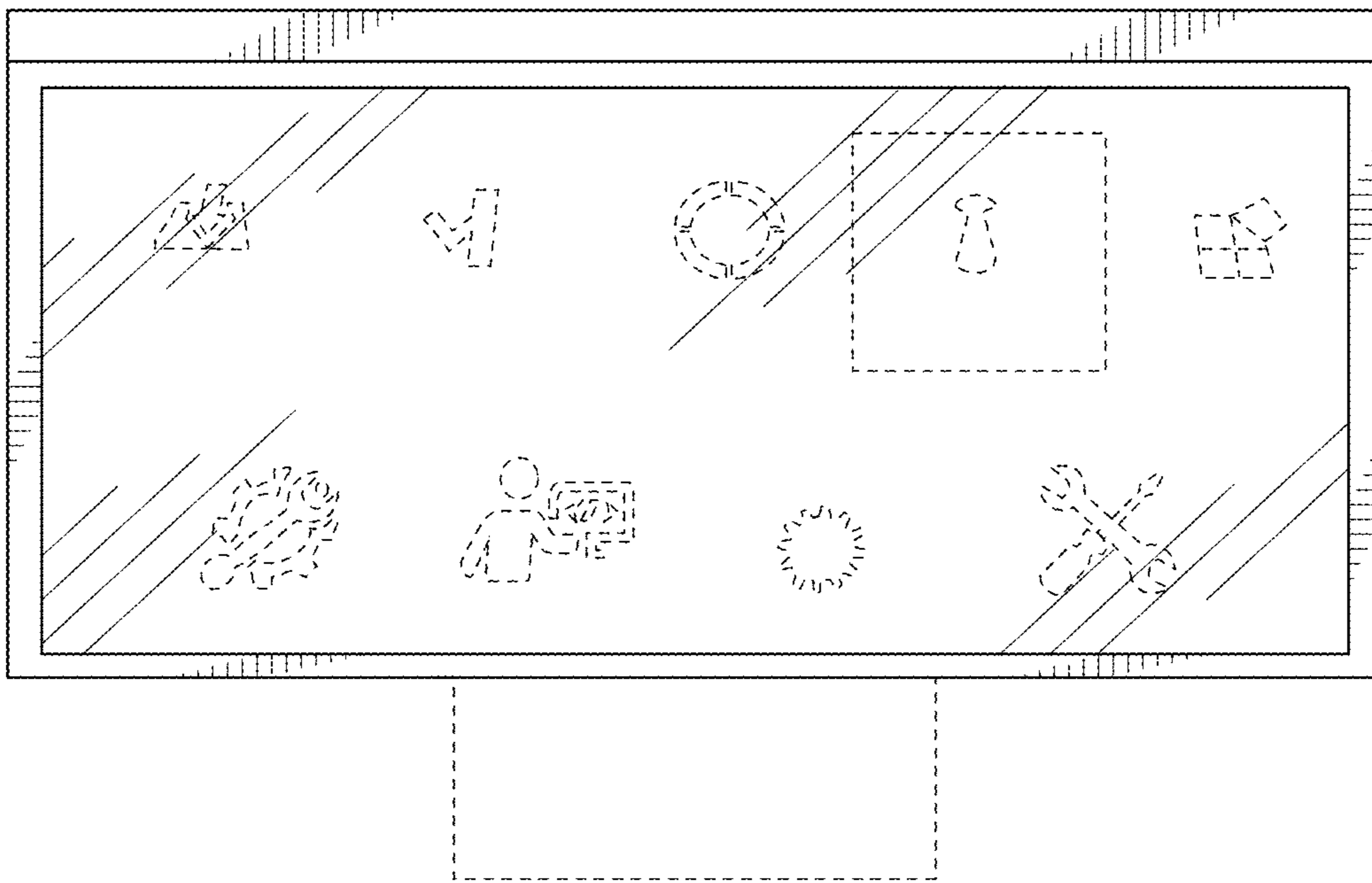


FIG. 13

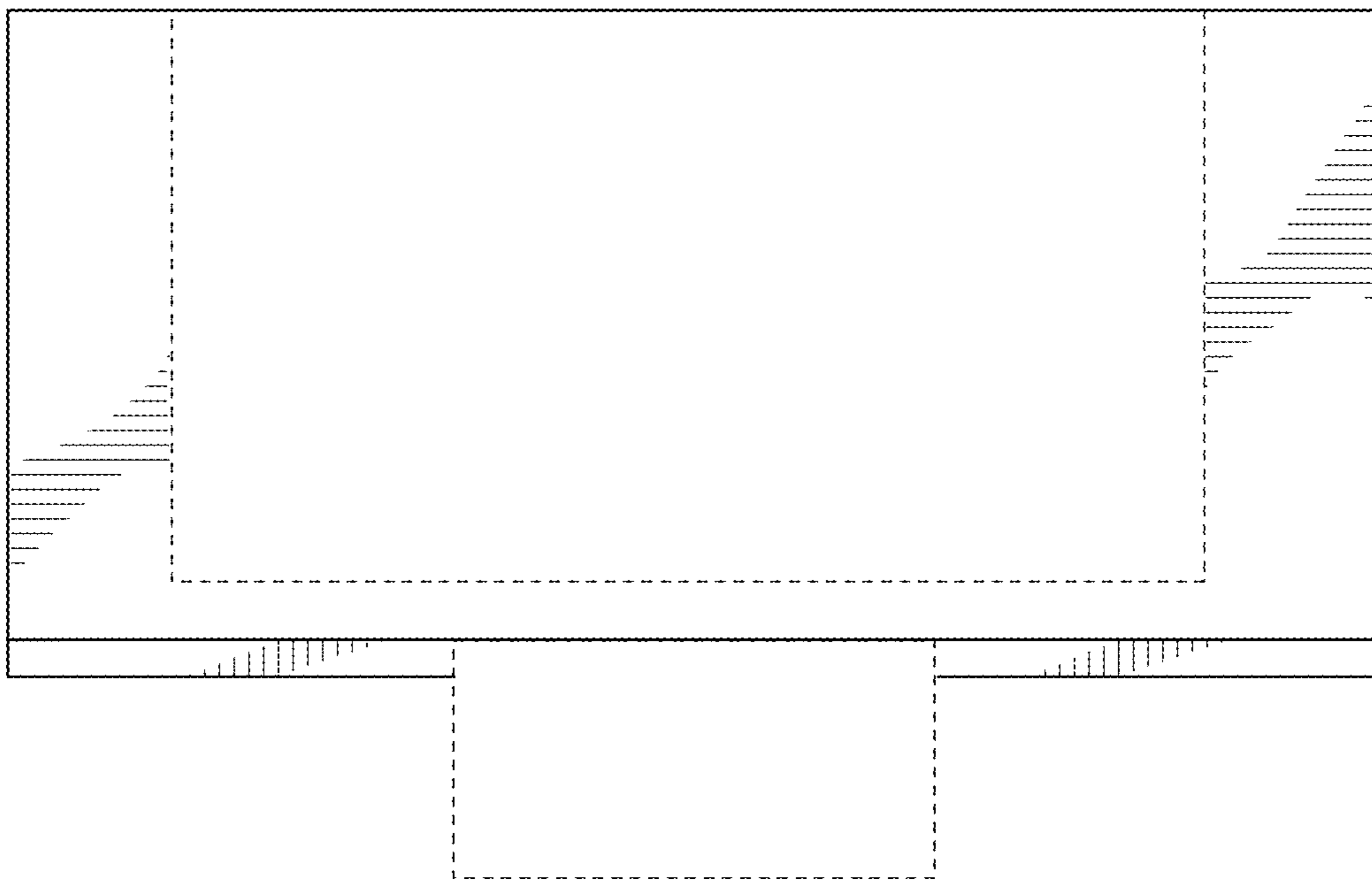


FIG. 14

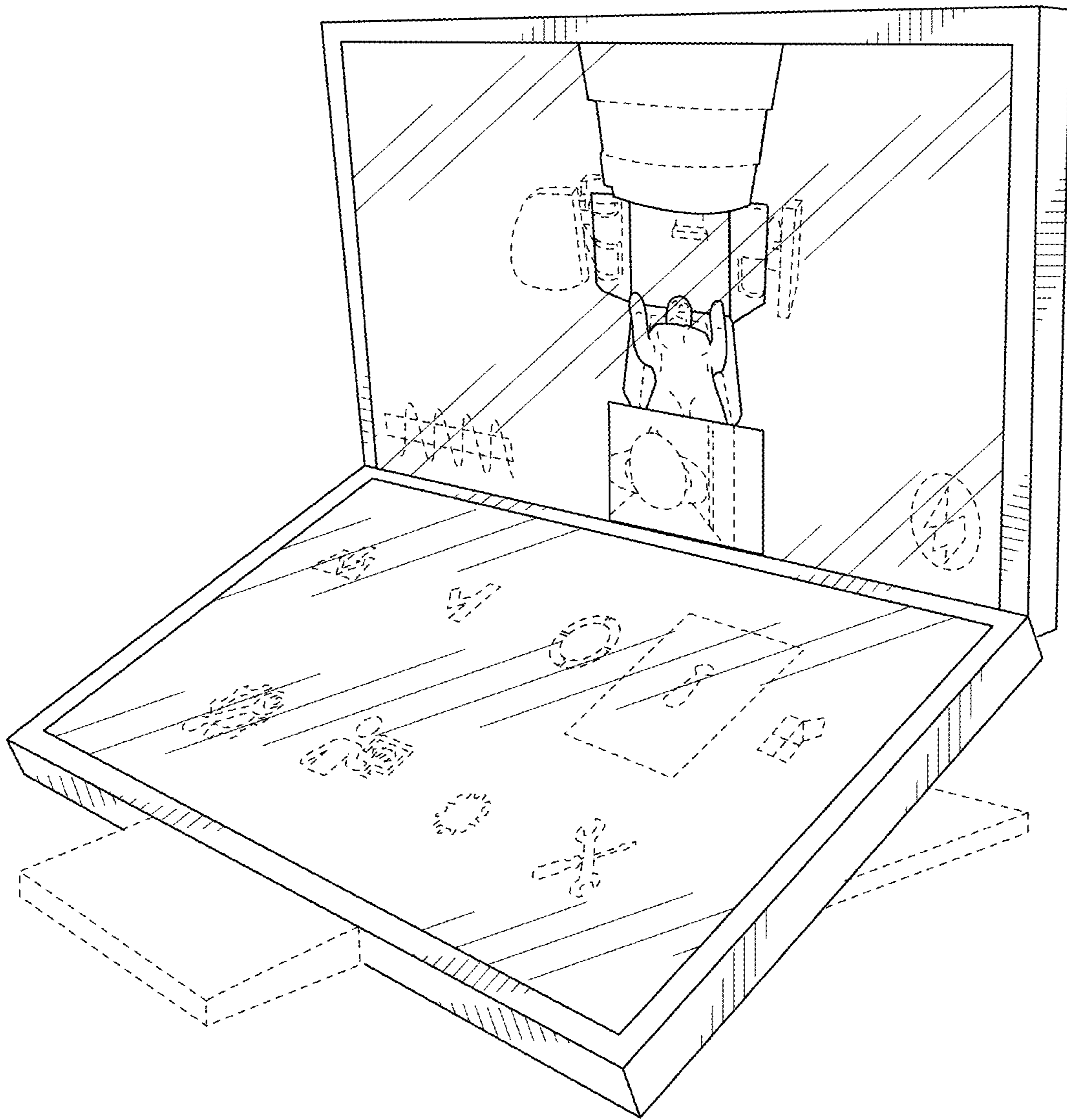


FIG. 15

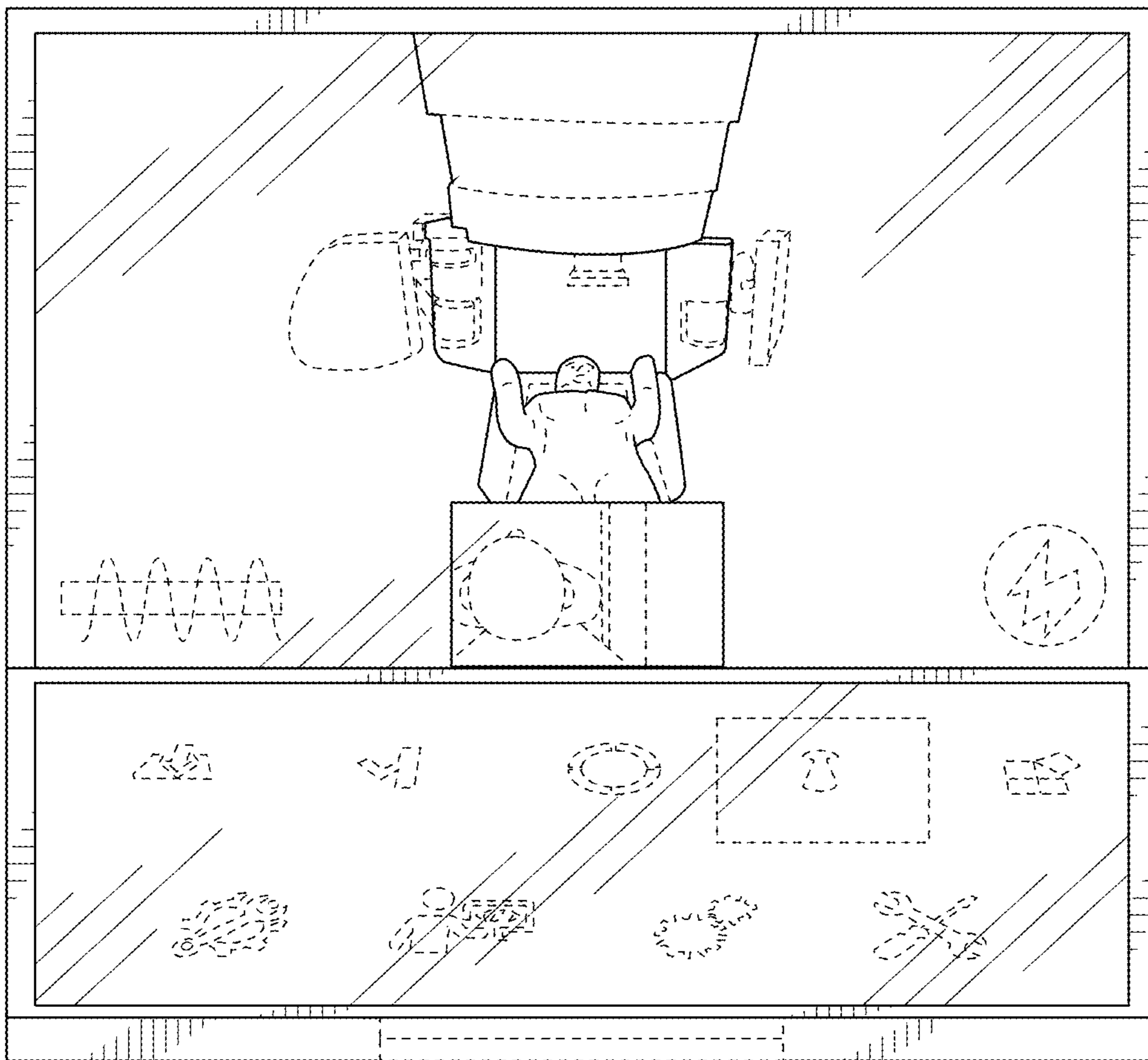


FIG. 16

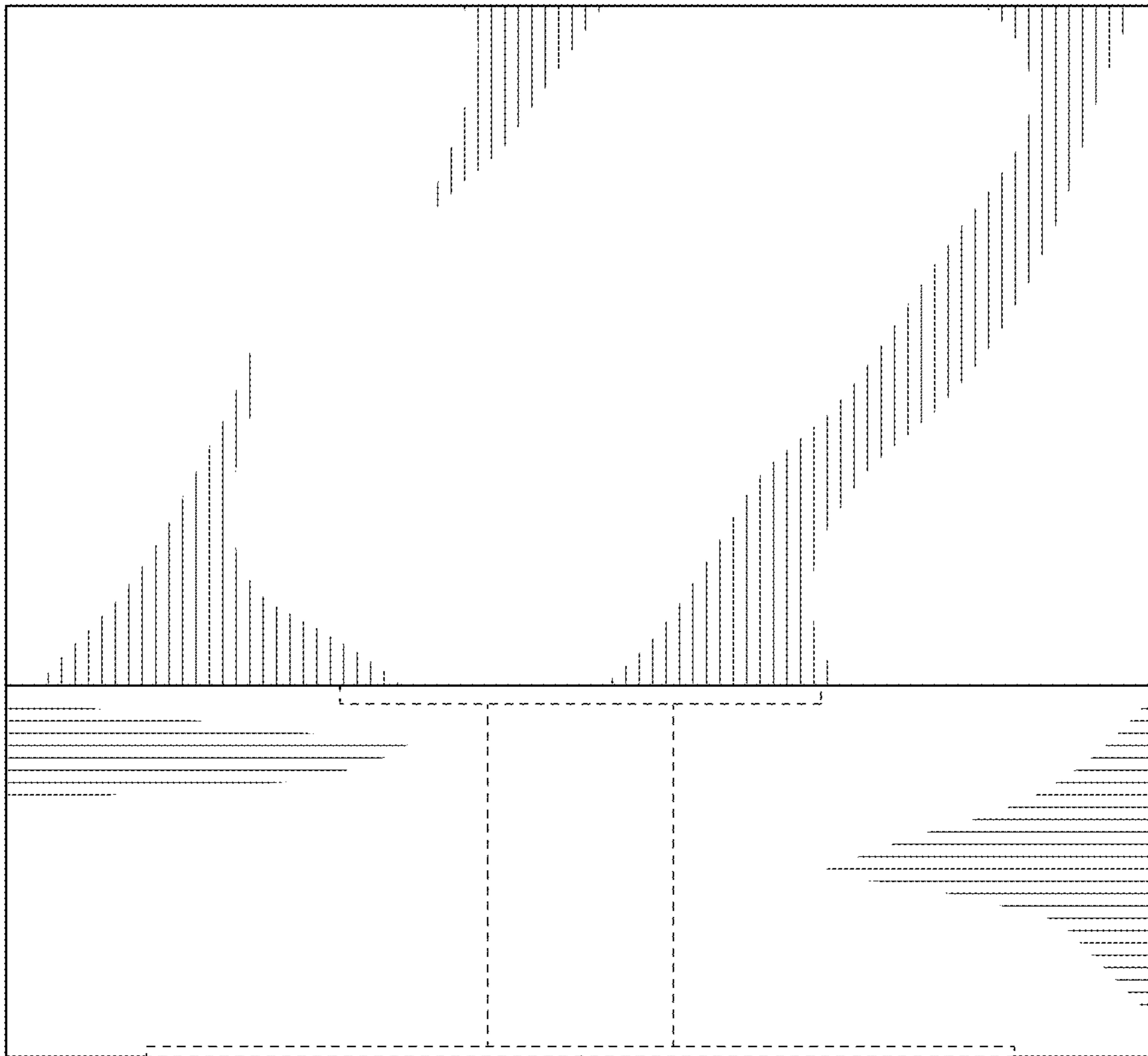


FIG. 17

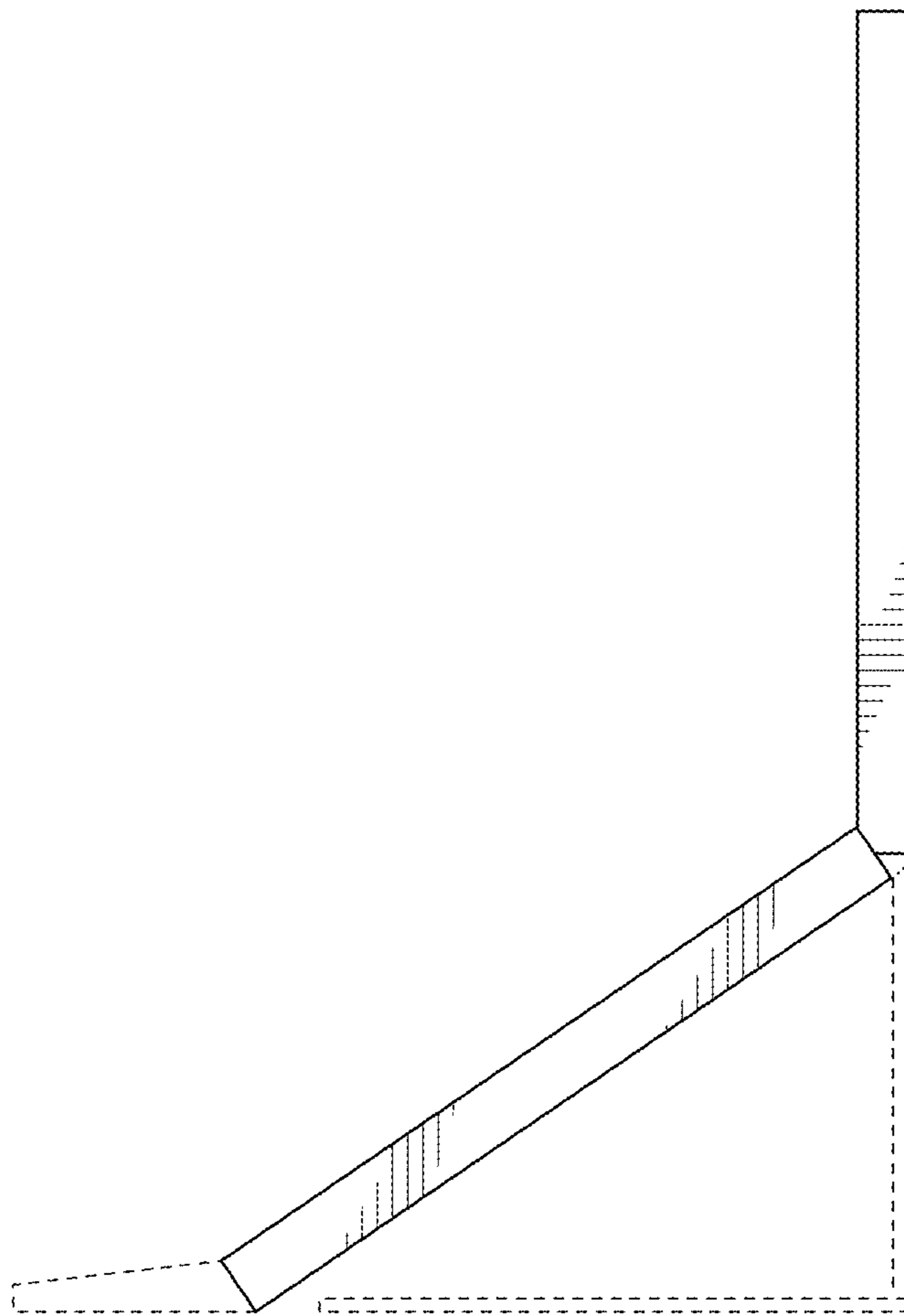


FIG. 18

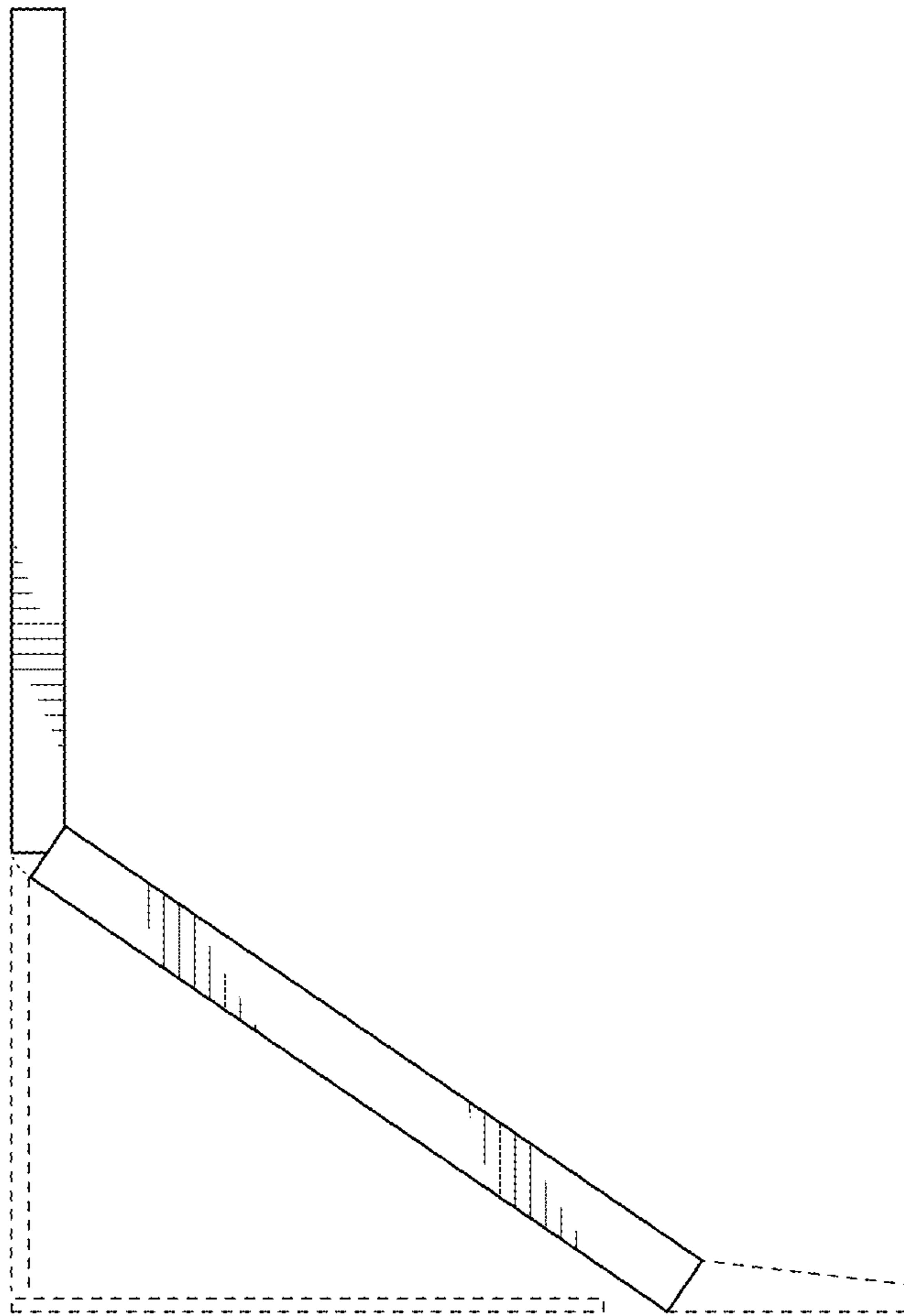


FIG. 19

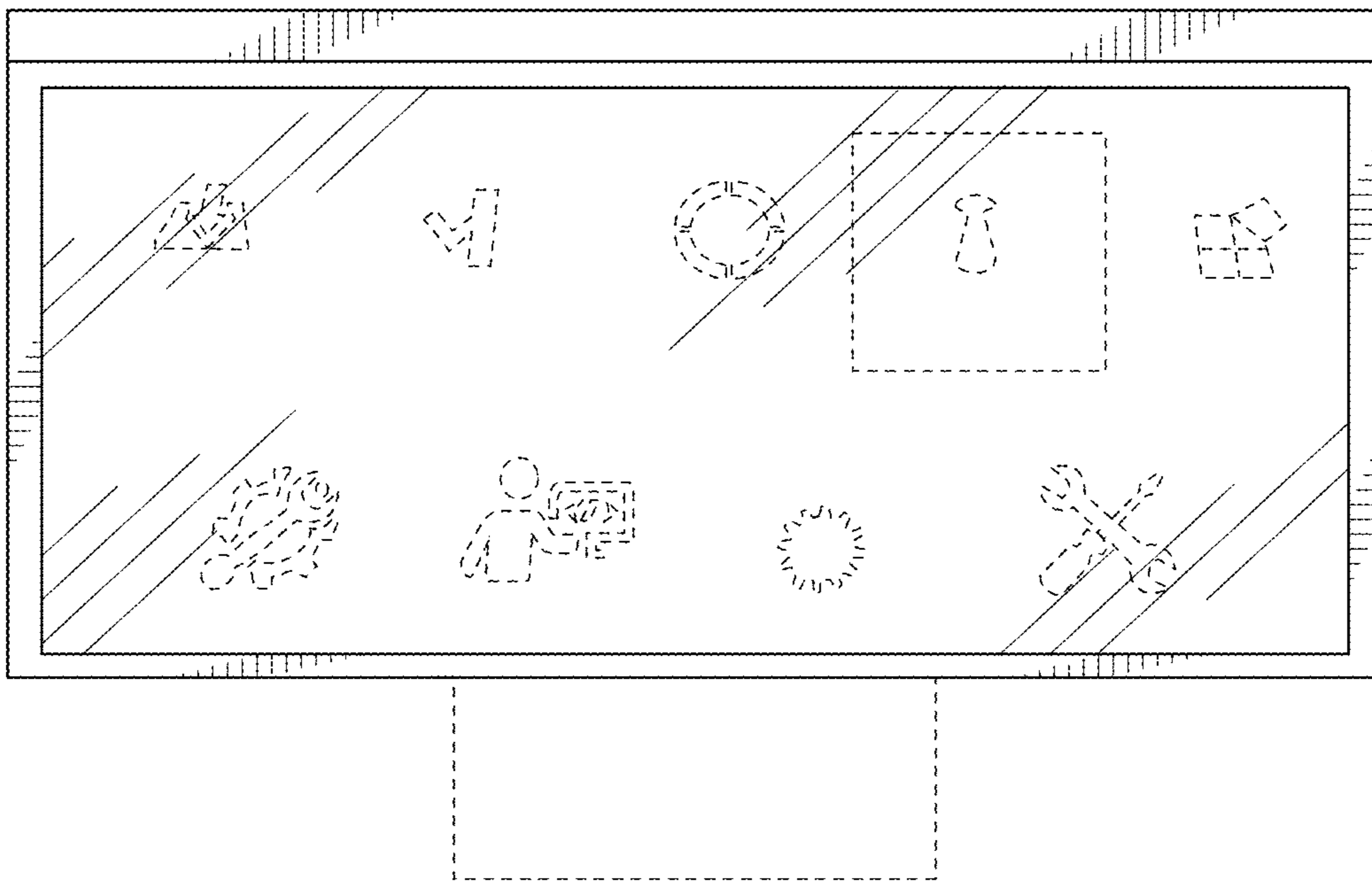


FIG. 20

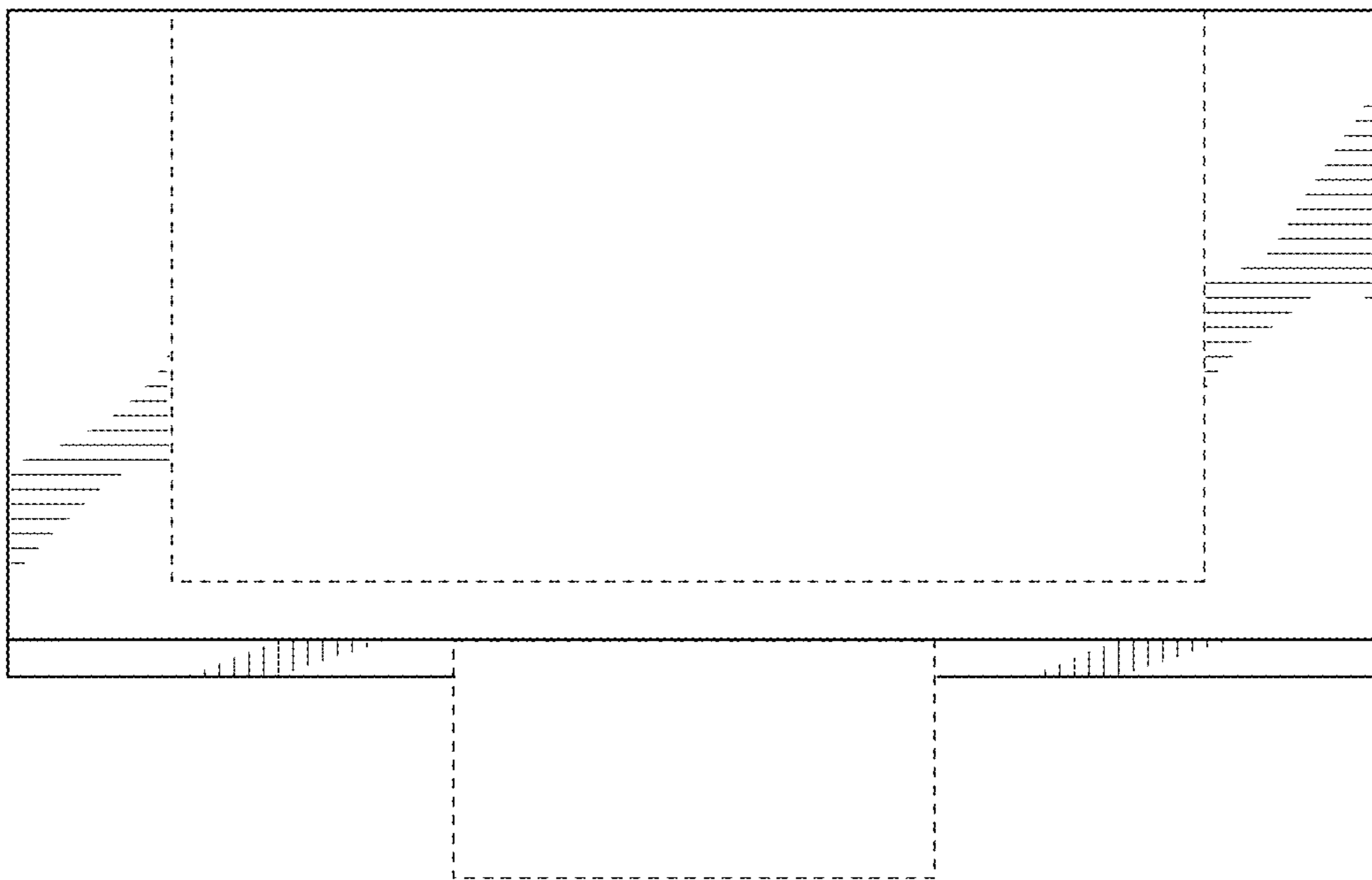


FIG. 21

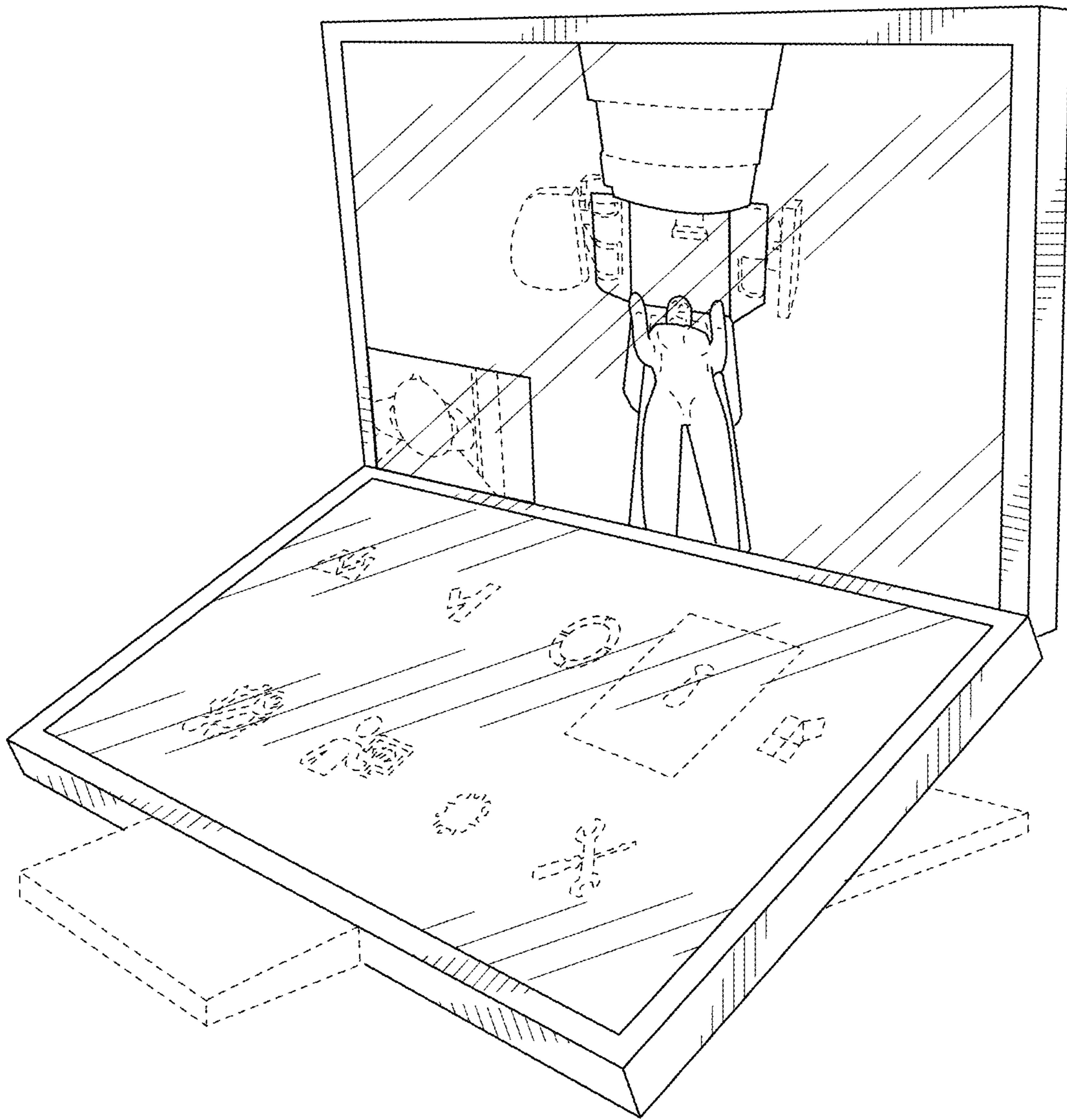


FIG. 22

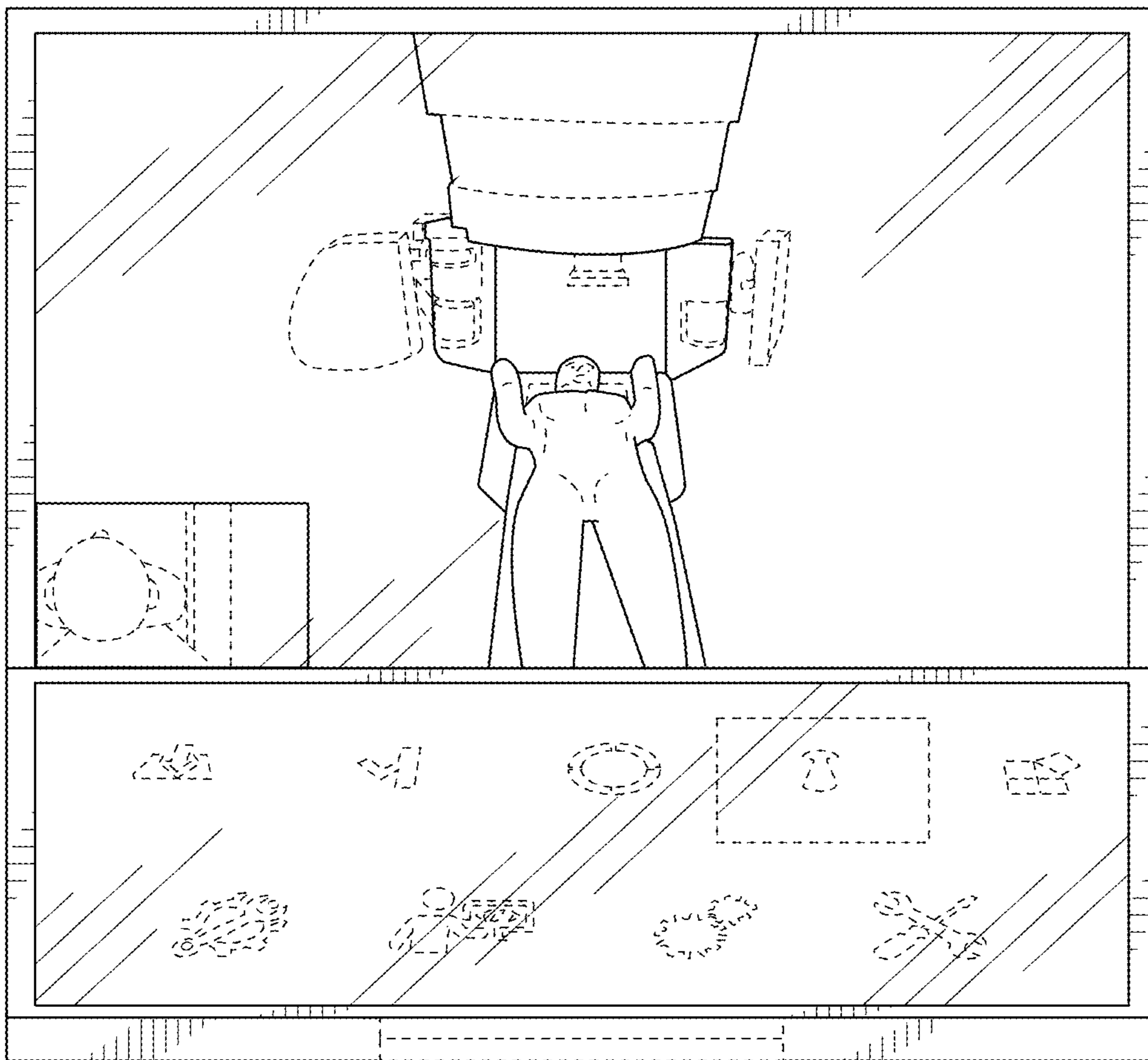


FIG. 23

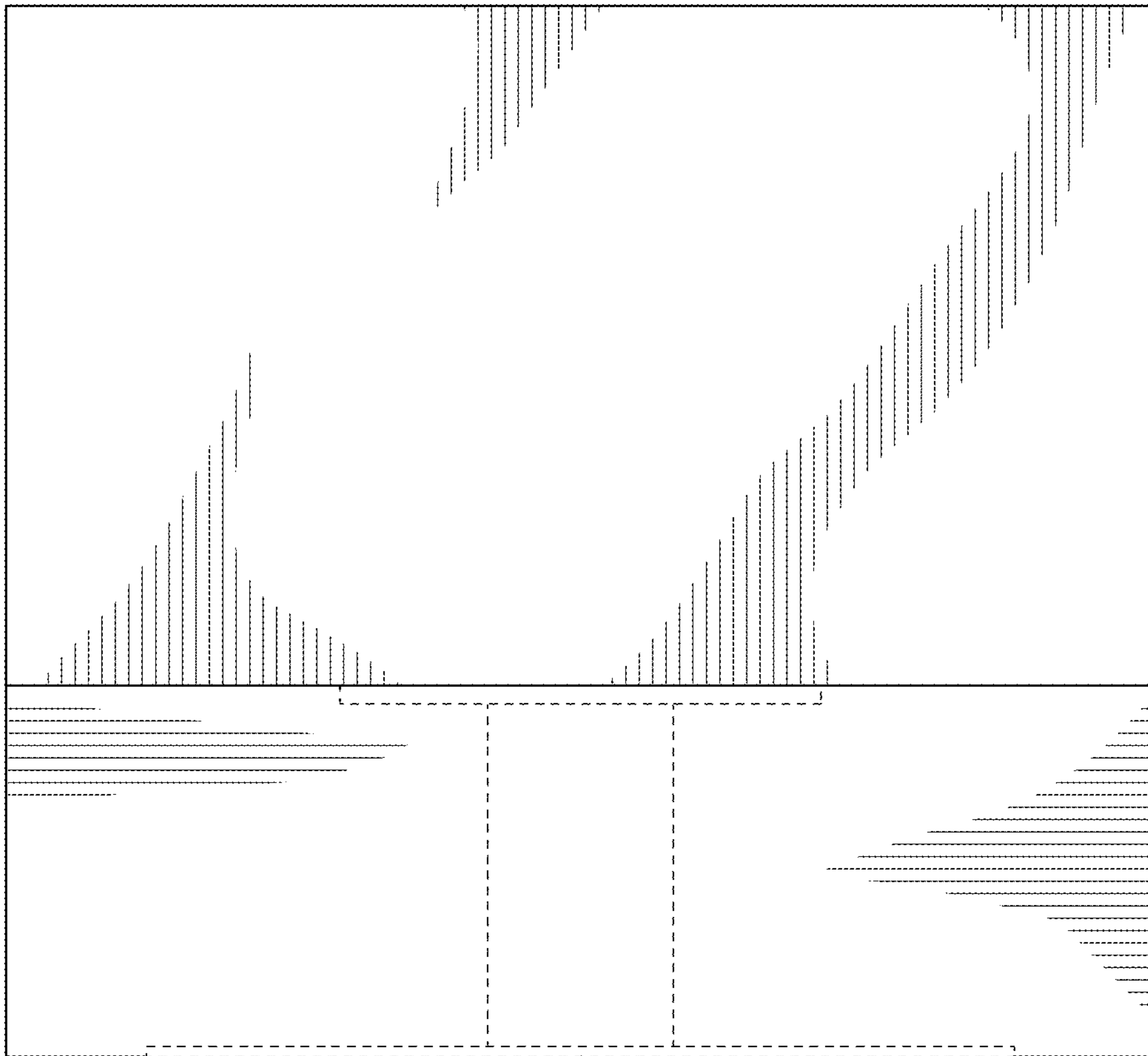


FIG. 24

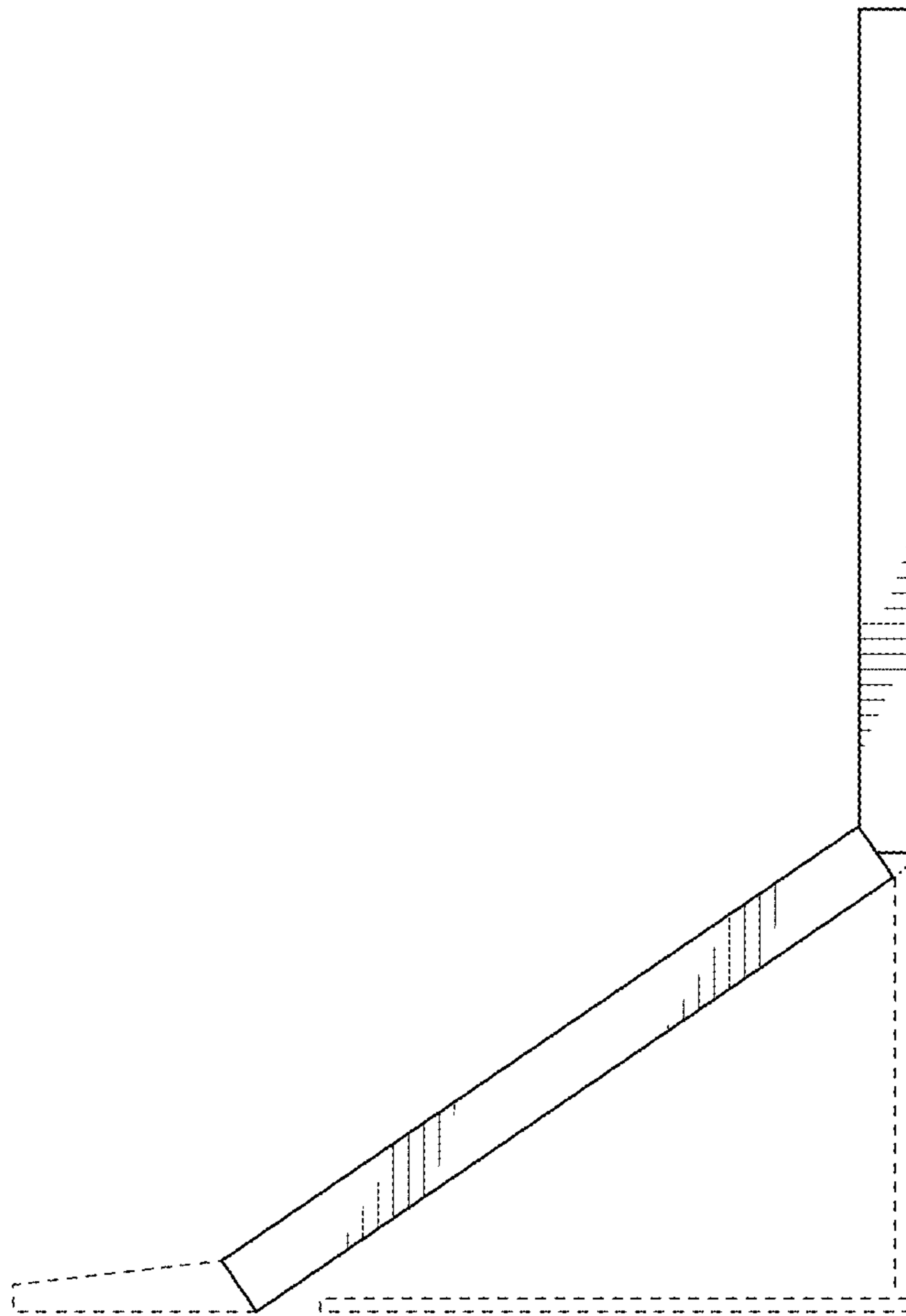


FIG. 25

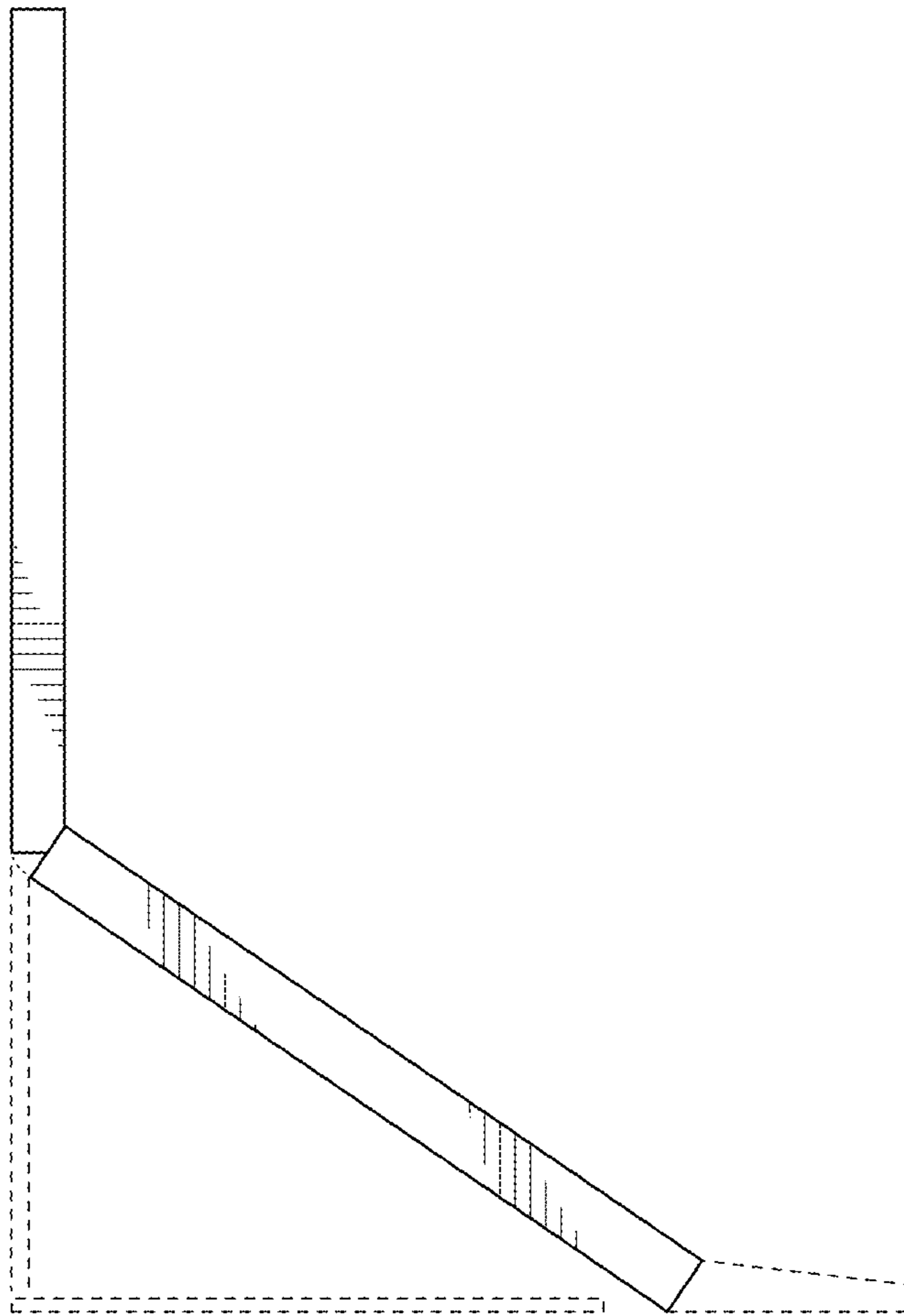


FIG. 26

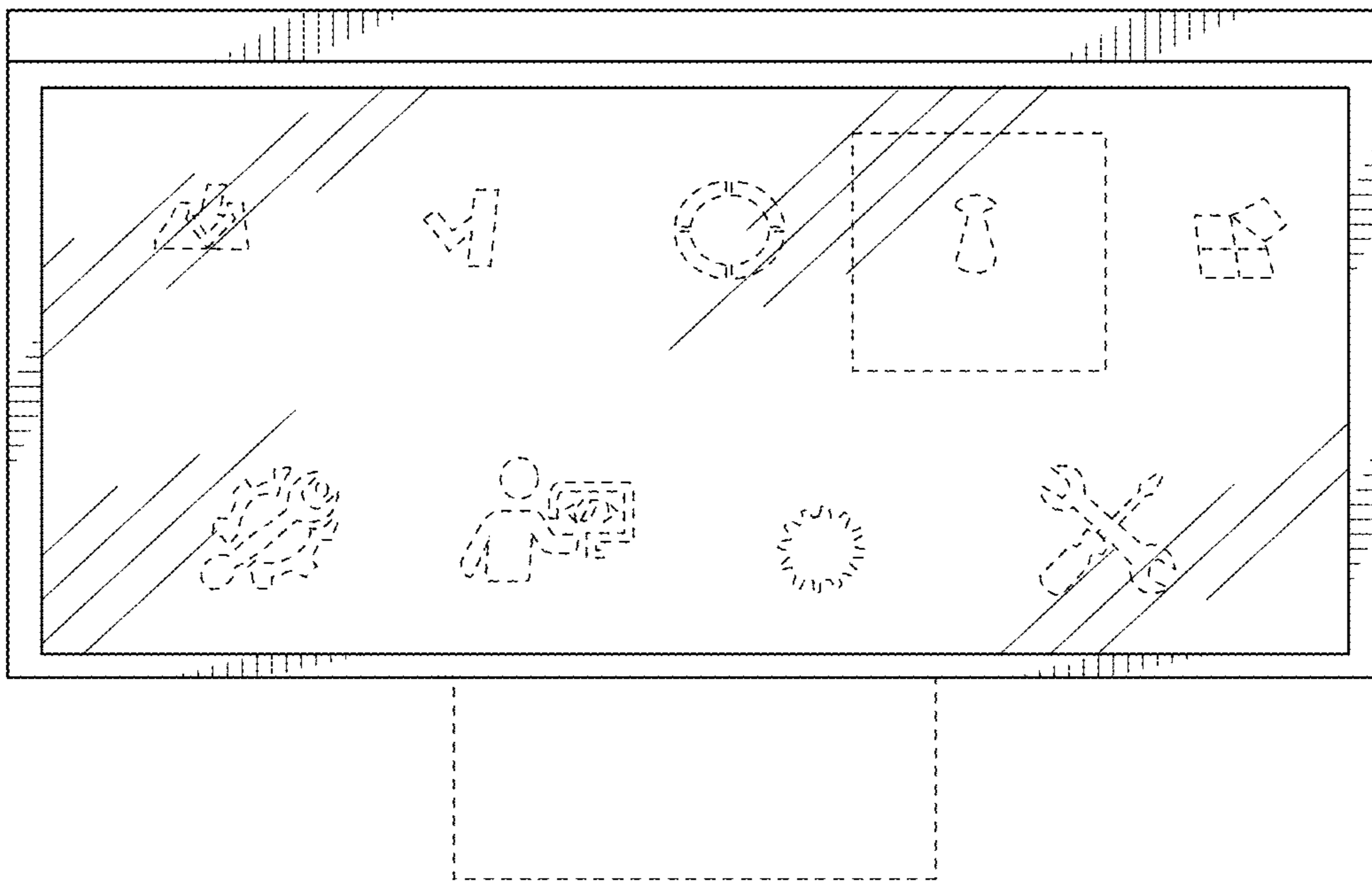


FIG. 27

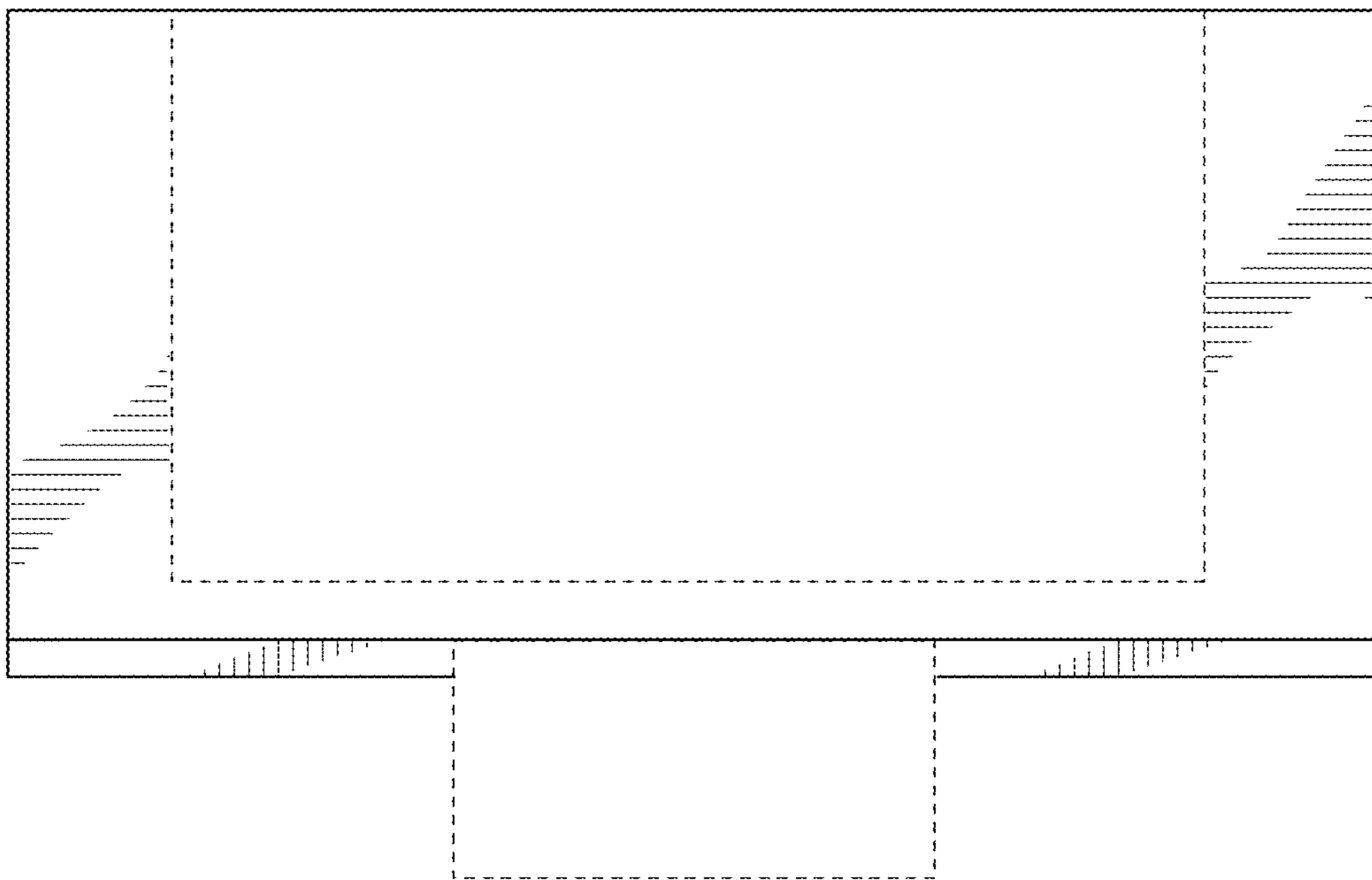


FIG. 28

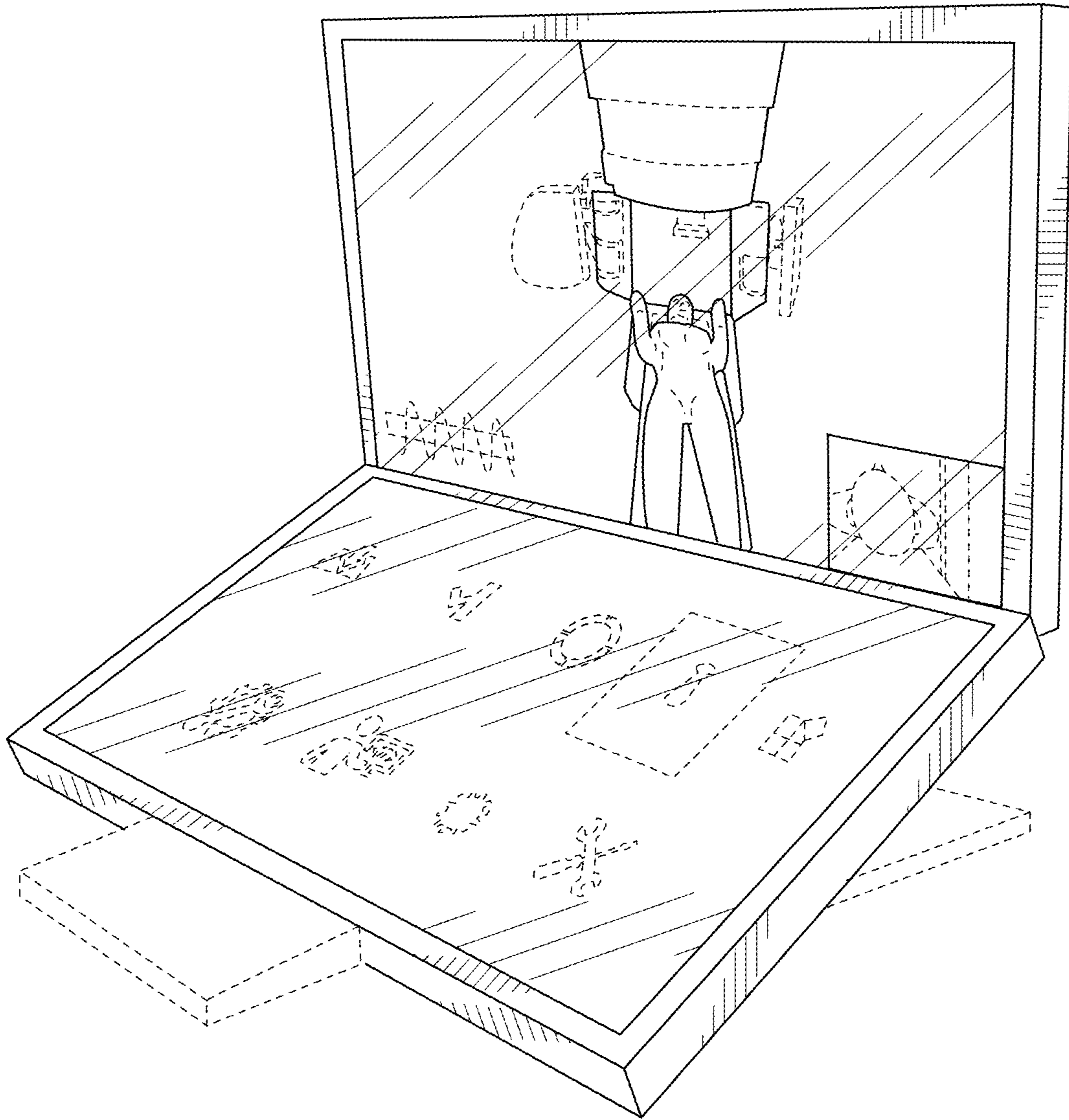


FIG. 29

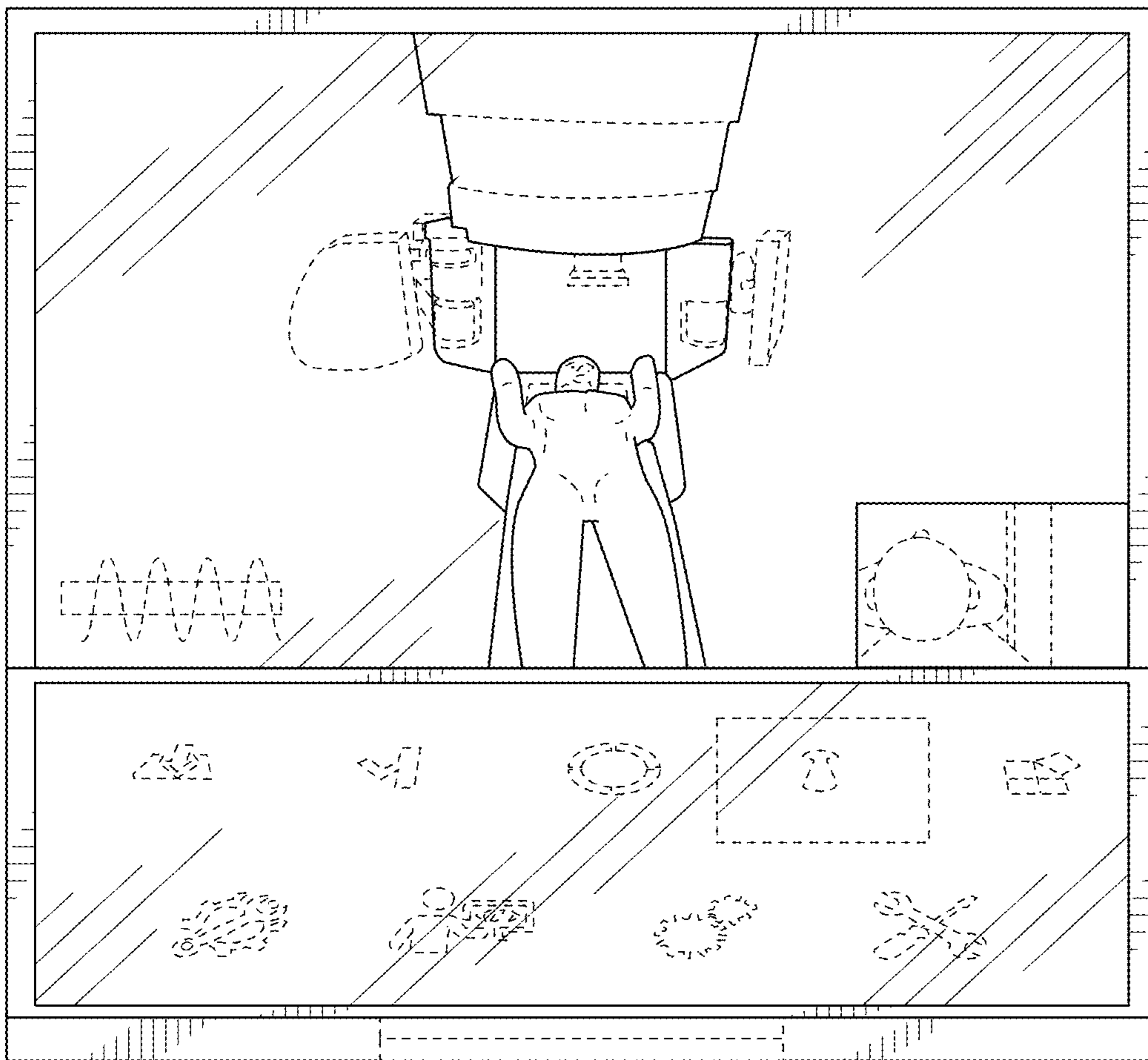


FIG. 30

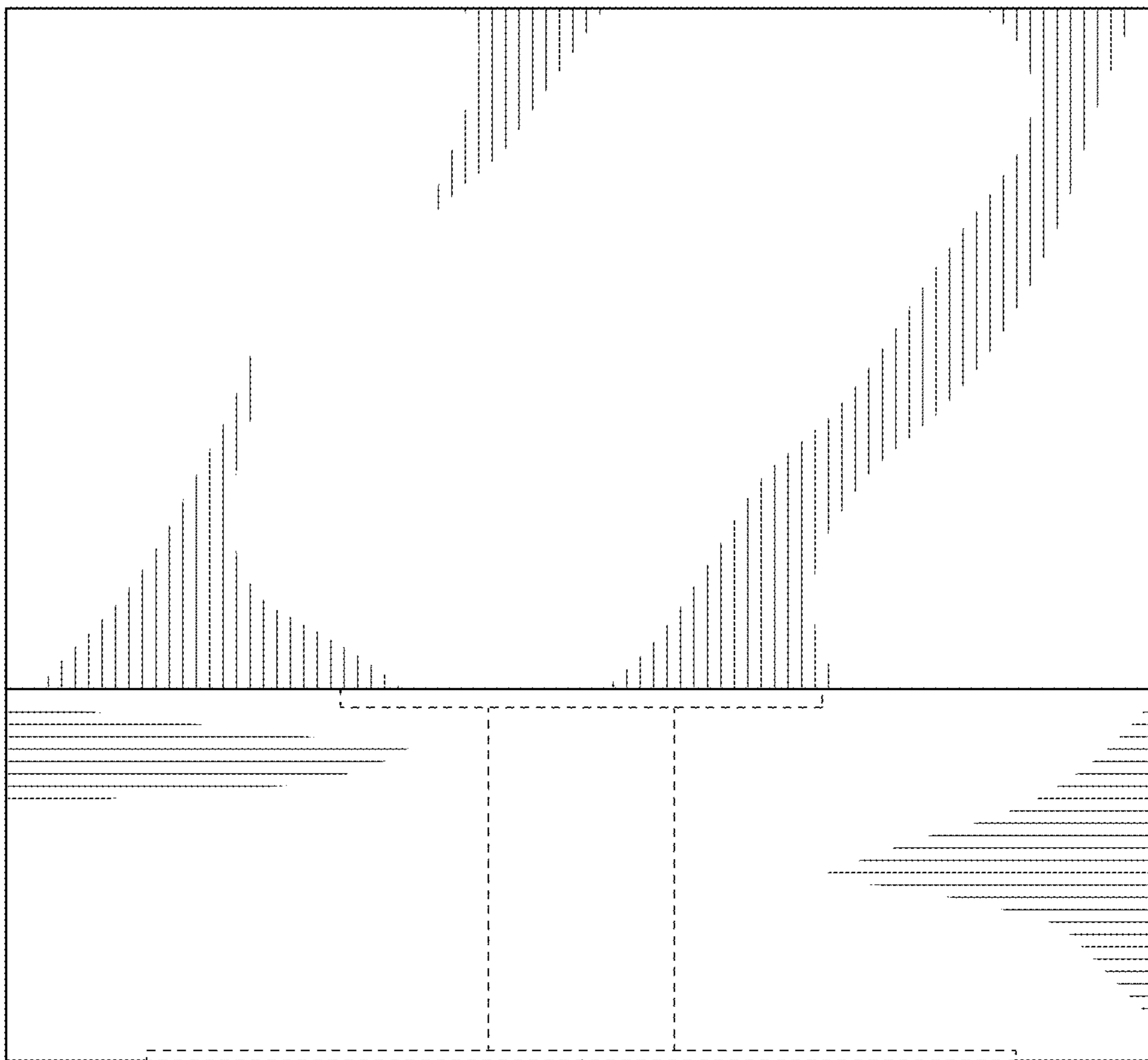


FIG. 31

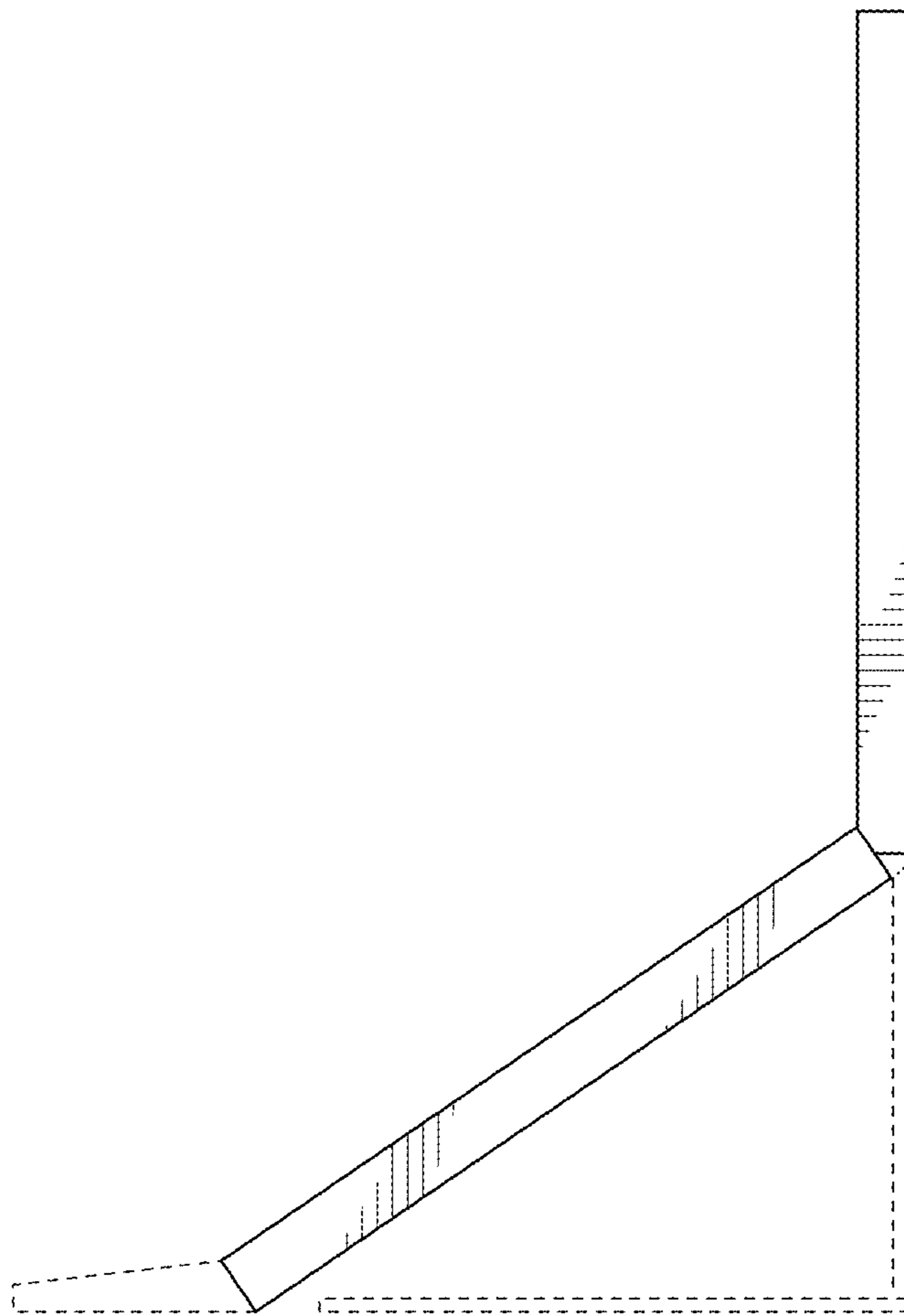


FIG. 32

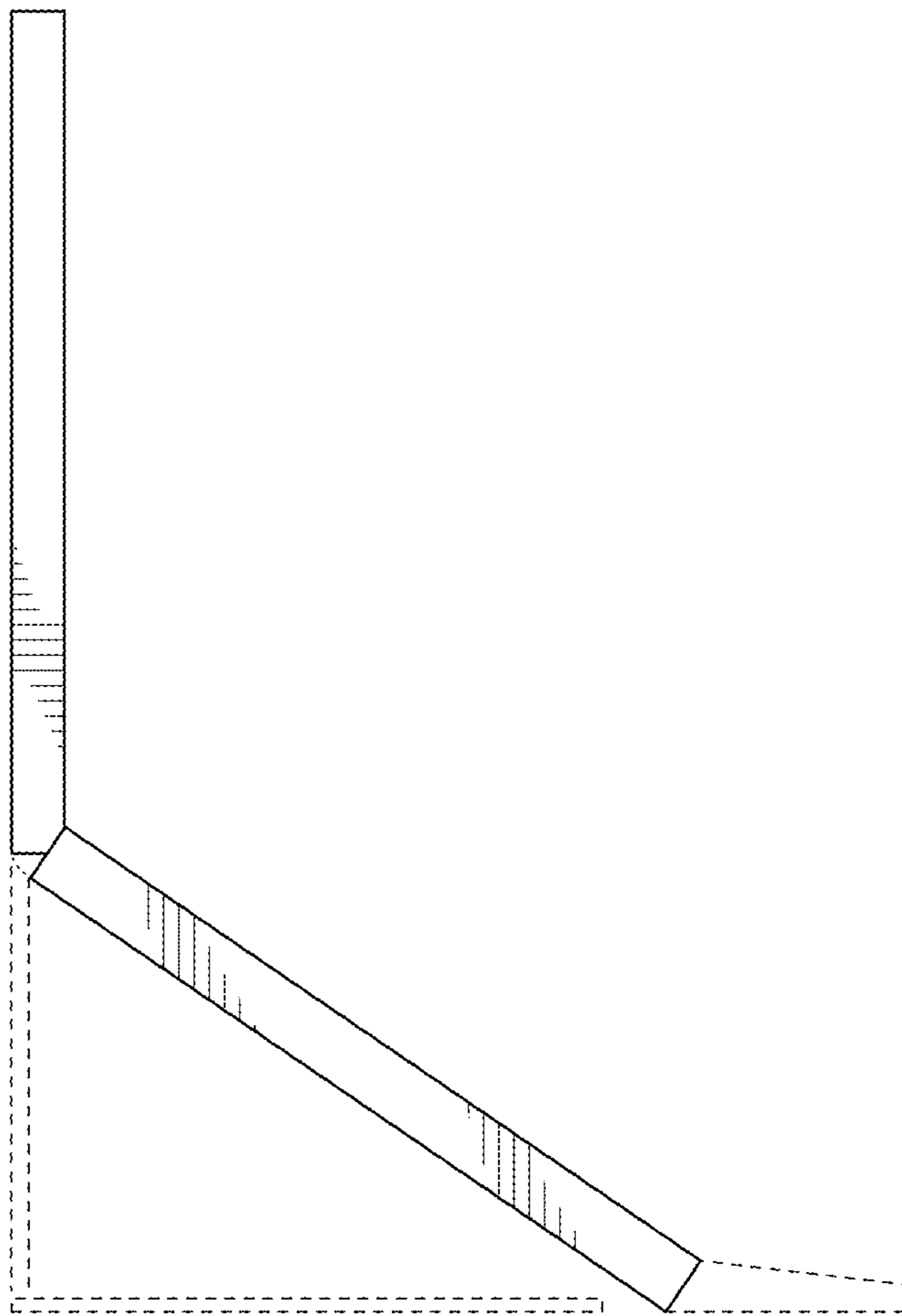


FIG. 33

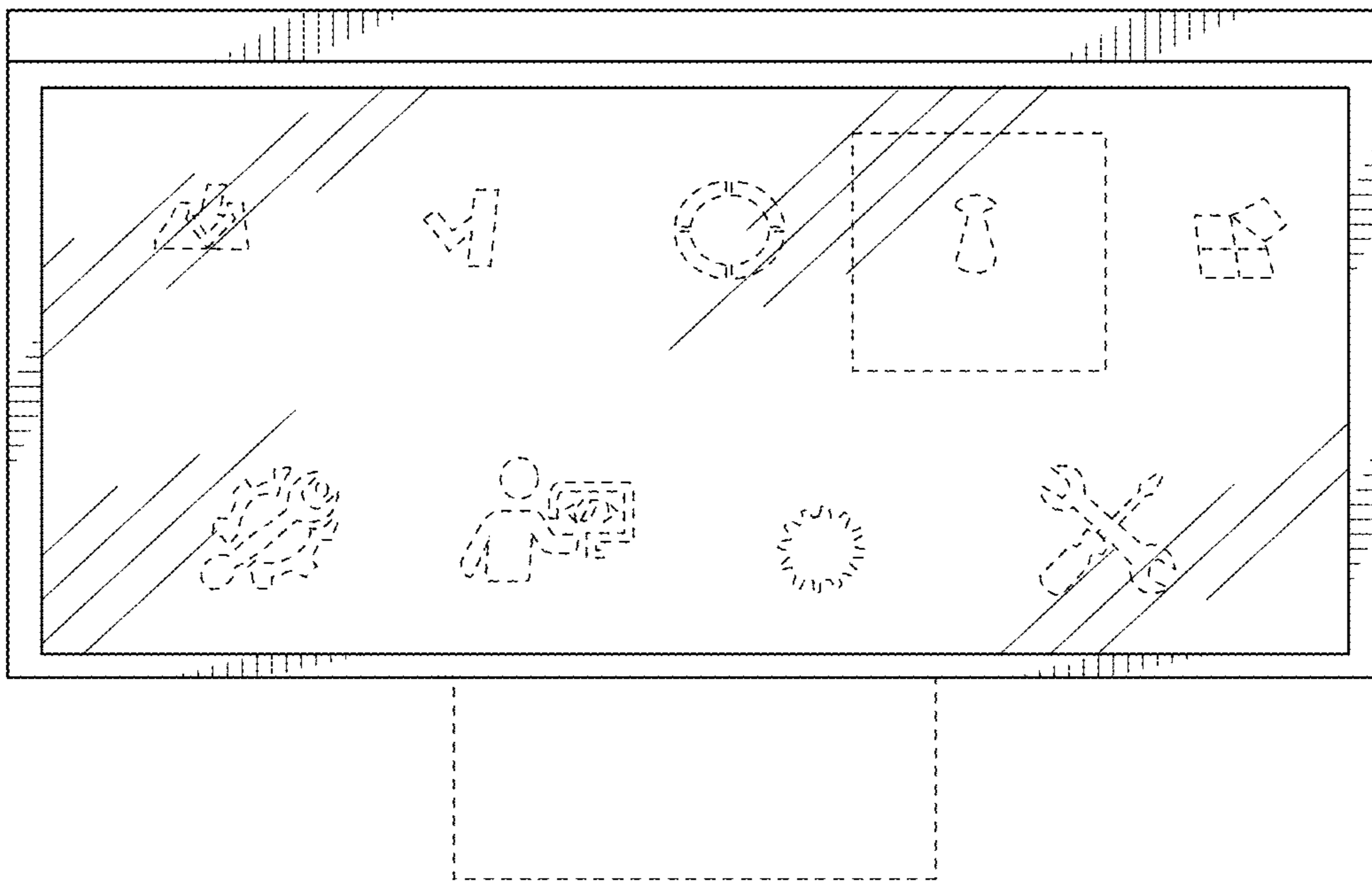


FIG. 34

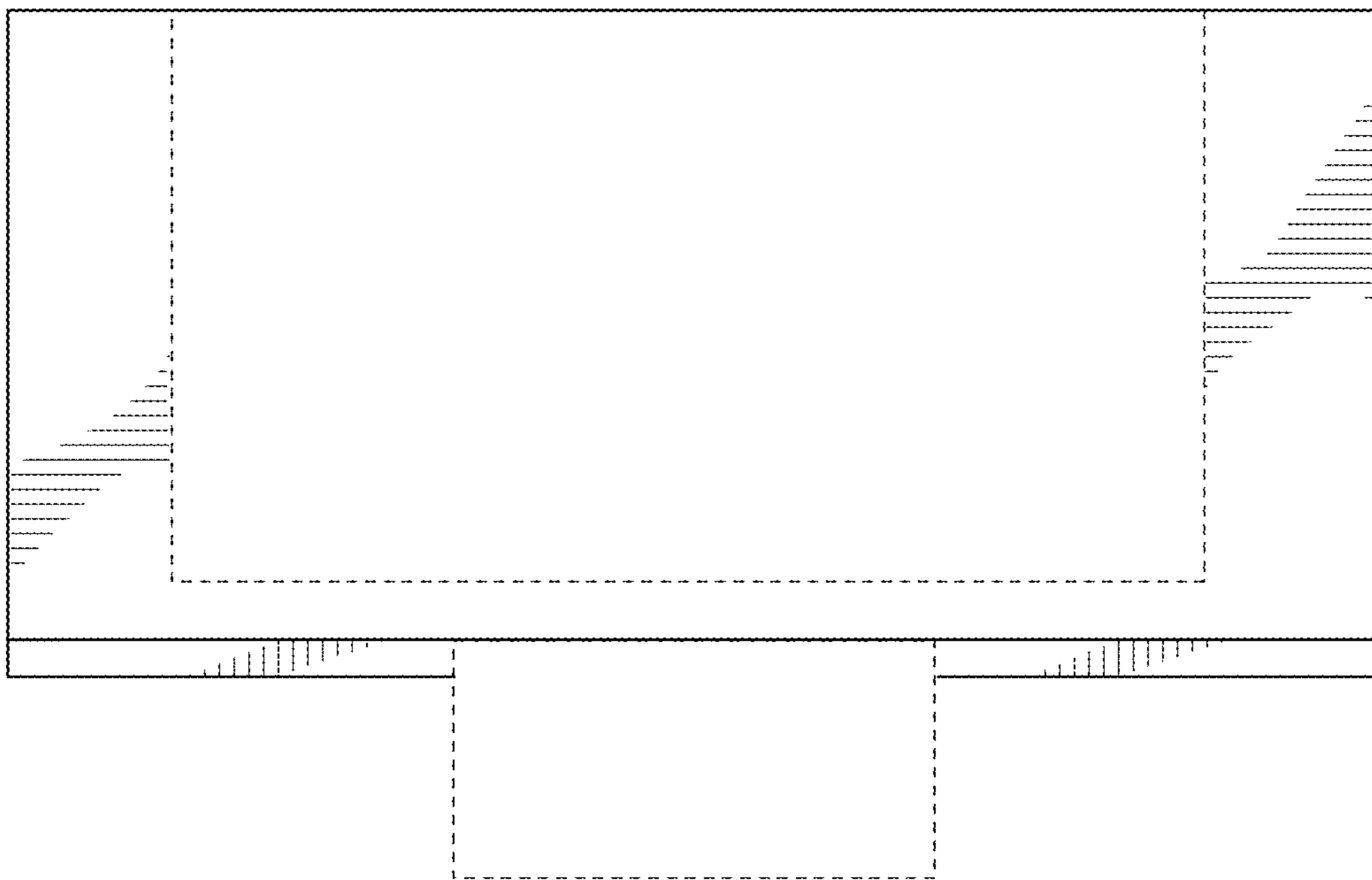


FIG. 35