



US00D941817S

(12) **United States Design Patent**
Lee et al.

(10) **Patent No.:** **US D941,817 S**
(45) **Date of Patent:** **** Jan. 25, 2022**

(54) **INDOOR WALL UNIT**
(71) Applicant: **LG ELECTRONICS INC.,** Seoul
(KR)

D723,488 S * 3/2015 Seo D14/126
D730,856 S * 6/2015 Park D14/126
D737,474 S * 8/2015 Geldart D25/138
D740,242 S * 10/2015 Park D14/126
D783,020 S * 4/2017 Inoue D14/374

(Continued)

(72) Inventors: **Bumsang Lee,** Seoul (KR);
Youngkyoung Kim, Seoul (KR); **Junki Kim,** Seoul (KR); **Taeho Kim,** Seoul (KR); **Junghan Ryu,** Seoul (KR); **Kyusuh Park,** Seoul (KR); **Chulmin Lim,** Seoul (KR); **Mijin Jung,** Seoul (KR); **Junghyun Joo,** Seoul (KR); **Jipyo Hong,** Seoul (KR)

FOREIGN PATENT DOCUMENTS

WO WO-D201325-001 * 8/2019

OTHER PUBLICATIONS

Line Design Wall Panel, Trolldtekt, trolldtekt.com, author unlisted, published on Aug. 4, 2020 © not listed, online, site visited Apr. 24, 2021. Available at URL: https://www.trolldtekt.com/product-range/design-solutions/line_design/ (Year: 2020).*

(73) Assignee: **LG ELECTRONICS INC.,** Seoul
(KR)

Primary Examiner — Holly E Thurman
Assistant Examiner — Altaira J Swangin
(74) *Attorney, Agent, or Firm* — Birch, Stewart, Kolasch & Birch, LLP

(**) Term: **15 Years**

(21) Appl. No.: **29/729,408**

(22) Filed: **Mar. 26, 2020**

(57) **CLAIM**

The ornamental design for an indoor wall unit, as shown and described.

(30) **Foreign Application Priority Data**

Sep. 26, 2019 (KR) 30-2019-0046490

DESCRIPTION

(51) **LOC (13) Cl.** **14-02**

(52) **U.S. Cl.**
USPC **D14/373**

(58) **Field of Classification Search**
USPC D14/371, 373, 125-128, 217, 374, 900;
D6/332, 512, 713-714; D25/60, 138
CPC A63F 9/0861; E04C 2/46; E04B 2/74;
H05K 5/0017
See application file for complete search history.

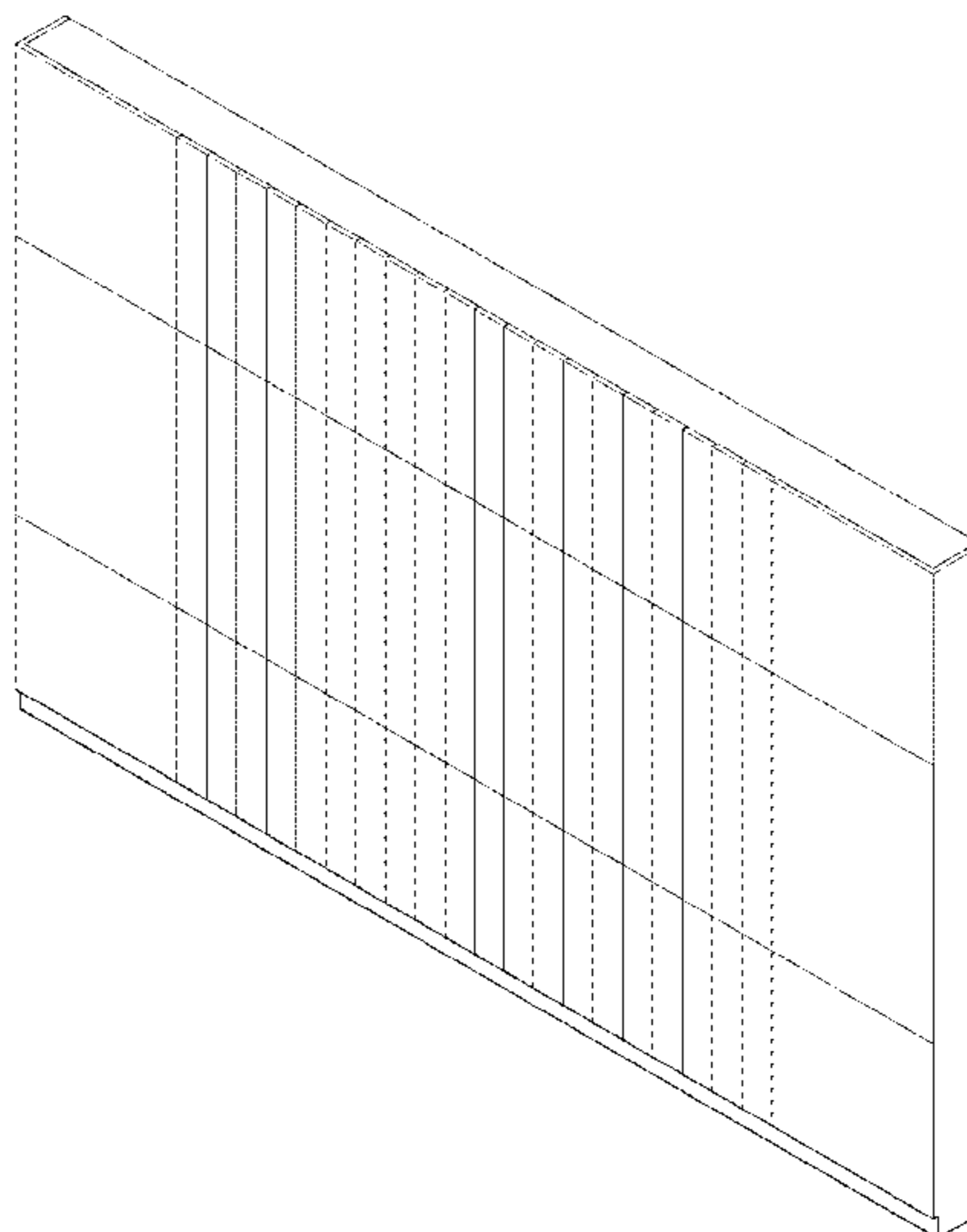
FIG. 1 is a front perspective view of the indoor wall unit showing our new design;
FIG. 2 is a front view thereof;
FIG. 3 is a rear view thereof;
FIG. 4 is a left side view thereof where the right side view is a mirror image;
FIG. 5 is a top view thereof;
FIG. 6 is a bottom view thereof; and,
FIG. 7 is another front perspective view in a state of use with environment.
The broken lines, showing widgets displayed on the front right surface in FIG. 7, illustrate environment that forms no part of the claimed design.

(56) **References Cited**

U.S. PATENT DOCUMENTS

D299,794 S * 2/1989 Helstab D6/332
D642,814 S * 8/2011 Pensi D6/332
D649,662 S * 11/2011 Amend D25/138
D715,799 S * 10/2014 Ozolins D14/374

1 Claim, 7 Drawing Sheets



(56)

References Cited

U.S. PATENT DOCUMENTS

D795,868 S * 8/2017 Ozolins D14/374
D814,050 S * 3/2018 Darrow D25/103
D817,053 S * 5/2018 Arthur D6/714
D817,054 S * 5/2018 Hannoosh D6/714
D827,600 S * 9/2018 Lammens D14/126
D833,987 S * 11/2018 Poulheim D13/164
D834,539 S * 11/2018 Poulheim D13/164
D879,732 S * 3/2020 He D14/126
D885,382 S * 5/2020 Kim D14/371
D900,062 S * 10/2020 Park D14/217
D900,063 S * 10/2020 Park D14/217
D906,291 S * 12/2020 Park D14/217
10,932,385 B1 * 2/2021 Kim G09F 11/21
D915,634 S * 4/2021 Patterson D25/138
2018/0350277 A1 * 12/2018 Entwistle G09F 9/3026
2019/0037712 A1 * 1/2019 Kim H05K 5/0017
2019/0115731 A1 * 4/2019 Wisniewski H01H 13/86
2019/0166704 A1 * 5/2019 Shin H01L 25/0753
2019/0191574 A1 * 6/2019 Kim G09F 9/3026
2019/0252865 A1 * 8/2019 Bellows H05K 5/0017
2019/0277377 A1 * 9/2019 Heo G09F 9/33
2020/0022272 A1 * 1/2020 Lee H05K 5/0017
2020/0068726 A1 * 2/2020 Hwang E05C 3/04
2020/0344910 A1 * 10/2020 Joo E04C 2/46
2020/0380895 A1 * 12/2020 Nakano G09F 9/3026
2021/0004192 A1 * 1/2021 Kamiike H05K 5/0017
2021/0004194 A1 * 1/2021 Wickstrum H05K 5/0221
2021/0238845 A1 * 8/2021 Bickford E04B 2/721
2021/0247078 A1 * 8/2021 Nakagawa E04B 2/74

* cited by examiner

FIG. 1

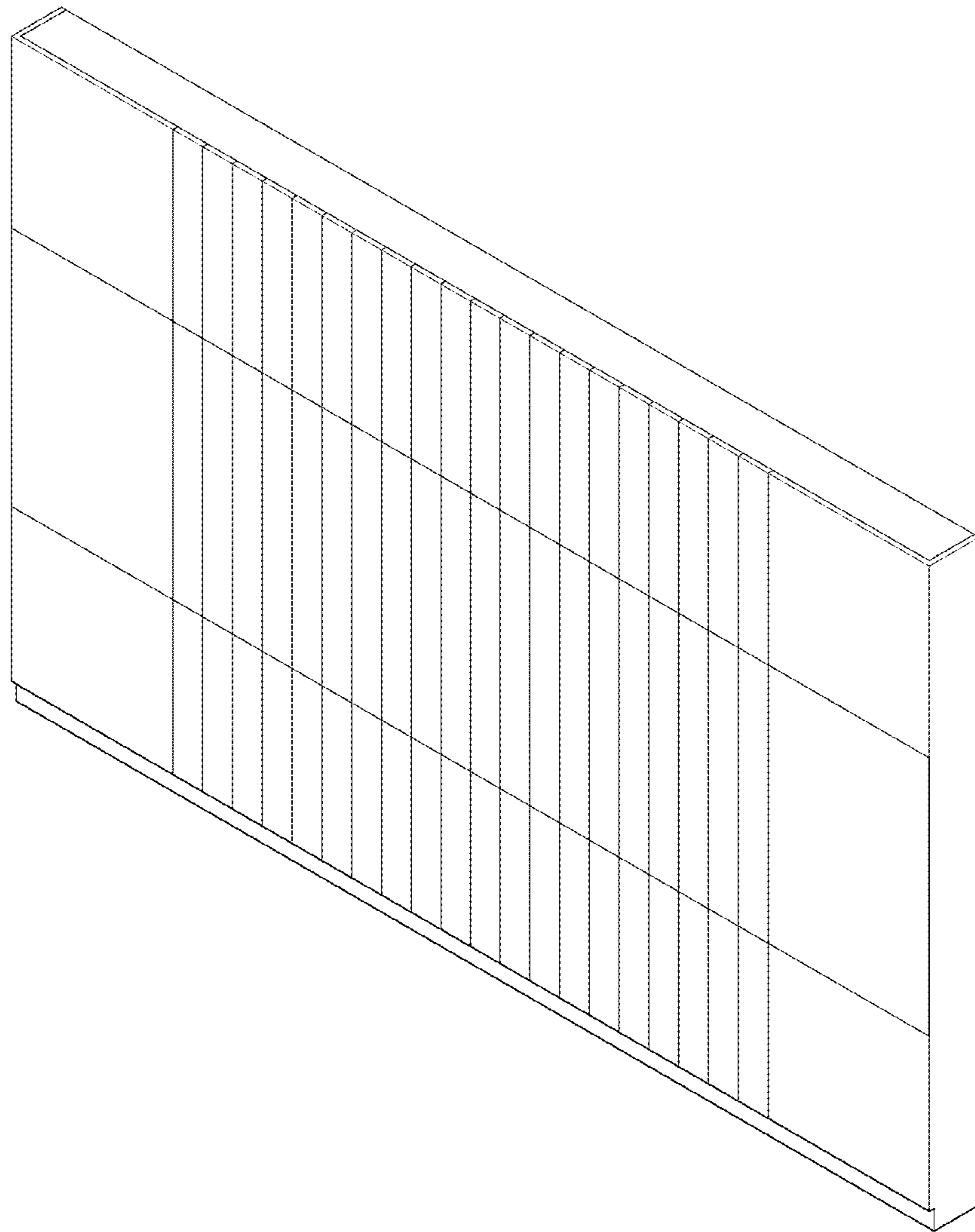


FIG. 2

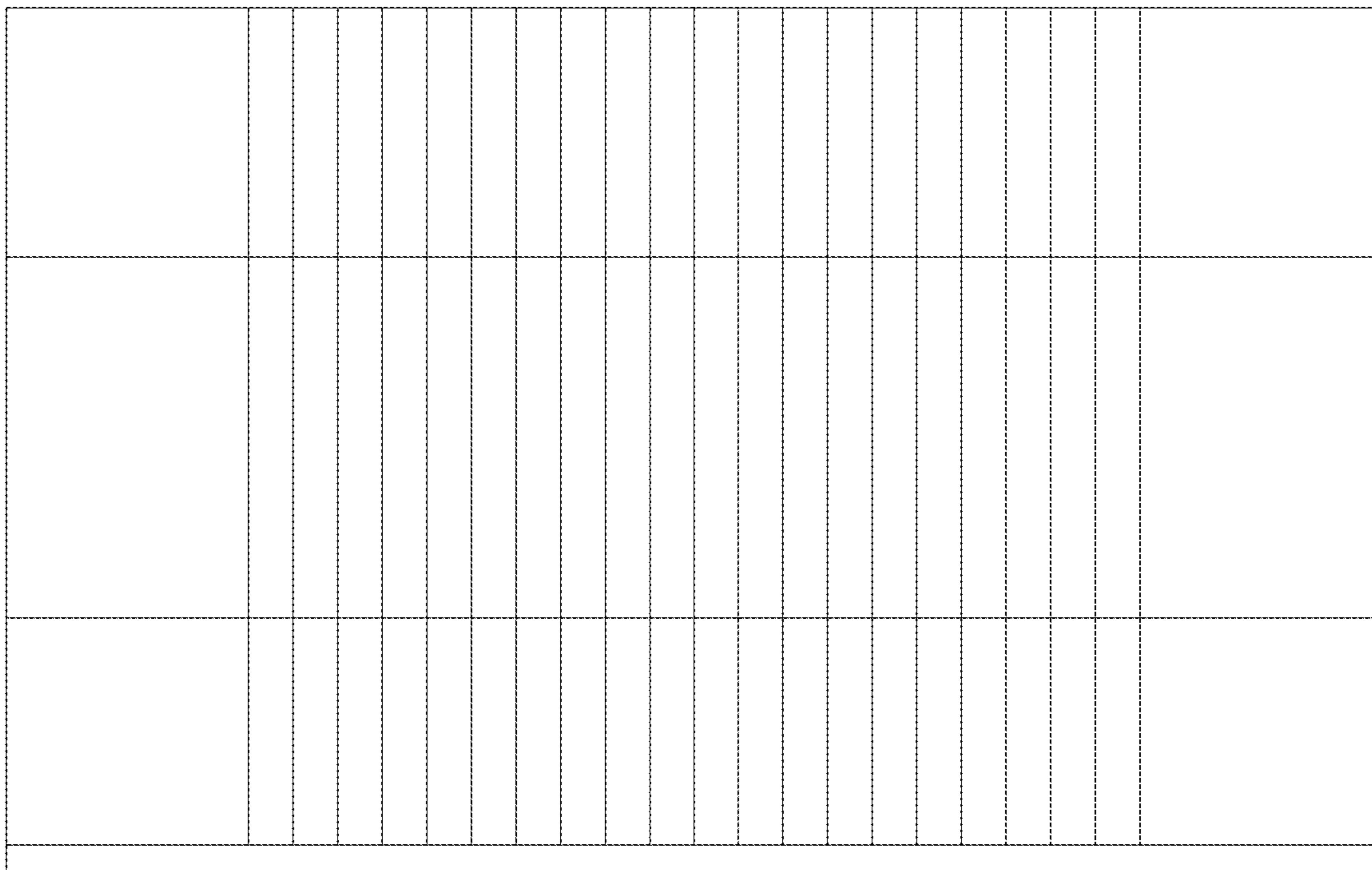


FIG. 3

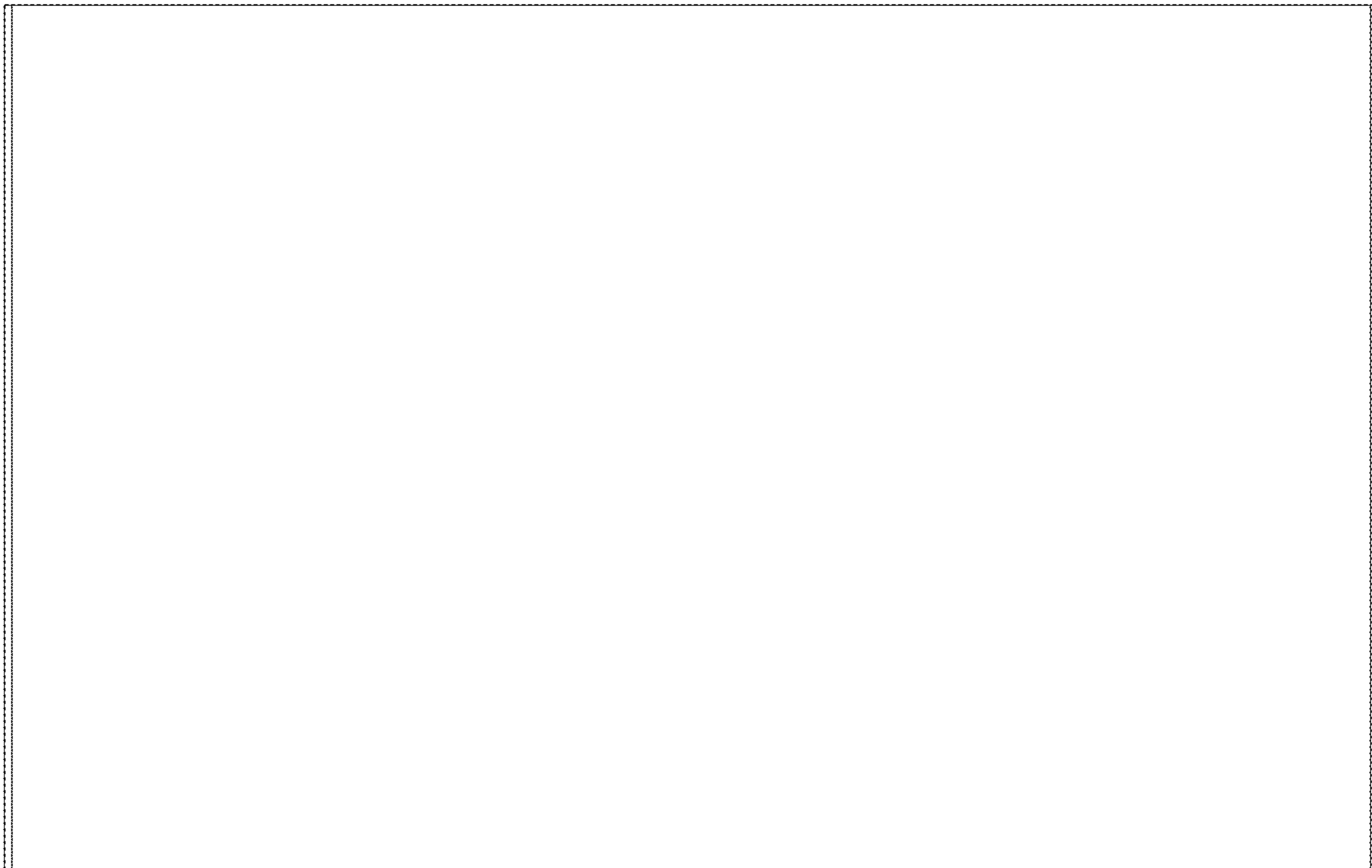


FIG. 4

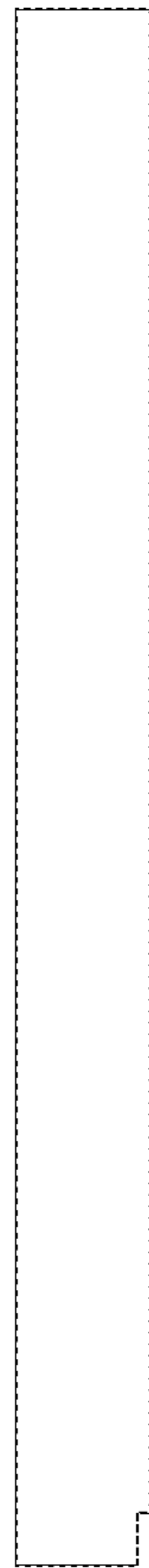


FIG. 5



FIG. 6

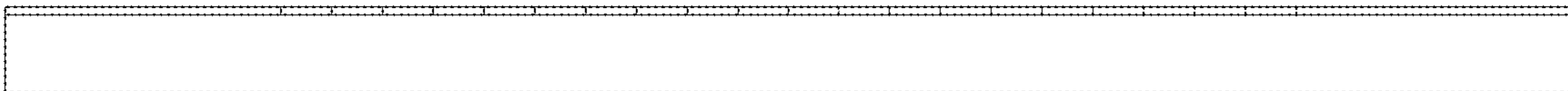


FIG. 7

