



US00D941814S

(12) **United States Design Patent**
Kim

(10) **Patent No.:** **US D941,814 S**

(45) **Date of Patent:** **** Jan. 25, 2022**

(54) **WIRELESS COMMUNICATION DEVICE**

(71) Applicant: **HelloFactory Co., Ltd.**, Seoul (KR)

(72) Inventor: **Kyungmin Kim**, Seoul (KR)

(73) Assignee: **HELLOFACTORY CO., LTD.**, Seoul (KR)

(**) Term: **15 Years**

(21) Appl. No.: **29/761,043**

(22) Filed: **Dec. 7, 2020**

(30) **Foreign Application Priority Data**

Oct. 12, 2020 (KR) 30-2020-0048597

(51) **LOC (13) Cl.** **14-02**

(52) **U.S. Cl.**
USPC **D14/358**; D13/168

(58) **Field of Classification Search**
USPC D13/164, 168; D14/155, 217, 218, 358, D14/434
CPC G08C 17/02; G09F 23/00; H01H 9/02; H01H 9/0214; H01H 9/0235; H04B 1/202
See application file for complete search history.

(56) **References Cited**

U.S. PATENT DOCUMENTS

D327,061 S * 6/1992 Soren D13/164
D442,561 S * 5/2001 Camarota D13/162
D483,281 S * 12/2003 Cobigo D10/104.1
D496,653 S * 9/2004 Townsend D14/240

D535,952 S * 1/2007 Fekete D14/299
D554,112 S * 10/2007 Brisben D14/240
D577,705 S * 9/2008 Marquez D14/149
D638,394 S * 5/2011 Richards D14/155
D784,287 S * 4/2017 Murray D14/168
D785,598 S * 5/2017 Ikonen D14/218
D825,531 S * 8/2018 Nokuo D14/218
D833,416 S * 11/2018 Hu D14/204
D859,401 S * 9/2019 Kim D14/358
D914,616 S * 3/2021 Gao D13/168

* cited by examiner

Primary Examiner — Selina Sikder

(74) *Attorney, Agent, or Firm* — Goldilocks Zone IP Law

(57) **CLAIM**

I claim the ornamental design for wireless communication device, as shown and described.

DESCRIPTION

FIG. 1 is a perspective view of wireless communication device showing my new design;
FIG. 2 is a front view of wireless communication device showing my new design;
FIG. 3 is a rear view of wireless communication device showing my new design;
FIG. 4 is a left view of wireless communication device showing my new design;
FIG. 5 is a right view of wireless communication device showing my new design;
FIG. 6 is a top view of wireless communication device showing my new design; and,
FIG. 7 is a bottom view of wireless communication device showing my new design.

1 Claim, 7 Drawing Sheets

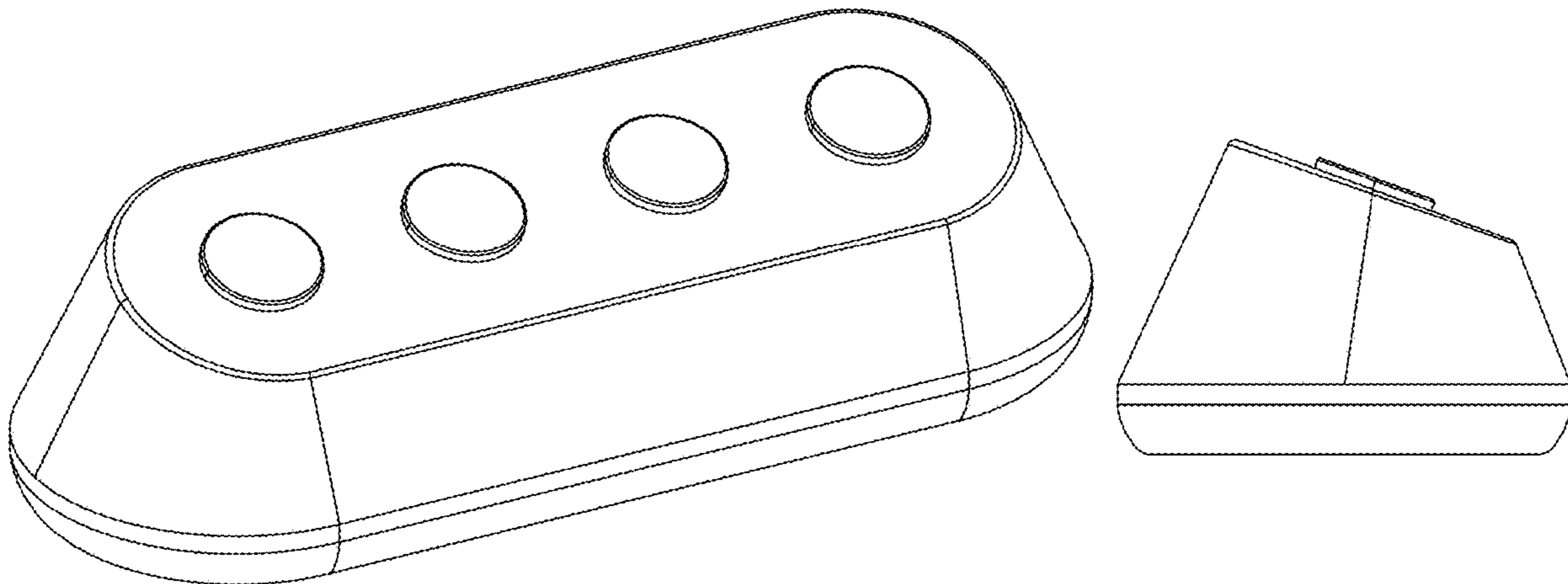


FIG. 1

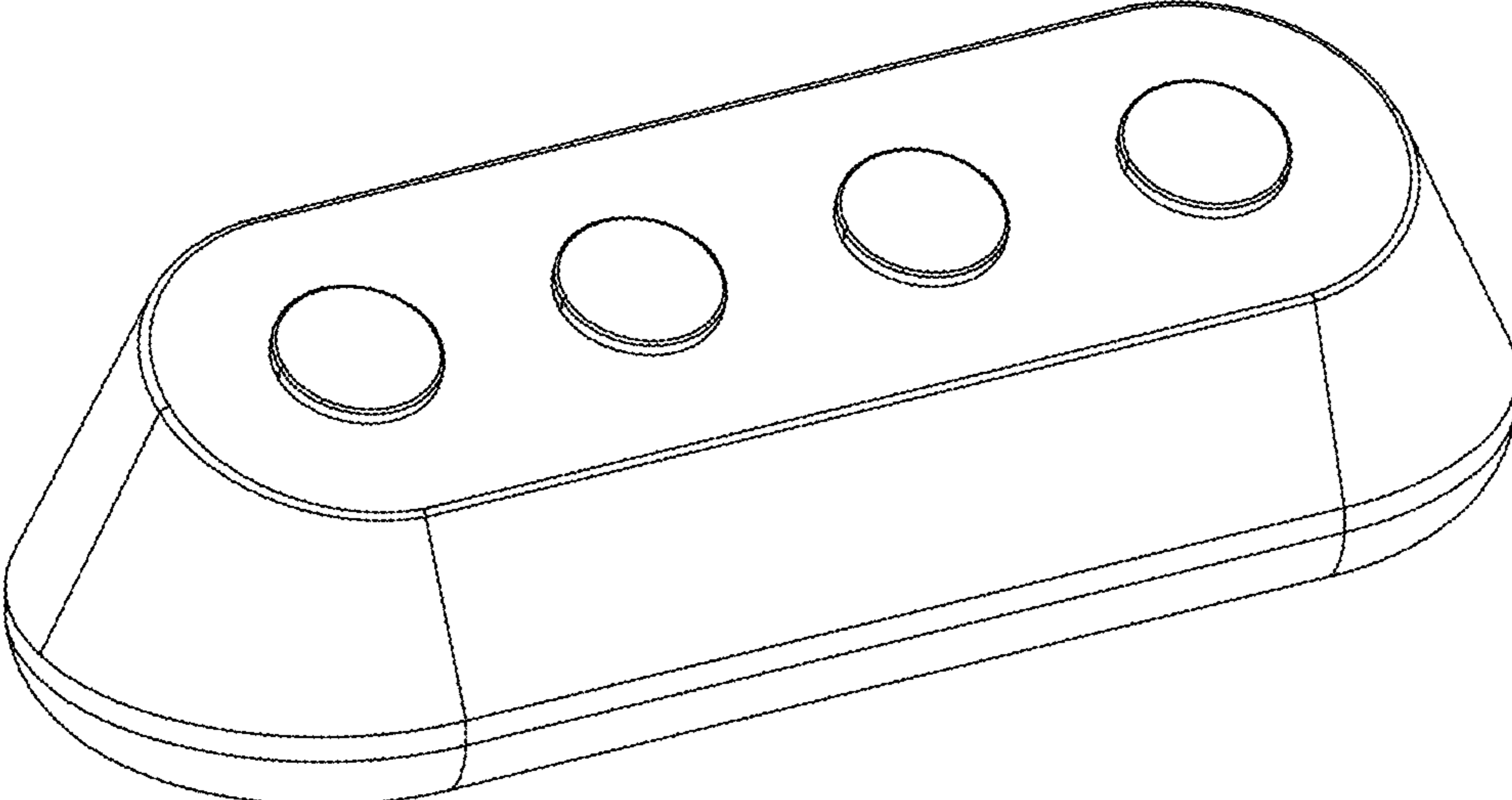


FIG. 2

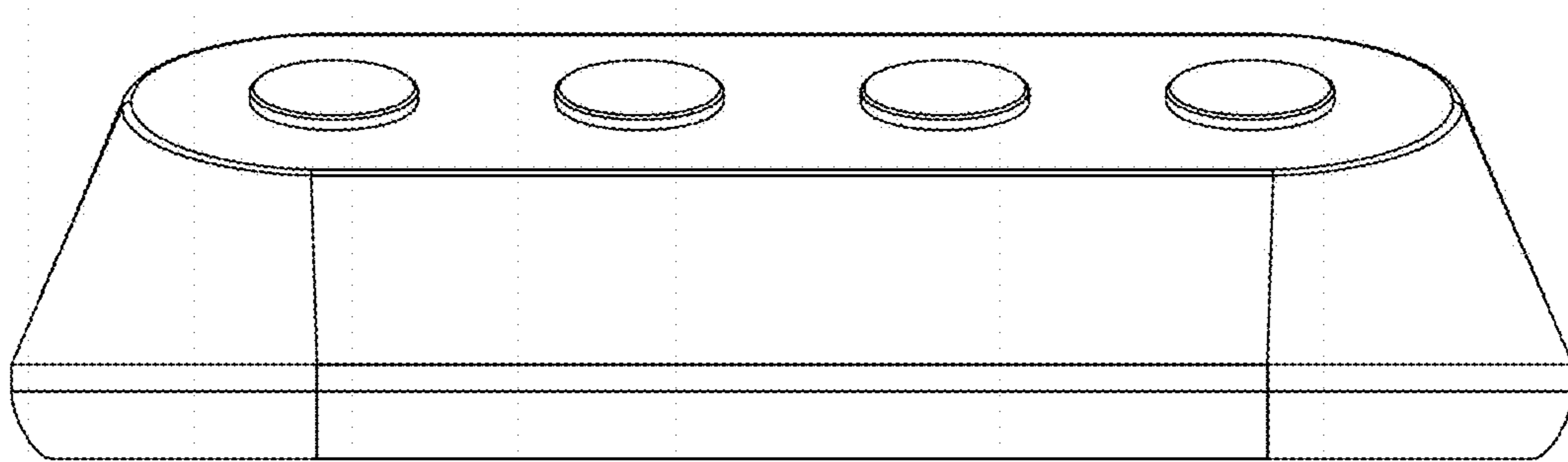


FIG. 3

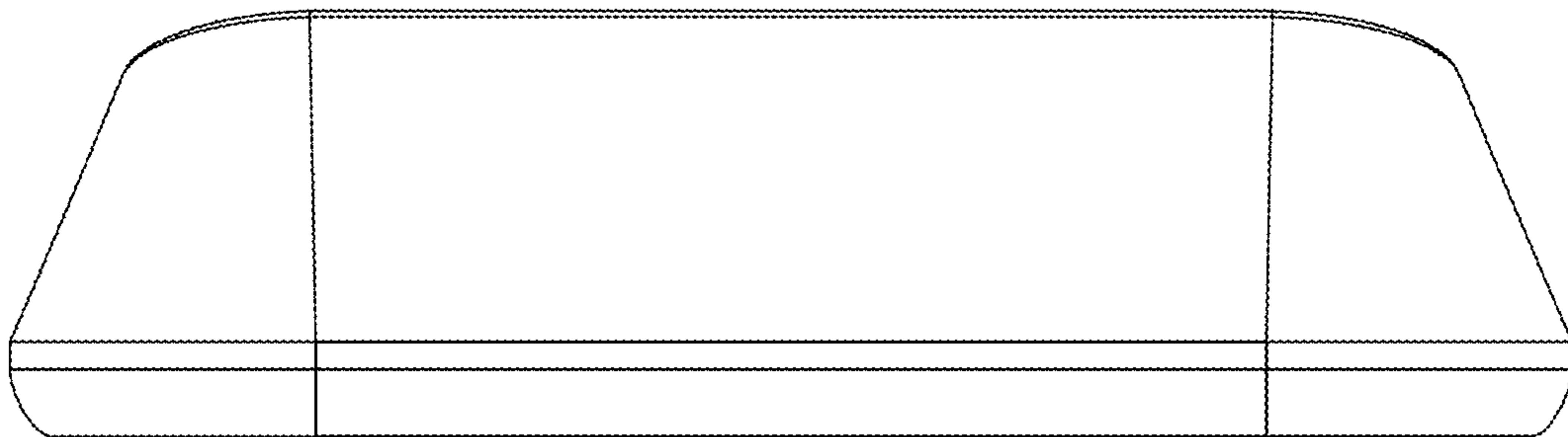


FIG. 4

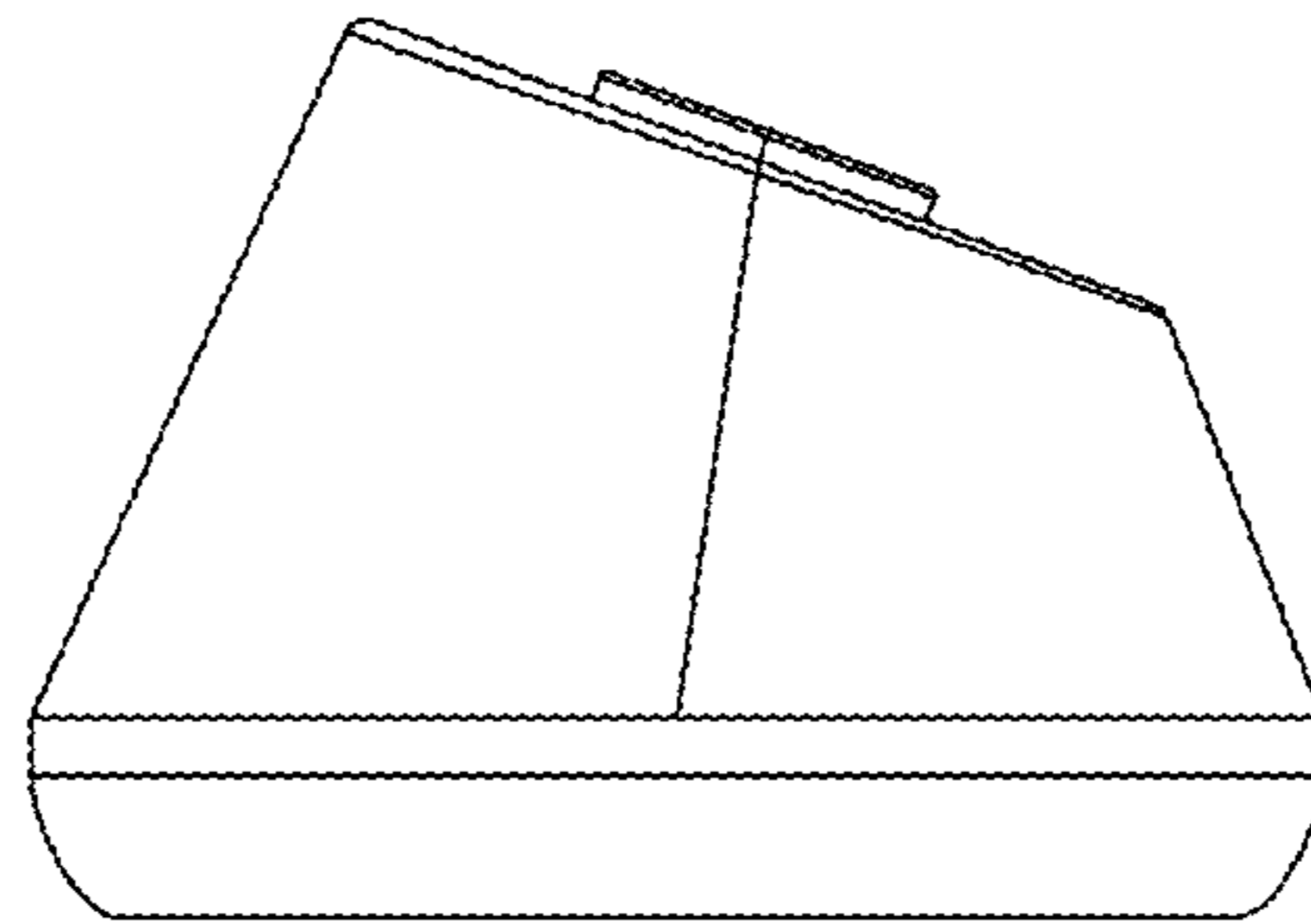


FIG. 5

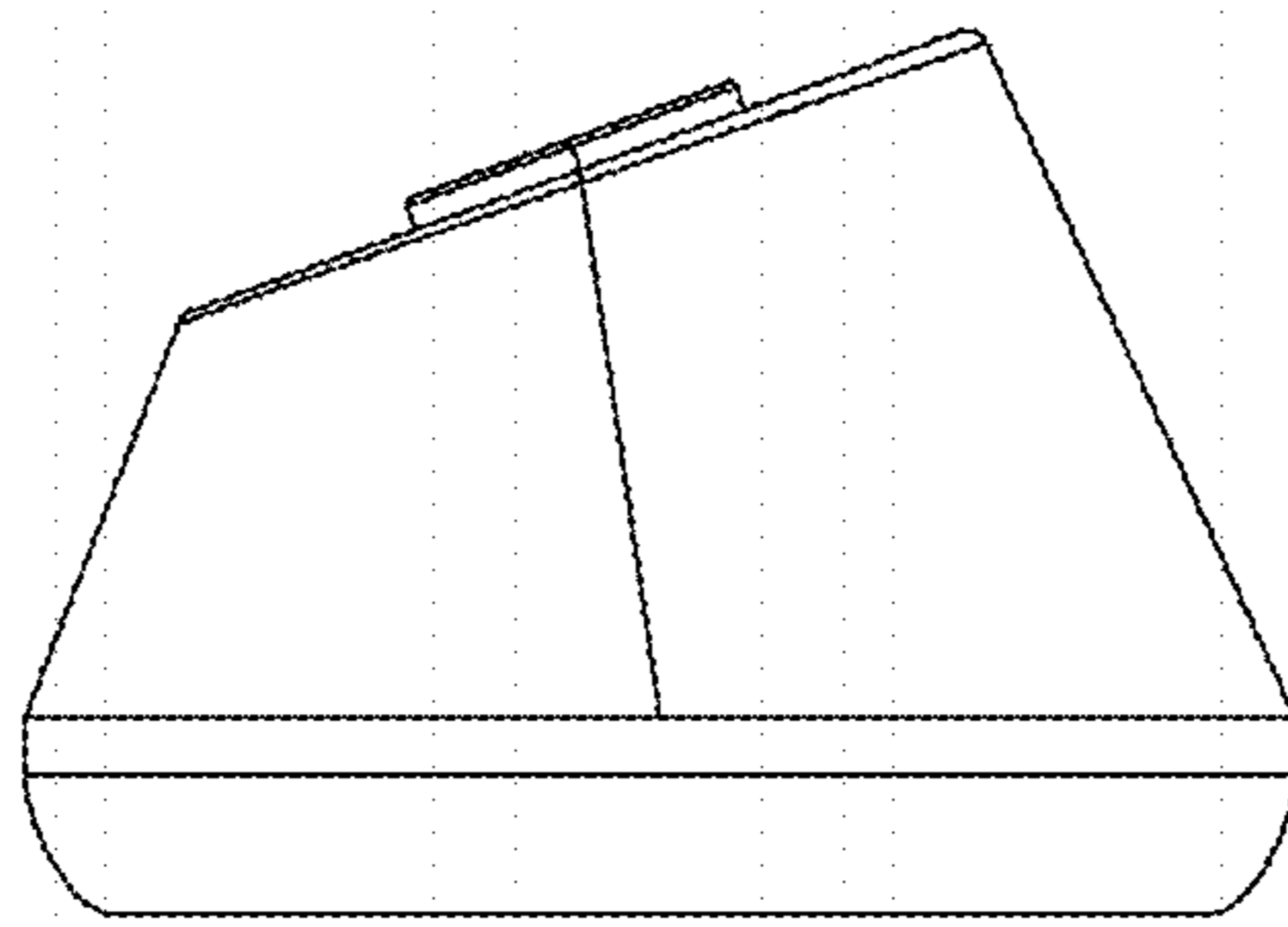


FIG. 6

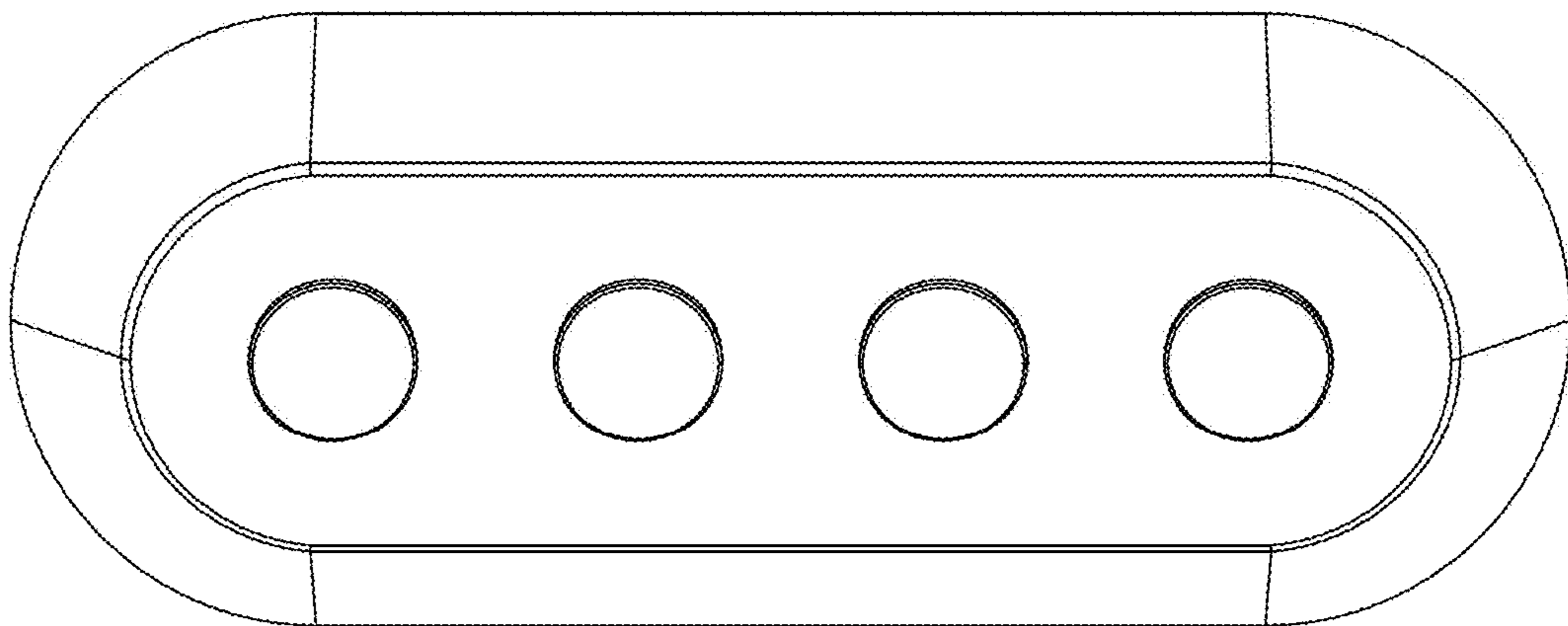


FIG. 7

