



US00D941813S

(12) **United States Design Patent**
Cho et al.

(10) **Patent No.:** **US D941,813 S**
(45) **Date of Patent:** **** Jan. 25, 2022**

(54) **DISPLAY DEVICE**

(71) Applicant: **SAMSUNG DISPLAY CO., LTD.**,
Yongin-si (KR)

(72) Inventors: **Eui Ri Cho**, Suwon-si (KR);
Seung-Gyun Woo, Hwaseong-si (KR);
Hyun Joo Lee, Cheongju-si (KR); **Jun Woo Kim**, Seoul (KR)

(73) Assignee: **Samsung Display Co., Ltd.**, Yongin-si (KR)

(**) Term: **15 Years**

(21) Appl. No.: **29/714,003**

(22) Filed: **Nov. 20, 2019**

(30) **Foreign Application Priority Data**

May 23, 2019 (KR) 30-2019-0024350
May 23, 2019 (KR) 30-2019-0024351
May 23, 2019 (KR) 30-2019-0024352

(51) **LOC (13) Cl.** **14-02**

(52) **U.S. Cl.**
USPC **D14/345**

(58) **Field of Classification Search**
USPC D14/341, 388-389, 374, 345, 371, 426,
D14/129, 130, 138 R, 138 AA, 138 C,
D14/138 G, 315-318; D21/324, 329,
D21/330, 332; D10/104.4, 50, 65, 75;
D18/4.4-4.6, 6, 7; D24/186
CPC G06K 7/089; G06K 7/10881; G06K 7/109;
G06Q 20/204; G07G 1/00811; G06F
1/1652; G06F 1/16; G06F 1/1624; G06F
1/1686; H01L 2251/5338; H04M 1/0237;
H04M 1/0264; H04M 1/0268
See application file for complete search history.

(56) **References Cited**

U.S. PATENT DOCUMENTS

D732,499 S * 6/2015 Lee D14/138 G
D753,088 S * 4/2016 Wu D14/138 G

D771,605 S * 11/2016 Park D14/248
D776,074 S * 1/2017 Choo D14/138 AB
D777,713 S * 1/2017 Choo D14/248
D778,254 S * 2/2017 Choo D14/138 G
D778,864 S * 2/2017 Kim D14/138 AB

(Continued)

Primary Examiner — Samantha Q Lawrence

Assistant Examiner — Holly M Rodriguez

(74) *Attorney, Agent, or Firm* — Lewis Roca Rothgerber
Christie LLP

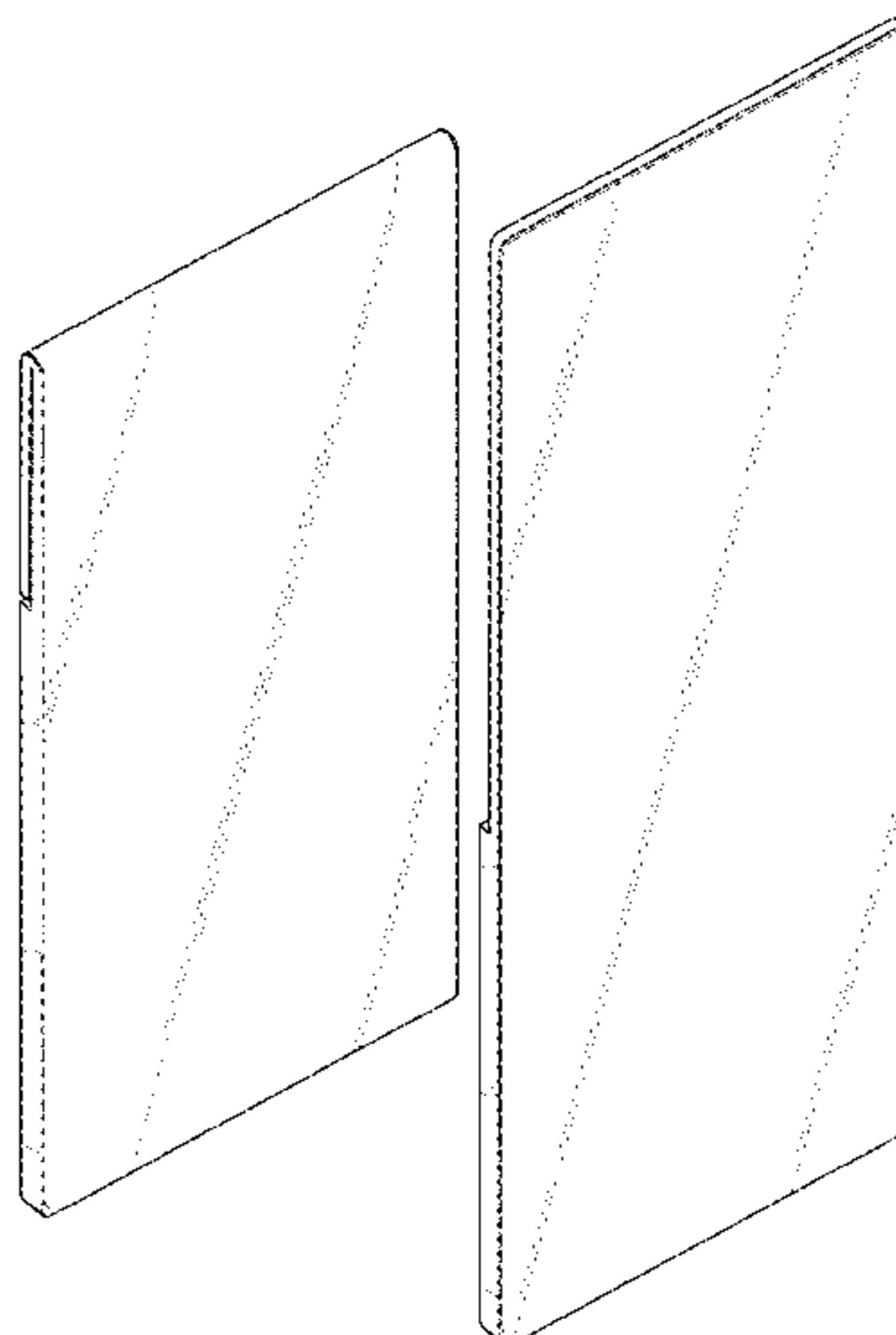
(57) **CLAIM**

The ornamental design for a display device, as shown and described.

DESCRIPTION

FIG. 1 is a front perspective view of the display device in a folded state;
FIG. 2 is a front view thereof;
FIG. 3 is a rear view thereof;
FIG. 4 is a left side view thereof, with the right side view being a mirror image;
FIG. 5 is a top view thereof;
FIG. 6 is a bottom view thereof;
FIG. 7 is a rear perspective view thereof;
FIG. 8 is a front perspective view of the display device in an unfolded state;
FIG. 9 is a front view thereof;
FIG. 10 is a rear view thereof;
FIG. 11 is a left side view thereof, with the right side view being a mirror image;
FIG. 12 is a top view thereof;
FIG. 13 is a bottom view thereof; and,
FIG. 14 is a rear perspective view thereof.
The broken lines shown in the drawings are included for the purpose of illustration and form no part of the claimed design.

1 Claim, 12 Drawing Sheets



(56)

References Cited

U.S. PATENT DOCUMENTS

D779,482 S * 2/2017 Kim D14/341
D783,563 S * 4/2017 Choo D14/138 AA
D783,603 S * 4/2017 Satzger D14/341
D786,816 S * 5/2017 Choo D14/138 AA
D788,103 S * 5/2017 Kim D14/341
D791,095 S * 7/2017 Kim D14/138 G
D801,293 S * 10/2017 Choo D14/138 G
D804,474 S * 12/2017 Won D14/371
D807,849 S * 1/2018 Kim D14/138 G
10,522,785 B2 * 12/2019 Kim B32B 27/281
10,778,821 B1 * 9/2020 Yang G06F 1/1652
10,928,948 B2 * 2/2021 Lee G06F 3/0414
2020/0371556 A1 * 11/2020 Zhao H04M 1/0268
2021/0078286 A1 * 3/2021 Lee B32B 7/023
2021/0135492 A1 * 5/2021 Kim H01Q 1/38

* cited by examiner

FIG. 1

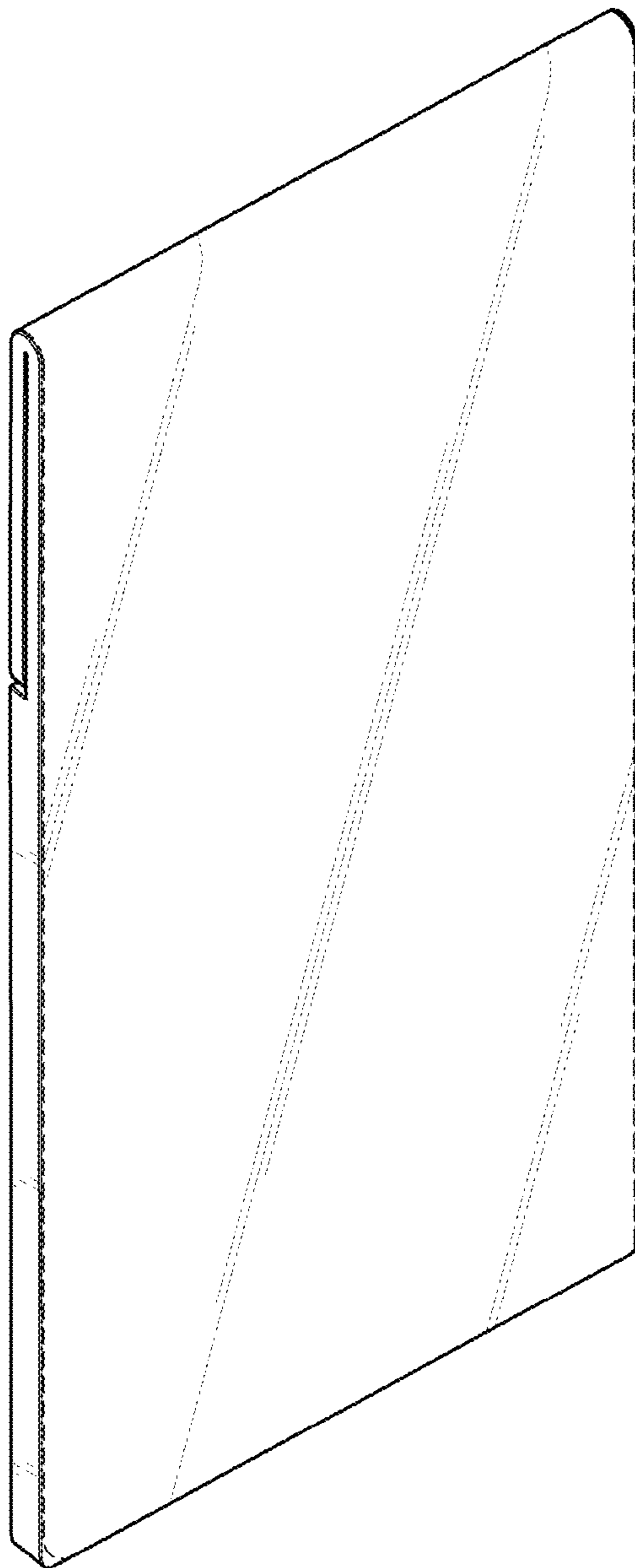


FIG. 2

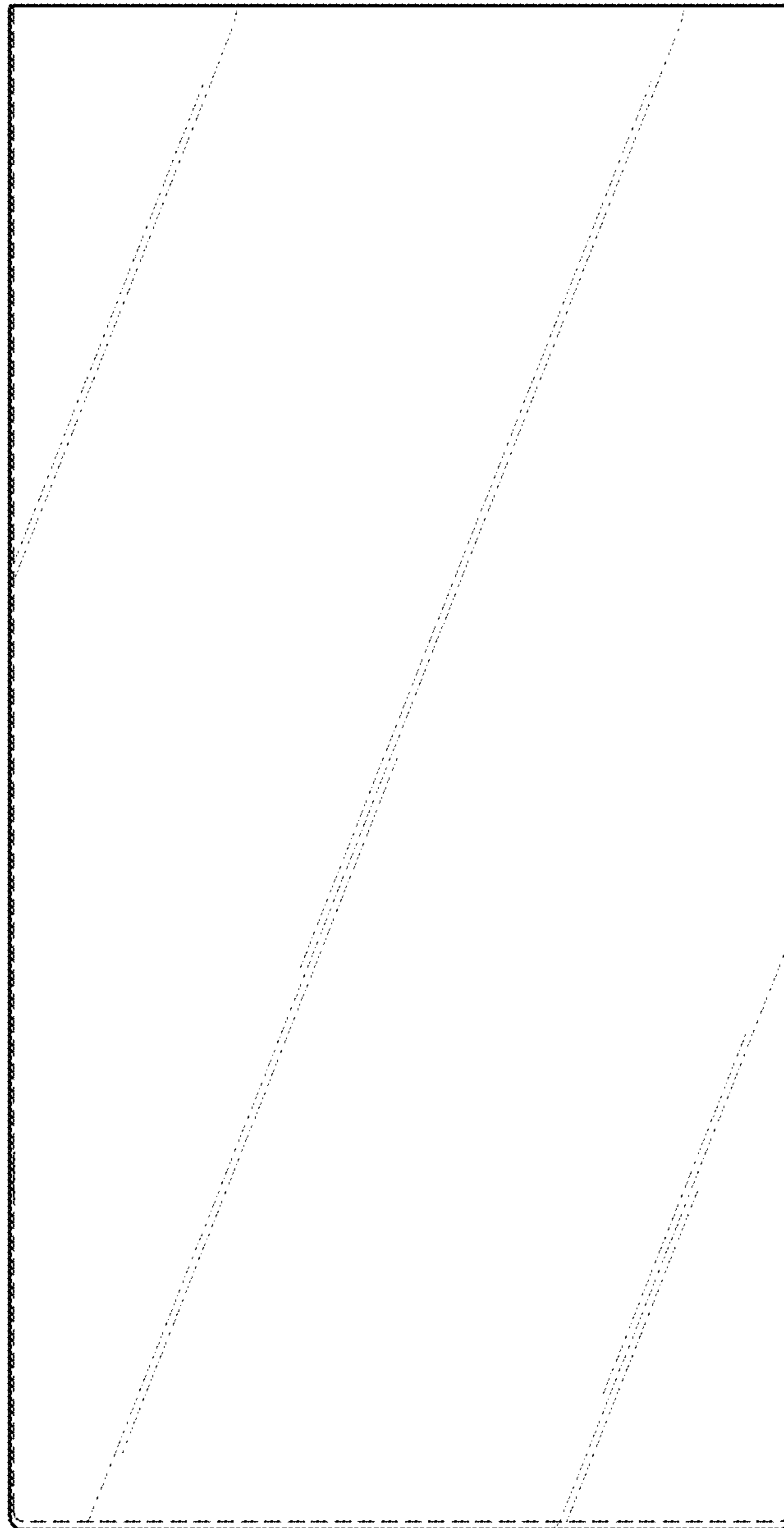


FIG. 3

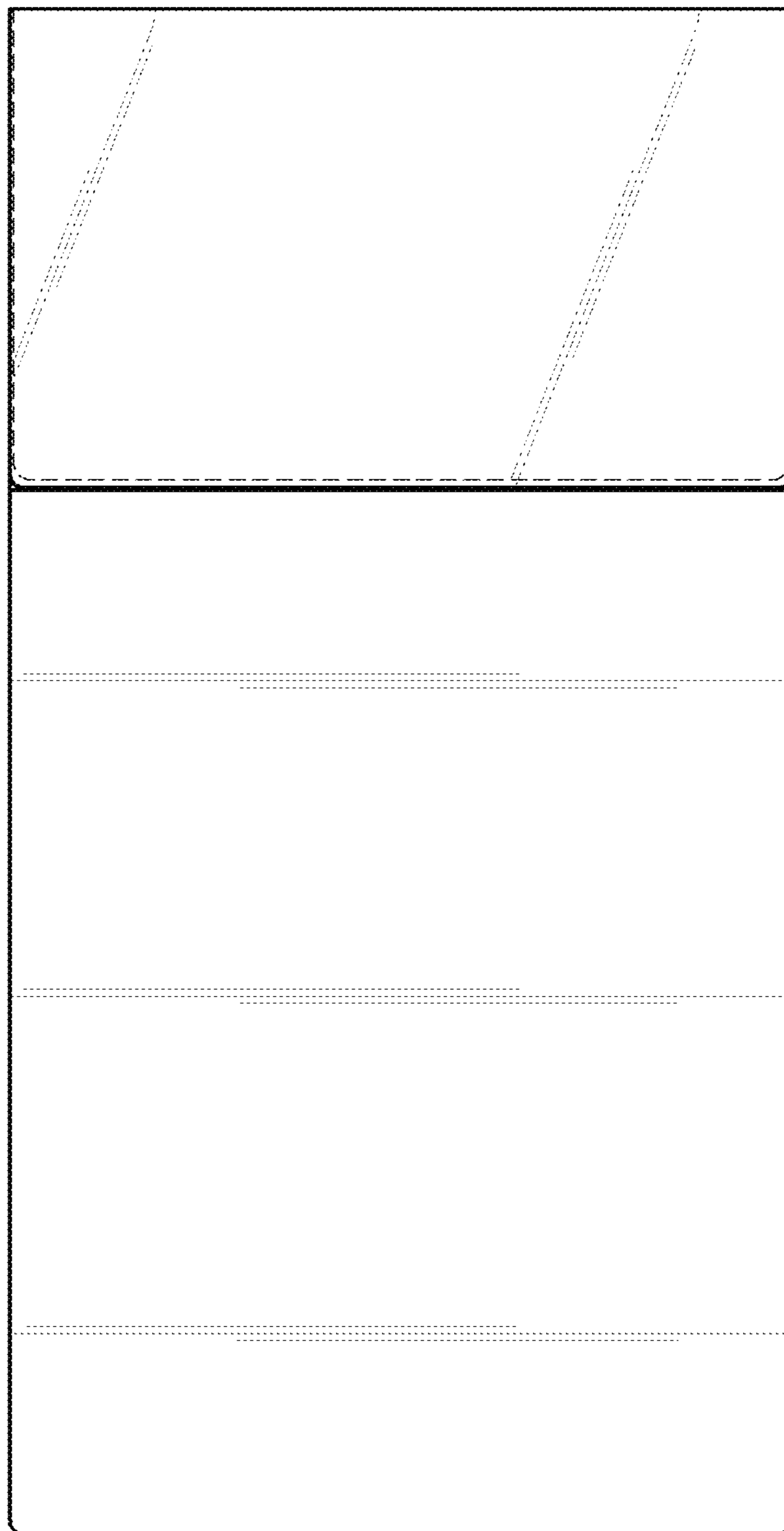


FIG. 4



FIG. 5



FIG. 6

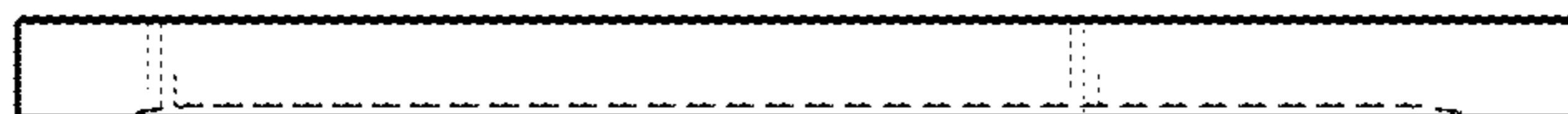


FIG. 7

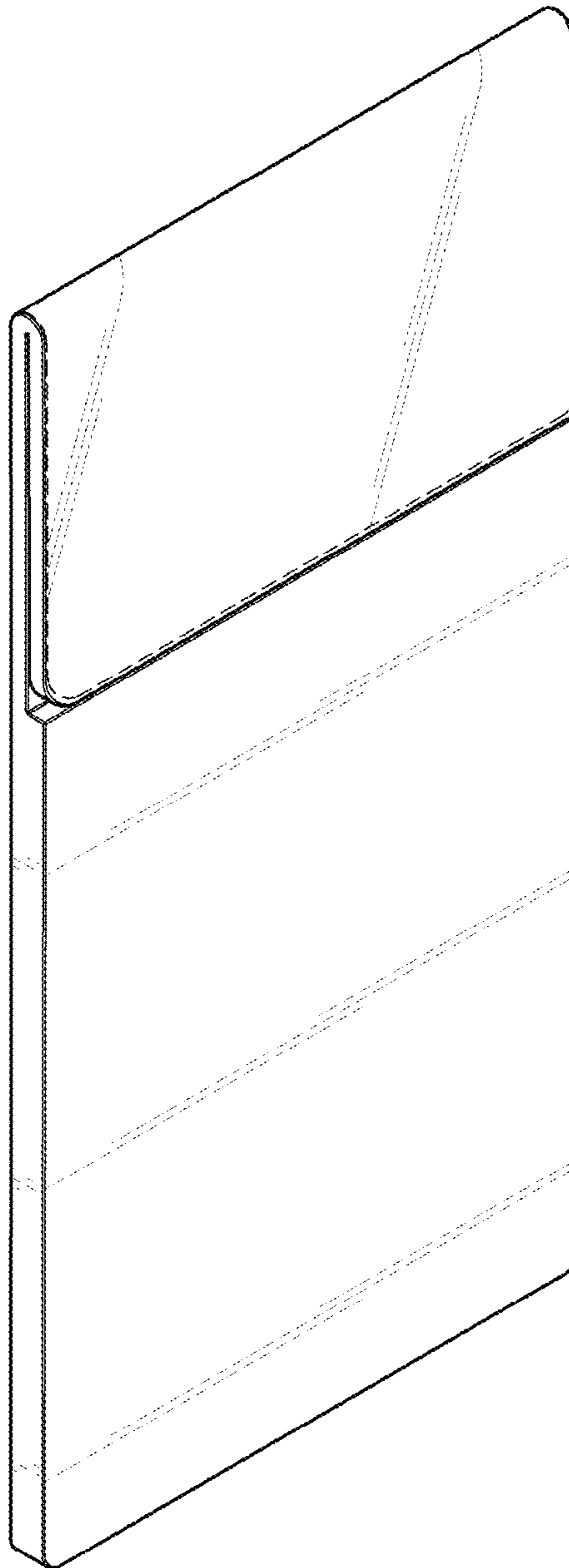


FIG. 8

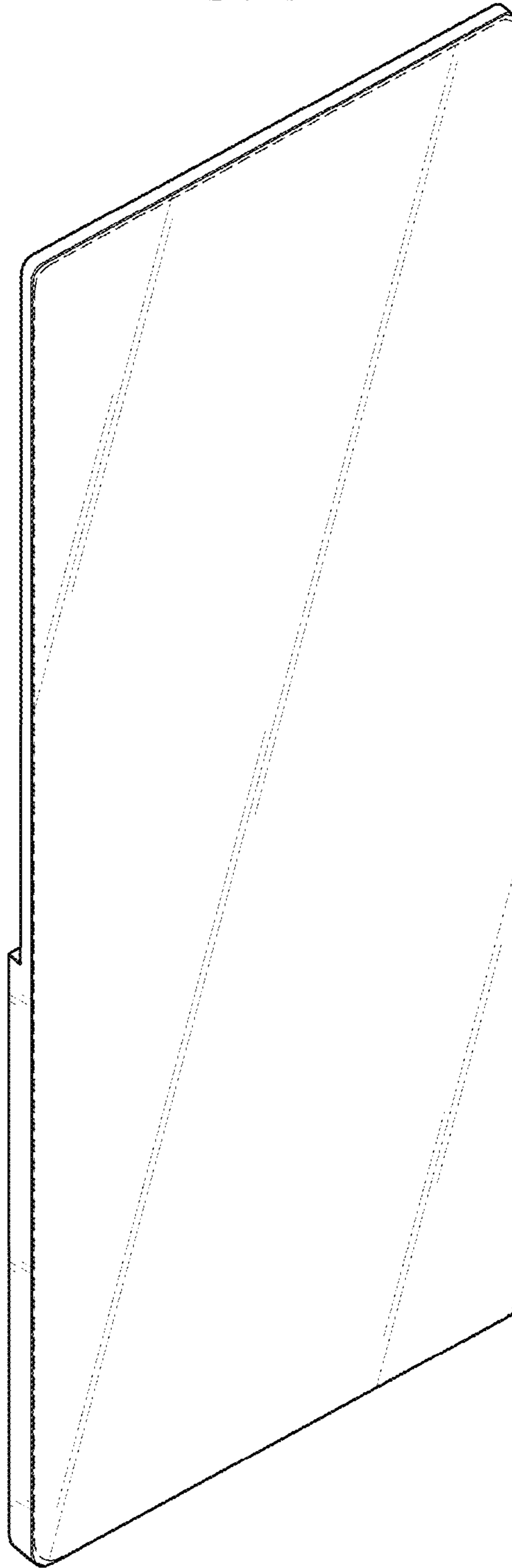


FIG. 9

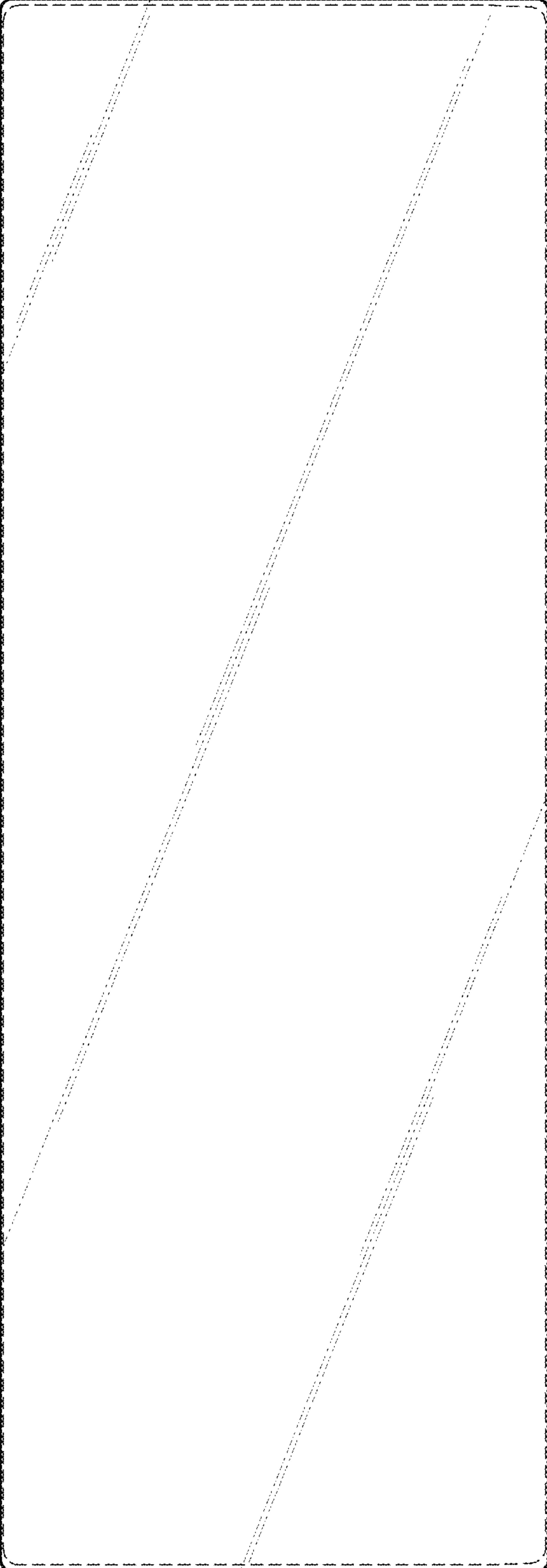


FIG. 10

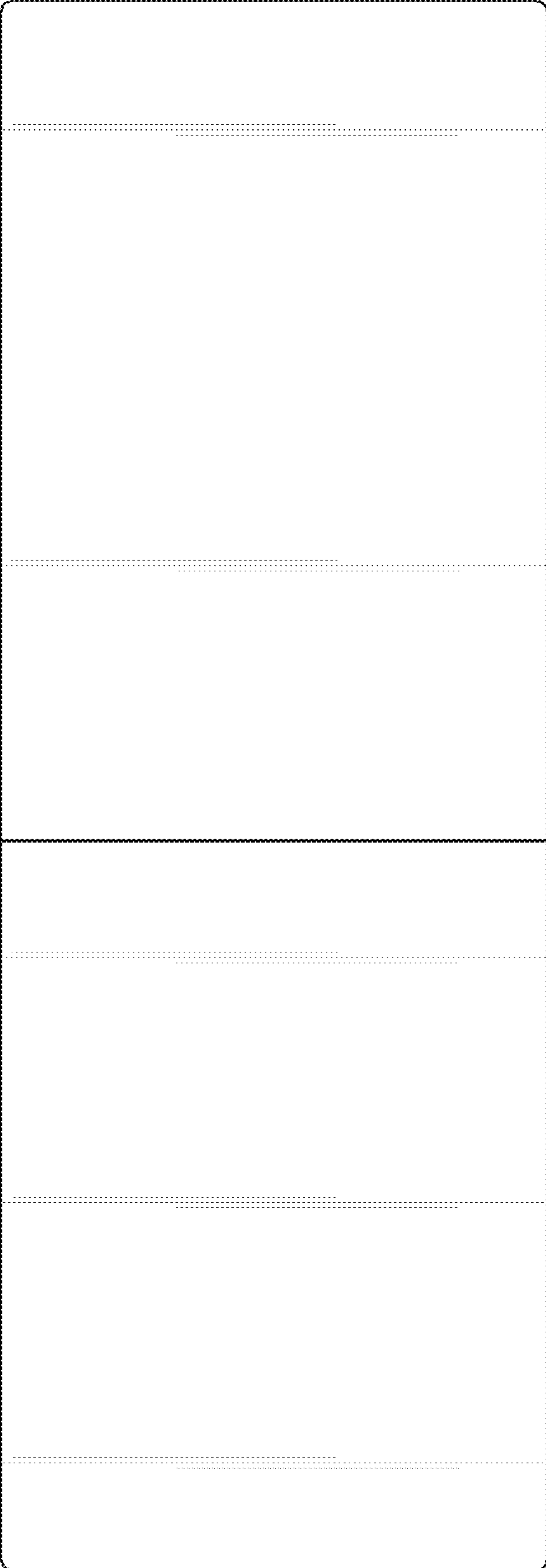


FIG. 11



FIG. 12

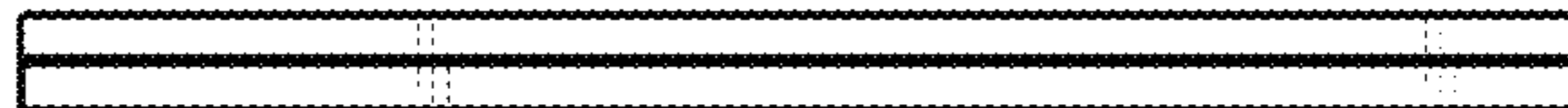


FIG. 13

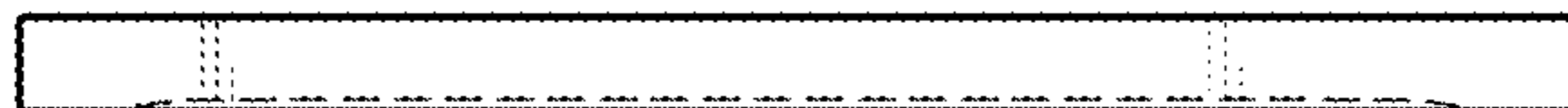


FIG. 14

