



US00D941810S

(12) **United States Design Patent**
Chen

(10) **Patent No.:** **US D941,810 S**

(45) **Date of Patent:** **** Jan. 25, 2022**

(54) **MICROPHONE**

(71) Applicant: **Ching-Wen Chen**, Taipei (TW)

(72) Inventor: **Ching-Wen Chen**, Taipei (TW)

(**) Term: **15 Years**

(21) Appl. No.: **29/698,738**

(22) Filed: **Jul. 19, 2019**

(51) **LOC (13) Cl.** **14-01**

(52) **U.S. Cl.**
USPC **D14/225**

(58) **Field of Classification Search**

USPC D14/221, 224, 225, 226, 227, 228, 229,
D14/150, 154, 155, 158, 160, 172
CPC H04R 19/04; H04R 19/00; H04R 1/406;
H04R 1/08; H04R 1/04; H04R 1/326;
H04R 29/004; H04R 2410/00; H04R
2410/01; H04R 2410/03; H04R 2410/05;
H04R 2410/07; H04R 2420/07; H04R
17/02

See application file for complete search history.

(56) **References Cited**

U.S. PATENT DOCUMENTS

5,357,577	A *	10/1994	Waji	H01J 7/24 361/704
D431,554	S *	10/2000	Chung	D14/228
D548,729	S *	8/2007	Miller	D14/226
D603,381	S *	11/2009	Fleischer	D14/227
D605,183	S *	12/2009	Fleischer	D14/227
D676,428	S *	2/2013	Trewartha	D14/225
D687,420	S *	8/2013	Trewartha	D14/225
D719,140	S *	12/2014	Sanhui	D14/225
D743,926	S *	11/2015	Liao	D14/155
D748,610	S *	2/2016	Smith	D14/225
D763,234	S *	8/2016	Hara	D14/225
D772,848	S *	11/2016	Sunwoo	D14/227
D823,283	S *	7/2018	Sunwoo	D14/229
D836,090	S *	12/2018	Li	D14/227
D855,584	S *	8/2019	Laine	D14/216
D864,921	S *	10/2019	Mai	D14/227

D864,922	S *	10/2019	Mai	D14/227
D884,684	S *	5/2020	Chen	D14/226
10,667,042	B2 *	5/2020	Frenchik, Jr.	H04R 1/08
D887,398	S *	6/2020	Chen	D14/226
D890,729	S *	7/2020	Chen	D14/227

(Continued)

FOREIGN PATENT DOCUMENTS

JP 10283802 A * 10/1998

OTHER PUBLICATIONS

Audio-Technica AT8024 Stereo/Mono Camera-Mount Microphone, announced Apr. 30, 2015 [online], retrieved Aug. 28, 2020, retrieved from internet, https://www.bhphotovideo.com/c/product/1086818-REG/audio_technica_at8024_stereo_mono_camera_mount_microphone.html.*

(Continued)

Primary Examiner — Dana K Weiland
Assistant Examiner — Messina L Smith

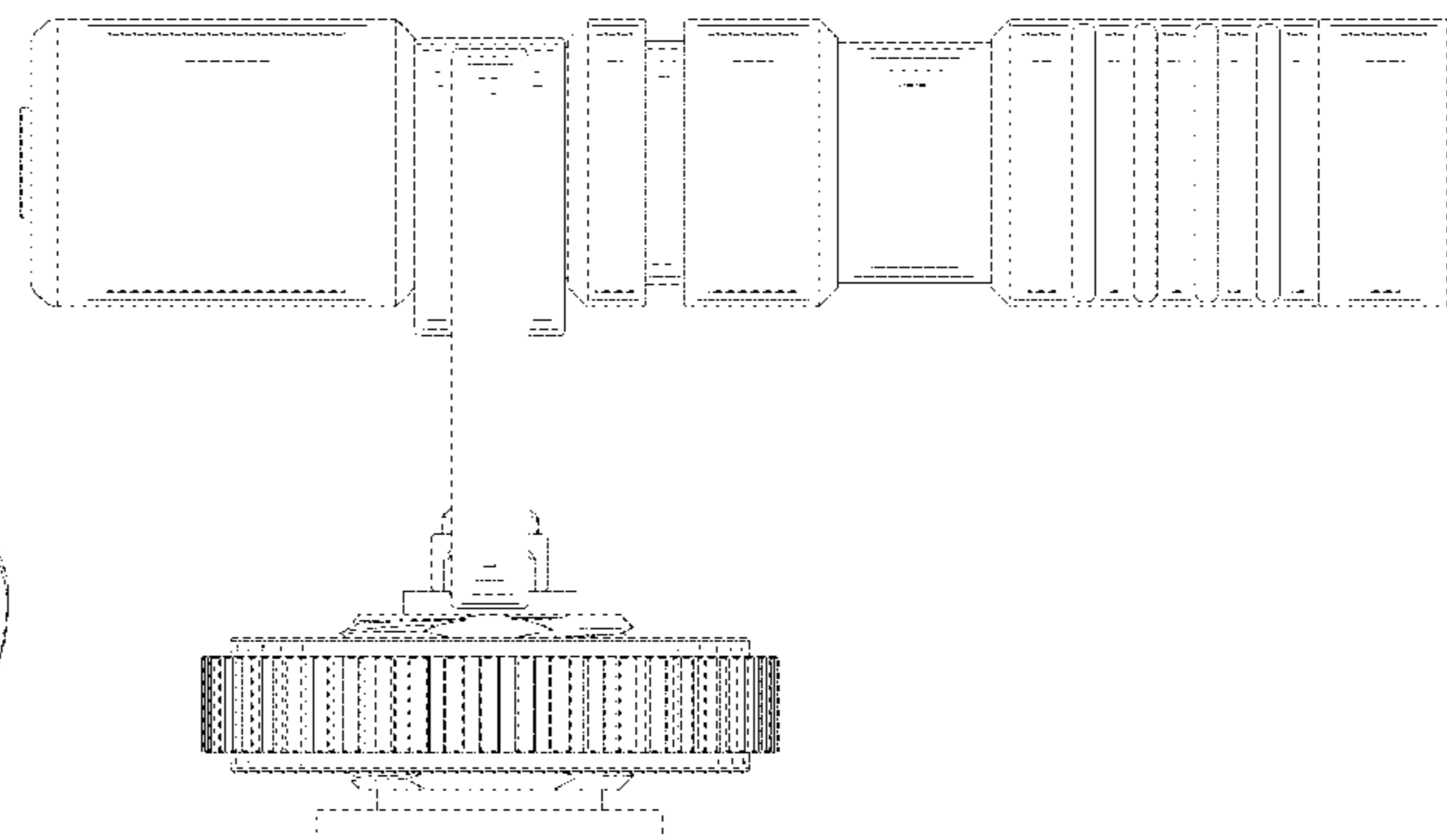
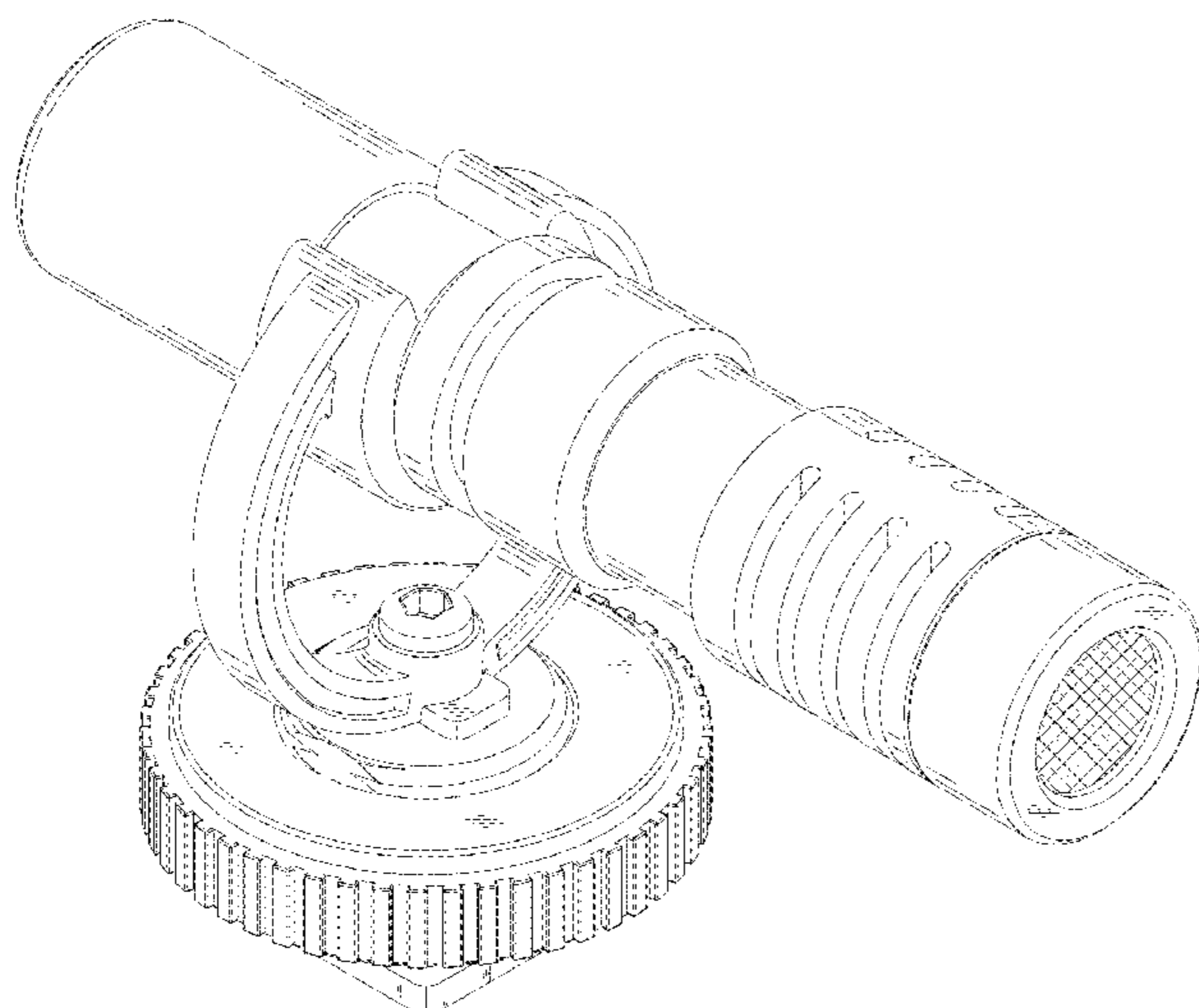
(57) **CLAIM**

The ornamental design for a microphone, as shown and described.

DESCRIPTION

FIG. 1 is a top perspective view of a microphone showing my new design;
FIG. 2 is a front view thereof;
FIG. 3 is a rear view thereof;
FIG. 4 is an enlarged left side elevational view of the microphone;
FIG. 5 is an enlarged right side elevational view of the microphone;
FIG. 6 is a top elevational view thereof; and,
FIG. 7 is a bottom elevational view thereof.
The broken lines shown illustrating portions of the microphone form no part of the claimed design.

1 Claim, 7 Drawing Sheets



(56)

References Cited

U.S. PATENT DOCUMENTS

2010/0135506 A1* 6/2010 Rosen H01M 2/1055
381/91
2013/0108060 A1* 5/2013 Ishizaki H04R 5/027
381/26
2019/0158954 A1* 5/2019 Heine H04R 1/2892

OTHER PUBLICATIONS

Polsen VM-101 Video/DSLR Camera Mounted Microphone, announced Apr. 12, 2015 [online], retrieved Aug. 28, 2020, retrieved from internet, https://www.bhphotovideo.com/c/product/1024161-REG/polsen_vm_101_video_dslr_camera_mounted_microphone.html.*

On-Camera Shotgun Microphones, A to Z, announced 2016 [online], retrieved Aug. 28, 2020, retrieved from internet, <https://www.bhphotovideo.com/explora/pro-audio/buying-guide/shotgun-microphones>.*

Top 3: Best Shotgun Microphones for DSLR and Mirrorless Cameras, announced Jan. 24, 2017 [online], retrieved Aug. 28, 2020, retrieved from internet, <https://www.starkinsider.com/2017/01/top-3-best-shotgun-microphones-dslr-mirrorless-cameras.html>.*

Rode Microphones VideoMic NTG On-Camera Supercardioid Shotgun Microphone, announced Jan. 14, 2020 [online], retrieved Aug. 28, 2020, retrieved from internet, <https://www.adorama.com/rdvmntg.html>.*

* cited by examiner

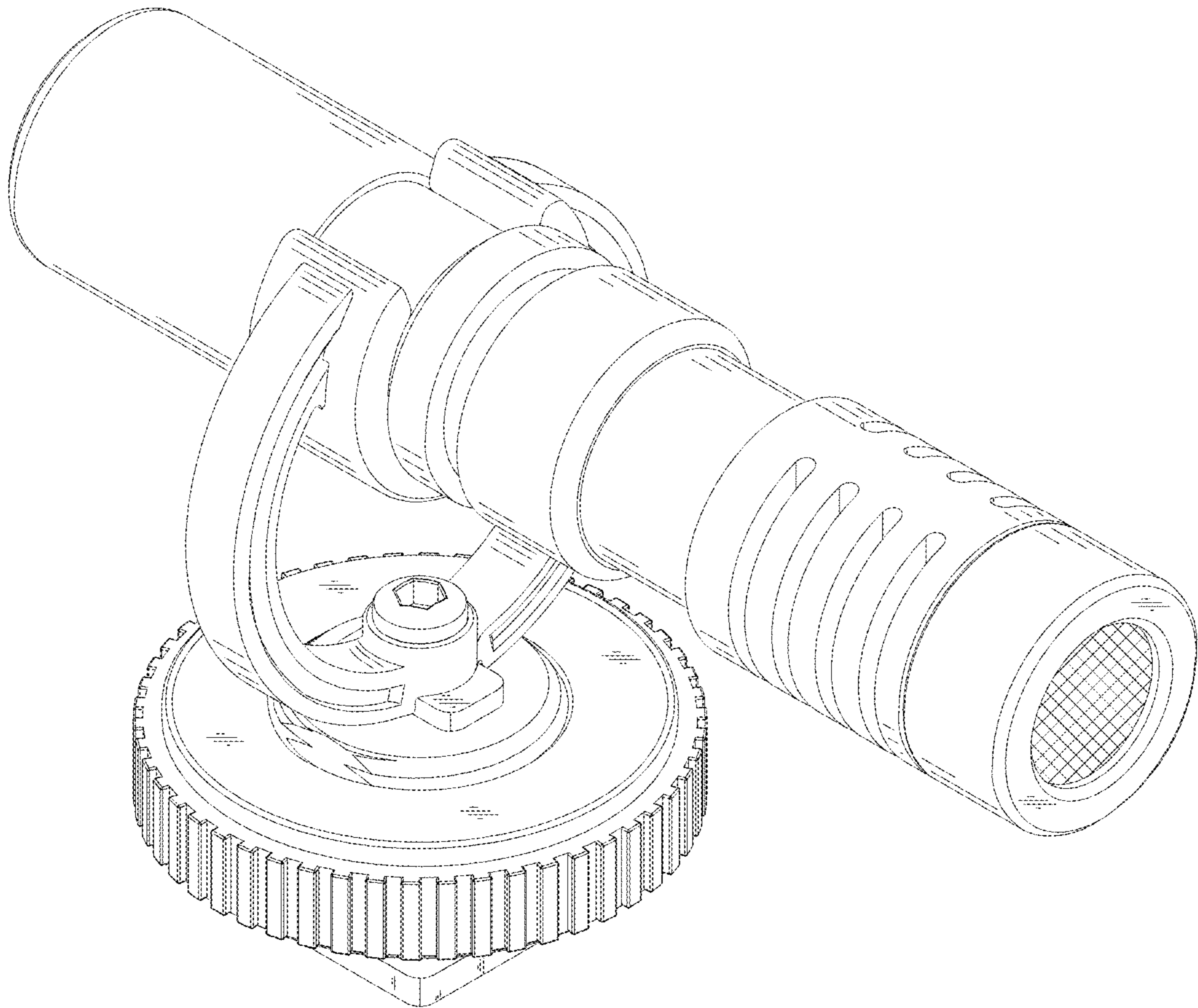


FIG. 1

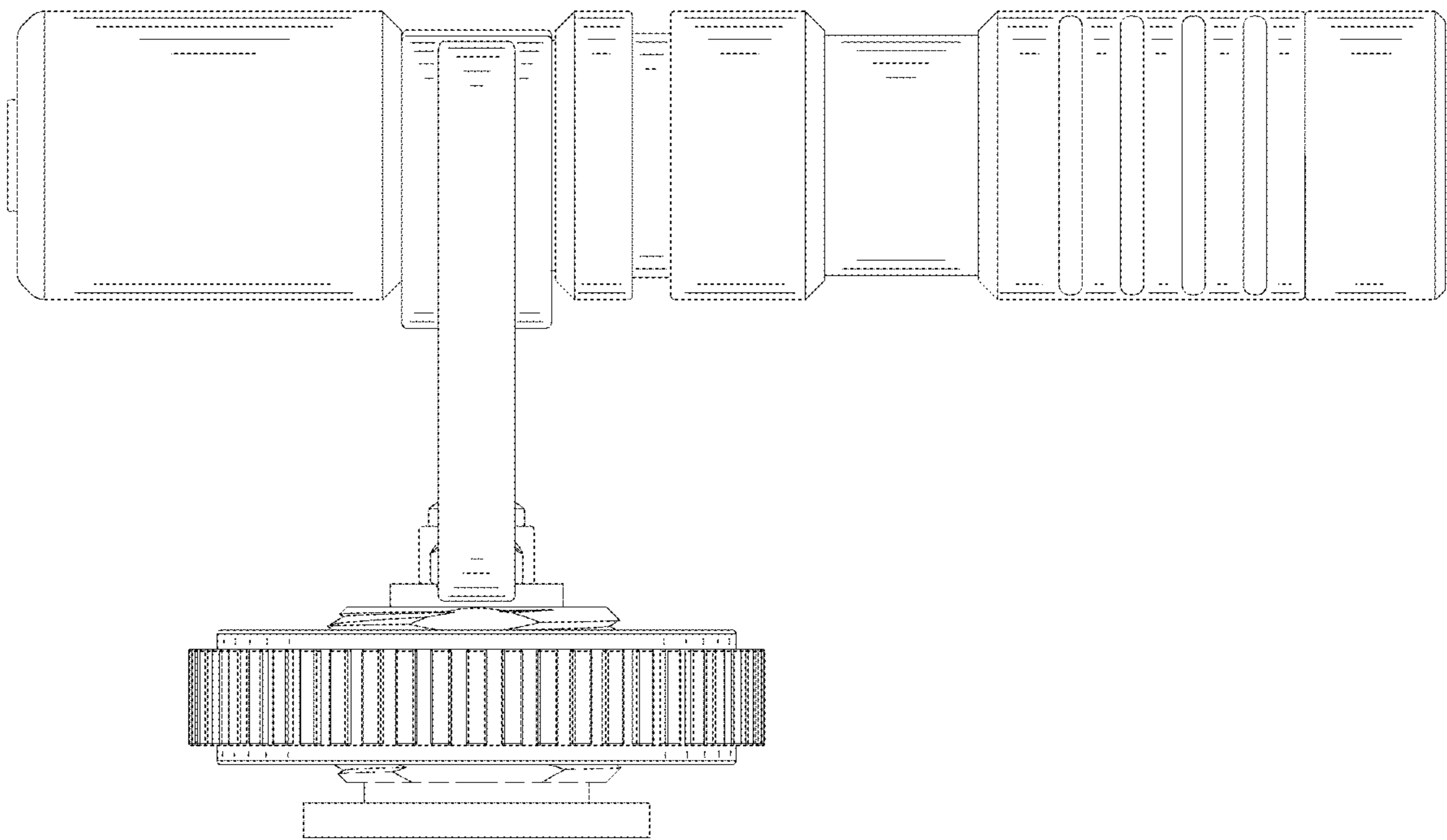


FIG. 2

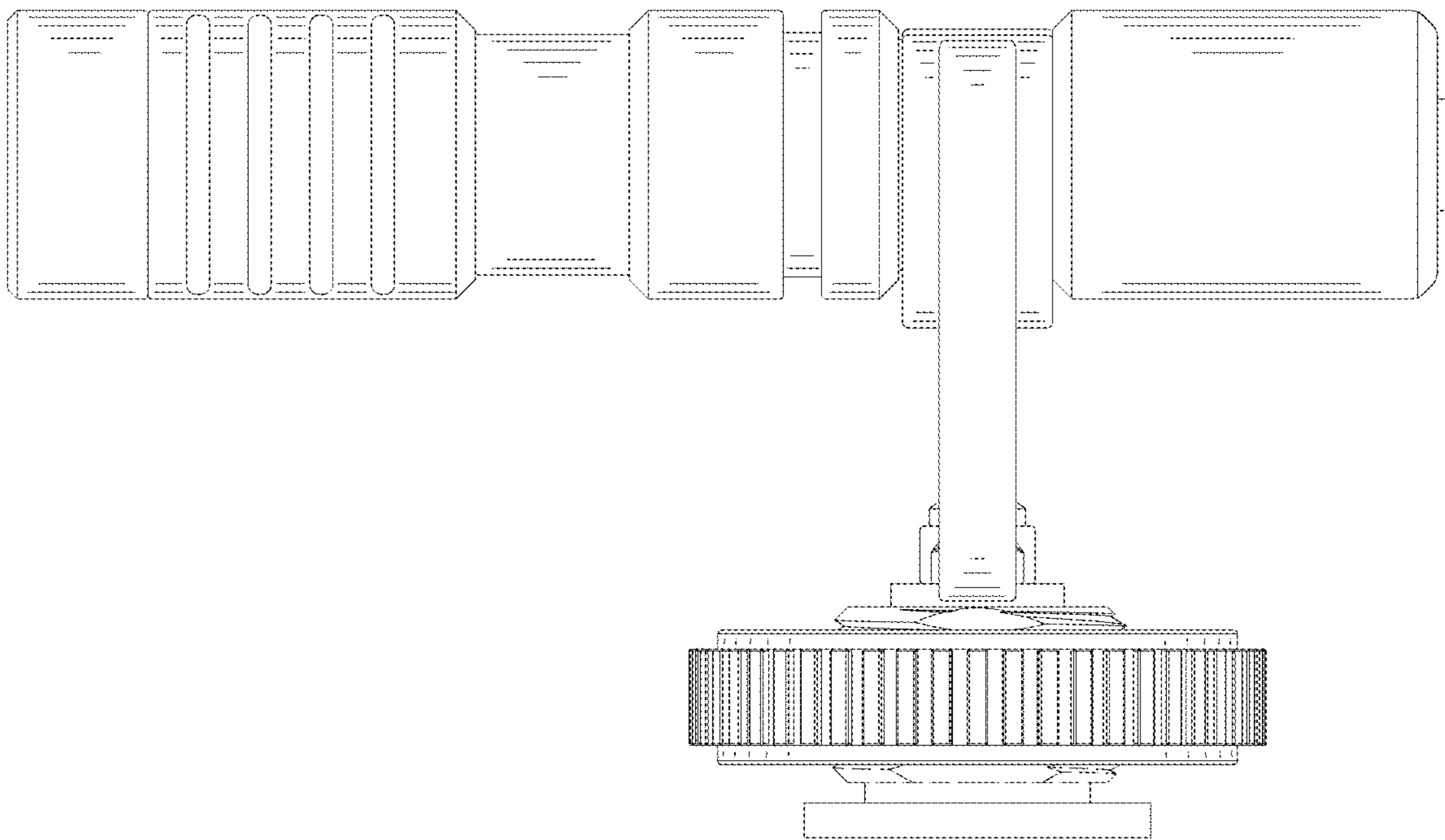


FIG. 3

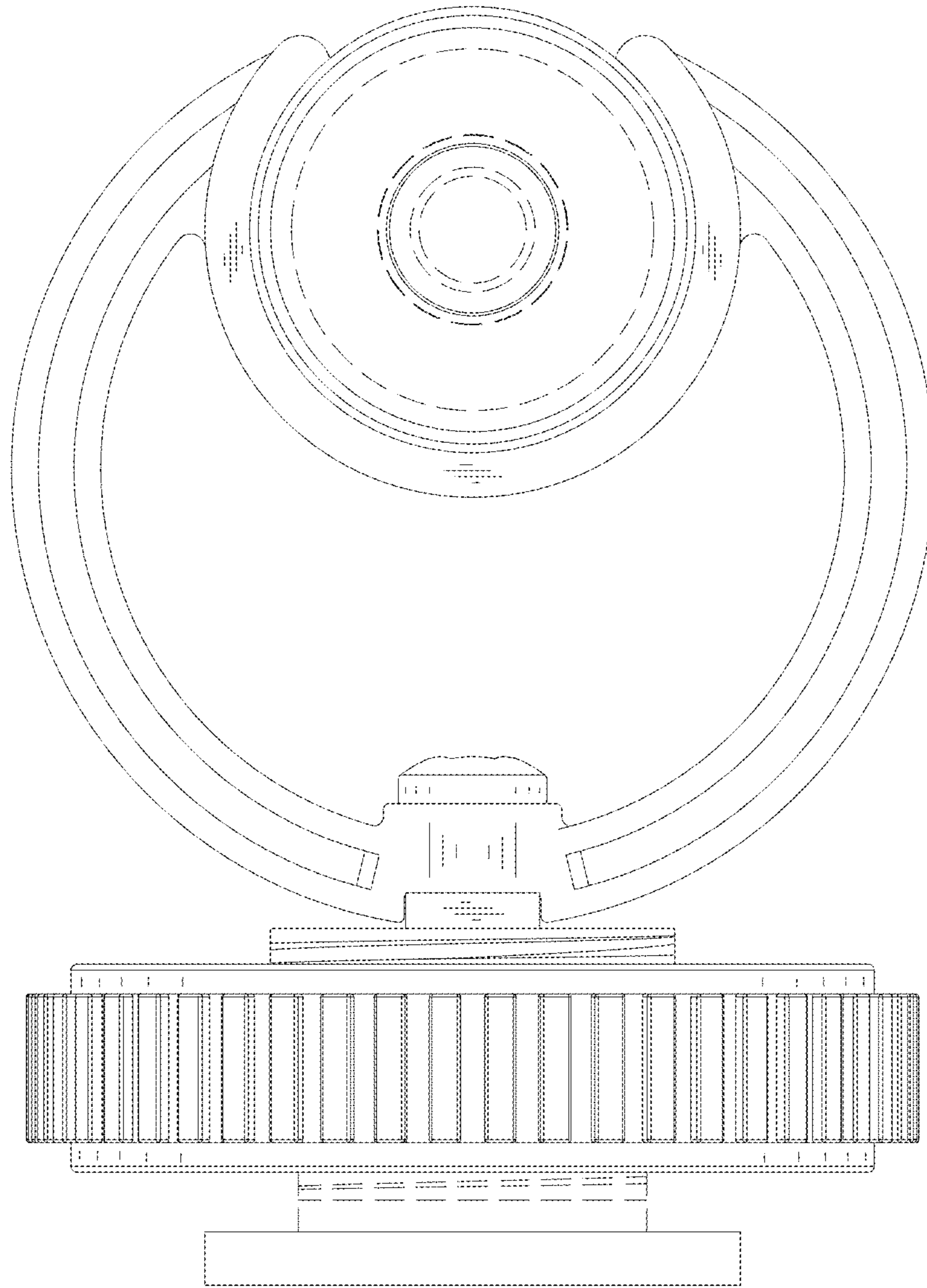


FIG. 4

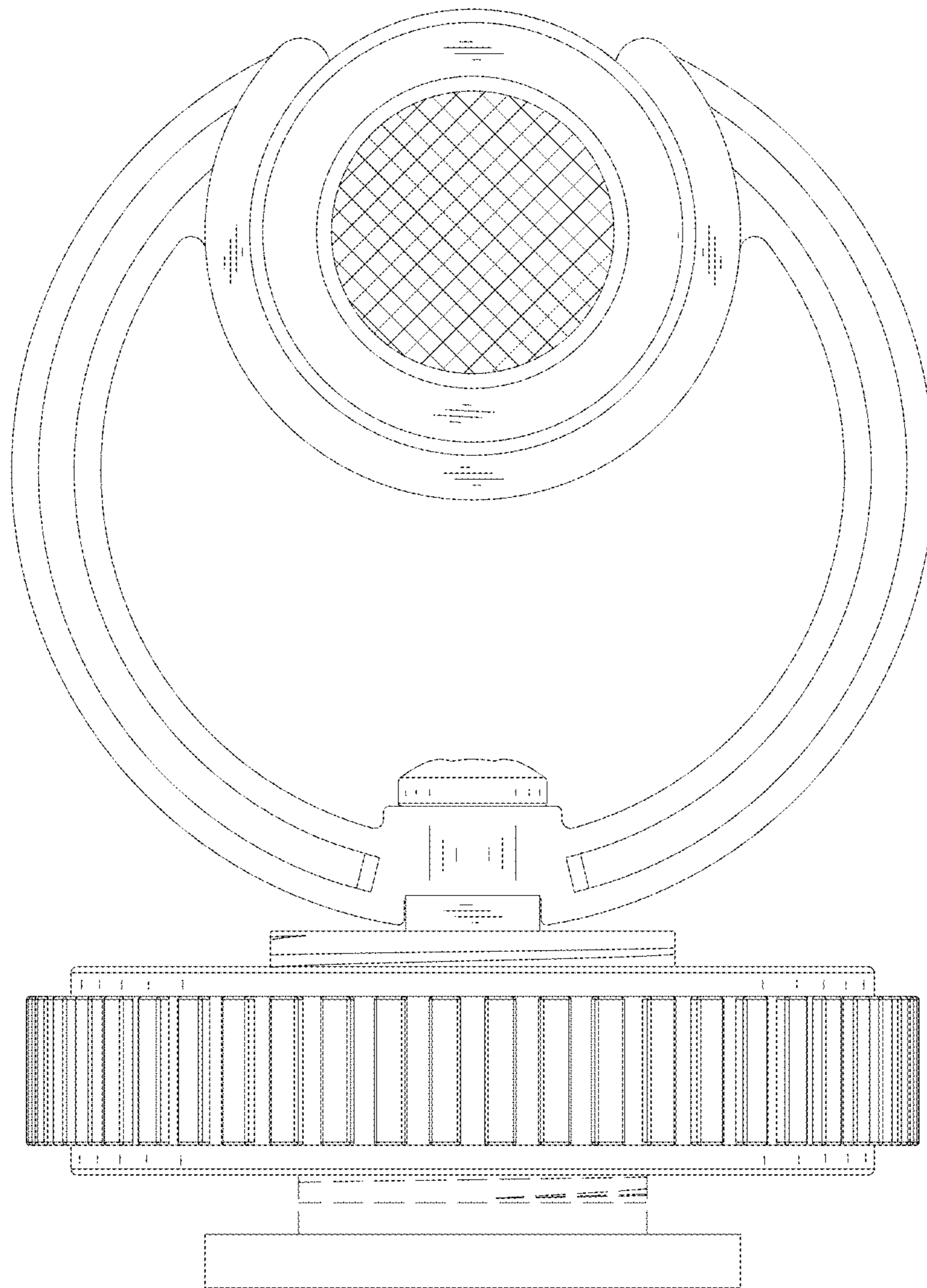


FIG. 5

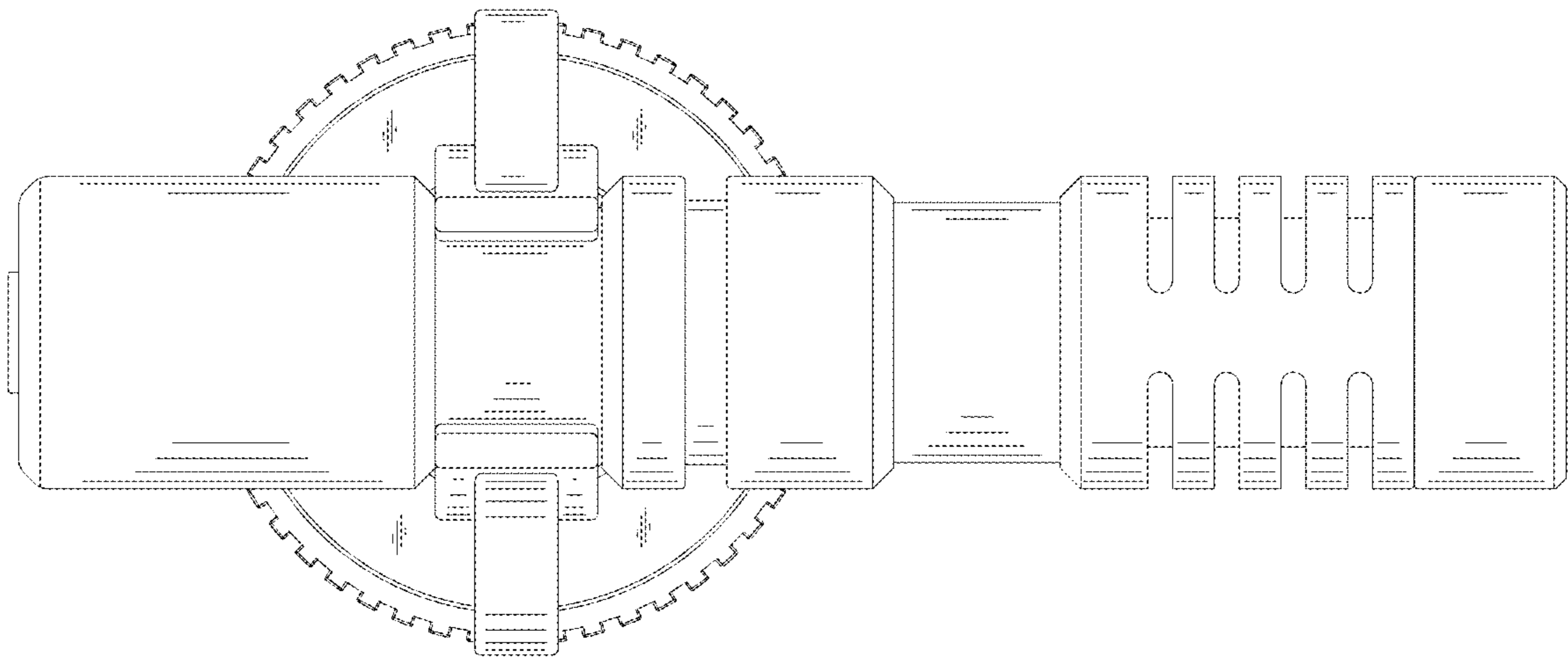


FIG. 6

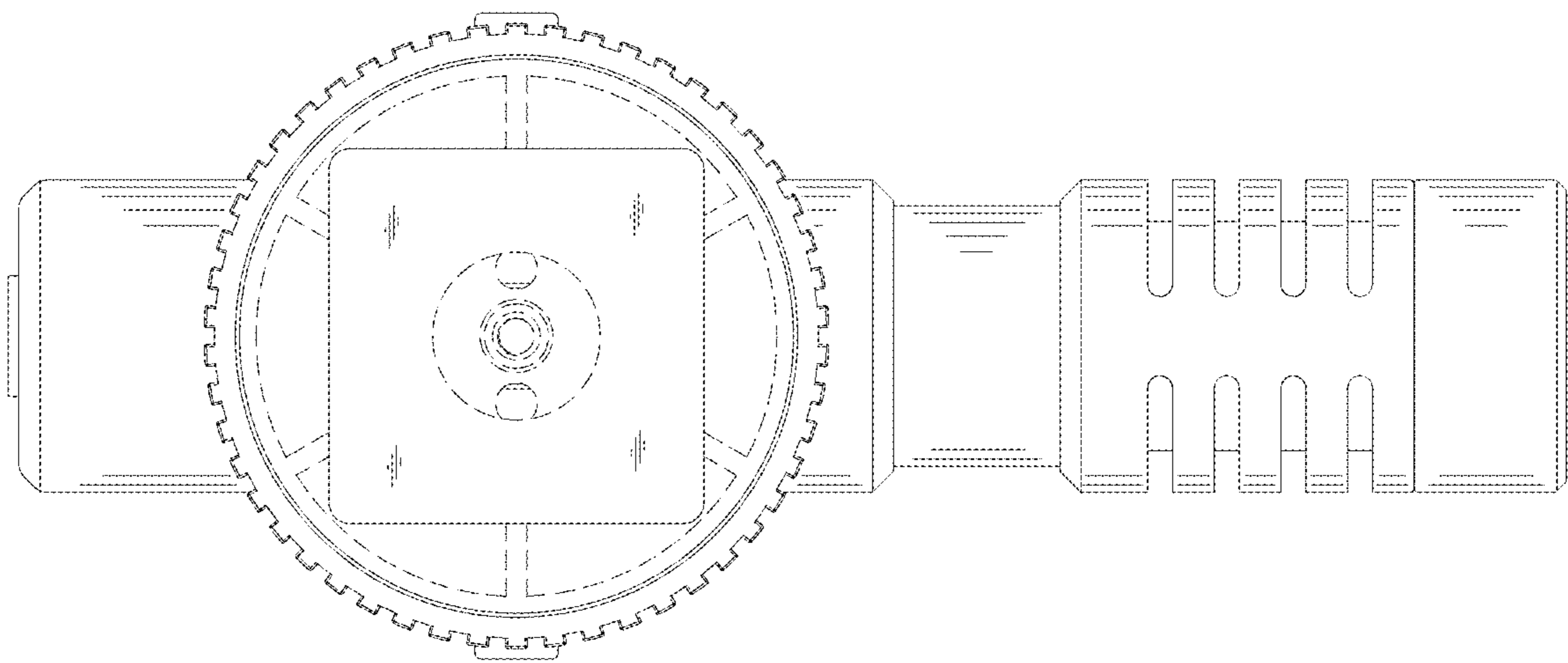


FIG. 7