

US00D941807S

(12) **United States Design Patent**
Zhou et al.

(10) **Patent No.:** **US D941,807 S**
(45) **Date of Patent:** **** Jan. 25, 2022**

(54) **EARPHONE**
(71) Applicant: **Yibai Science & Technology**
(Shenzhen) Co., Ltd., Guangdong (CN)
(72) Inventors: **Hongchao Zhou, Guangdong (CN);**
Changming Guo, Guangdong (CN)
(73) Assignee: **Yibai Science & Technology**
(Shenzhen) Co., Ltd., Shenzhen (CN)

D529,612 S * 10/2006 Feeley D24/174
D532,111 S * 11/2006 Espersen D24/174
D541,420 S * 4/2007 Darbut D24/174
D546,455 S * 7/2007 Darbut D24/174
D558,880 S * 1/2008 Le D24/174
7,443,992 B2 * 10/2008 Fideler H04R 25/604
381/328
D595,856 S * 7/2009 Tronza D24/174
D597,084 S * 7/2009 Gondo D14/223

(Continued)

(**) Term: **15 Years**

(21) Appl. No.: **29/734,788**

(22) Filed: **May 15, 2020**

(51) **LOC (13) Cl.** **14-01**

(52) **U.S. Cl.**
USPC **D14/223**

(58) **Field of Classification Search**
USPC D14/223, 205, 188, 192; D24/174;
128/864, 865, 866; 381/380, 370, 371,
381/328, 322; 455/90.3, 575.1, 569.1
CPC H04R 1/10; H04R 25/00; H04R 25/02;
H04R 1/1066; H04R 1/1016; H04R
5/033; H04R 5/0335; H04R 1/1091
See application file for complete search history.

(56) **References Cited**

U.S. PATENT DOCUMENTS

2,719,523 A * 10/1955 Henning A61F 11/10
128/864
D207,206 S * 3/1967 Geib D24/174
D297,979 S * 10/1988 Voroba D24/174
D338,530 S * 8/1993 Oberlander D24/174
5,410,608 A * 4/1995 Lucey H04R 1/083
381/360
D367,113 S * 2/1996 Weeks D24/174
D416,090 S * 11/1999 Miller D24/174
D455,835 S * 4/2002 Anderson D24/174
D461,791 S * 8/2002 Ma D14/206
D506,258 S * 6/2005 Nielsen D24/174

FOREIGN PATENT DOCUMENTS

CN 3463986 * 7/2005
EM 000452313-0001 * 12/2005
KR 300907968.0000 * 1/2017

Primary Examiner — Paula Allen Greene

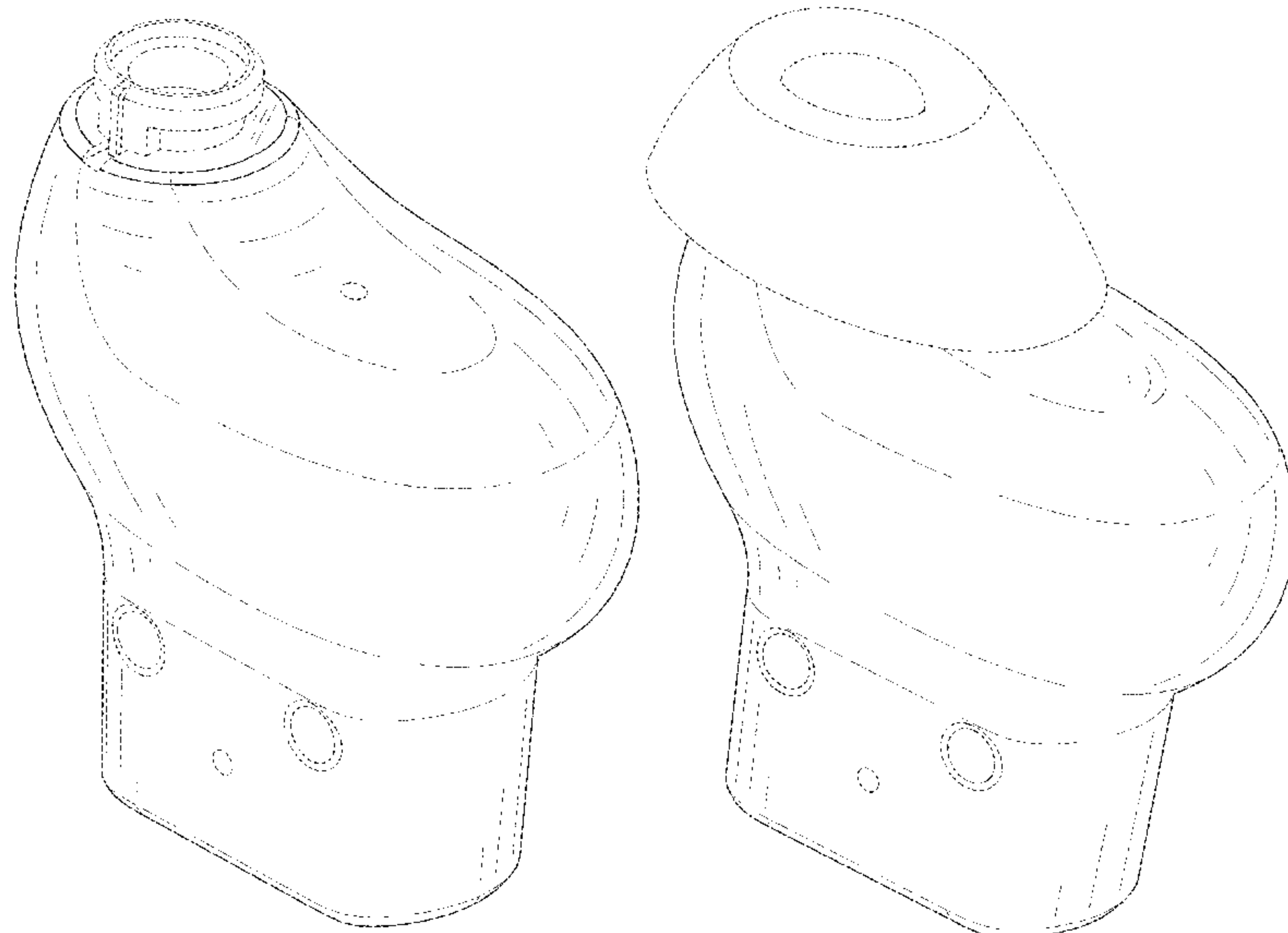
(57) **CLAIM**

The ornamental design for an earphone, as shown and described.

DESCRIPTION

FIG. 1 is a top, front and right side perspective view of an earphone showing our new design;
FIG. 2 is a bottom, rear and left side perspective view thereof;
FIG. 3 is a front elevational view thereof;
FIG. 4 is a rear elevational view thereof;
FIG. 5 is a left side elevational view thereof;
FIG. 6 is a right side elevational view thereof;
FIG. 7 is a top plan view thereof;
FIG. 8 is a bottom plan view thereof;
FIG. 9 is a top, front and right side perspective view of the earphone with an earplug cap; and,
FIG. 10 is a bottom, rear and left side perspective view of the earphone with an earplug cap.
The broken lines in the drawing illustrate portions of the earphone in FIGS. 1 through 8 and earphone earplug cap in FIGS. 9 and 10 that form no part of the claimed design.

1 Claim, 10 Drawing Sheets



(56)

References Cited

U.S. PATENT DOCUMENTS

D598,431 S *	8/2009	Densho	D14/223	D789,909 S *	6/2017	Hung	D14/223
D635,558 S *	4/2011	Zheng	D14/223	D801,951 S *	11/2017	Bao	D14/223
D636,381 S *	4/2011	Liner	D14/223	D806,879 S *	1/2018	Horbinski	D24/174
D649,957 S *	12/2011	Fahrendorff	D14/223	D808,934 S *	1/2018	Tang	D14/223
D657,499 S *	4/2012	Parkins	D29/112	D818,990 S *	5/2018	Tzeng	D14/205
D673,497 S *	1/2013	Rosenzweig	D13/101	D847,126 S *	4/2019	Loermann	D14/223
D674,376 S *	1/2013	Kelly	D14/223	D853,359 S *	7/2019	Guo	D14/223
D674,491 S *	1/2013	Bailey	D24/174	D897,318 S *	9/2020	Blundell	D14/223
8,447,061 B2 *	5/2013	Lee	H04R 1/1091 381/380	D900,064 S *	10/2020	Laffon de Mazieres	D14/223
D685,481 S *	7/2013	Heaysman	D24/174	D930,622 S *	9/2021	Lin	D14/223
D698,761 S *	2/2014	Bao	D14/223	2004/0010181 A1 *	1/2004	Feeley	H04R 25/60 600/25
D711,858 S *	8/2014	Yang	D14/223	2005/0238192 A1 *	10/2005	Ford	H04R 25/654 381/322
D712,882 S *	9/2014	Wang	D14/223	2009/0279727 A1 *	11/2009	Brimhall	H04R 25/602 381/323
D715,775 S *	10/2014	Rueskov	D14/221	2009/0304220 A1 *	12/2009	Fujikura	H04R 1/1091 381/380
D716,260 S *	10/2014	Park	D14/210	2012/0114160 A1 *	5/2012	Lin	H04R 1/1091 381/380
D728,107 S *	4/2015	Torres Martin	D24/174	2014/0140565 A1 *	5/2014	Liu	H04R 1/1091 381/380
D733,101 S *	6/2015	Pi	D14/223	2014/0205131 A1 *	7/2014	Azmi	H04R 1/1066 381/380
D733,689 S *	7/2015	Narita	D14/223	2021/0297766 A1 *	9/2021	Bai	H04R 1/1091
D735,169 S *	7/2015	Shieh	D14/223				
D742,861 S *	11/2015	Miyake	D14/223				
D743,949 S *	11/2015	Miyake	D14/223				
D747,295 S *	1/2016	Eastwood	D14/223				

* cited by examiner

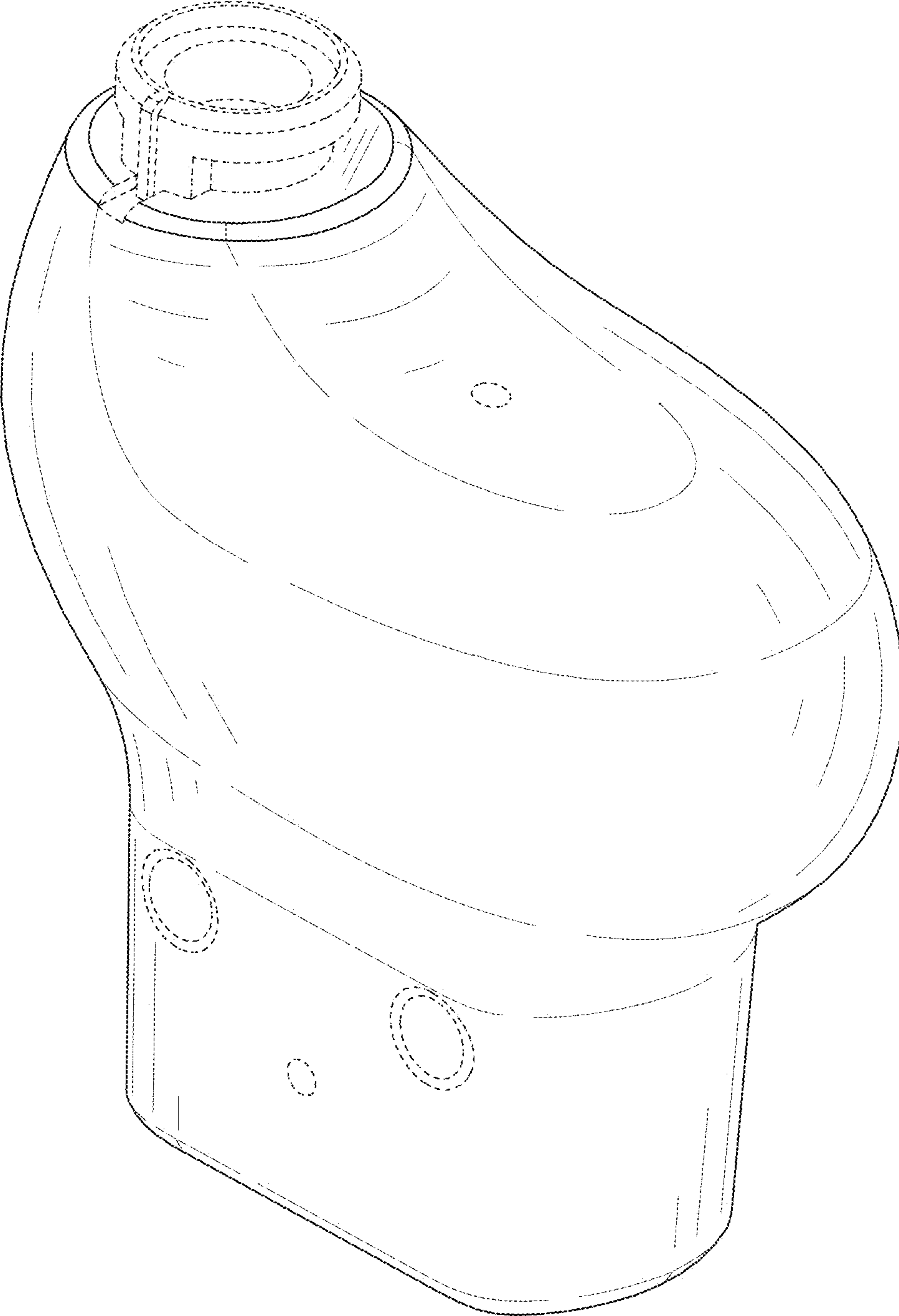


FIG.1

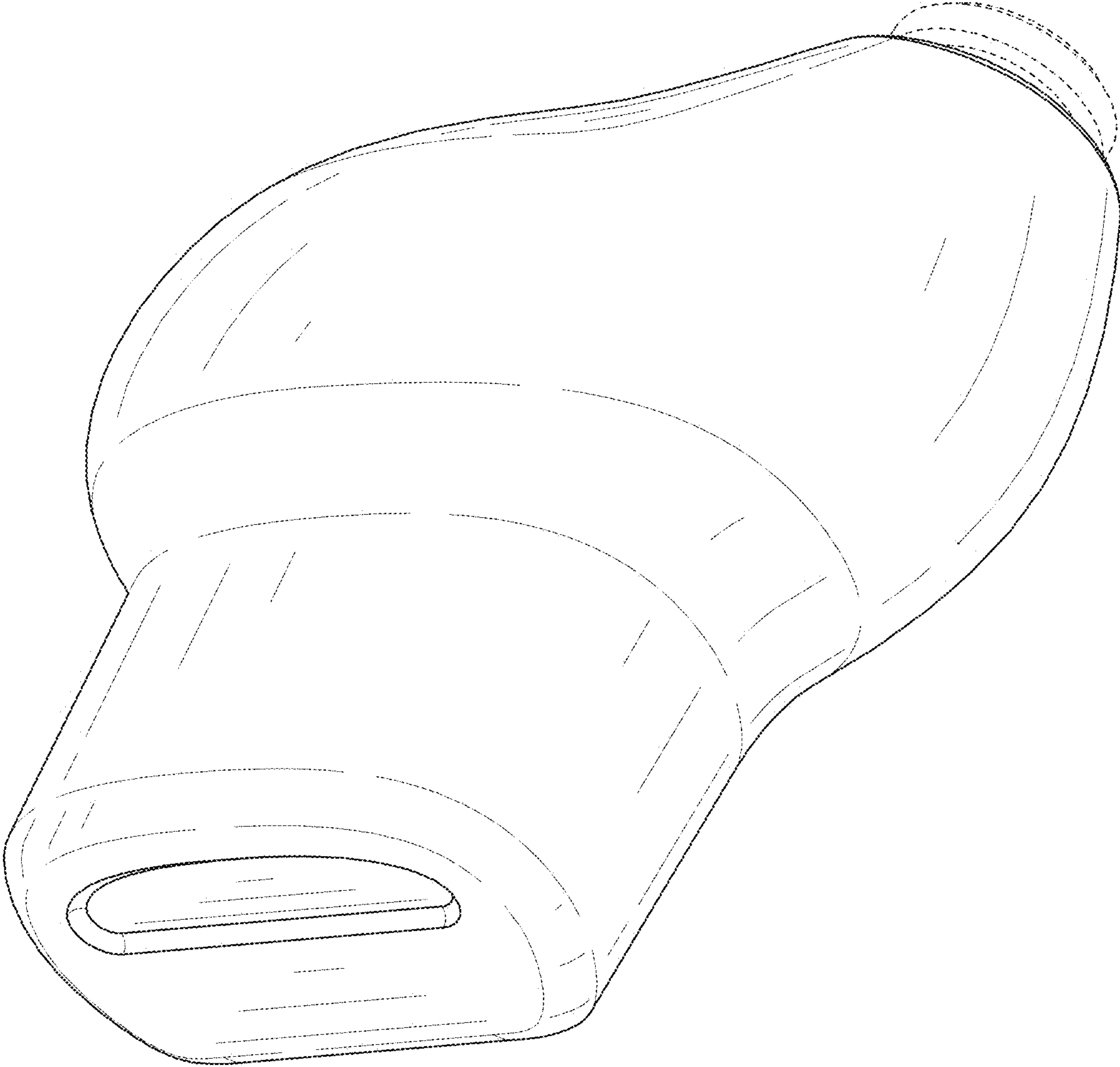


FIG.2

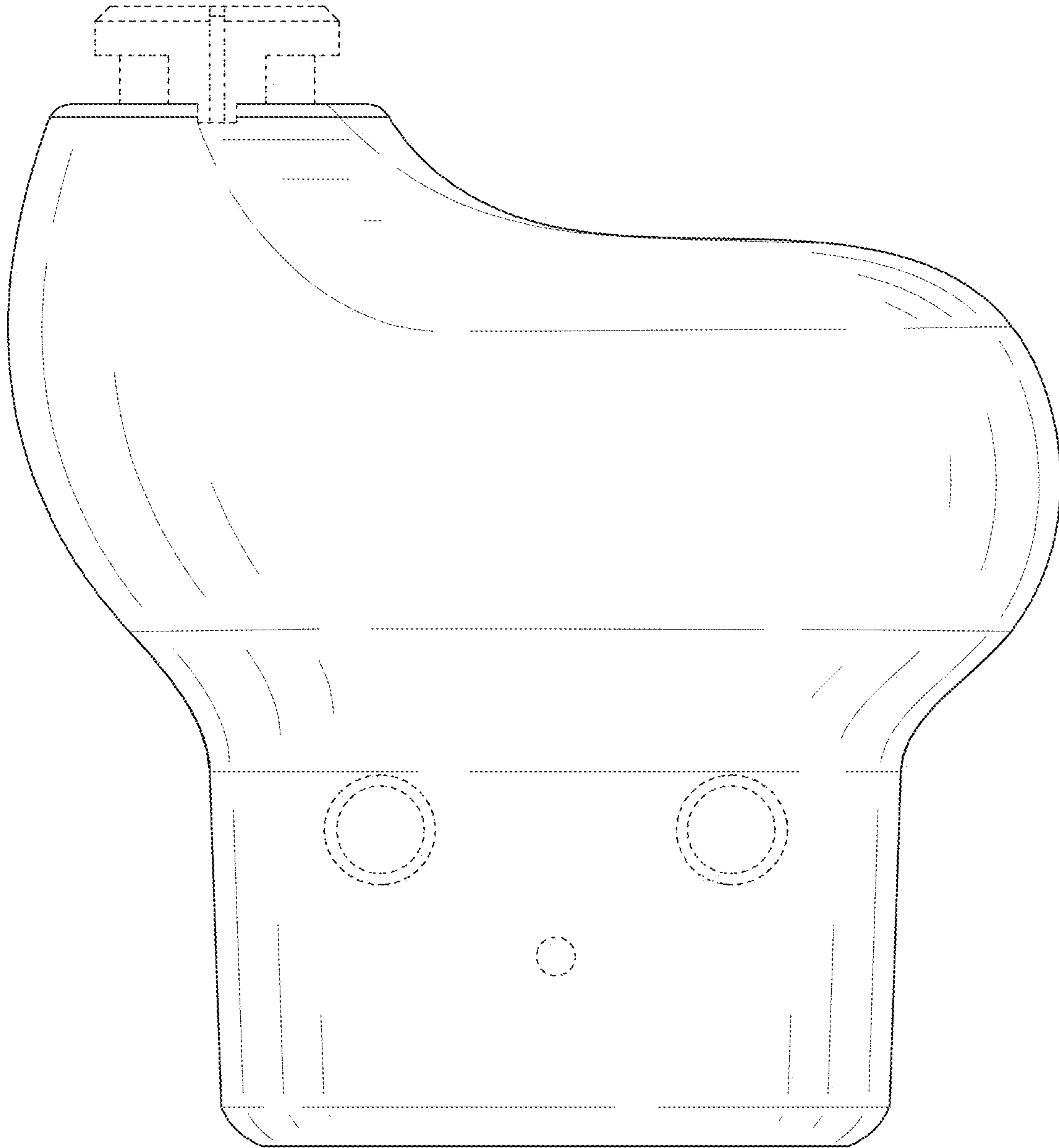


FIG. 3

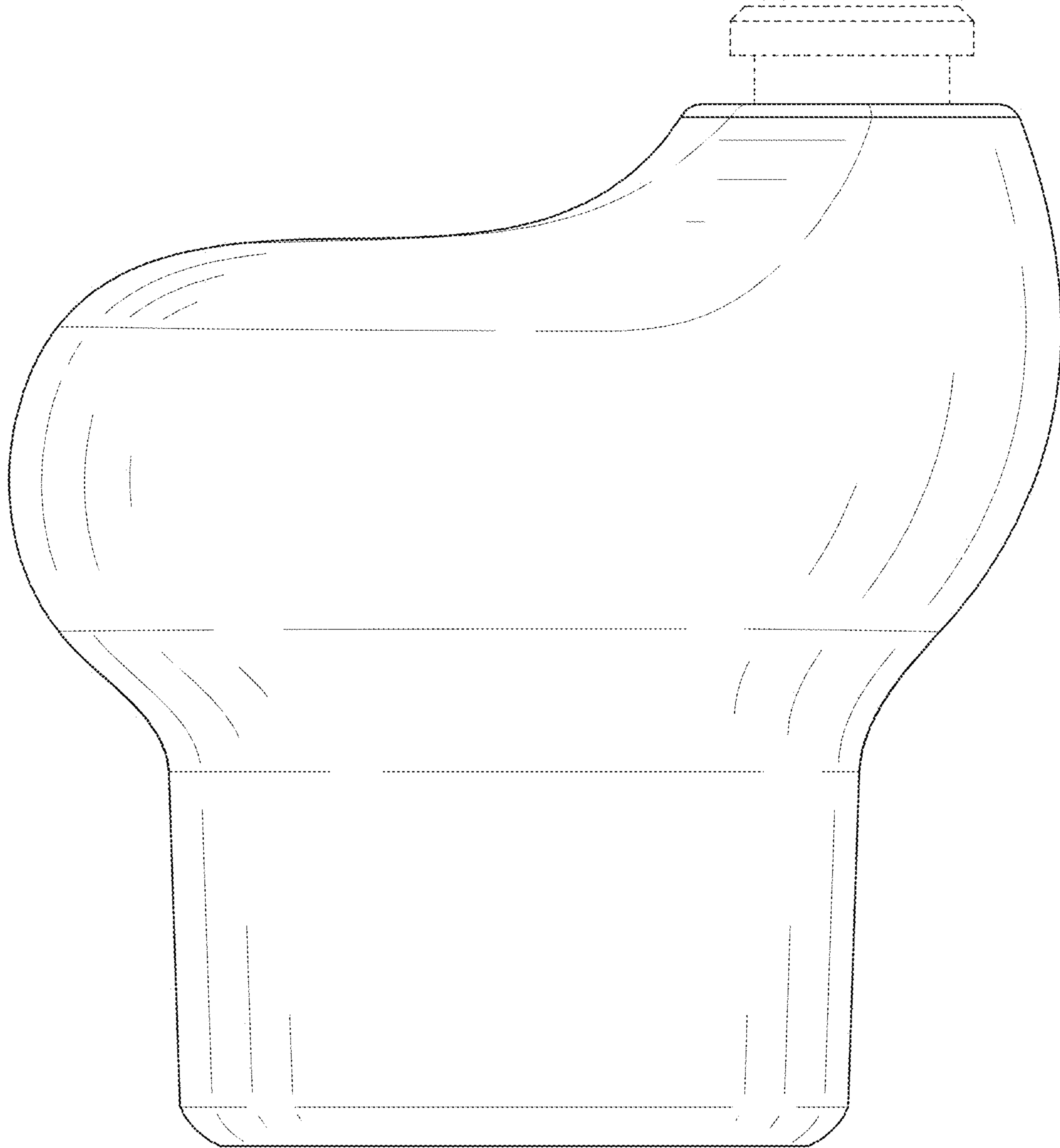


FIG. 4

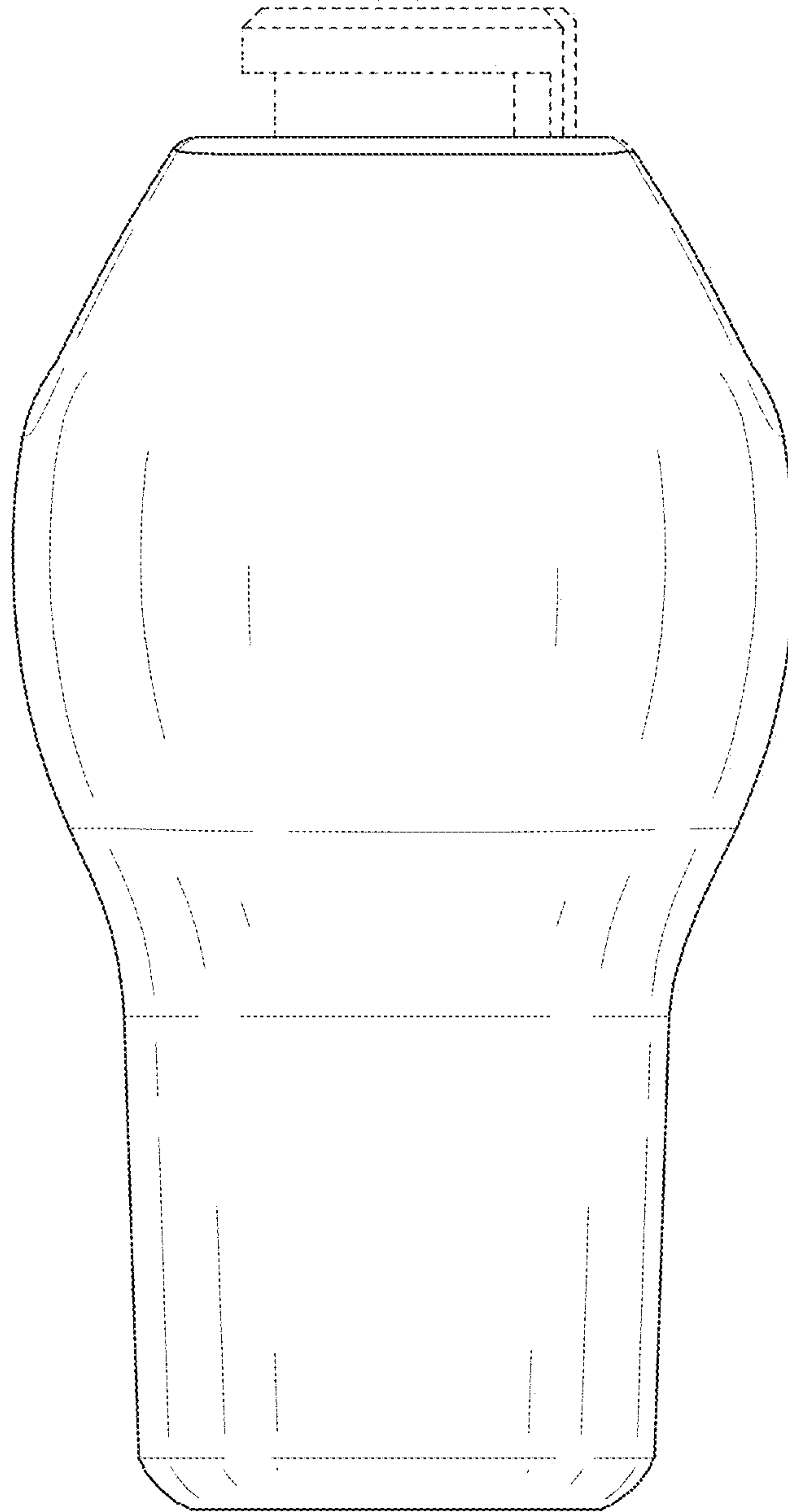


FIG. 5

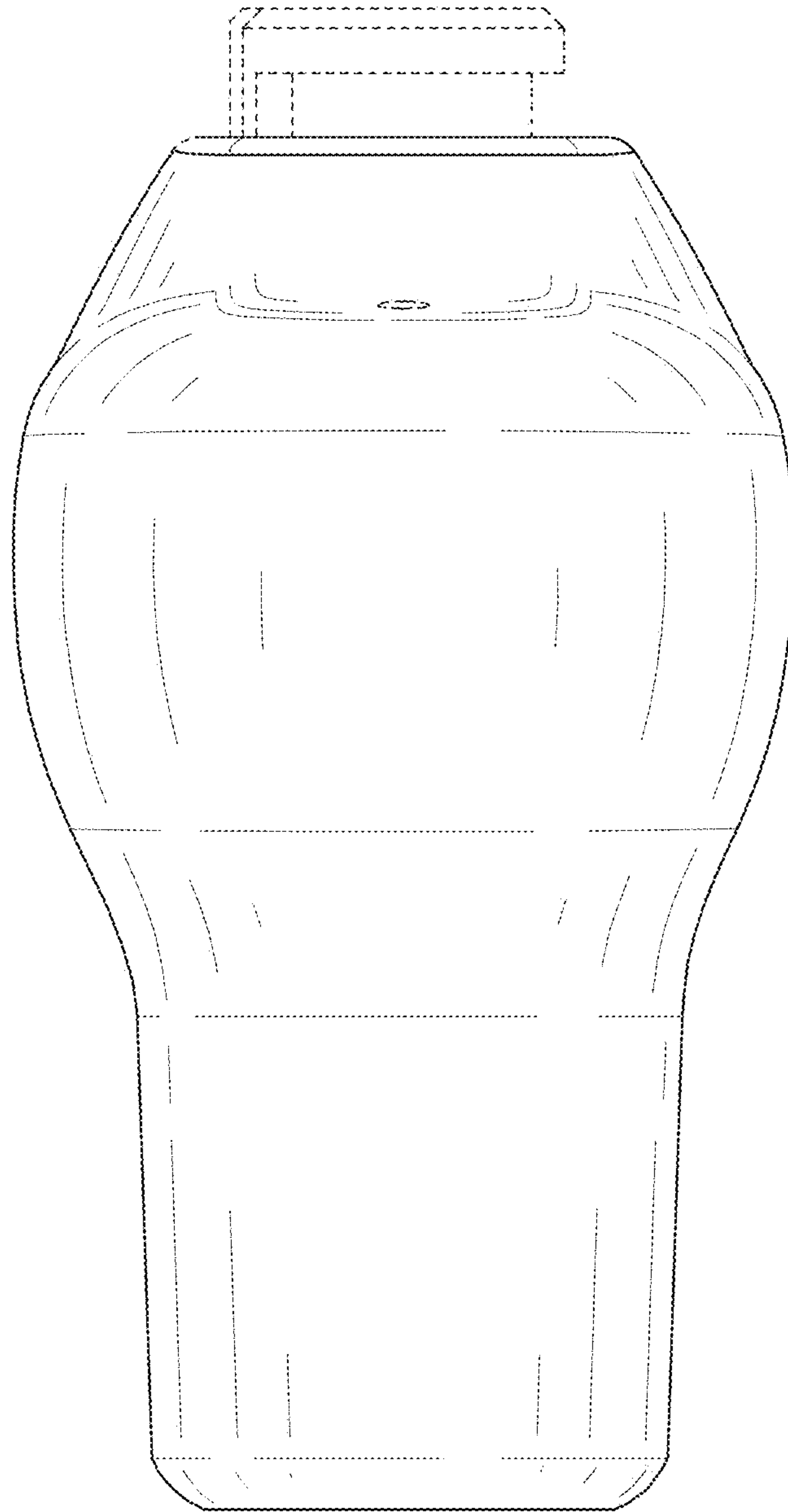


FIG. 6

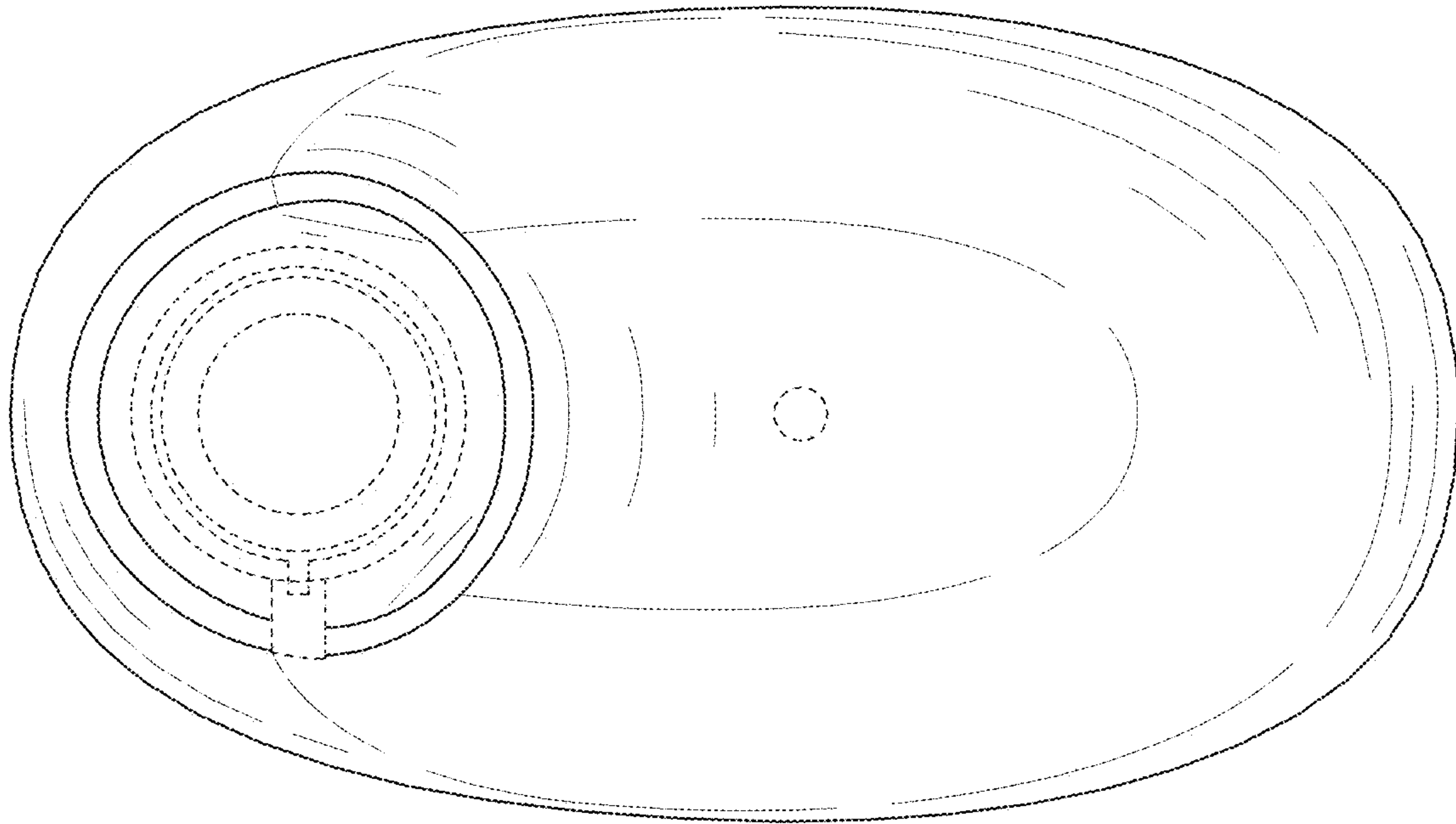


FIG. 7

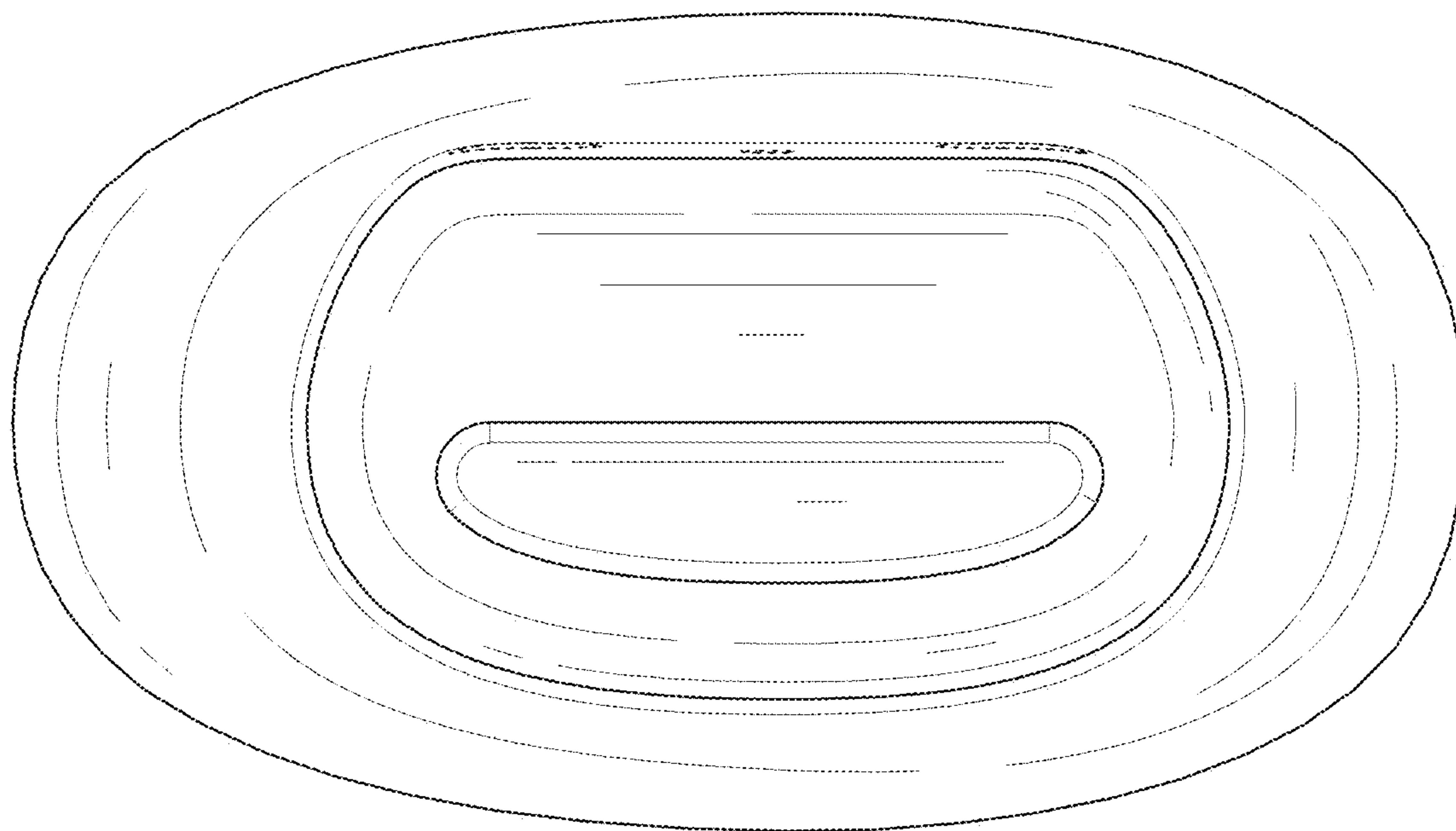


FIG. 8

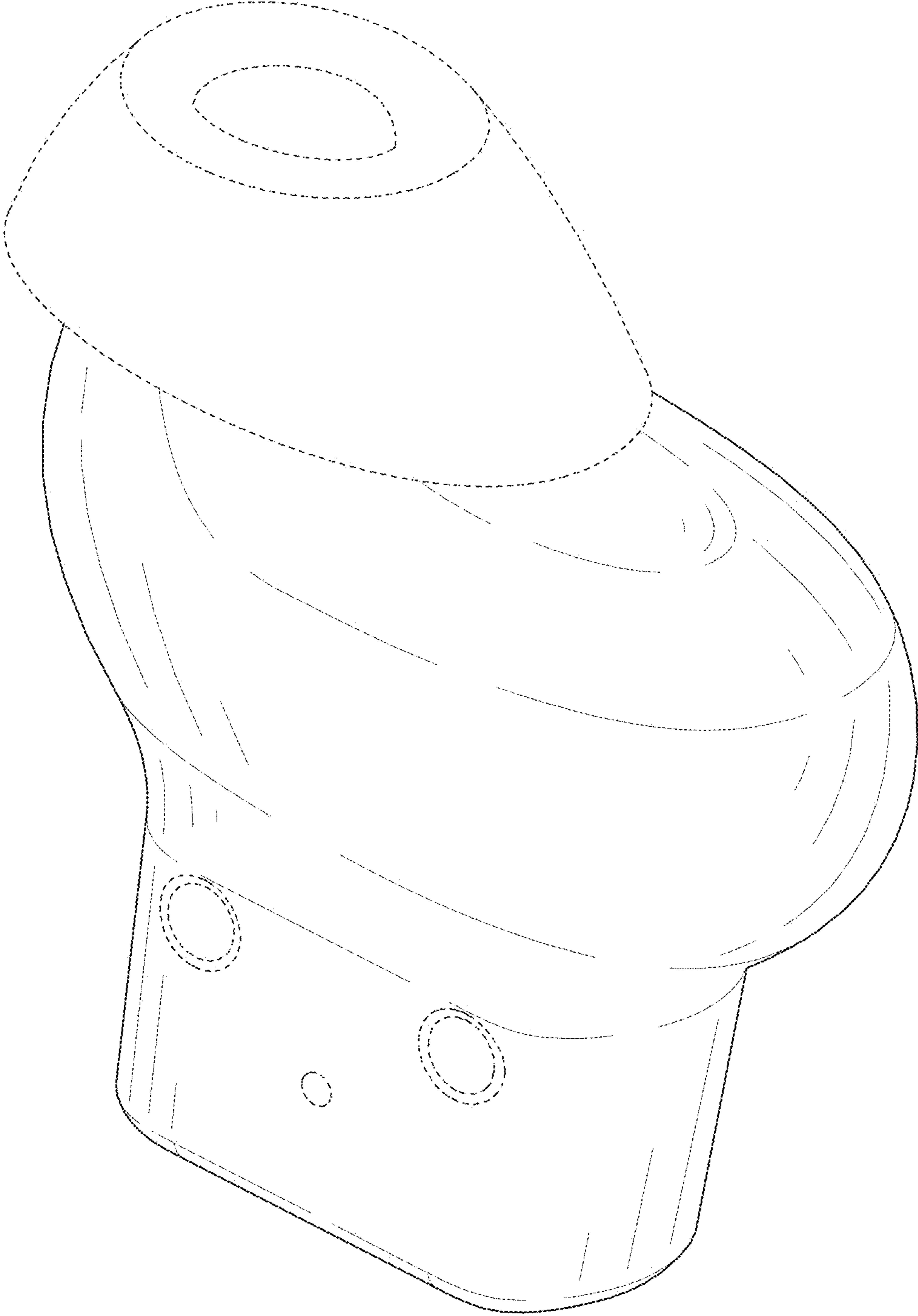


FIG. 9

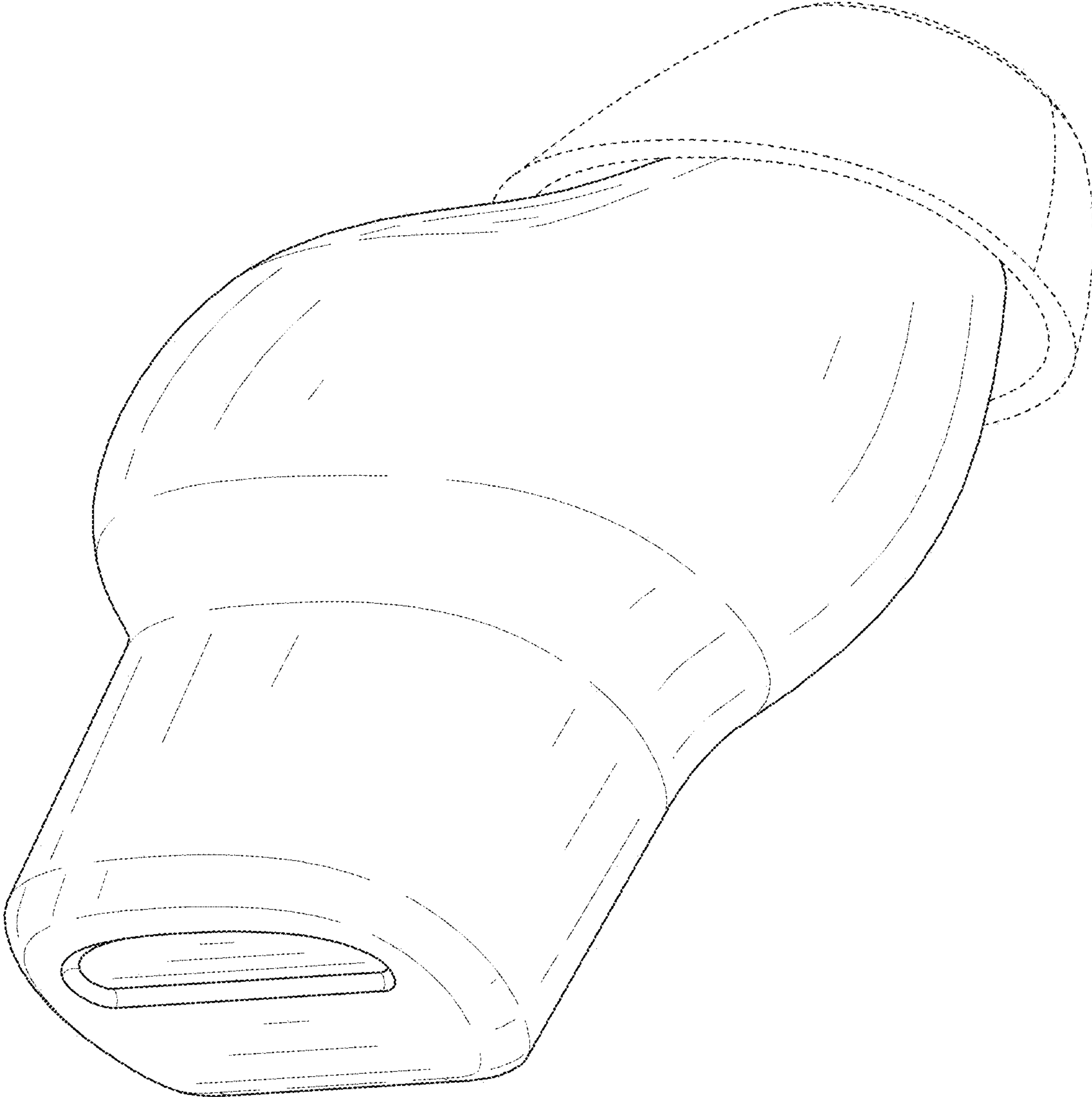


FIG.10