



US00D941804S

(12) **United States Design Patent** (10) **Patent No.:** **US D941,804 S**  
**Kosuge** (45) **Date of Patent:** **\*\* Jan. 25, 2022**

(54) **REMOTE CONTROLLER WITH DISPLAY**

(71) Applicant: **Hiroyasu Kosuge**, Osaka (JP)

(72) Inventor: **Hiroyasu Kosuge**, Osaka (JP)

(73) Assignees: **DAIKIN INDUSTRIES, LTD.**, Osaka (JP); **DAIKIN EUROPE N.V.**, Ostend (BE)

(\*\*) Term: **15 Years**

(21) Appl. No.: **29/734,805**

(22) Filed: **May 15, 2020**

**Related U.S. Application Data**

(63) Continuation-in-part of application No. 29/637,712, filed on Feb. 21, 2018, now abandoned.

(30) **Foreign Application Priority Data**

Sep. 4, 2017 (EP) ..... 004238285-0005

(51) **LOC (13) Cl.** ..... **14-03**

(52) **U.S. Cl.**  
USPC ..... **D14/218**

(58) **Field of Classification Search**  
USPC ..... D14/218; D13/168  
CPC ..... H04N 7/00  
See application file for complete search history.

(56) **References Cited**

**U.S. PATENT DOCUMENTS**

- D596,622 S \* 7/2009 Lee ..... D14/218
- D694,718 S \* 12/2013 Baumgartner ..... D13/168
- D725,049 S \* 3/2015 Paredes ..... D13/168
- D728,489 S \* 5/2015 Eriksen ..... D13/168
- D734,473 S \* 7/2015 Brandis ..... D24/174
- D737,697 S \* 9/2015 Bhattacharya ..... D10/50
- D743,954 S \* 11/2015 Chuang ..... D14/240
- D746,166 S \* 12/2015 Li ..... D10/104.1
- D749,666 S \* 2/2016 Ahdoot ..... D16/237
- D763,205 S \* 8/2016 Kashimoto ..... D13/168

- 9,488,380 B2 \* 11/2016 Ino ..... G08C 17/02
- D784,271 S \* 4/2017 Burke ..... D13/168
- D798,842 S \* 10/2017 Kass ..... D14/218
- D806,657 S \* 1/2018 Russo ..... D13/168
- D822,621 S \* 7/2018 Guan ..... D13/162

(Continued)

**FOREIGN PATENT DOCUMENTS**

MY 11-5-0102-0001 \* 1/2011

**OTHER PUBLICATIONS**

Daikin website Systems control, Wayback machine date Aug. 28, 2018, site visited Sep. 22, 2021, [https://web.archive.org/web/20190828013013/https://www.daikin.eu/en\\_us/product-group/control-systems.html](https://web.archive.org/web/20190828013013/https://www.daikin.eu/en_us/product-group/control-systems.html).\*

*Primary Examiner* — John R Yeh

(74) *Attorney, Agent, or Firm* — Manabu Kanesaka

(57) **CLAIM**

The ornamental design for remote controller with display, as shown and described.

**DESCRIPTION**

FIG. 1 is a perspective view of a remote controller with a display in which various settings are displayed, showing my new design;

FIG. 2 is a front view thereof;

FIG. 3 is a rear view thereof;

FIG. 4 is a top plan view thereof;

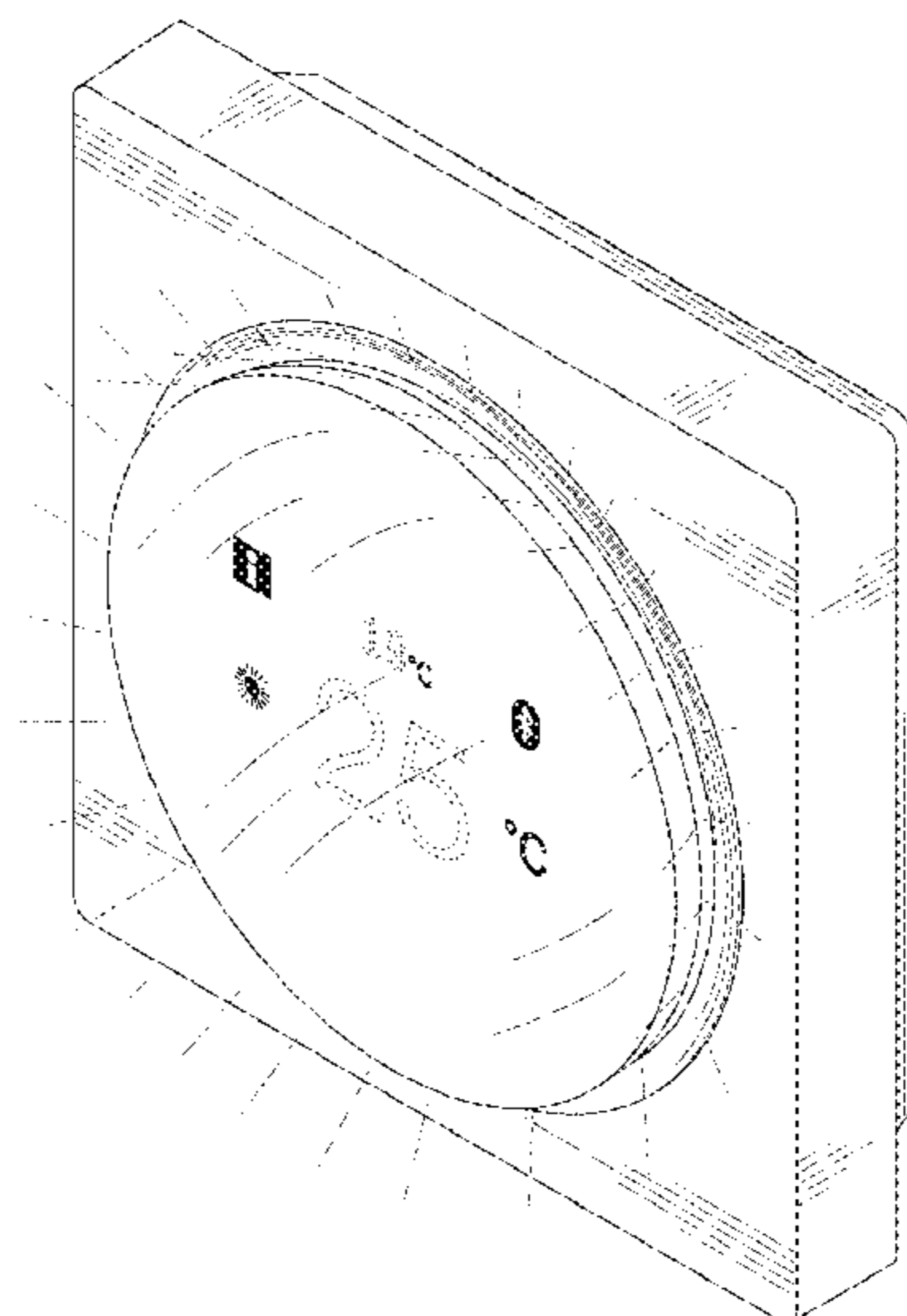
FIG. 5 is a bottom view thereof;

FIG. 6 is a left side view thereof; and,

FIG. 7 is a right side view thereof.

The dashed broken lines showing of the remote controller with display are for the purpose of illustrating the settings in the display, and form no part of claimed design; and the dash-dotted broken lines are for the purpose of illustrating light emission around the display and form no part of claimed design.

**1 Claim, 3 Drawing Sheets**



(56)

**References Cited**

U.S. PATENT DOCUMENTS

10,154,574	B2 *	12/2018	Yeh	.....	H05B 47/105
D845,931	S *	4/2019	Kosuge	.....	D14/218
D848,422	S *	5/2019	Kujawski	.....	D14/401
D857,635	S *	8/2019	Prevoteau	.....	D13/162
D861,644	S *	10/2019	Sohn	.....	D14/218
D863,258	S *	10/2019	Song	.....	D14/218
D865,718	S *	11/2019	Russo	.....	D14/218
D875,083	S *	2/2020	Sohn	.....	D14/218
D877,149	S *	3/2020	Johnston	.....	D14/388
D879,053	S *	3/2020	Yu	.....	D13/168
D910,598	S *	2/2021	Kass	.....	G06F 1/1656
					D14/218
D920,261	S *	5/2021	Isshiki	.....	D13/168
D928,728	S *	8/2021	Bould	.....	D13/168
D929,371	S *	8/2021	Kim	.....	D14/218
2006/0041179	A1 *	2/2006	Viswanathan	.....	A61B 34/70
					600/11
2009/0140064	A1 *	6/2009	Schultz	.....	F24F 11/30
					236/51
2010/0325580	A1 *	12/2010	Horiuchi	.....	F24F 11/30
					715/810
2014/0253300	A1 *	9/2014	Herridge	.....	G08C 19/00
					340/12.22
2014/0319232	A1 *	10/2014	Gourlay	.....	G05D 23/1905
					236/51

\* cited by examiner

Fig. 1

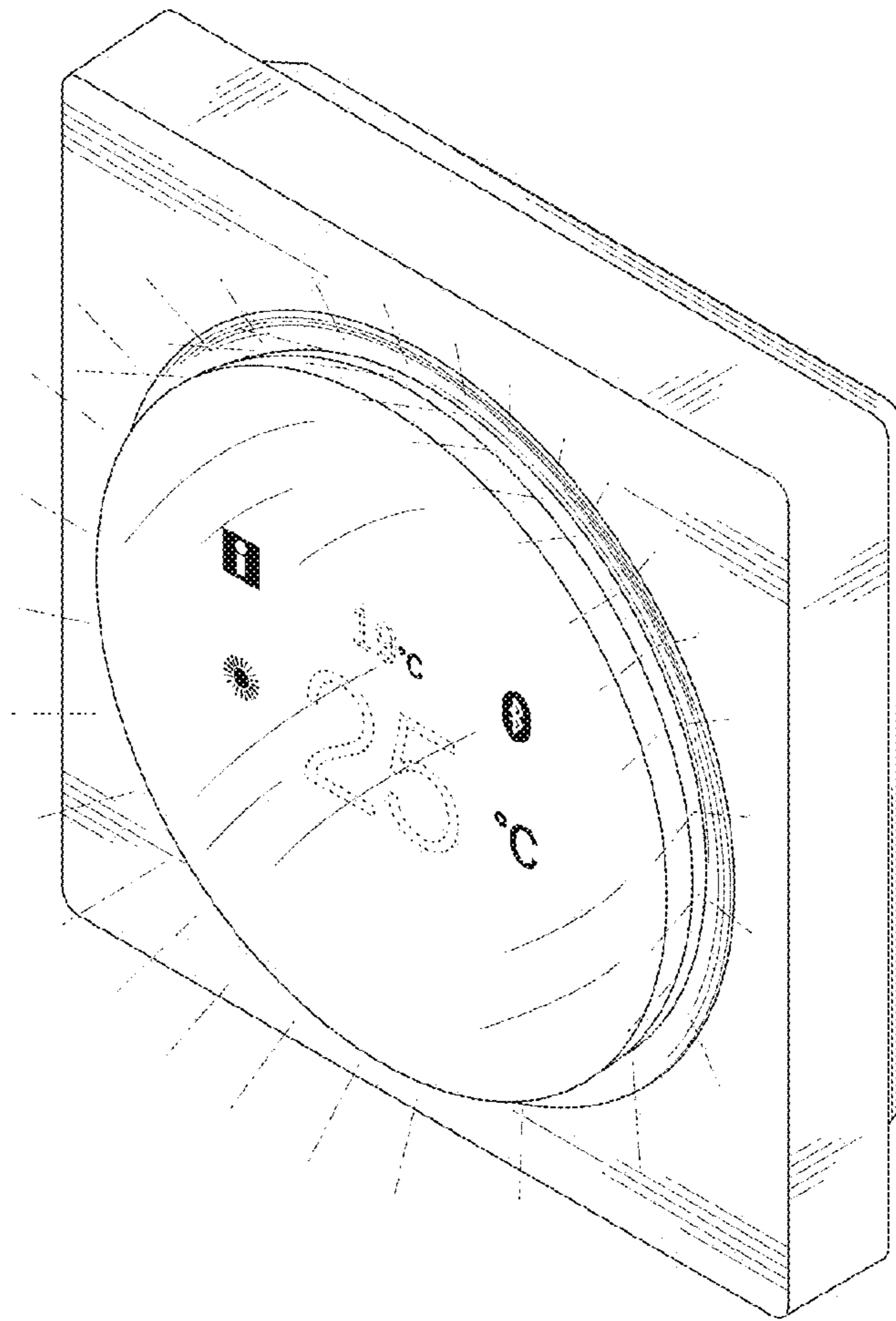


Fig. 2

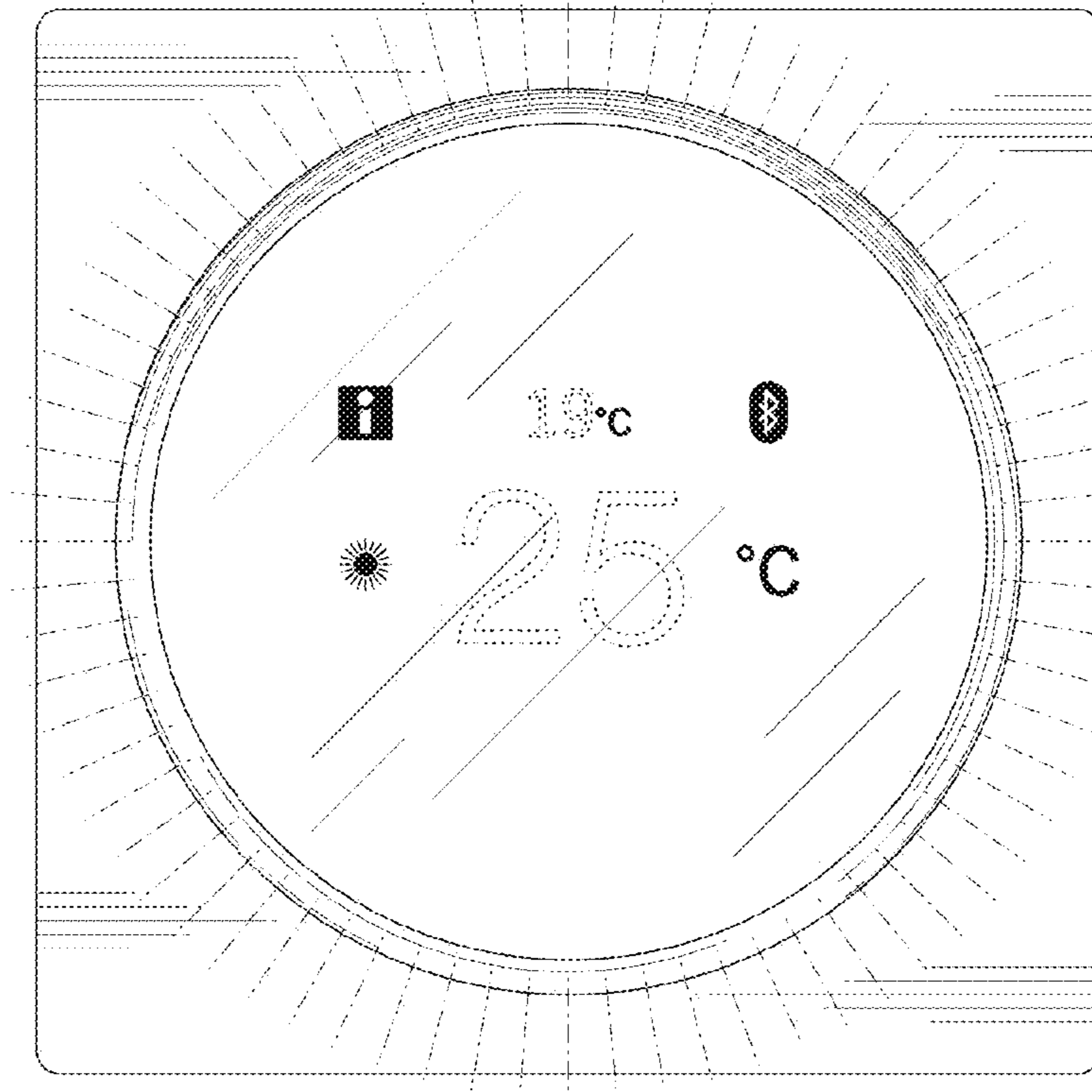


Fig.3

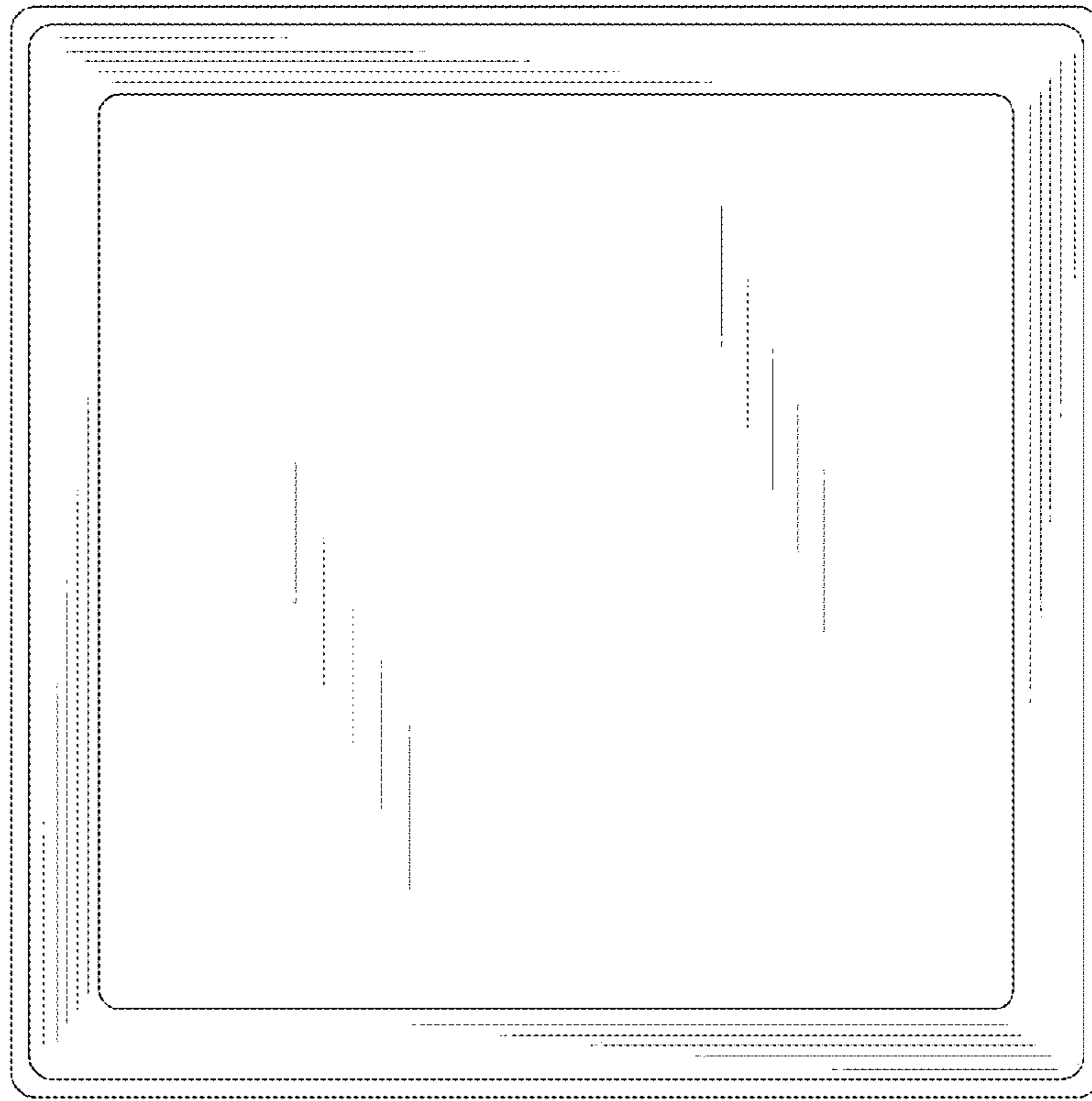


Fig.4

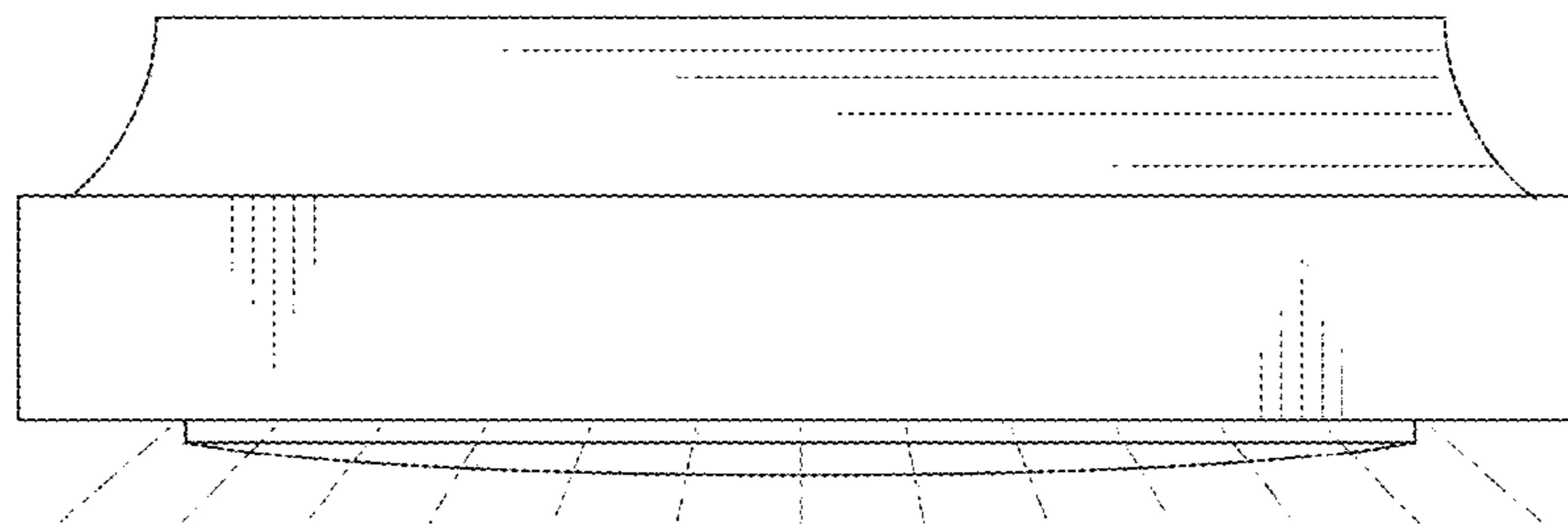


Fig.5

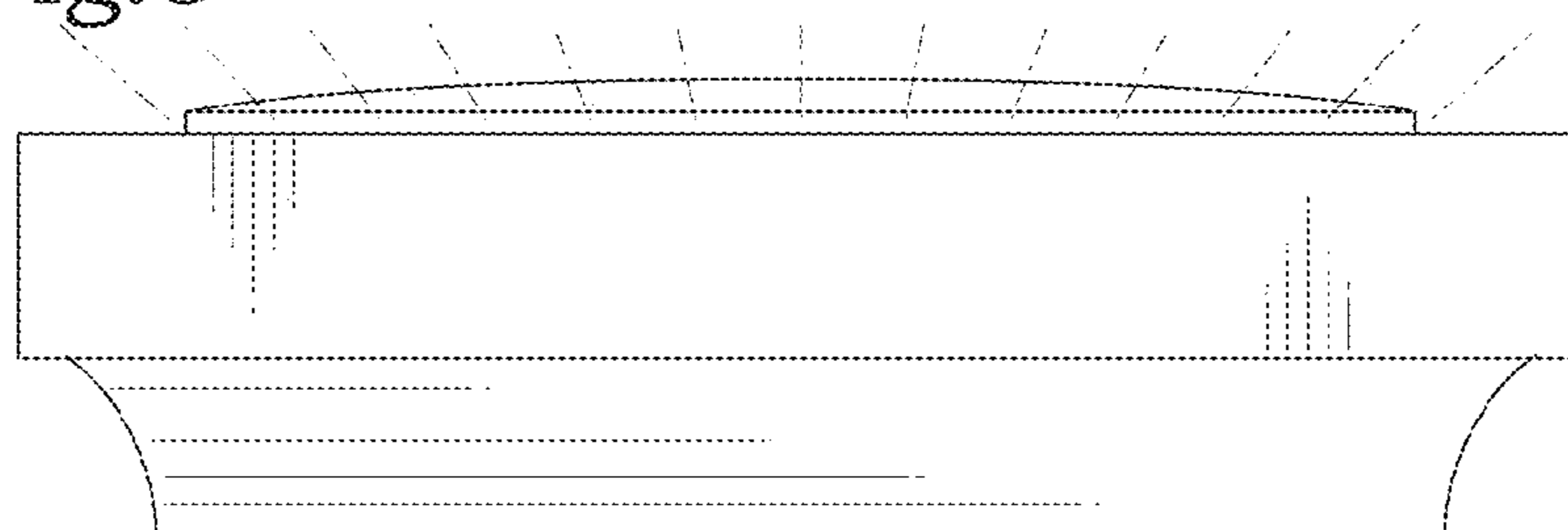


Fig.6

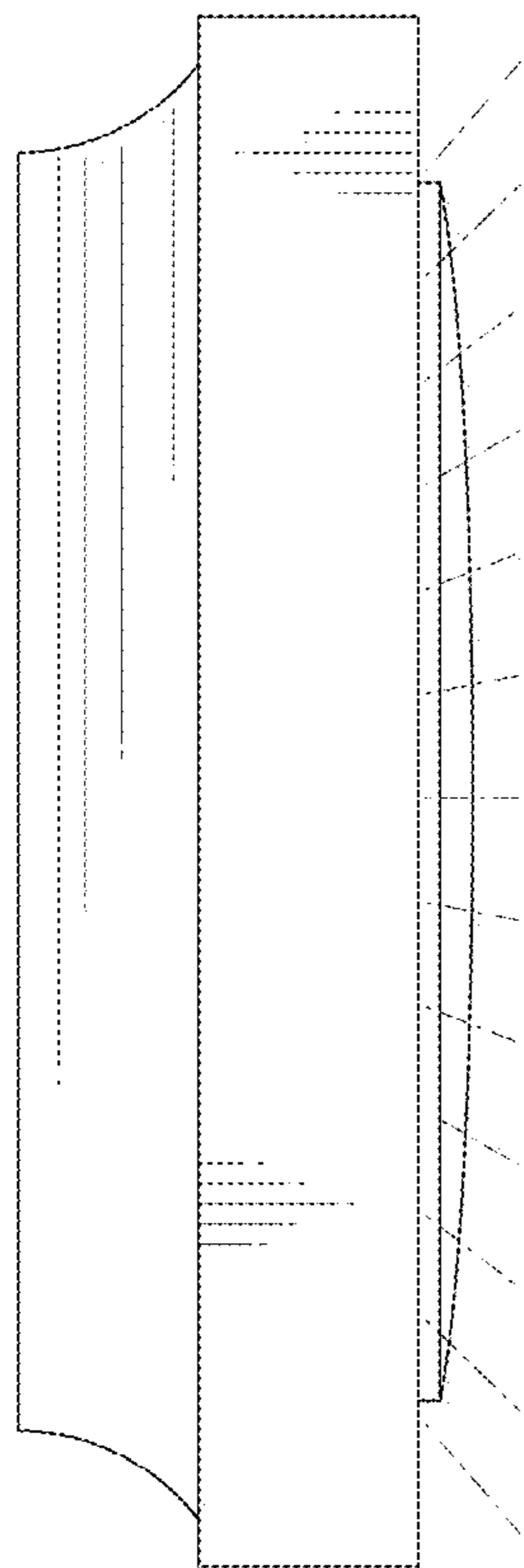


Fig.7

