



US00D941799S

(12) **United States Design Patent**
Hu

(10) **Patent No.:** **US D941,799 S**
(45) **Date of Patent:** **** Jan. 25, 2022**

- (54) **ELECTRONIC EARMUFF HEADPHONE**
- (71) Applicant: **Peilin Hu**, Guangzhou (CN)
- (72) Inventor: **Peilin Hu**, Guangzhou (CN)
- (73) Assignee: **Guangzhou OPSMEN Tech.Co., Ltd**,
Guangzhou (CN)
- (**) Term: **15 Years**
- (21) Appl. No.: **29/732,783**
- (22) Filed: **Apr. 28, 2020**
- (51) **LOC (13) Cl.** **14-01**
- (52) **U.S. Cl.**
USPC **D14/205; D14/192**
- (58) **Field of Classification Search**
USPC ... D14/205, 192, 147, 137, 168, 138 R, 197,
D14/198; D29/112, 122, 108; 379/430;
381/380, 381, 374; 455/575.2, 90.3,
455/569.1; 2/209
CPC .. A61F 11/14; A61B 5/00; H04R 1/10; H04R
1/1066; H04R 1/1016; H04R 5/033;
H04R 5/0335; H04R 25/00; H04R 25/02
See application file for complete search history.

- 3,984,885 A * 10/1976 Yoshimura H04R 1/1075
381/309
- D254,616 S * 4/1980 Tabata D14/205
- 4,802,243 A * 2/1989 Griffiths A61F 9/025
2/422
- 5,018,599 A * 5/1991 Dohi H04R 1/1008
181/129
- D322,071 S * 12/1991 Bergin D14/206
- 5,068,923 A * 12/1991 Sjoqvist A61F 11/14
2/209
- 5,113,428 A * 5/1992 Fitzgerald H04B 1/385
379/430
- 5,241,971 A * 9/1993 Lundin A61F 11/14
128/864
- D346,380 S * 4/1994 Fitzgerald D14/138 R
- D375,584 S * 11/1996 Westerdal D29/112
- D377,174 S * 1/1997 Runquist D14/206

(Continued)

FOREIGN PATENT DOCUMENTS

- CN 306373763 * 3/2021
- CN 306824667 * 9/2021

(Continued)

Primary Examiner — Paula Allen Greene

(57) **CLAIM**

The ornamental design for an electronic earmuff headphone, as shown and described.

DESCRIPTION

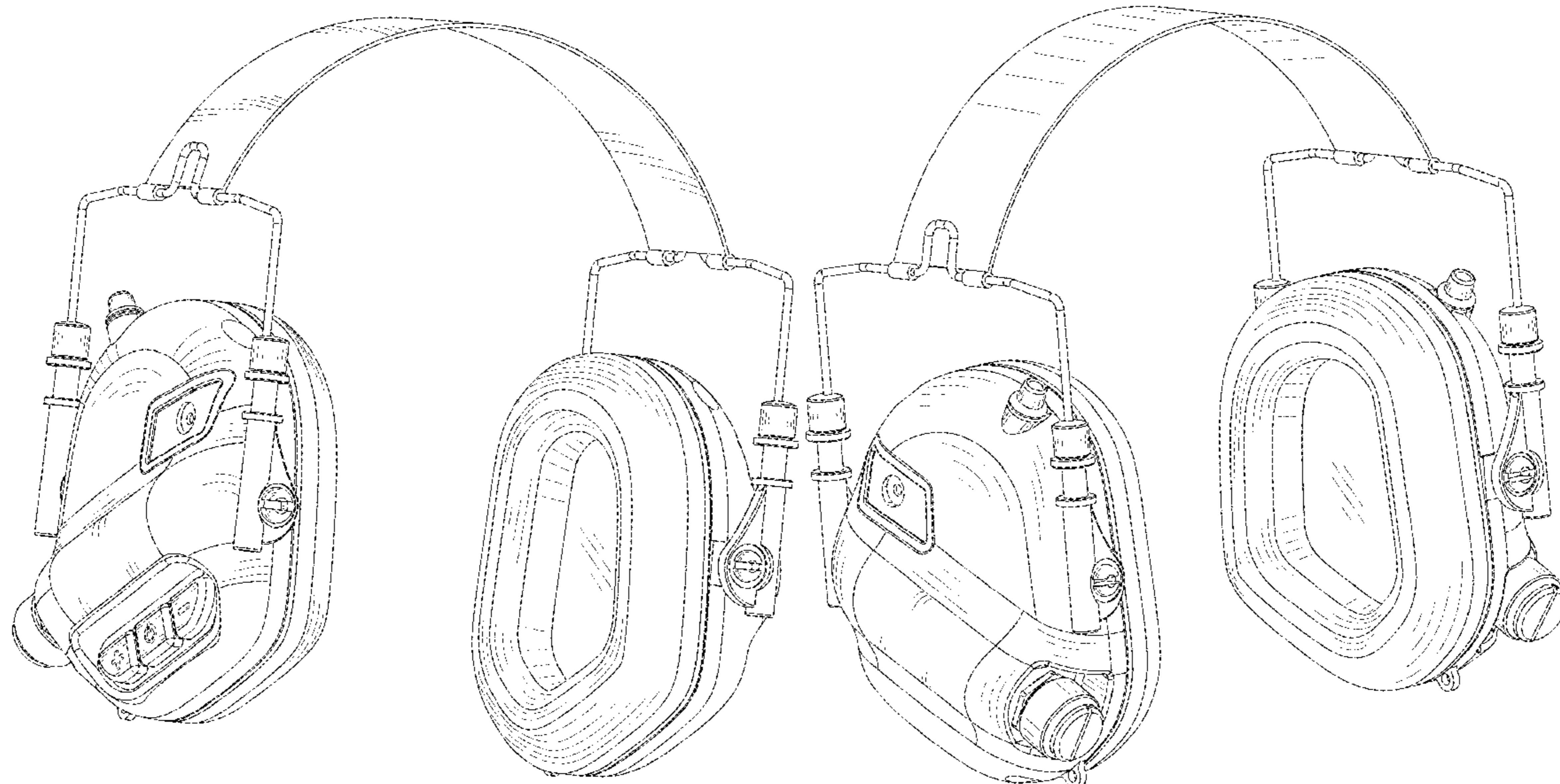
FIG. 1 is a front perspective view of the electronic earmuff headphone showing my new design; FIG. 2 is a rear perspective view thereof; FIG. 3 is a front elevational view thereof; FIG. 4 is a rear elevational view thereof; FIG. 5 is a left side elevational view thereof; FIG. 6 is a right side elevational view thereof; FIG. 7 is a top plan view thereof; and, FIG. 8 is a bottom plan view thereof.

1 Claim, 8 Drawing Sheets

(56) **References Cited**

U.S. PATENT DOCUMENTS

- 3,193,841 A * 7/1965 Haluska A42B 3/166
2/423
- 3,430,261 A * 3/1969 Benner A42B 3/166
2/423
- 3,661,225 A * 5/1972 Anderson A61F 11/14
181/175
- 3,795,919 A * 3/1974 Aho A42B 3/166
2/423
- 3,811,183 A * 5/1974 Celling H01L 21/563
29/827
- 3,864,756 A * 2/1975 Desimone A42B 3/166
2/423



(56)

References Cited

U.S. PATENT DOCUMENTS

D385,665 S * 10/1997 Westerdal D29/112
 D390,564 S * 2/1998 Savona D14/205
 5,721,775 A * 2/1998 Leiter H04M 1/05
 379/430
 D403,126 S * 12/1998 Scanlon D29/112
 D411,200 S * 6/1999 Almqvist D14/192
 D413,413 S * 8/1999 Dillon D29/112
 D425,888 S * 5/2000 Fitzgerald D14/142
 D427,382 S * 6/2000 Leight D29/112
 D434,191 S * 11/2000 Emilsson D29/112
 D445,240 S * 7/2001 Persson D2/866
 D459,033 S * 6/2002 Dix D29/112
 D459,337 S * 6/2002 Mori D14/192
 6,456,199 B1 * 9/2002 Michael A61F 11/12
 340/540
 6,724,906 B2 * 4/2004 Naksen H04R 1/1066
 381/370
 D497,608 S * 10/2004 Birgersson D14/205
 D509,323 S * 9/2005 Emilsson D29/112
 D512,708 S * 12/2005 Harris, Jr. D14/205
 D616,865 S * 6/2010 Marchand D14/205
 7,766,120 B2 * 8/2010 Hansson A61F 11/14
 181/129
 D633,894 S * 3/2011 Meyer D14/205
 D633,900 S * 3/2011 Tsai D14/230
 D633,984 S * 3/2011 Plantz D23/225
 D641,727 S * 7/2011 Krauss D14/206
 D651,764 S * 1/2012 Gresko A61F 11/14
 D29/112
 D663,902 S * 7/2012 Karlsson A61F 11/14
 D29/122
 D687,409 S * 8/2013 Lee D14/205
 D703,183 S * 4/2014 Moriya H04S 1/005
 D14/206
 D713,375 S * 9/2014 Dedinas D14/206
 D713,376 S * 9/2014 Dedinas D14/206
 D735,475 S * 8/2015 Romero Pedret D3/254
 D736,475 S * 8/2015 Fletcher D29/112

D744,171 S * 11/2015 Rose D29/112
 D747,557 S * 1/2016 Bonney D29/112
 D752,816 S * 3/2016 Fletcher D29/112
 D753,884 S * 4/2016 Bonney D29/112
 D763,518 S * 8/2016 Fletcher D29/122
 D764,717 S * 8/2016 Fletcher D29/112
 D766,207 S * 9/2016 Paterson D14/205
 D766,208 S * 9/2016 Paterson D14/205
 D772,842 S * 11/2016 Sharp D14/205
 D789,615 S * 6/2017 Pratley D29/112
 D790,506 S * 6/2017 Broadley D14/206
 D805,257 S * 12/2017 Maansson D29/122
 D805,697 S * 12/2017 Pratley D29/112
 D807,584 S * 1/2018 Fletcher D29/112
 D807,585 S * 1/2018 Fletcher D29/112
 D821,653 S * 6/2018 Pratley D29/112
 D830,642 S * 10/2018 Fletcher D29/122
 D848,396 S * 5/2019 Wilson A61F 11/14
 D14/205
 D848,679 S * 5/2019 Wilson D29/112
 D851,839 S * 6/2019 Scanlon D29/112
 D857,656 S * 8/2019 Ipsen D14/206
 D859,355 S * 9/2019 Hu D14/205
 D864,901 S * 10/2019 Barber D14/205
 D868,732 S * 12/2019 Jaspers D14/205
 D897,608 S * 9/2020 Wilson D29/122
 D921,992 S * 6/2021 Hemeyer D29/112
 2002/0003889 A1 * 1/2002 Fischer H04R 1/1041
 381/370
 2002/0080987 A1 * 6/2002 Almqvist A61F 11/14
 381/371
 2013/0340769 A1 * 12/2013 Roos A61F 11/14
 128/866
 2019/0314207 A1 * 10/2019 Bui A61F 11/14
 2020/0396532 A1 * 12/2020 Bui A61B 5/0006

FOREIGN PATENT DOCUMENTS

IN 312107-0001 * 11/2018
 WO D042032-001 * 11/1997

* cited by examiner

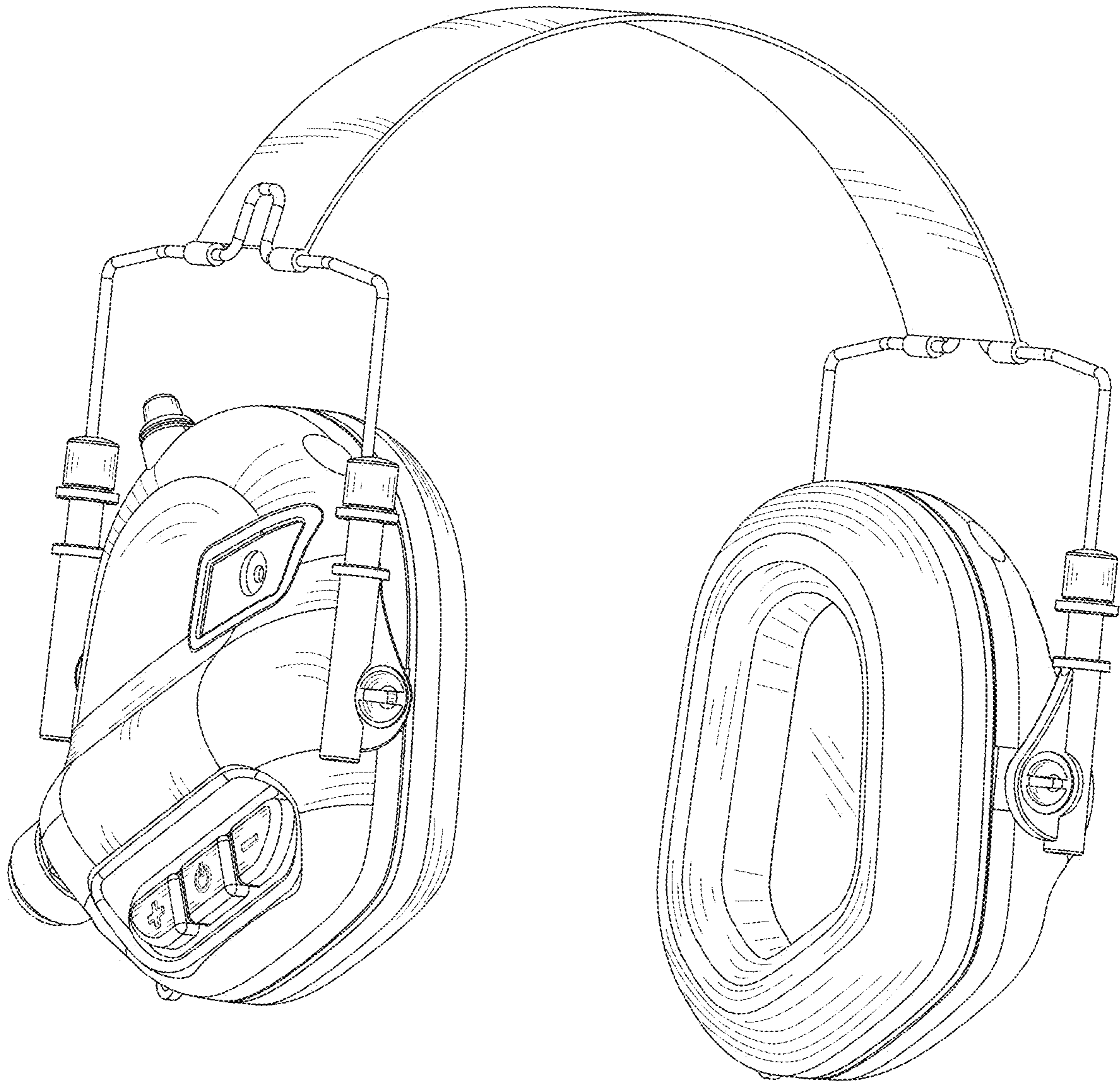


FIG. 1

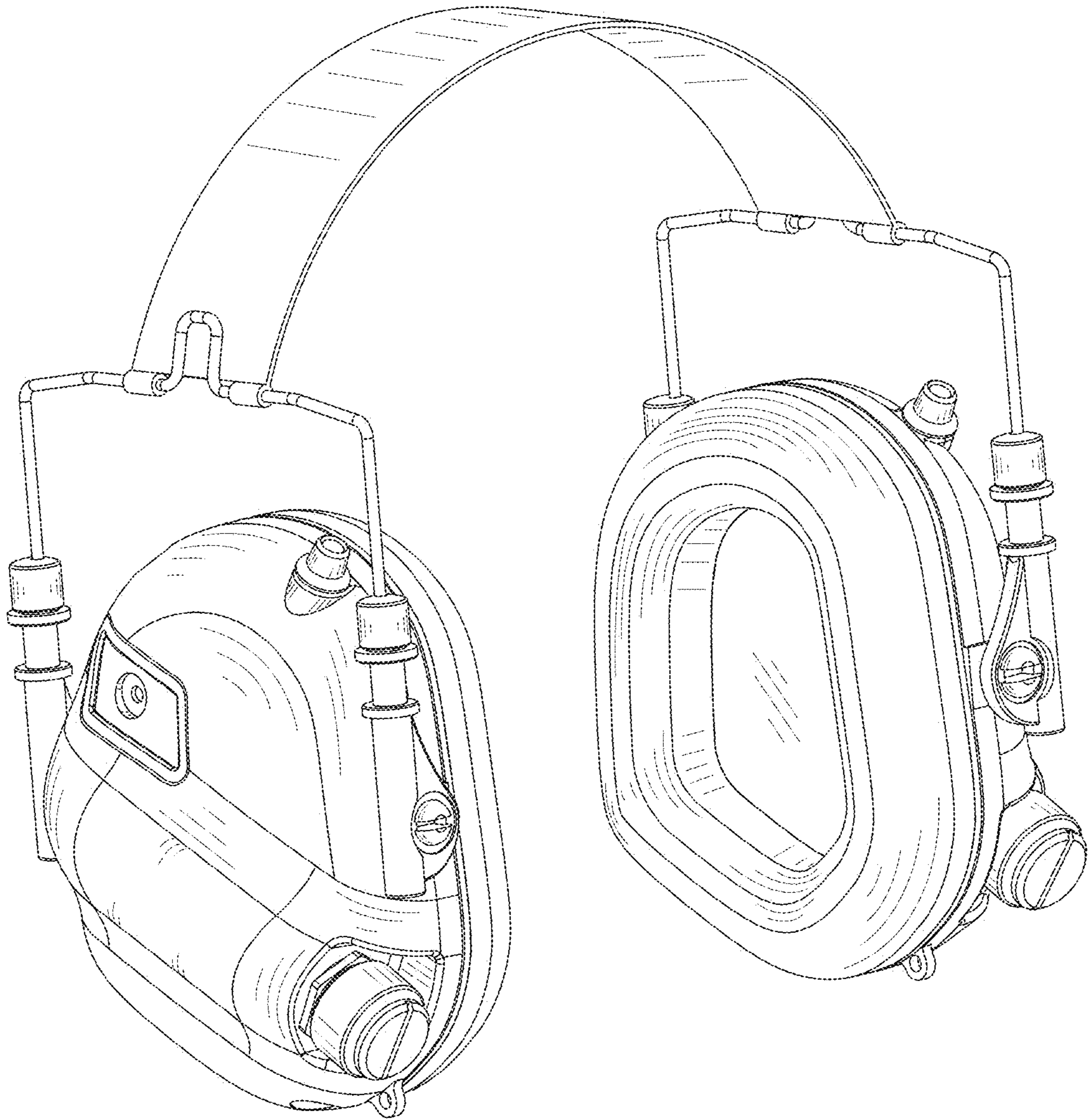


FIG. 2

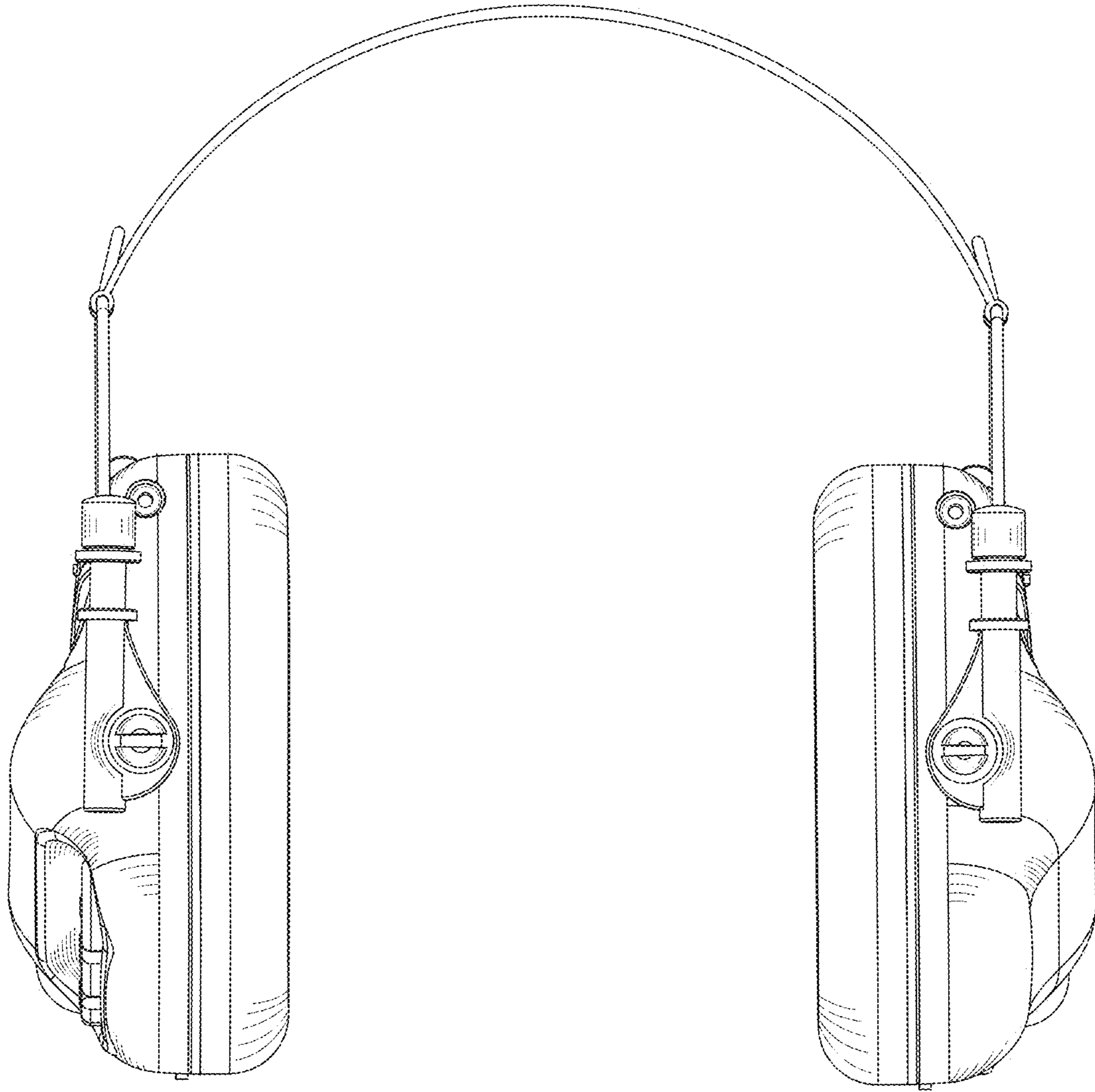


FIG. 3

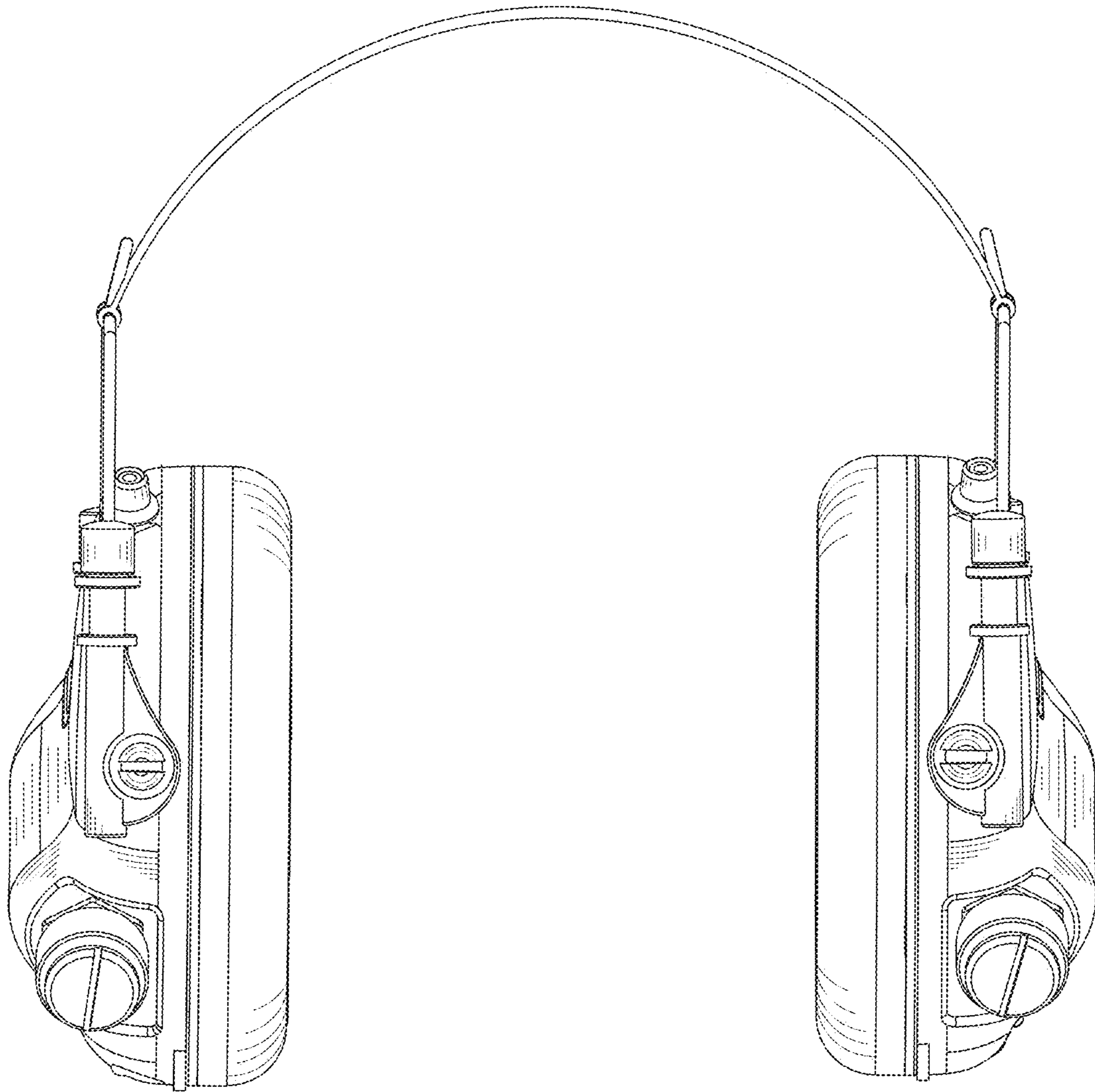


FIG. 4

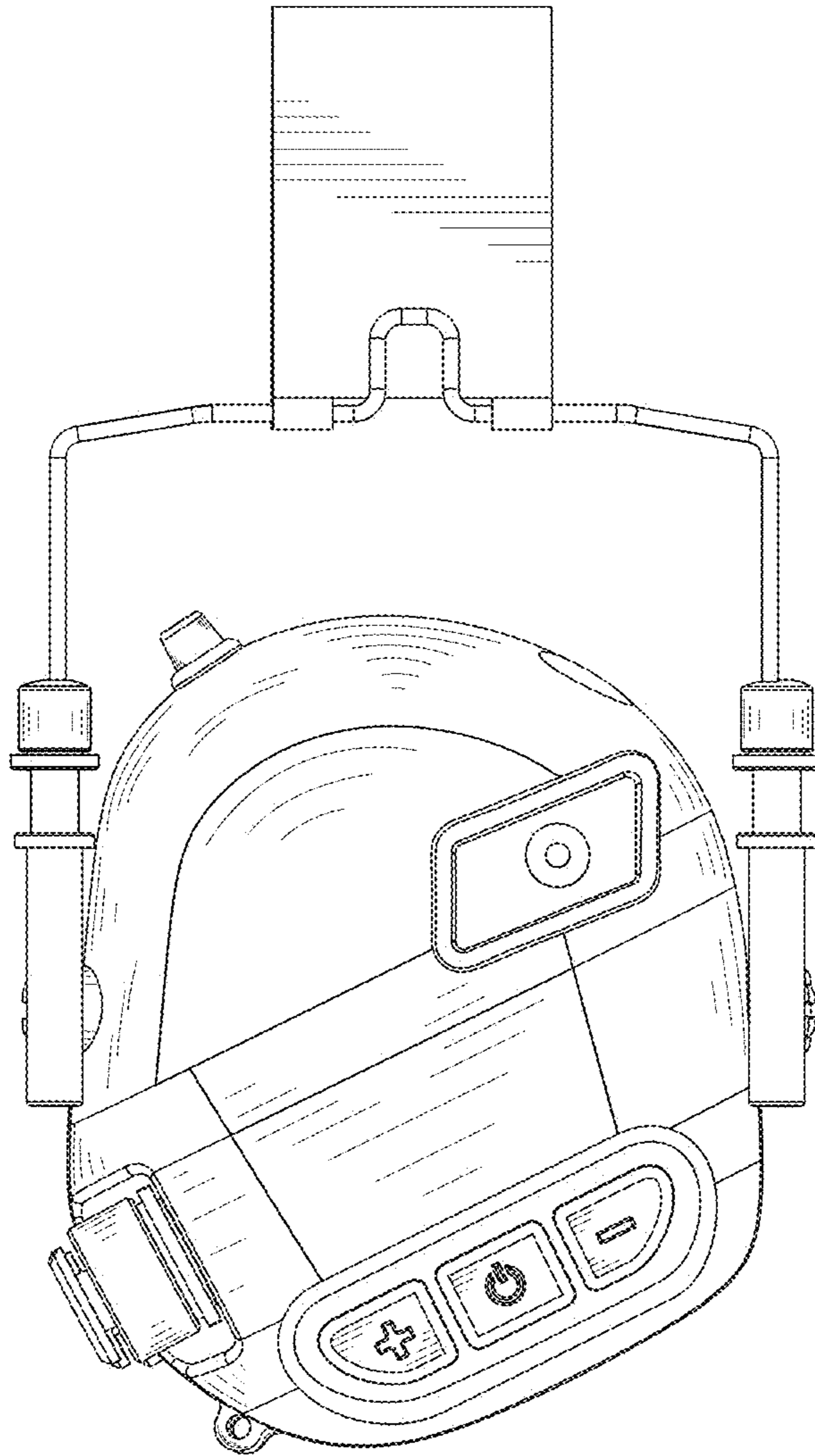


FIG. 5

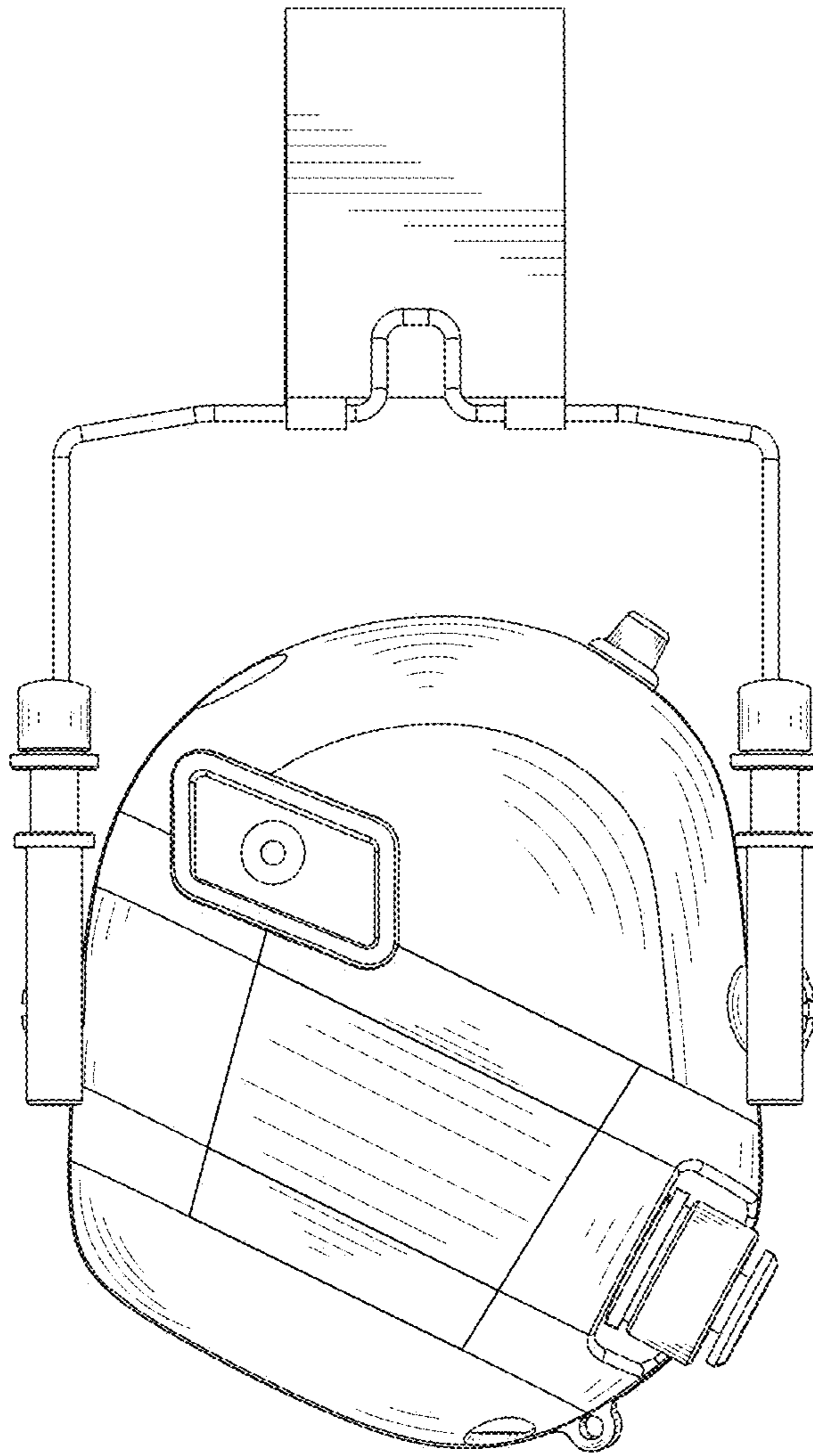


FIG. 6

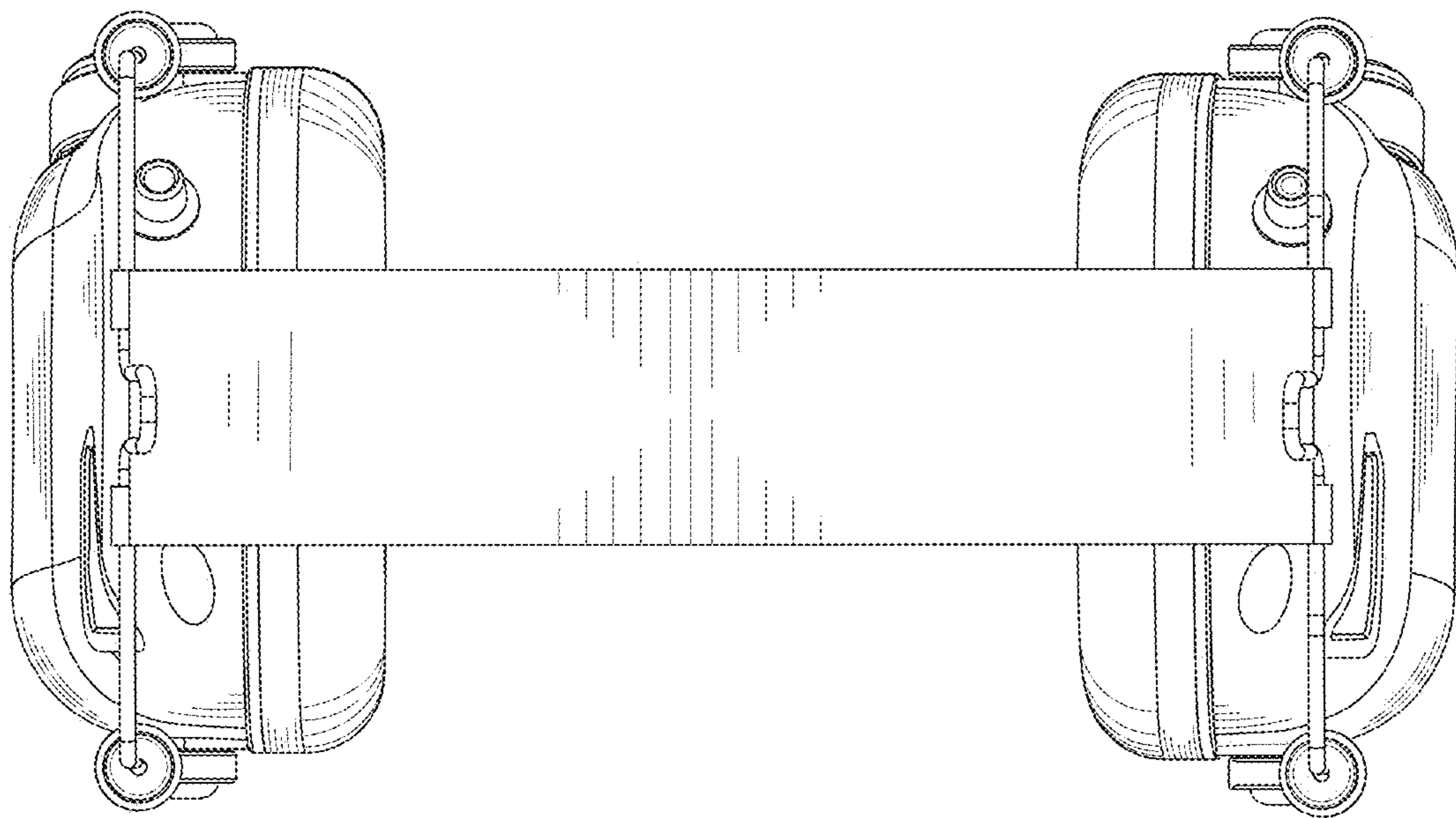


FIG. 7

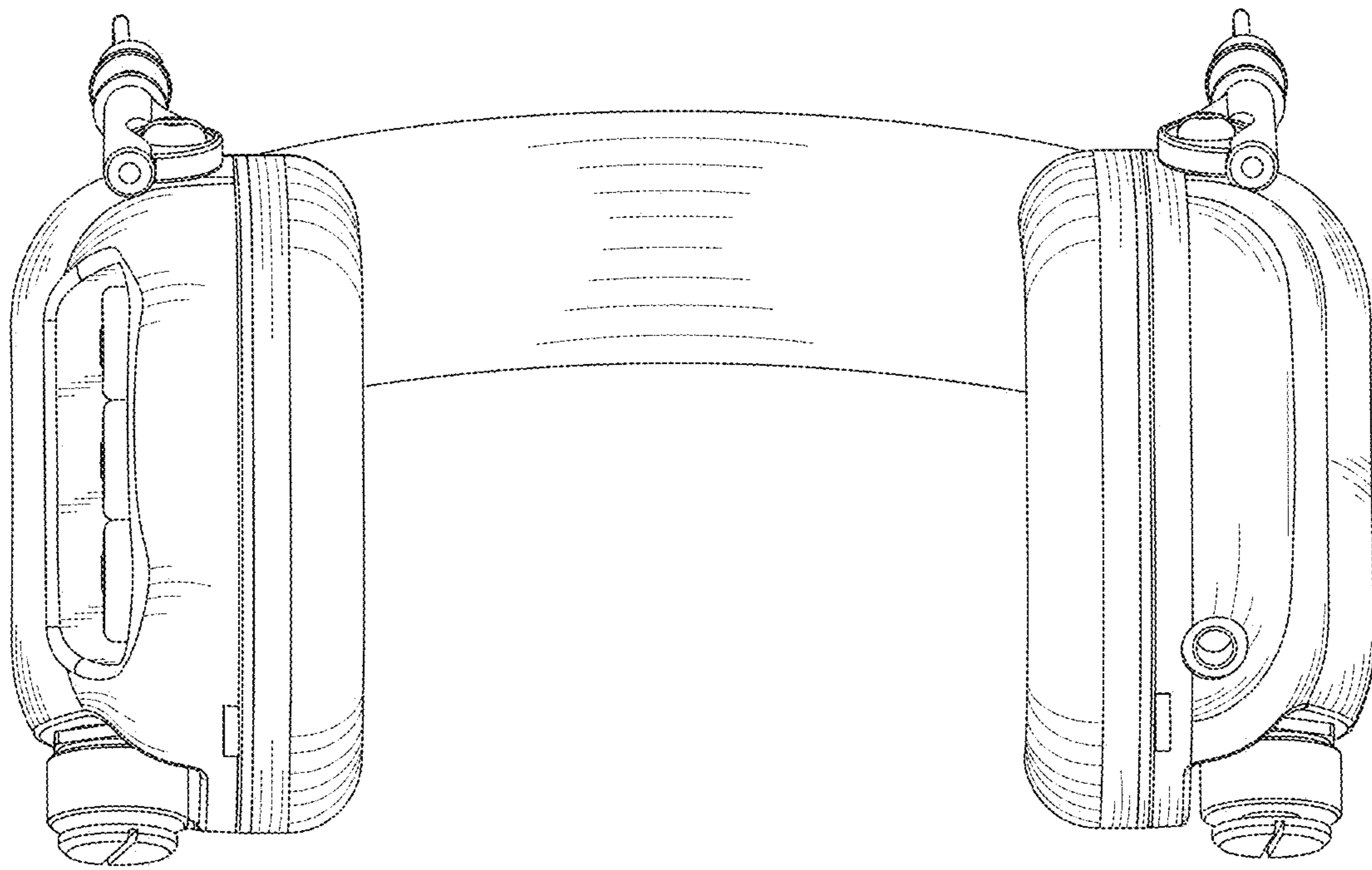


FIG. 8