



US00D941798S

(12) **United States Design Patent**
Lindell et al.

(10) **Patent No.:** **US D941,798 S**
(45) **Date of Patent:** **** Jan. 25, 2022**

(54) **HEADSET**

(71) Applicant: **3M INNOVATIVE PROPERTIES COMPANY**, St. Paul, MN (US)

(72) Inventors: **Morgan S. Lindell**, Värnamo (SE); **Ulf Claesson**, Värnamo (SE); **Robert Karlsson**, Bredaryd (SE); **Johan F. Håkansson**, Växjö (SE); **Niklas D. B. Emilsson**, Rydaholm (SE)

(73) Assignee: **3M Innovative Properties Company**, St. Paul, MN (US)

(**) Term: **15 Years**

(21) Appl. No.: **29/721,451**

(22) Filed: **Jan. 21, 2020**

(51) **LOC (13) Cl.** **14-01**

(52) **U.S. Cl.**
USPC **D14/205**; D14/206; D14/217

(58) **Field of Classification Search**
USPC D14/206, 225, 228, 205, 188, 192, 372, D14/218, 215, 216, 214, 137, 226, 217; D29/112, 122; 2/209, 623, 866, 869, 2/891, 892, 895; D28/41, 43; 132/275, 132/273; 381/380, 381, 374, 74, 384, 381/375, 372, 378, 189; 455/90.3, 575.1, 455/569.1; 181/135

CPC H04R 25/00; H04R 25/02; H04R 1/1066; H04R 1/1016; H04R 5/033; H04R 1/105; H04R 1/008; H04R 1/1058; H04R 1/1091; H04R 1/1075; H04R 3/04; H04R 5/04; H04R 1/02; A61F 11/06

See application file for complete search history.

(56) **References Cited**

U.S. PATENT DOCUMENTS

- 1,779,806 A * 10/1930 Dunwoodie F16L 33/04
24/275
- 2,394,374 A * 2/1946 Gilman H04R 5/0335
381/378

- 2,782,423 A * 2/1957 Simon A61F 11/14
2/209
- 3,488,457 A * 1/1970 Lahti H04R 1/1008
381/371
- 3,532,225 A * 10/1970 Reed A47B 13/02
211/181.1
- 3,681,540 A * 8/1972 Thomson H04R 1/1066
381/378
- D243,359 S * 2/1977 Nevrous D11/4
- D244,037 S * 4/1977 Warner D14/205
- 4,173,715 A * 11/1979 Gosman H04R 1/1058
181/129

(Continued)

FOREIGN PATENT DOCUMENTS

- CN 305649934 * 3/2020
- CN 306373763 * 3/2021

(Continued)

Primary Examiner — Paula Allen Greene

(74) *Attorney, Agent, or Firm* — Katherine M. Scholz

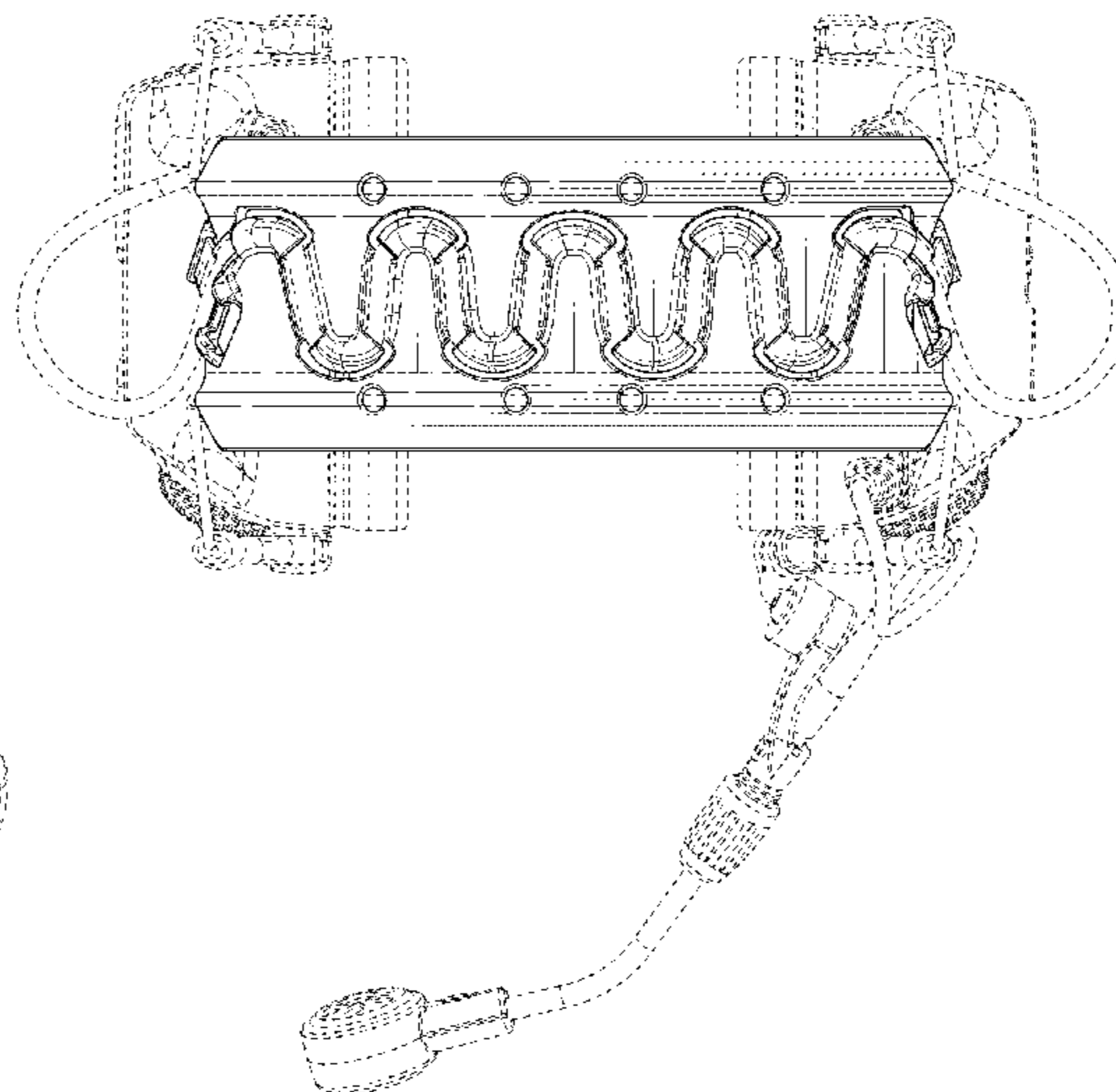
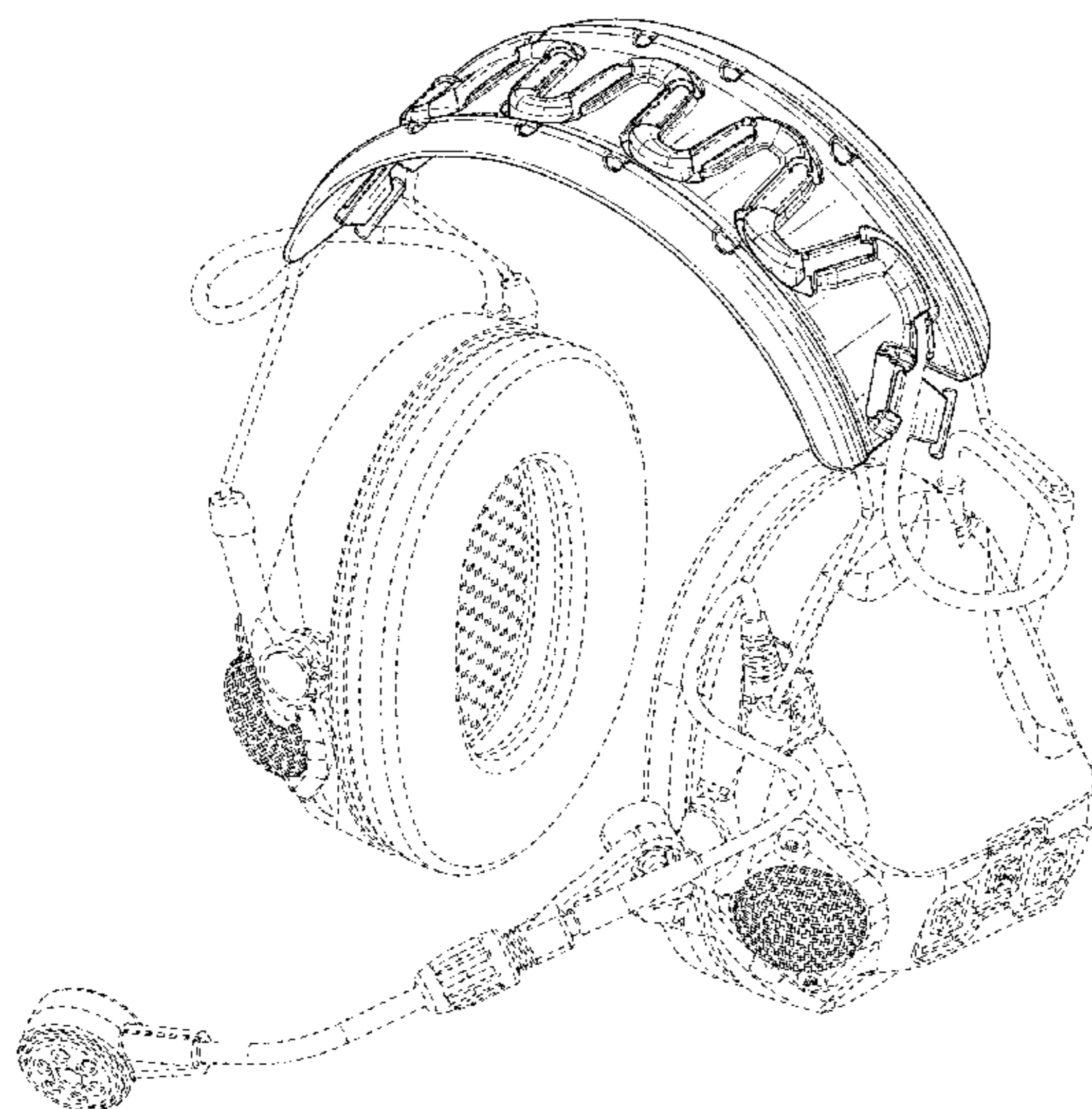
(57) **CLAIM**

The ornamental design for a headset, as shown and described.

DESCRIPTION

FIG. 1 is a perspective view of a headset showing the new design;
 FIG. 2 is a front view thereof;
 FIG. 3 is a rear view thereof;
 FIG. 4 is a right side view thereof;
 FIG. 5 is a left side view thereof;
 FIG. 6 is a top view thereof; and,
 FIG. 7 is a bottom view thereof.
 In the drawing the claimed design is defined by the shaded surfaces, the broken lines depict unclaimed environment that forms no part of the claimed design.

1 Claim, 7 Drawing Sheets



(56)

References Cited

U.S. PATENT DOCUMENTS

4,243,851 A * 1/1981 Forney H04R 5/0335
381/378
D298,670 S * 11/1988 Palmaer D14/205
4,843,686 A * 7/1989 Bartholomew F16L 33/12
24/19
D315,561 S * 3/1991 Miller D14/192
D317,767 S * 6/1991 Banks D14/205
D324,434 S * 3/1992 Walker D28/41
5,185,807 A * 2/1993 Bergin H04R 1/1066
181/128
D346,380 S * 4/1994 Fitzgerald D14/138 R
5,406,037 A * 4/1995 Nageno H04R 5/0335
181/129
5,564,445 A * 10/1996 Query A45D 2/00
132/212
5,574,795 A * 11/1996 Seki H04R 5/0335
381/370
5,722,437 A * 3/1998 Chang A45D 8/24
132/275
D403,126 S * 12/1998 Scanlon D29/112
D403,128 S * 12/1998 Scanlon D29/122
5,878,755 A * 3/1999 Crabtree A45D 8/34
132/273
D411,200 S * 6/1999 Almqvist D14/192
D413,413 S * 8/1999 Dillon D29/112
6,006,115 A * 12/1999 Wingate H04M 1/6033
379/110.01
D432,526 S * 10/2000 Claesson D14/228
D434,191 S * 11/2000 Emilsson D29/112
D445,240 S * 7/2001 Persson D2/866
D464,469 S * 10/2002 Dix D29/112
6,754,361 B1 * 6/2004 Hall H04R 1/1025
379/430
D497,608 S * 10/2004 Birgersson D14/205
D499,216 S * 11/2004 Haglund A61F 11/14
D29/122
D506,577 S * 6/2005 Emilsson D29/122
D509,323 S * 9/2005 Emilsson D29/112
6,961,440 B1 * 11/2005 Schlaegel H04R 1/1016
181/135
7,139,405 B1 * 11/2006 Grattan H04R 1/10
381/375
7,213,916 B1 * 5/2007 Pettett A61F 11/12
351/123
7,457,428 B2 * 11/2008 Vaudrey A61F 11/12
381/372
7,507,908 B1 * 3/2009 Wu H01B 7/06
174/110 R
D615,528 S * 5/2010 Kuo D14/206
7,778,435 B2 * 8/2010 Smith H04R 1/10
381/380
7,831,058 B2 * 11/2010 Chen H04R 1/1075
381/361
D633,894 S * 3/2011 Meyer D14/205
D641,727 S * 7/2011 Krauss D14/206
D648,706 S * 11/2011 Gresko D14/205
D650,356 S * 12/2011 Alden D14/205

8,075,153 B2 * 12/2011 Werner F21V 33/0064
362/105
D658,630 S * 5/2012 Gondo D14/205
D661,685 S * 6/2012 Lee D14/205
D677,241 S * 3/2013 Kelly D14/205
D687,185 S * 7/2013 Madden D28/41
D713,375 S * 9/2014 Dedinas D14/206
D718,272 S * 11/2014 Clayton D14/205
D733,676 S * 7/2015 Ely D14/205
D735,419 S * 7/2015 Rose D29/112
D736,475 S * 8/2015 Fletcher D29/112
D736,741 S * 8/2015 Katz D14/205
D744,171 S * 11/2015 Rose D29/112
D747,557 S * 1/2016 Bonney D29/112
D752,816 S * 3/2016 Fletcher D29/112
D753,884 S * 4/2016 Bonney D29/112
D764,717 S * 8/2016 Fletcher D29/112
D766,208 S * 9/2016 Paterson D14/205
D766,520 S * 9/2016 Fletcher D29/112
D788,071 S * 5/2017 Logan D14/205
D789,615 S * 6/2017 Pratley D29/112
D805,697 S * 12/2017 Pratley D29/112
D807,584 S * 1/2018 Fletcher D29/112
D821,653 S * 6/2018 Pratley D29/112
D834,260 S * 11/2018 Garcia Mansilla D29/112
D848,396 S * 5/2019 Wilson A61F 11/14
D14/205
D848,679 S * 5/2019 Wilson D29/112
D851,839 S * 6/2019 Scanlon D29/112
D864,481 S * 10/2019 Kohad D28/41
D864,901 S * 10/2019 Barber D14/205
D868,732 S * 12/2019 Jaspers D14/205
10,674,245 B2 * 6/2020 Chih-Hsueh H04R 1/1008
D897,608 S * 9/2020 Wilson D29/122
D902,496 S * 11/2020 Bui D29/112
D926,151 S * 7/2021 Zhong D14/206
2002/0080987 A1 * 6/2002 Almqvist A61F 11/14
381/371
2002/0096391 A1 * 7/2002 Smith H04R 1/345
181/135
2002/0181729 A1 * 12/2002 Smith H04R 1/1075
381/381
2008/0069391 A1 * 3/2008 Steyn H04R 1/1083
381/371
2013/0130540 A1 * 5/2013 Oman H01B 7/0045
439/527
2017/0019724 A1 * 1/2017 Cochran H04R 1/1008
2018/0014973 A1 * 1/2018 Echeverri H04R 5/0335
2018/0054667 A1 * 2/2018 Yamkovoy H04W 4/80
2019/0075382 A1 * 3/2019 Schrader H04M 1/6058
2019/0200125 A1 * 6/2019 Hilding H04R 3/04
2019/0273998 A1 * 9/2019 M. H03G 3/3005
2020/0030151 A1 * 1/2020 Hemberg H04R 1/1083

FOREIGN PATENT DOCUMENTS

CN 306670713 * 7/2021
EM 008251870-0001 * 11/2020
JP D1675610 * 12/2020

* cited by examiner

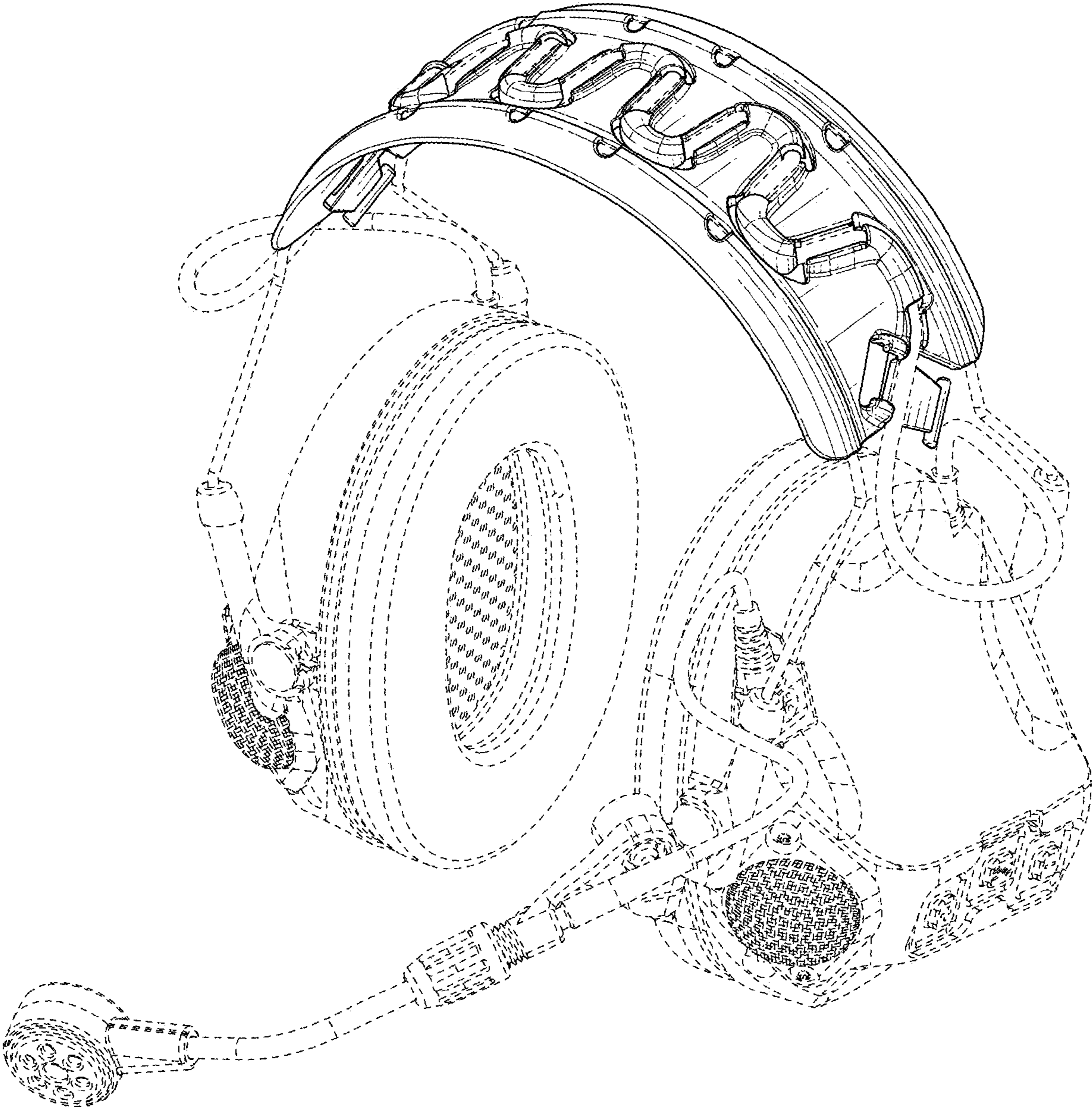


FIG. 1

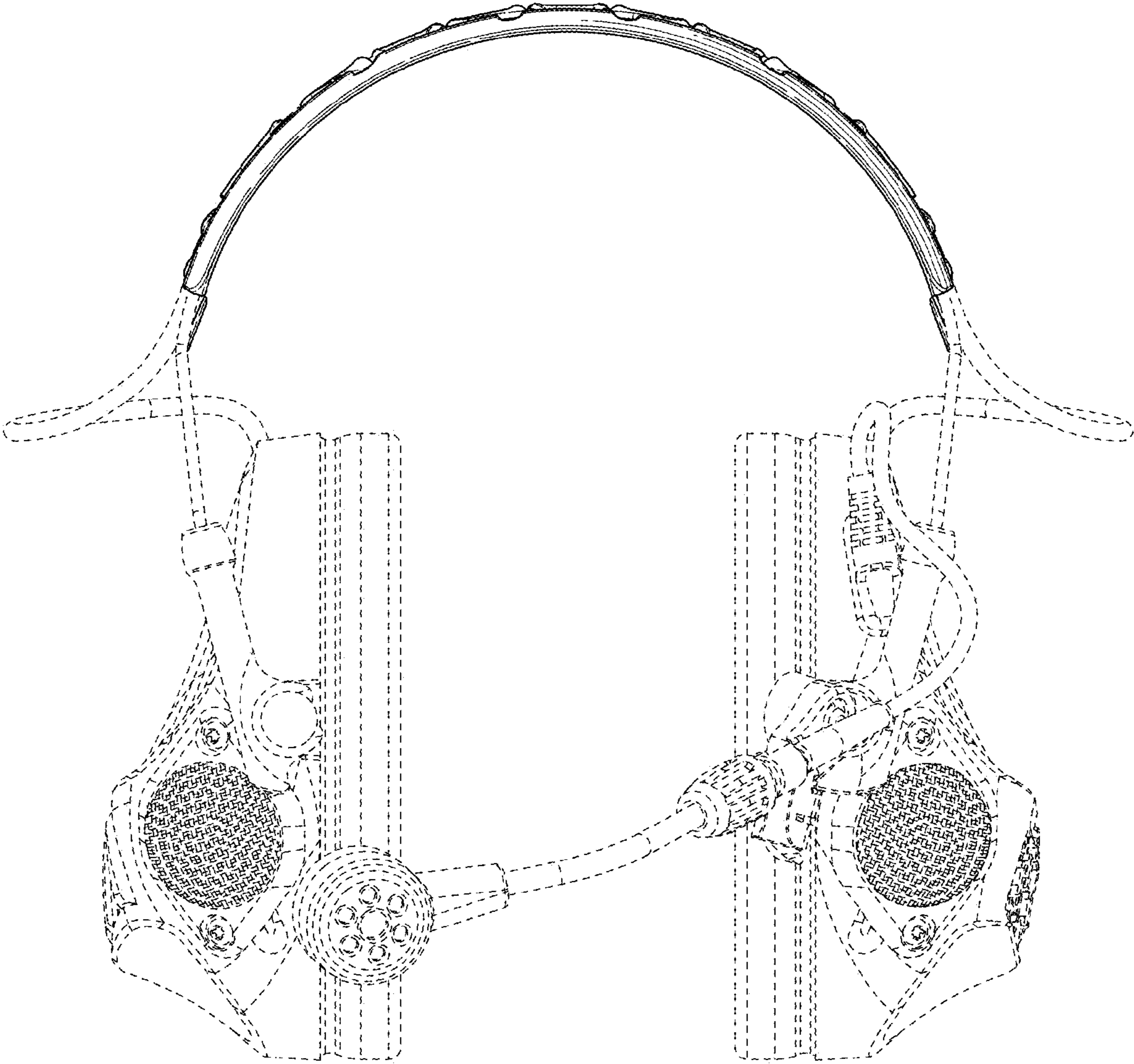


FIG. 2

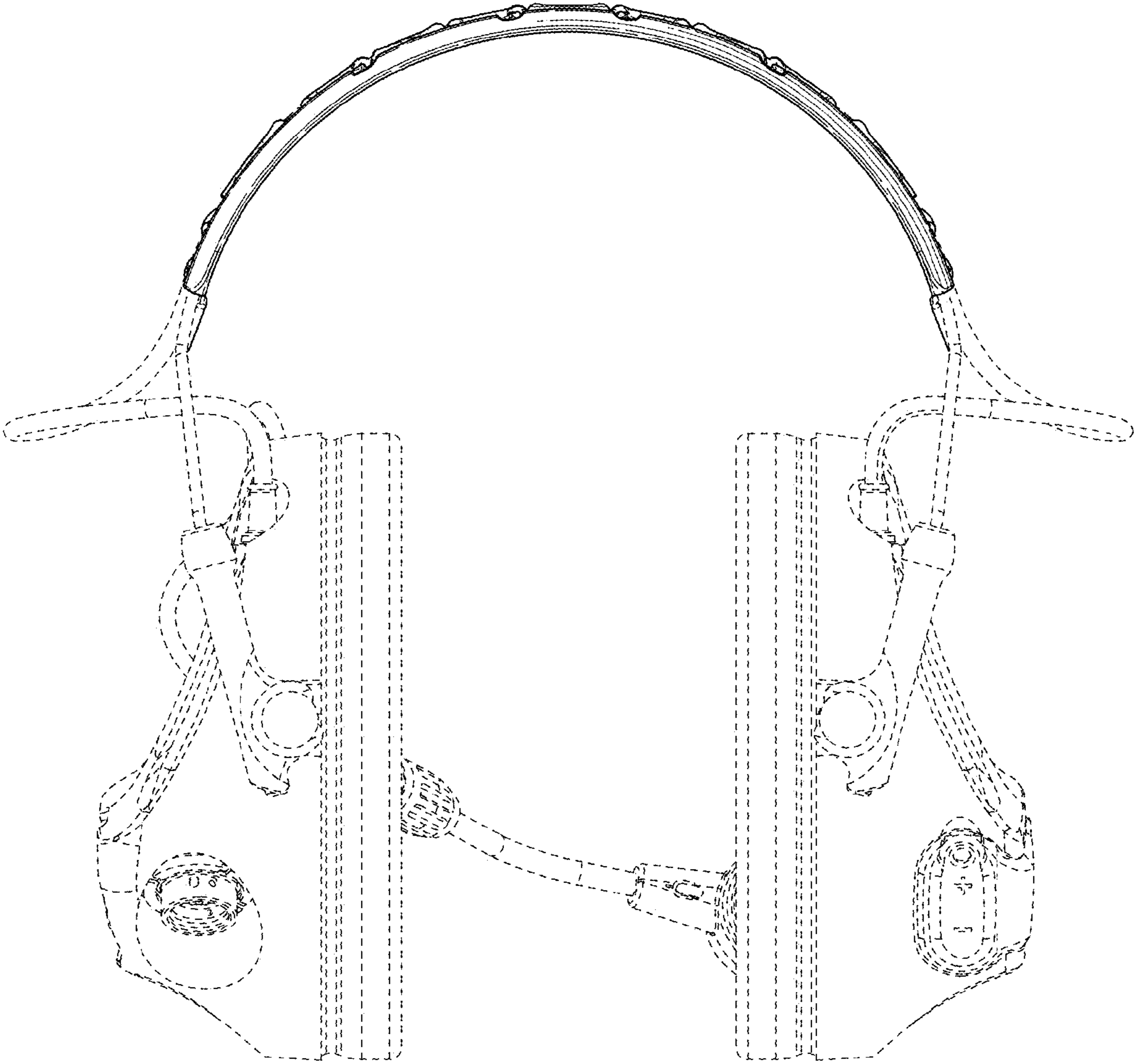


FIG. 3

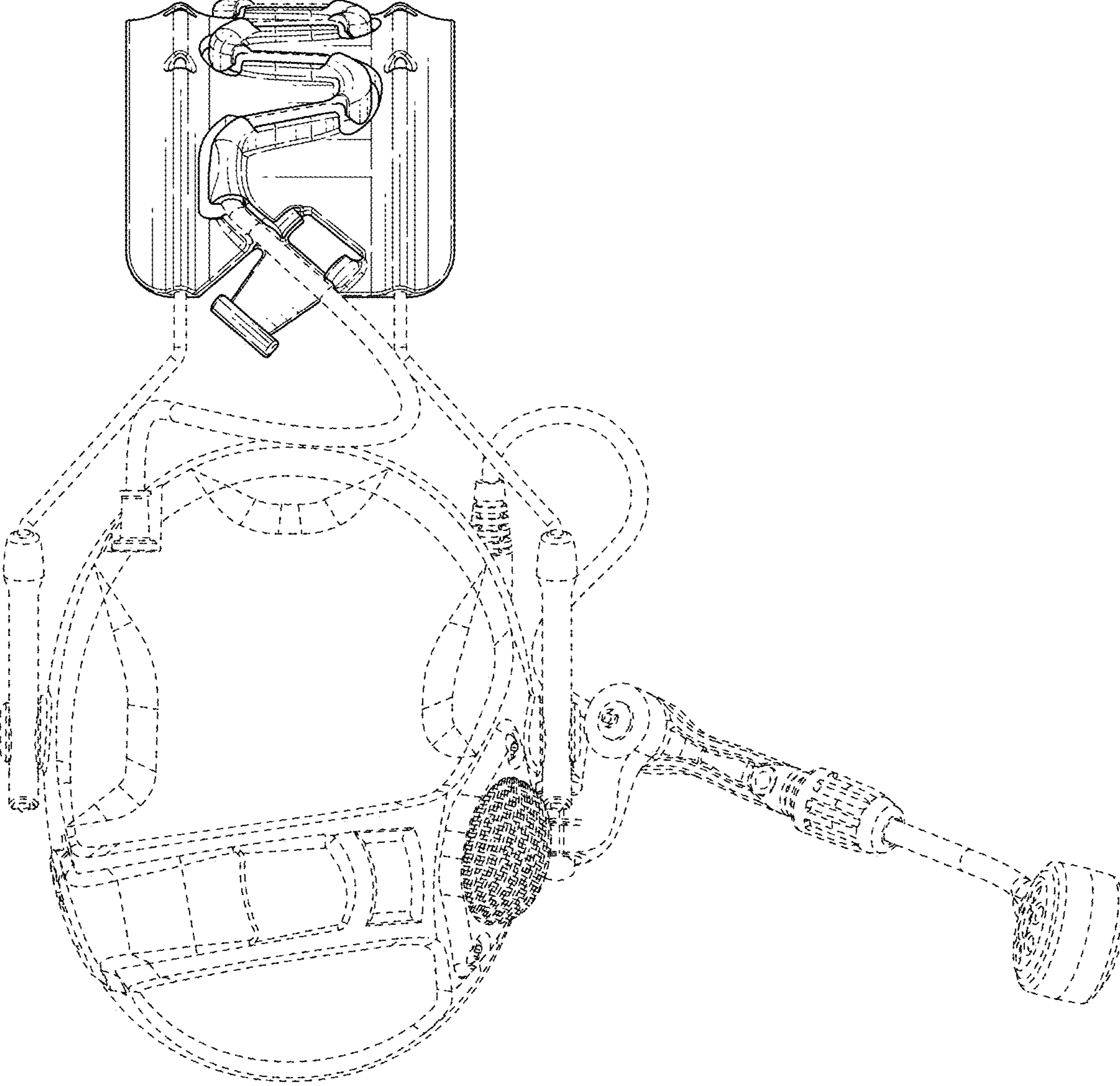


FIG. 4

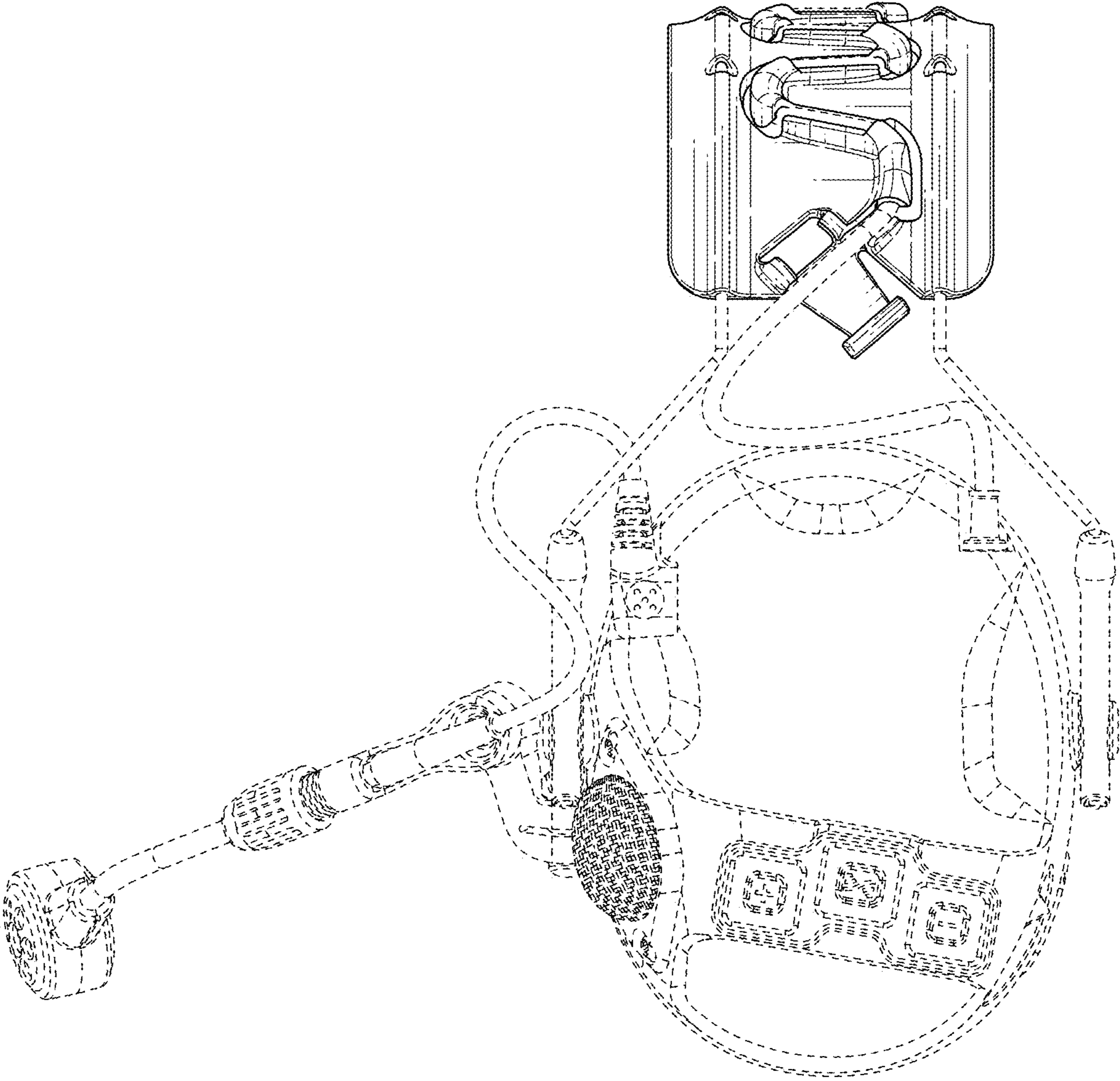


FIG. 5

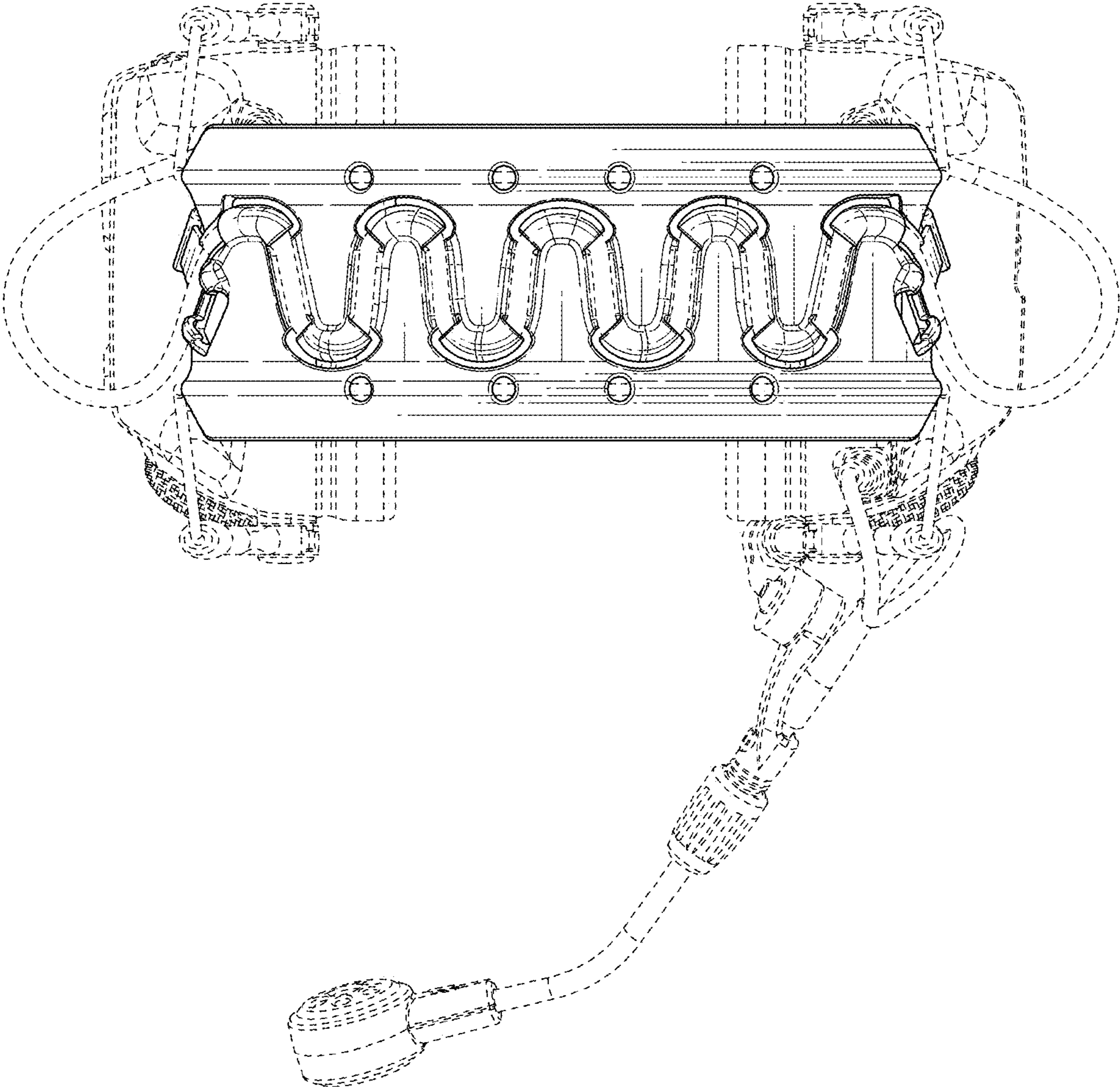


FIG. 6

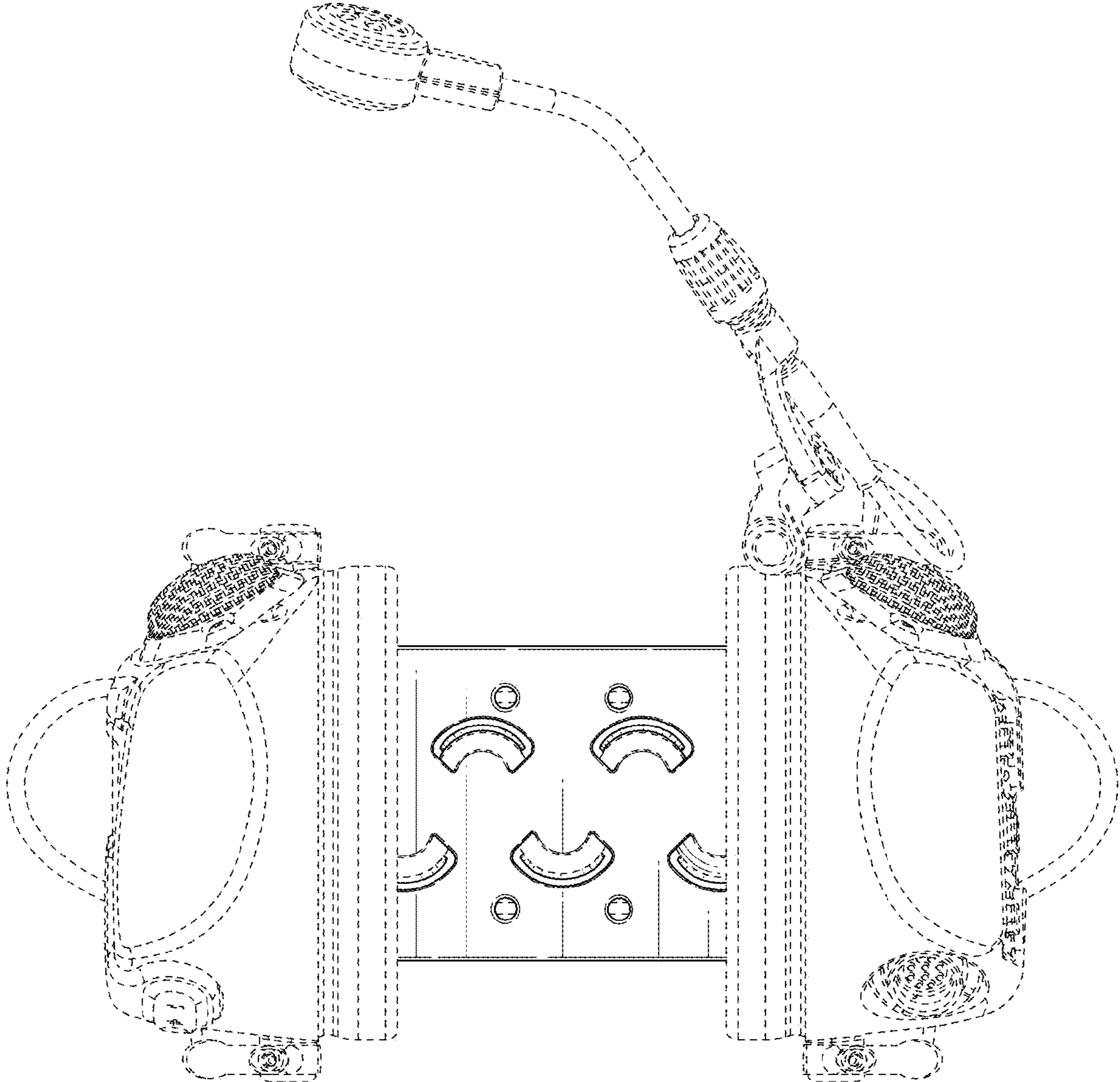


FIG. 7