



US00D941797S

(12) **United States Design Patent**  
**Wu**

(10) **Patent No.:** **US D941,797 S**  
(45) **Date of Patent:** **\*\* Jan. 25, 2022**

(54) **RECORD PLAYER**

(71) Applicant: **Xingquan Wu**, Maoming (CN)

(72) Inventor: **Xingquan Wu**, Maoming (CN)

(\*\*) Term: **15 Years**

(21) Appl. No.: **29/764,991**

(22) Filed: **Jan. 5, 2021**

(51) **LOC (13) Cl.** ..... **14-01**

(52) **U.S. Cl.**  
USPC ..... **D14/202**

(58) **Field of Classification Search**  
USPC ..... D14/199–203, 261, 262  
CPC ..... G11B 23/00; G11B 19/16; G11B 19/2009;  
G11B 17/16  
See application file for complete search history.

(56) **References Cited**

**U.S. PATENT DOCUMENTS**

2,556,421	A *	6/1951	Gee, Jr.	.....	G11B 33/027 369/78
2,955,826	A *	10/1960	Vistain, Jr.	.....	G11B 17/02 D14/199
3,268,229	A *	8/1966	Rogerl	.....	G11B 33/02 D14/201
3,549,224	A *	12/1970	Verni	.....	A47B 81/06 312/8.14
D226,452	S *	3/1973	Yazawa	.....	D14/202
D238,394	S *	1/1976	Akazawa	.....	D14/202
D241,574	S *	9/1976	Mukai et al.	.....	D14/202
D247,488	S *	3/1978	Ohtomo	.....	D14/202
4,085,940	A *	4/1978	Hoshimi	.....	G11B 3/095 369/225
4,098,512	A *	7/1978	Takizawa	.....	G11B 3/095 369/216
D252,330	S	7/1979	Leech		
D253,290	S	10/1979	Christie		
4,365,326	A *	12/1982	Ohsawa	.....	G11B 19/22 369/268
D810,716	S *	2/2018	Yang	.....	D14/203

D824,357	S *	7/2018	Ding	.....	D14/202
D886,763	S *	6/2020	Shen	.....	D14/201
D887,386	S *	6/2020	Shi	.....	D14/202
D894,150	S *	8/2020	Lieblein	.....	D14/202
D894,864	S *	9/2020	Peng	.....	D14/203
D898,698	S *	10/2020	Peng	.....	D14/202
D901,430	S *	11/2020	Peng	.....	D14/202
D902,172	S *	11/2020	Lieblein	.....	D14/202
D902,173	S *	11/2020	Lieblein	.....	D14/202

(Continued)

**FOREIGN PATENT DOCUMENTS**

CN 306203647 \* 12/2020

*Primary Examiner* — Wendy L Arminio

(74) *Attorney, Agent, or Firm* — W&KIP

(57) **CLAIM**

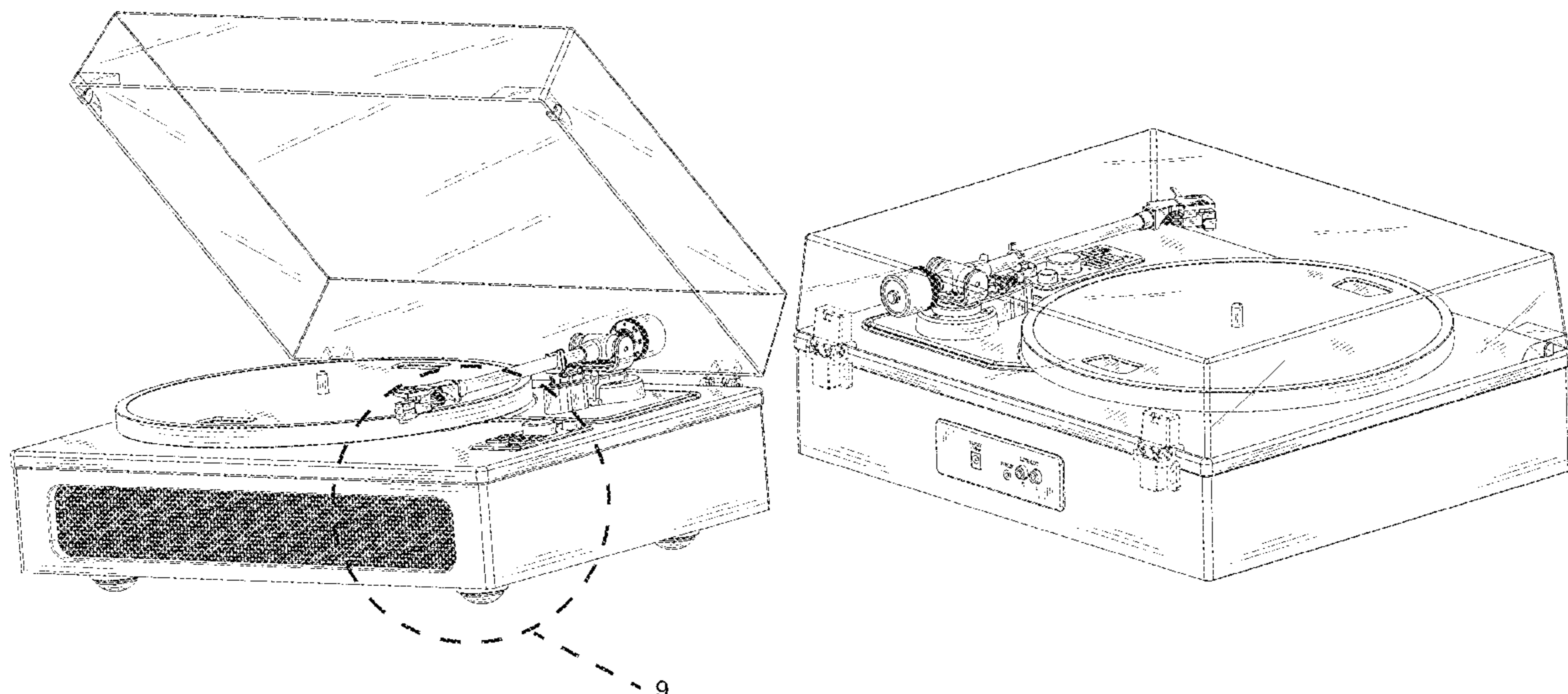
The ornamental design for a record player, as shown and described.

**DESCRIPTION**

FIG. 1 is a perspective view of a record player showing my new design in an open configuration; FIG. 2 is a front view thereof; FIG. 3 is a rear view thereof; FIG. 4 is a left side view thereof; FIG. 5 is a right side view thereof; FIG. 6 is a top plan view thereof; FIG. 7 is a bottom plan view thereof; FIG. 8 is a perspective view of the record player of FIG. 1 showing the design in a closed configuration; and, FIG. 9 is an enlarged detail view of area 9 circumscribed within FIG. 1.

The broken lines encircling the area of the detail in FIG. 1 and surrounding FIG. 9 denote the boundary of the enlarged detail view and form no part of the claimed design. All other broken lines illustrate portions of the record player that form no part of the claimed design.

**1 Claim, 9 Drawing Sheets**



(56)

**References Cited**

U.S. PATENT DOCUMENTS

D904,333 S \* 12/2020 Wang ..... D14/202  
D904,334 S 12/2020 Cao  
D908,659 S \* 1/2021 Yang ..... D14/202  
2019/0362742 A1\* 11/2019 Yang ..... G11B 3/00

\* cited by examiner

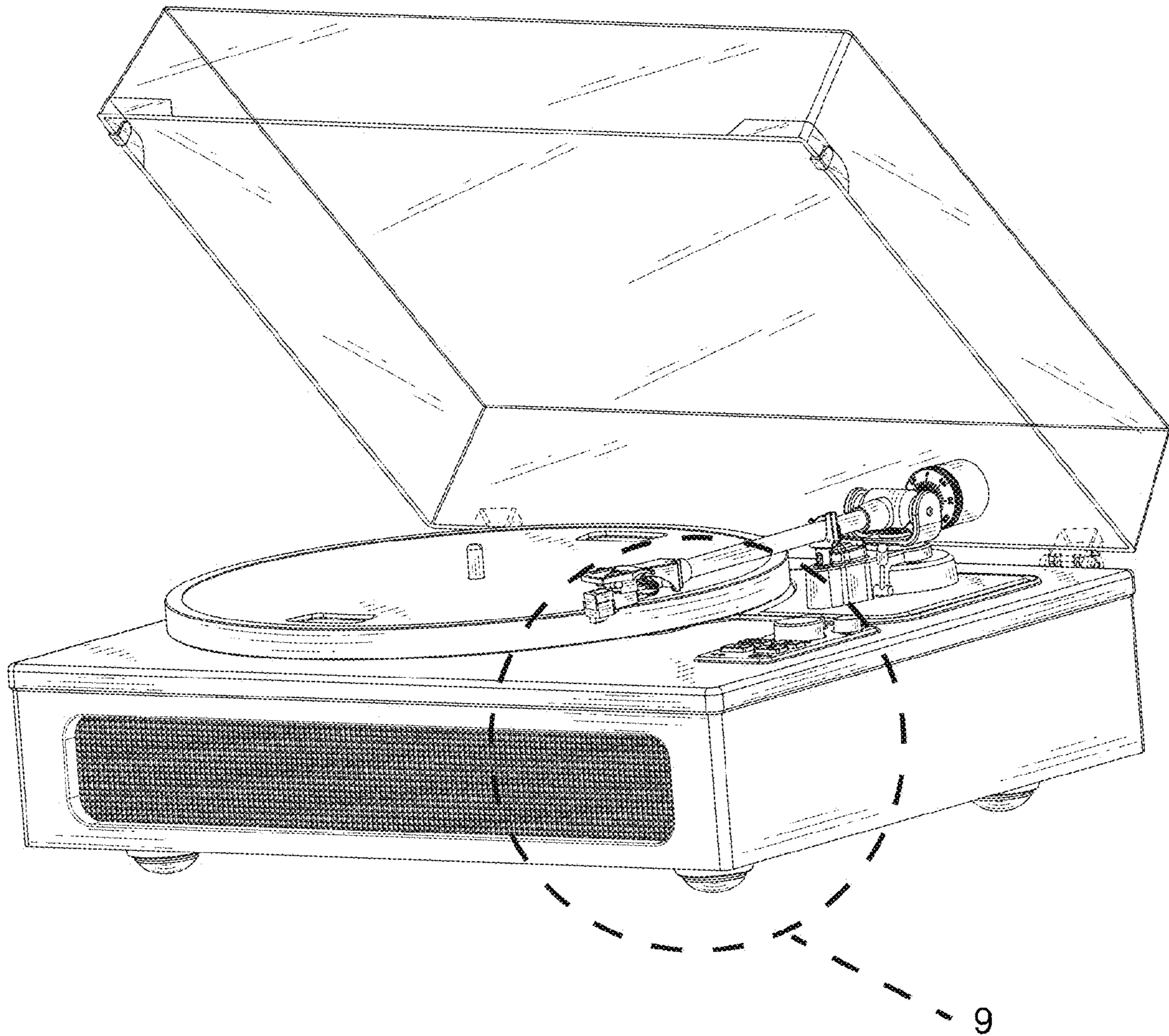


FIG. 1

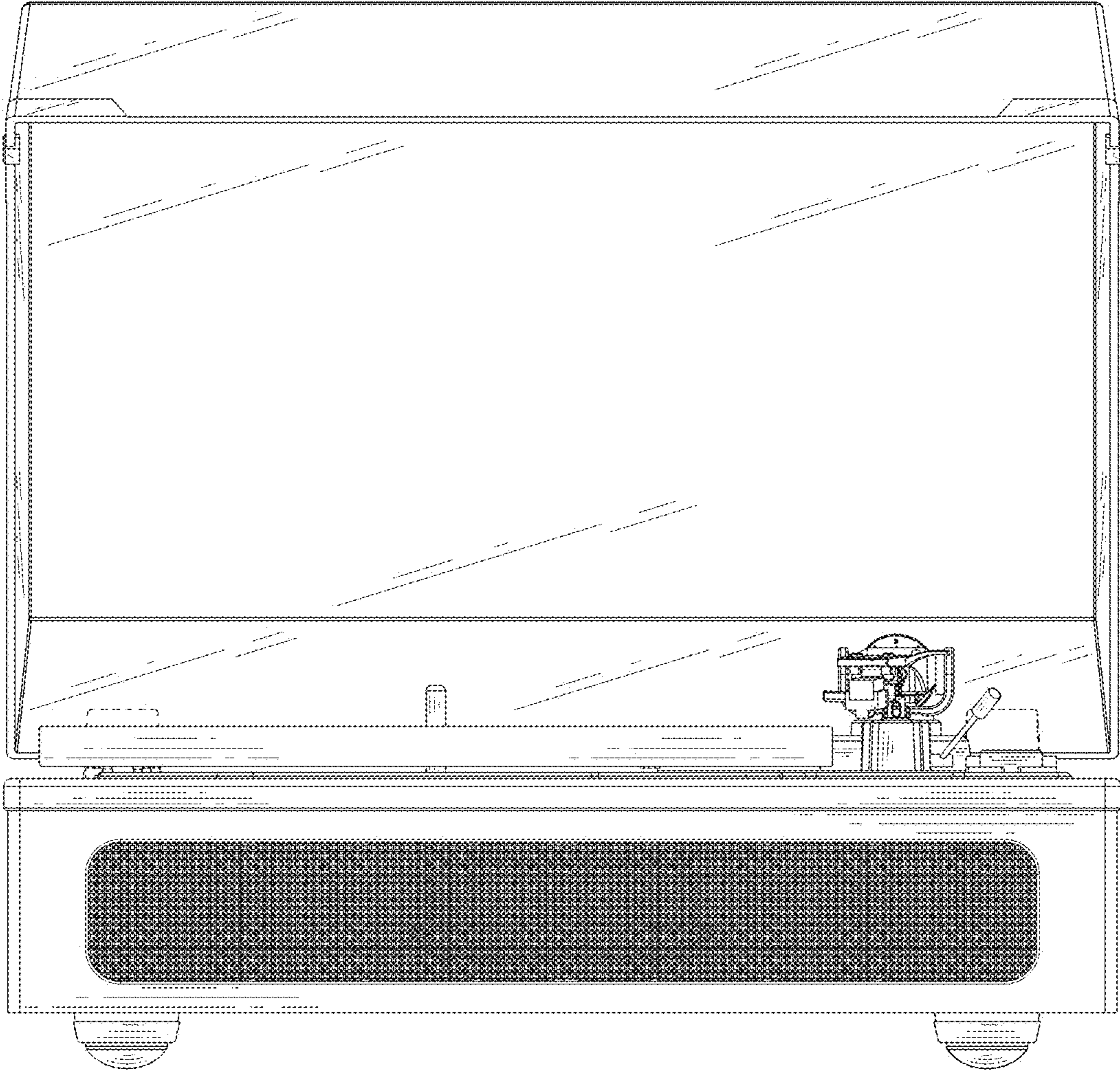


FIG. 2

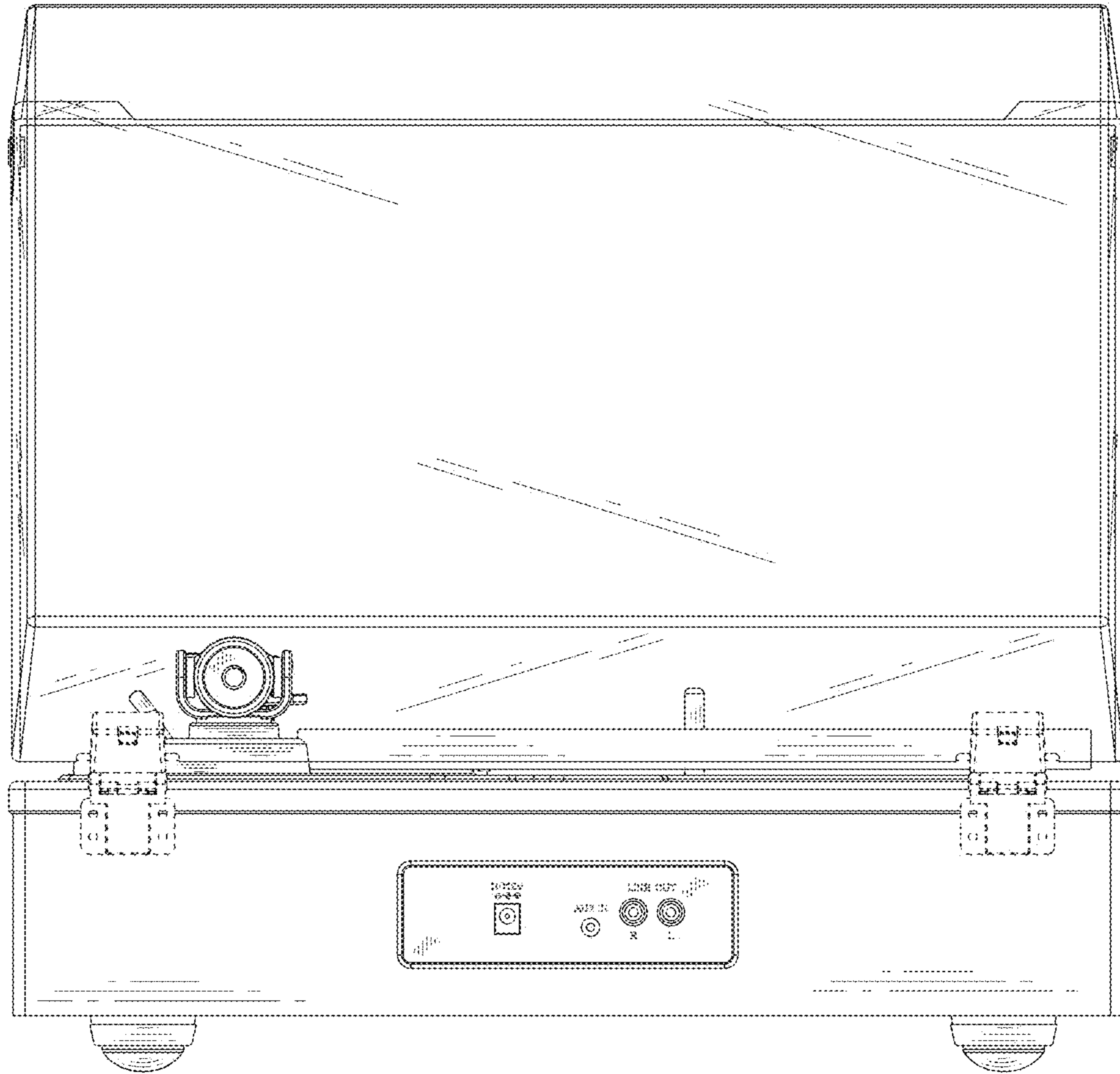


FIG. 3

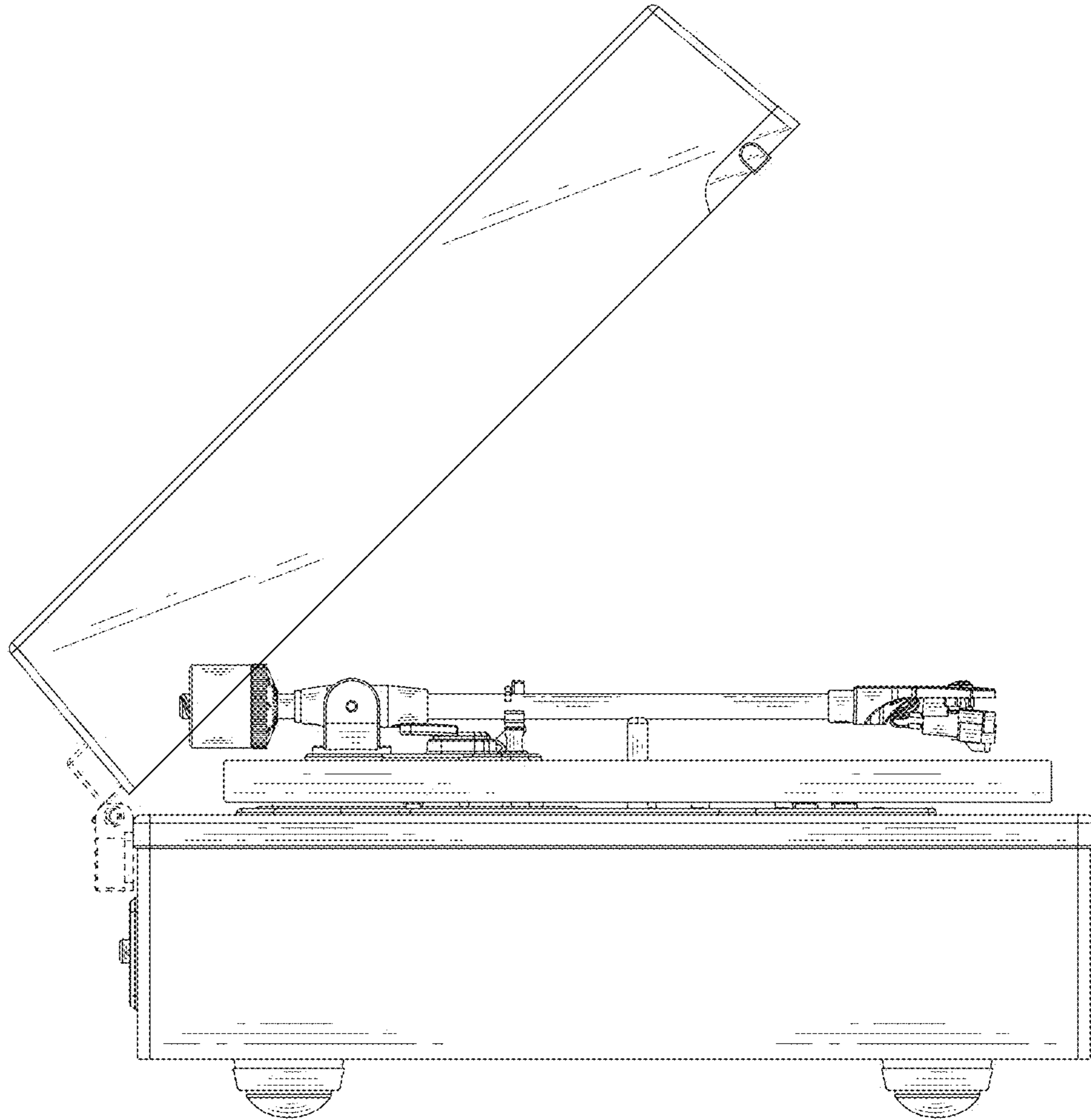


FIG. 4

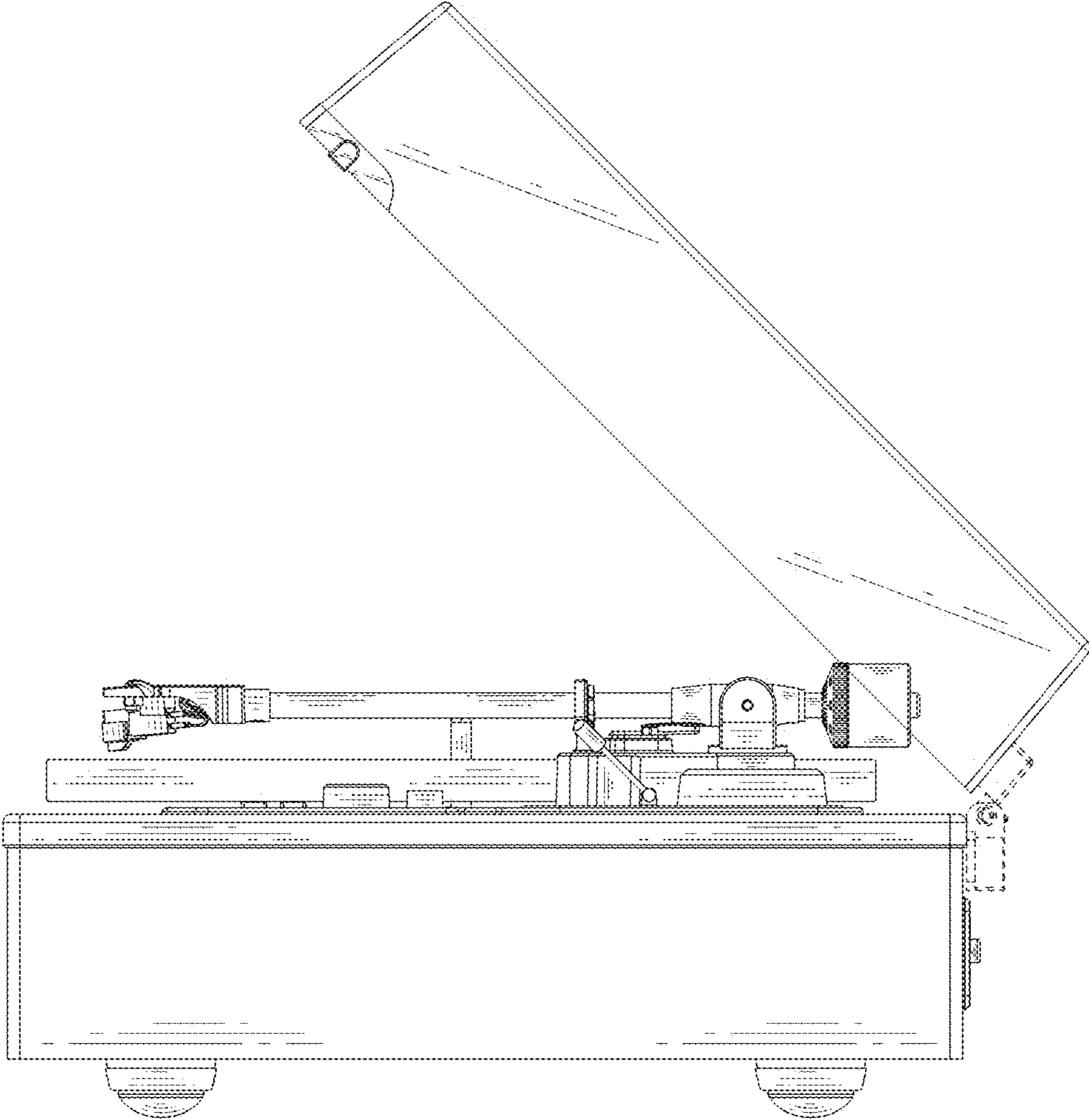


FIG. 5

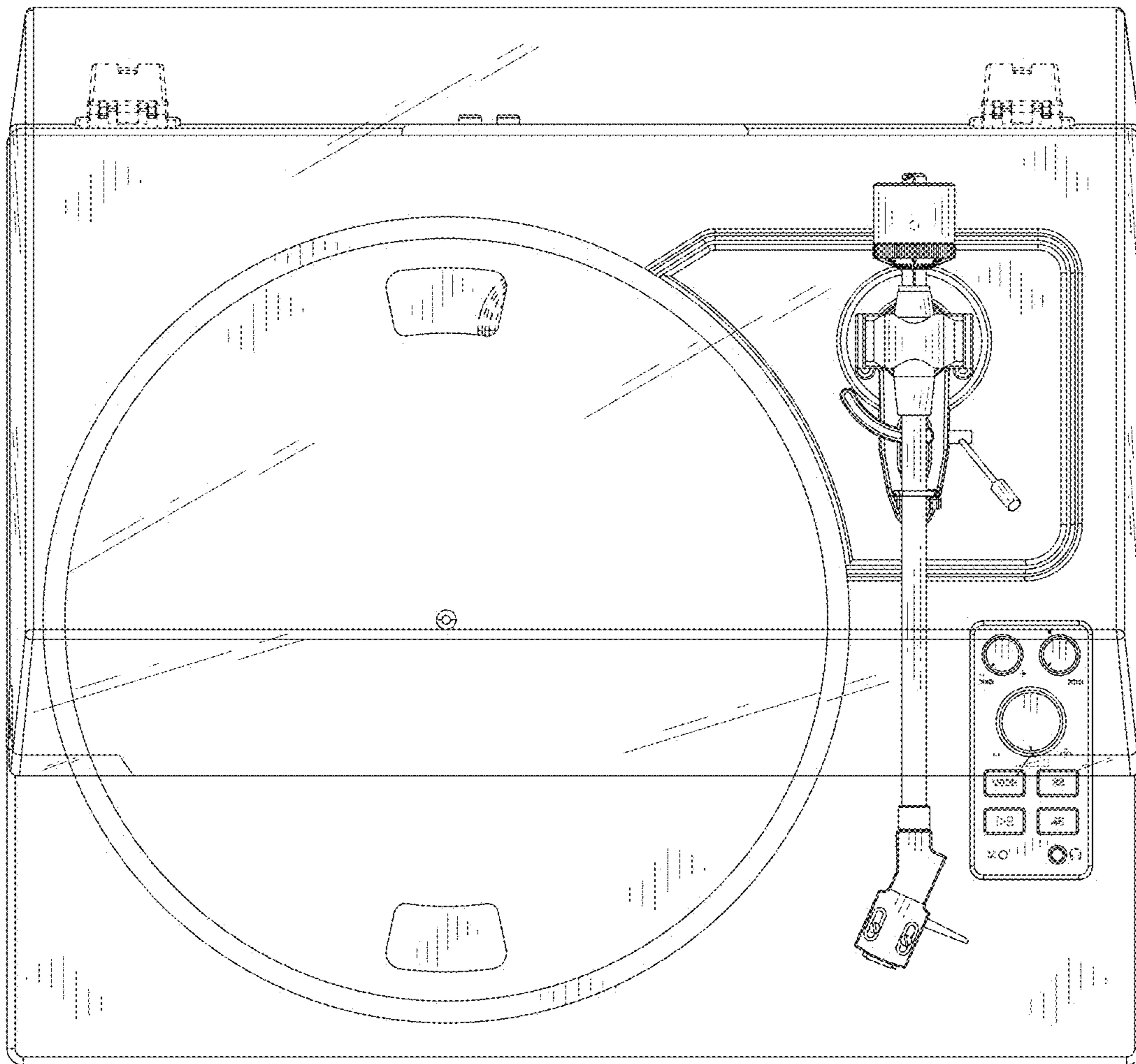


FIG. 6



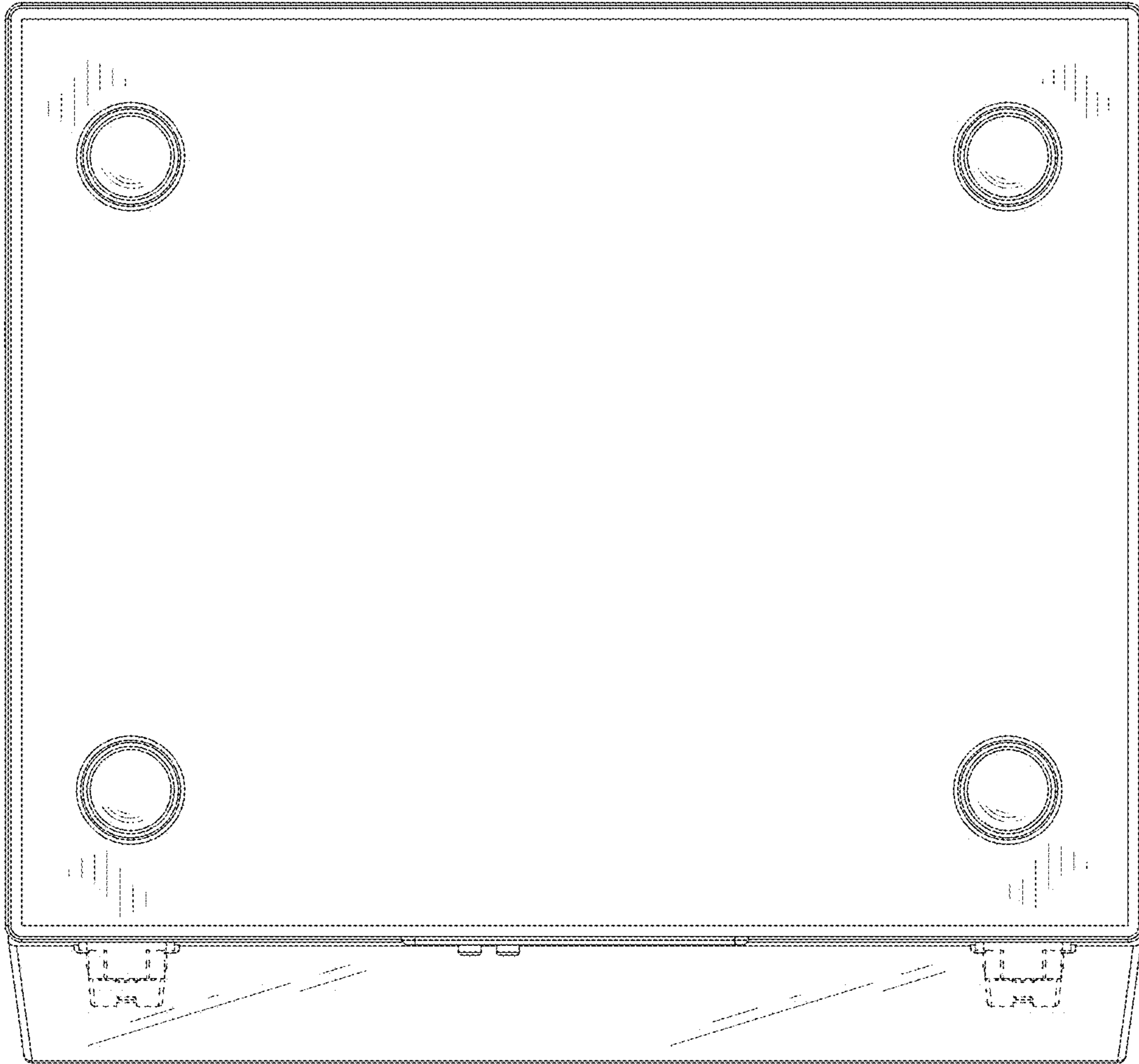


FIG. 7

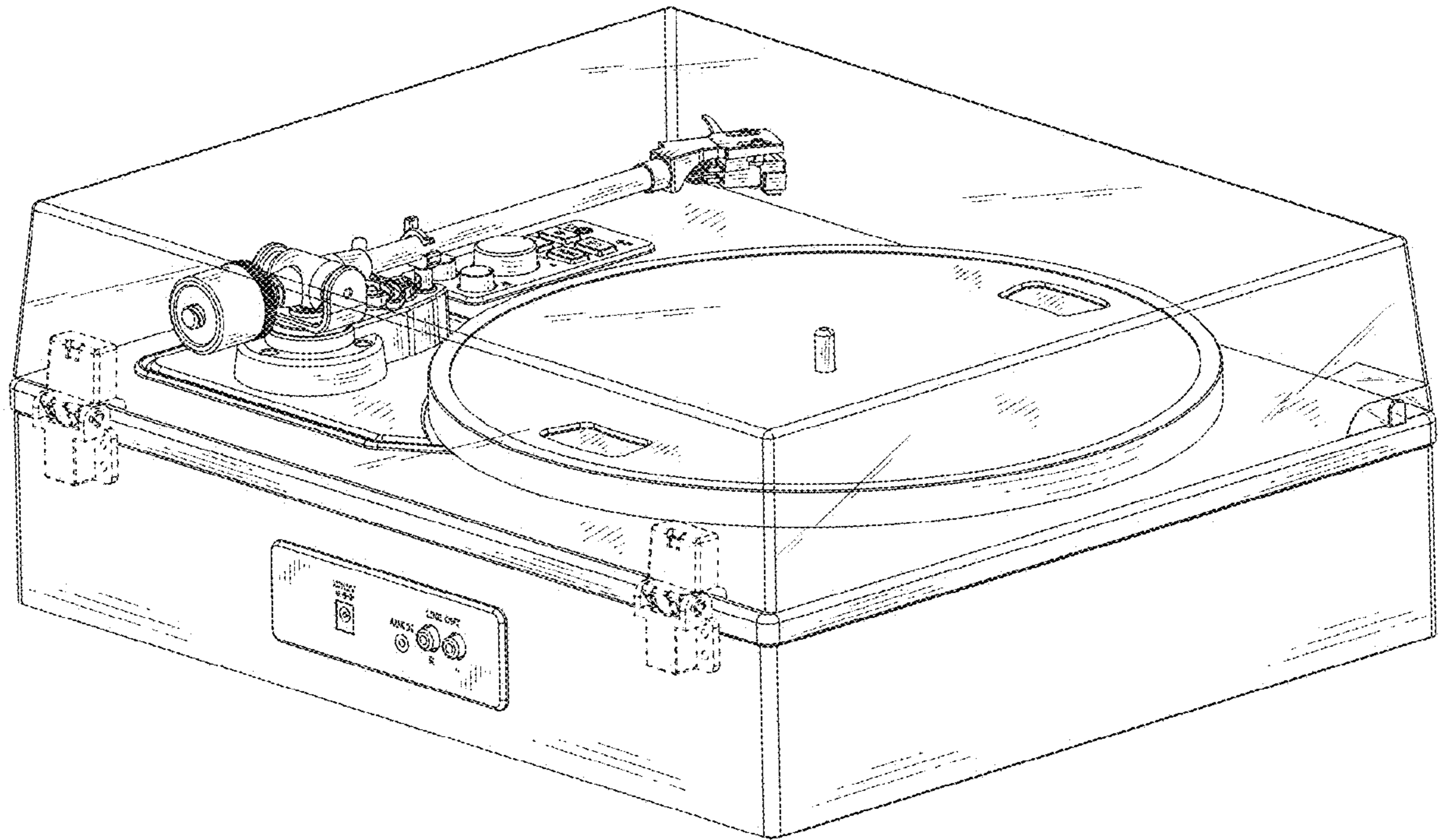


FIG. 8

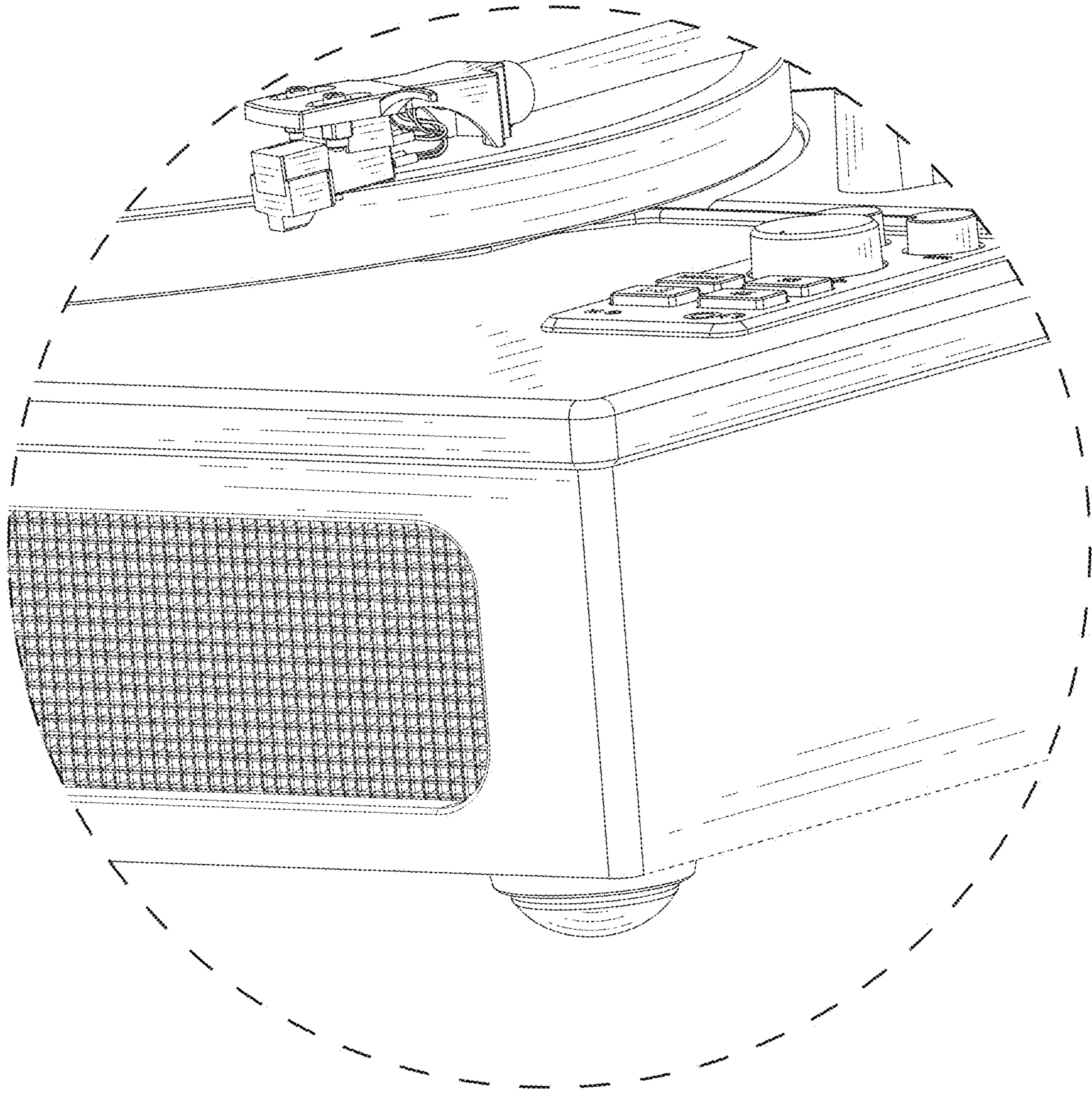


FIG. 9