



US00D941791S

(12) **United States Design Patent**  
**Lee et al.**

(10) **Patent No.:** **US D941,791 S**  
(45) **Date of Patent:** **\*\* Jan. 25, 2022**

(54) **FOLDABLE MOBILE PHONE**  
(71) Applicant: **HUIZHOU TCL MOBILE COMMUNICATION CO., LTD.**,  
Huizhou (CN)

9,013,368 B1 \* 4/2015 Kim ..... G06F 3/1446  
345/1.1  
D746,285 S \* 12/2015 Okabe ..... D14/345  
D749,571 S \* 2/2016 Park ..... D14/203.4

(Continued)

(72) Inventors: **Shiuan Hung Lee**, Huizhou (CN); **Yan Zhu**, Huizhou (CN); **Yongde Xu**, Huizhou (CN); **Fuqiang Ye**, Huizhou (CN); **Luxi Zhou**, Huizhou (CN); **Jianwei Wang**, Huizhou (CN); **Tianyuan Shi**, Huizhou (CN)

*Primary Examiner* — Bridget L Eland

(73) Assignee: **HUIZHOU TCL MOBILE COMMUNICATION CO., LTD.**,  
Huizhou (CN)

(57) **CLAIM**

The ornamental design for a foldable mobile phone, as shown and described.

(\*\*) Term: **15 Years**

**DESCRIPTION**

(21) Appl. No.: **29/680,514**

(22) Filed: **Feb. 15, 2019**

(30) **Foreign Application Priority Data**

Jan. 29, 2019 (CN) ..... 201930052077.7

(51) **LOC (13) Cl.** ..... **14-03**

(52) **U.S. Cl.**  
USPC ..... **D14/138 AB**

(58) **Field of Classification Search**  
USPC .... D14/138 AB, 248, 341, 371, 374, 138 R,  
D14/138 AA, 138 G, 138 AC, 138 AD,  
D14/138 C, 247, 345

CPC ..... H04M 1/0202; H04M 1/0235; H04M  
1/0237; H04M 1/0239; H04M 1/0266;  
H04M 1/0268; H04M 1/027; H04M  
1/0295; H04M 1/02; H04M 1/0279;  
H04M 1/0283

See application file for complete search history.

(56) **References Cited**

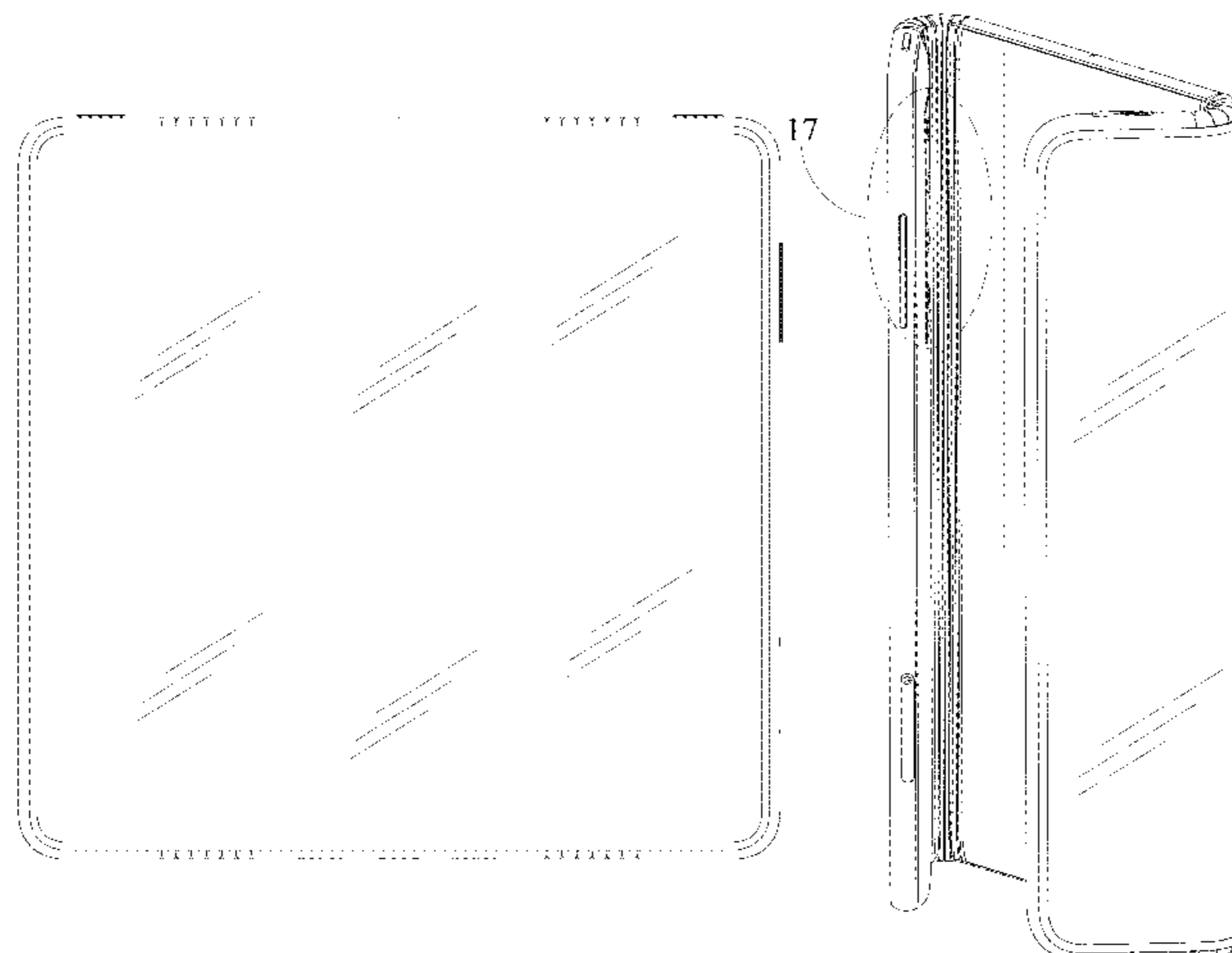
**U.S. PATENT DOCUMENTS**

D713,841 S \* 9/2014 Lim ..... D14/341  
D719,540 S \* 12/2014 Lee ..... D14/138 AB

FIG. 1 is a perspective view of a foldable mobile phone shown in an unfolded state;  
FIG. 2 is another perspective view thereof;  
FIG. 3 is a front elevational view thereof;  
FIG. 4 is a rear elevational view thereof;  
FIG. 5 is a left side elevational view thereof;  
FIG. 6 is a right side elevational view thereof;  
FIG. 7 is a top plan view thereof;  
FIG. 8 is a bottom plan view thereof;  
FIG. 9 is a front elevational view of the foldable mobile phone shown in FIG. 1 in a first folded state;  
FIG. 10 is a rear elevational view thereof;  
FIG. 11 is a left side elevational view thereof;  
FIG. 12 is a right side elevational view thereof;  
FIG. 13 is a top plan view thereof;  
FIG. 14 is a bottom plan view thereof;  
FIG. 15 is a perspective view of the foldable mobile phone shown in FIG. 1, in a seconded folded state;  
FIG. 16 is another perspective view thereof; and,  
FIG. 17 is an enlarged view of area 17 circumscribed in FIG. 15.

The shade lines in the figures show contour.  
The long dash-short dash broken lines in the drawings depict the boundaries of the enlarged views and form no part of the claimed design.

**1 Claim, 15 Drawing Sheets**



(56)

References Cited

U.S. PATENT DOCUMENTS

D767,525 S \* 9/2016 Byun ..... D14/138 AB  
 D769,209 S \* 10/2016 Byun ..... D14/138 AB  
 D772,225 S \* 11/2016 Kim ..... D14/341  
 D788,773 S \* 6/2017 Seo ..... D14/345  
 D788,774 S \* 6/2017 Seo ..... D14/345  
 D798,256 S \* 9/2017 Choo ..... D14/138 AA  
 D798,257 S \* 9/2017 Choo ..... D14/138 AB  
 9,798,359 B2 \* 10/2017 Seo ..... G06F 1/1652  
 D814,455 S \* 4/2018 Kwon ..... D14/341  
 D819,630 S \* 6/2018 Prushinskiy ..... D14/345  
 D839,267 S \* 1/2019 Park ..... D14/345  
 D875,091 S \* 2/2020 Kwon ..... D14/341  
 10,609,190 B2 \* 3/2020 Chen ..... G06F 1/1616  
 D890,114 S \* 7/2020 Fang ..... D14/138 AB  
 D892,073 S \* 8/2020 Fang ..... D14/138 AB  
 D894,144 S \* 8/2020 Lee ..... D14/138 AB  
 D894,145 S \* 8/2020 Lee ..... D14/138 AB  
 D898,693 S \* 10/2020 Lee ..... D14/138 AB  
 D901,419 S \* 11/2020 Lee ..... D14/138 AB

D901,422 S \* 11/2020 Lee ..... D14/138 AB  
 D902,167 S \* 11/2020 Lee ..... D14/138 AB  
 D902,168 S \* 11/2020 Yuan ..... D14/138 AB  
 D906,994 S \* 1/2021 Lee ..... D14/138 AB  
 D921,601 S \* 6/2021 Lee ..... D14/138 AB  
 2007/0097014 A1 \* 5/2007 Solomon ..... G06F 1/1616  
 345/1.1  
 2014/0285476 A1 \* 9/2014 Cho ..... G06F 1/1601  
 345/204  
 2015/0338888 A1 \* 11/2015 Kim ..... G06F 3/04886  
 345/156  
 2015/0378397 A1 \* 12/2015 Park ..... G06F 1/1652  
 361/679.27  
 2016/0014403 A1 \* 1/2016 Stroetmann ..... G06F 1/1641  
 348/53  
 2016/0026219 A1 \* 1/2016 Kim ..... G06F 1/1652  
 345/173  
 2016/0155967 A1 \* 6/2016 Lee ..... H01L 27/323  
 257/88  
 2016/0187935 A1 \* 6/2016 Tazbaz ..... G06F 1/1616  
 361/679.03

\* cited by examiner

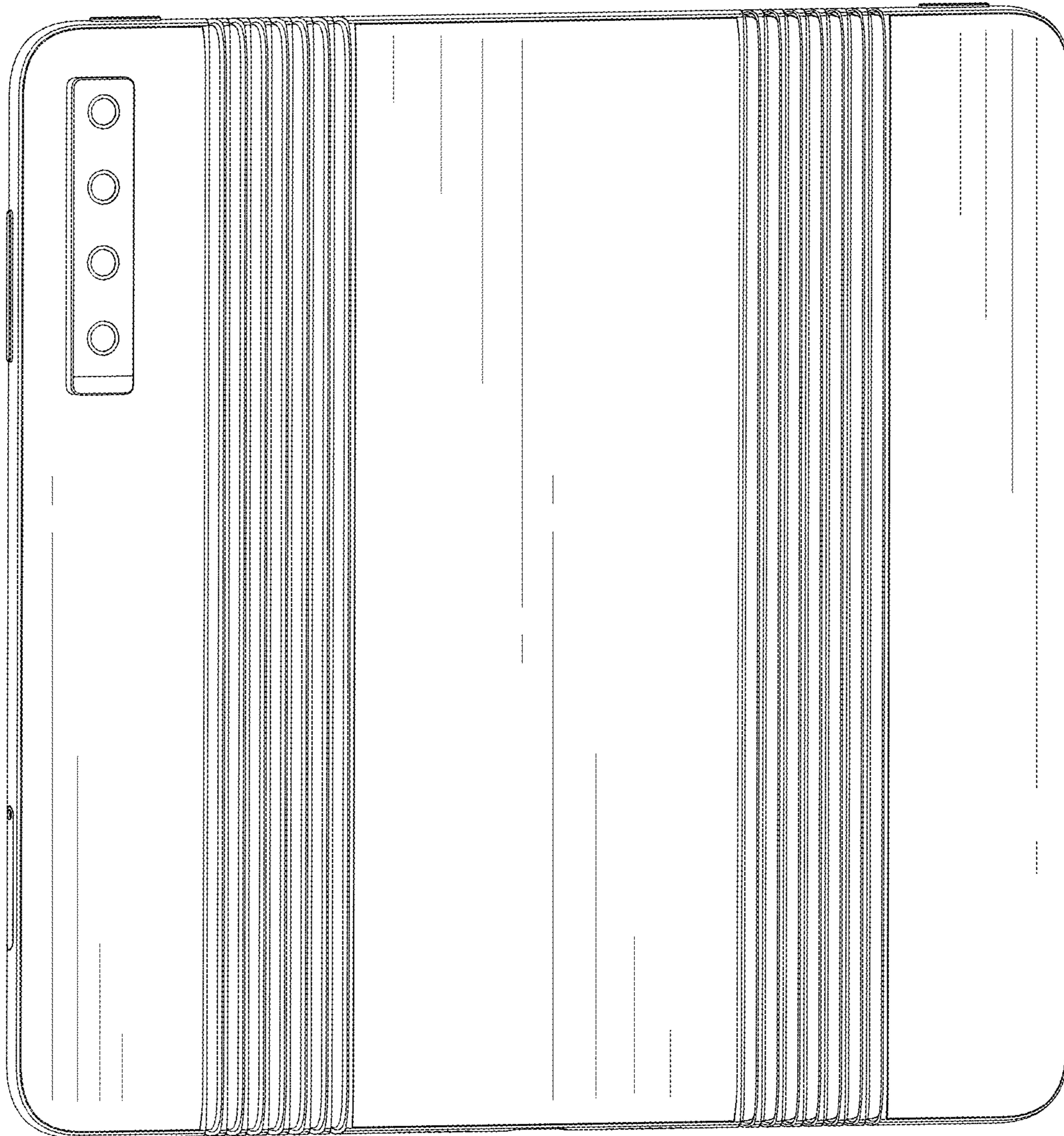


FIG. 1





FIG. 2

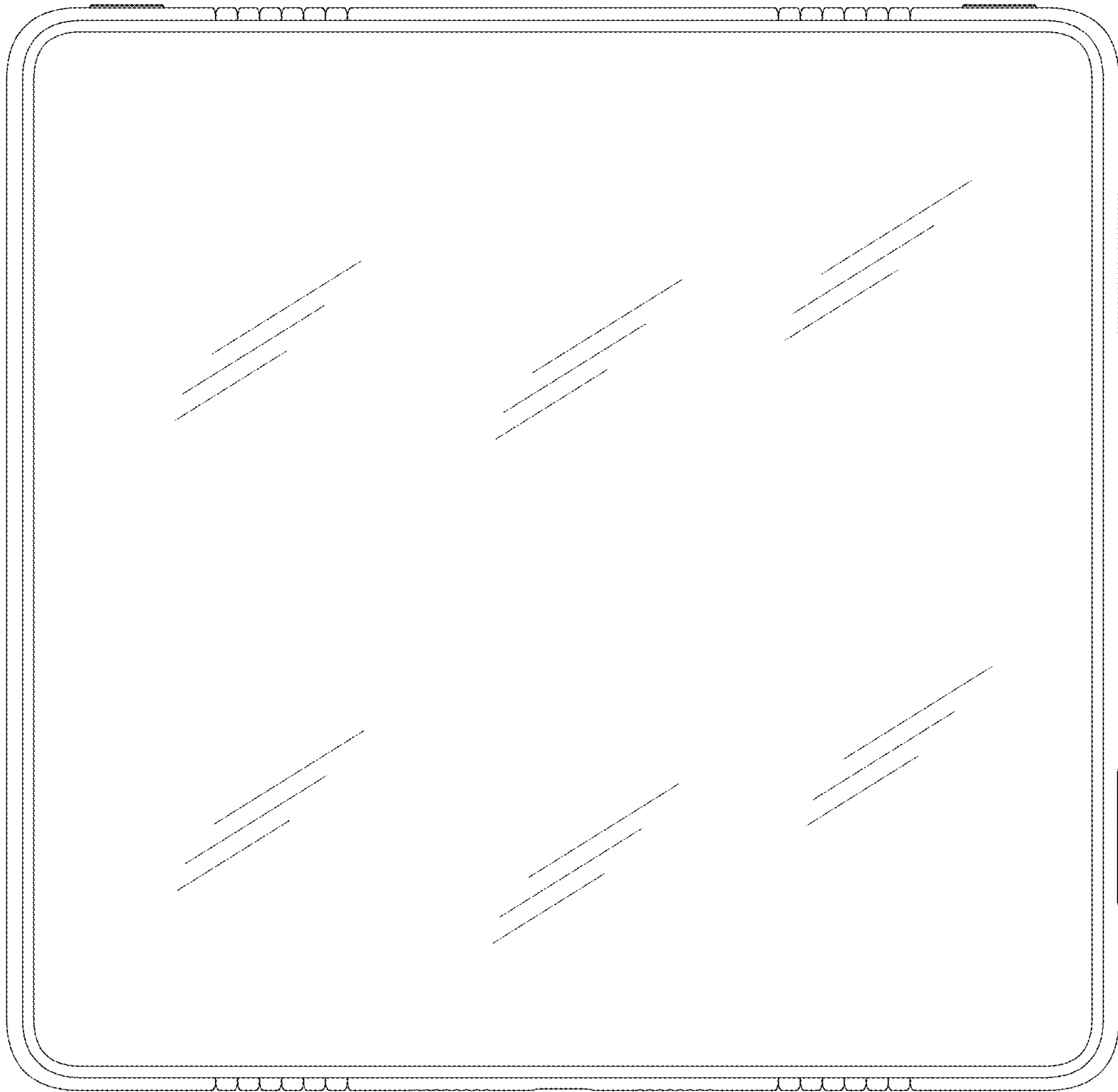


FIG. 3

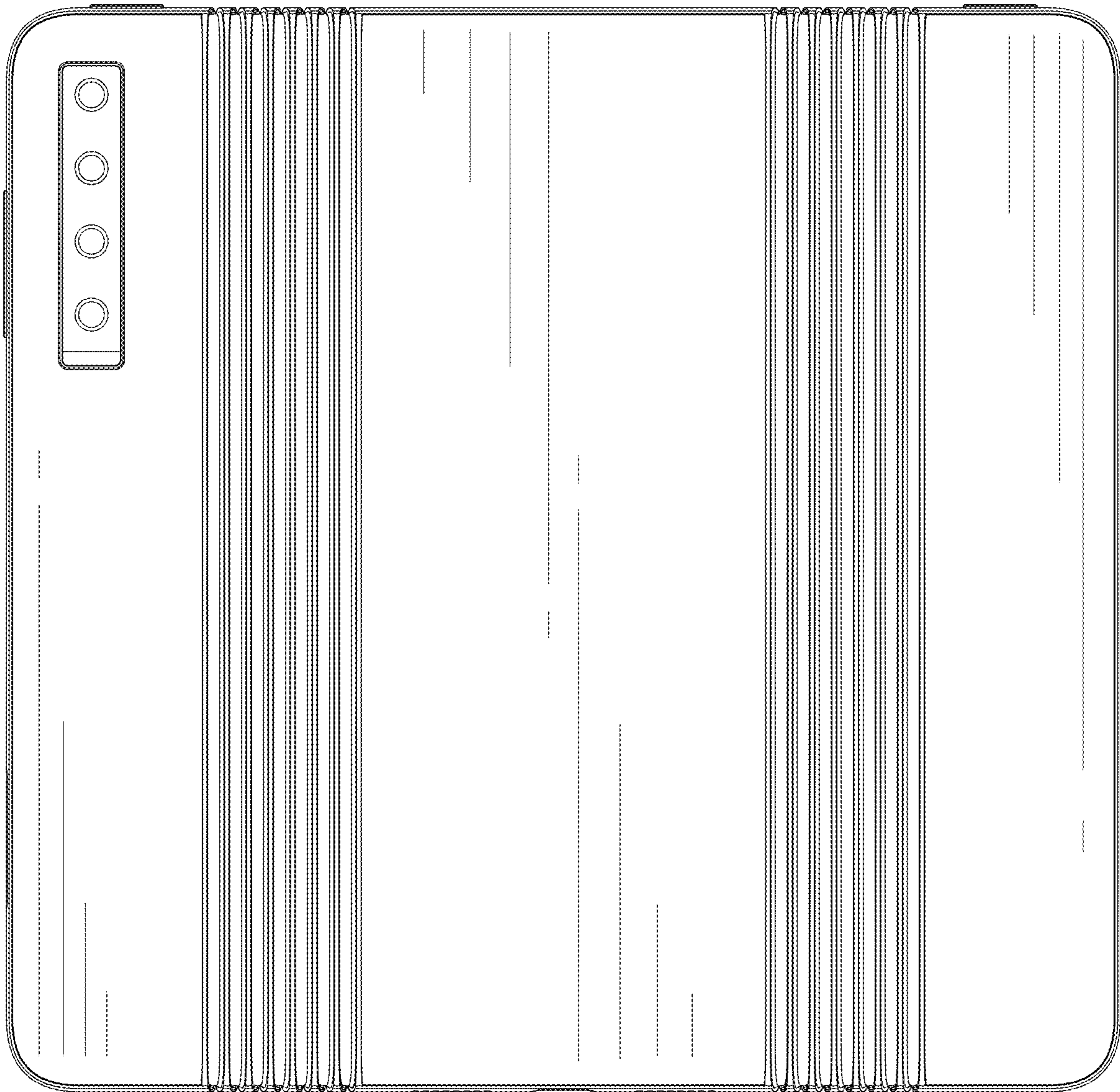


FIG. 4

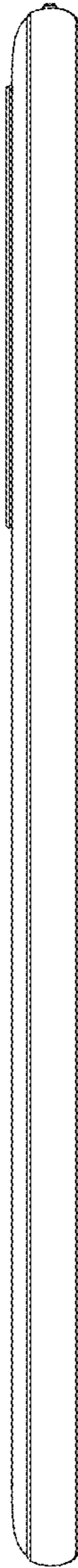


FIG. 5

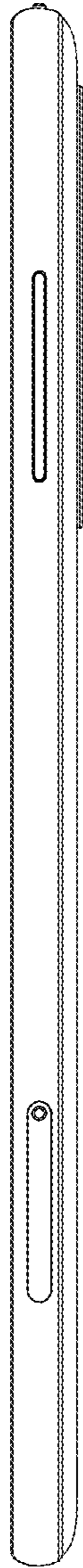


FIG. 6



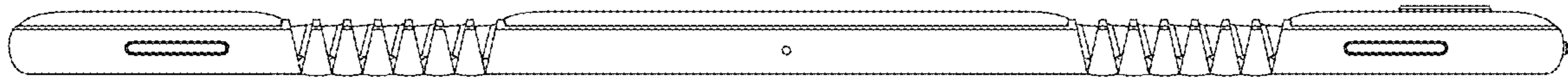


FIG. 7



FIG. 8

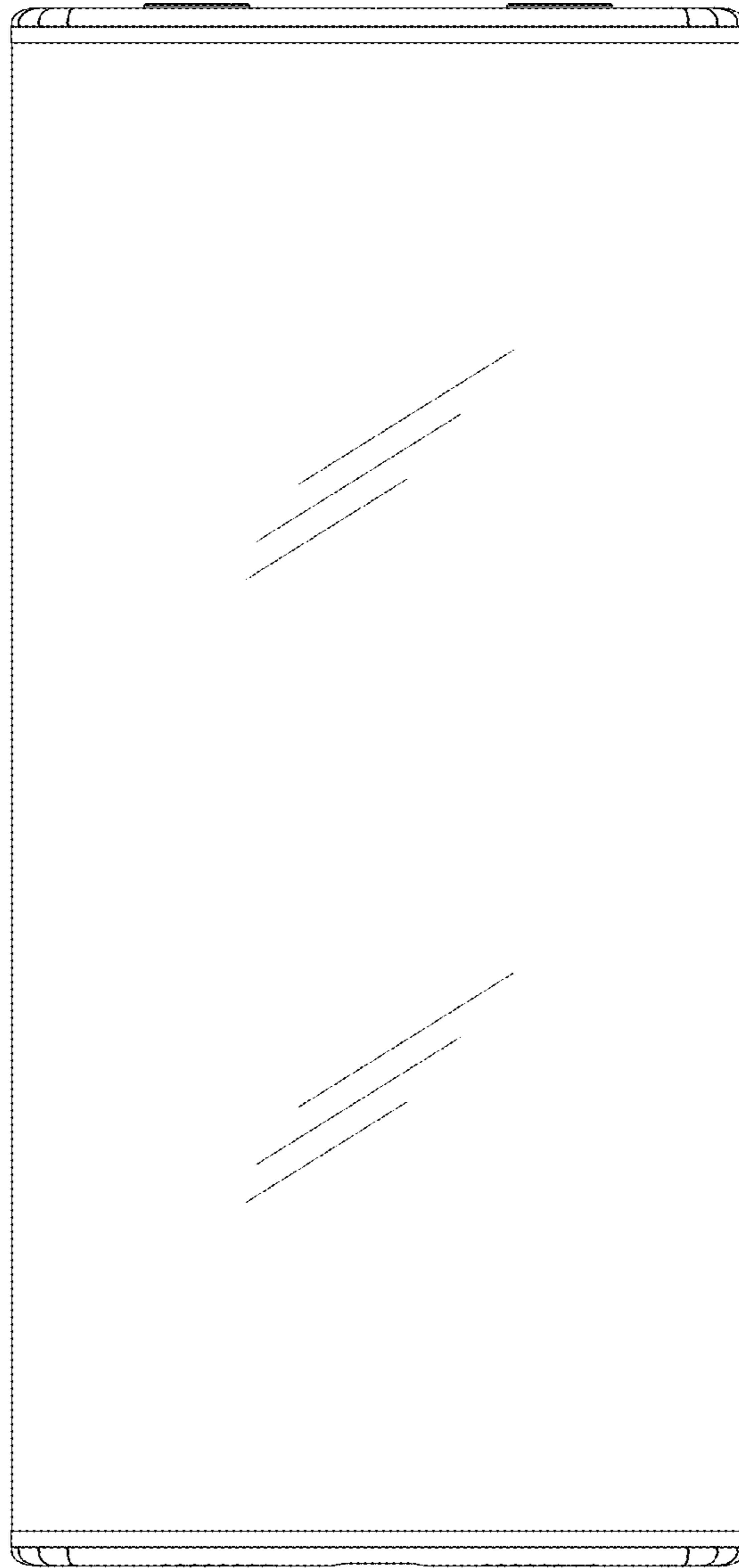


FIG. 9

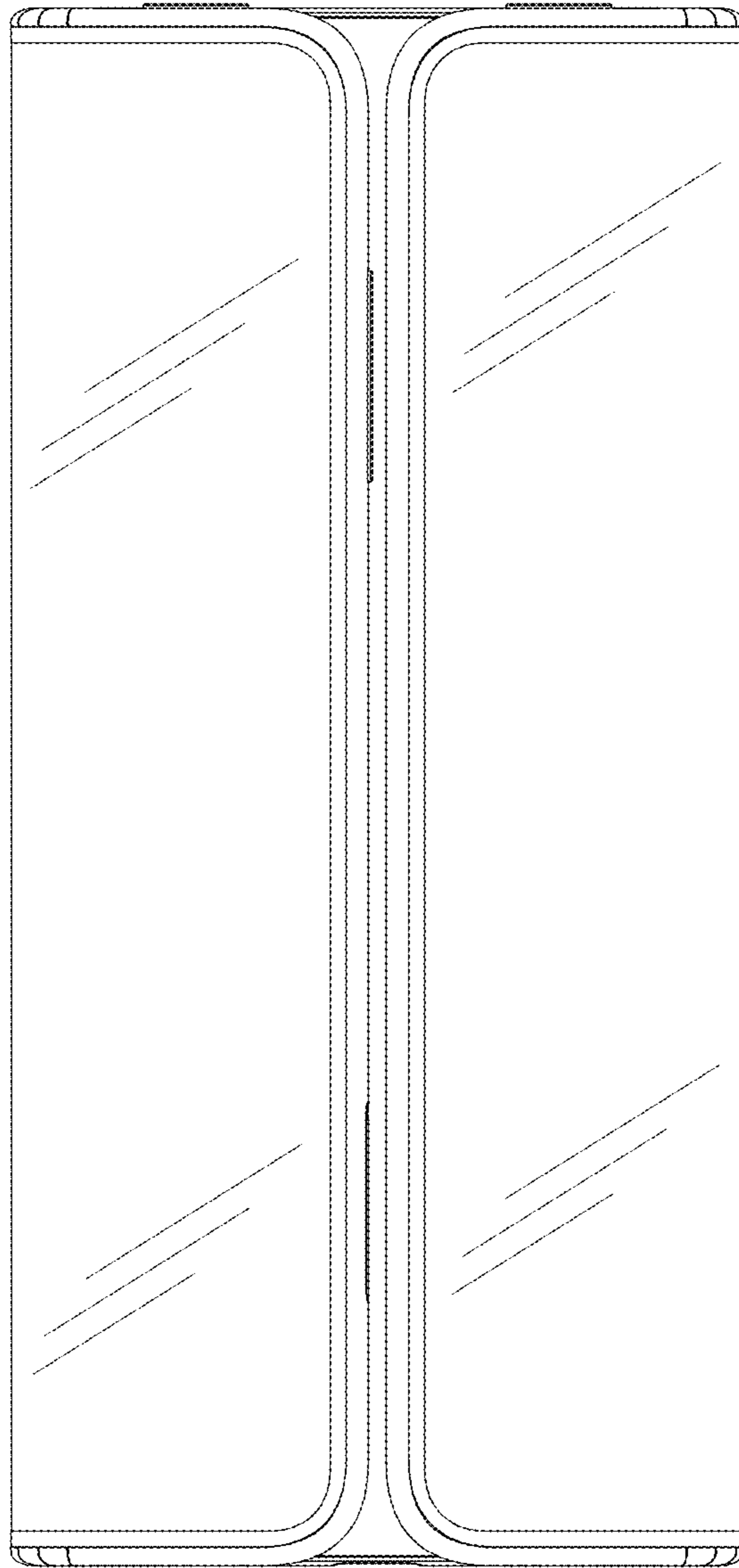


FIG. 10

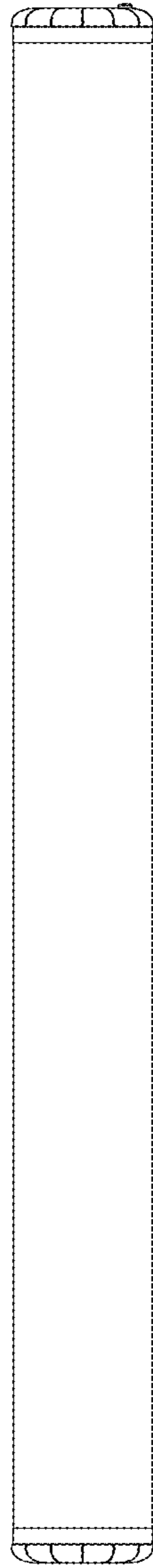


FIG. 11



FIG. 12



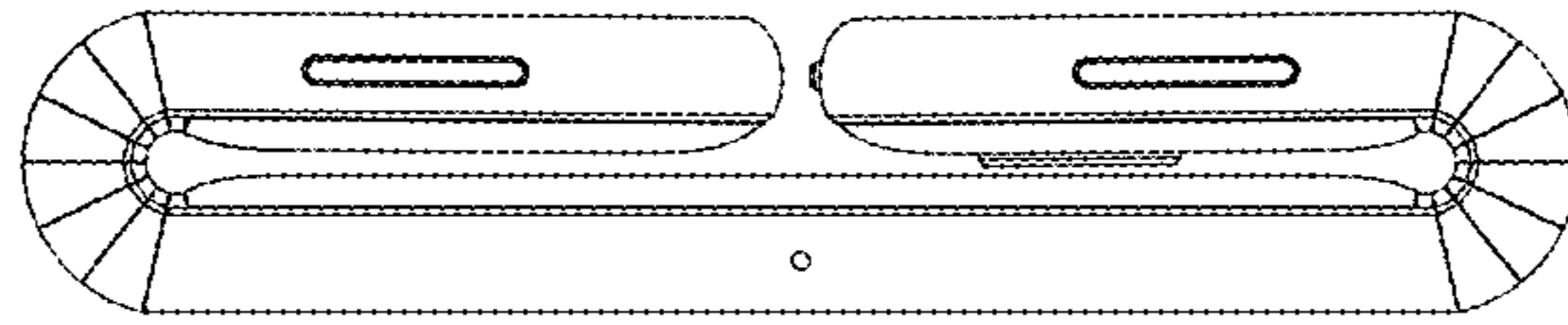


FIG. 13

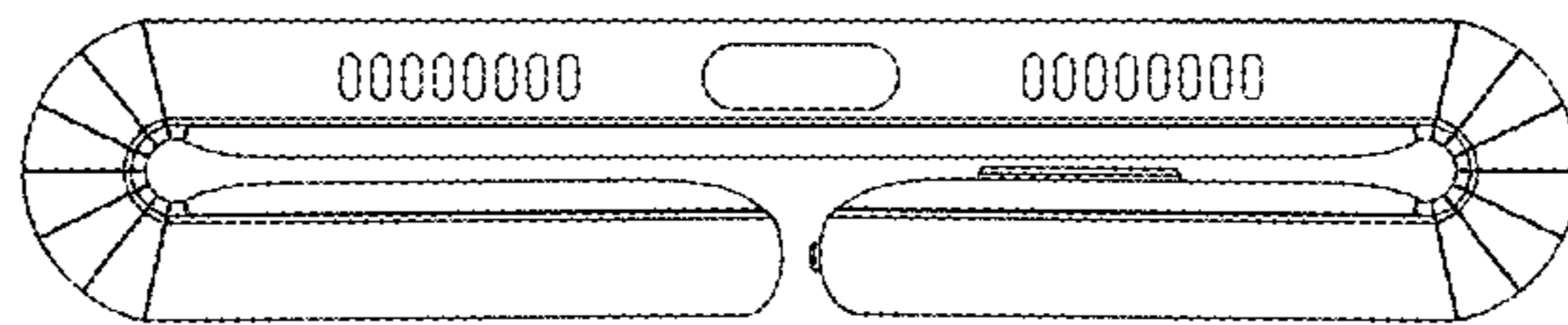


FIG. 14

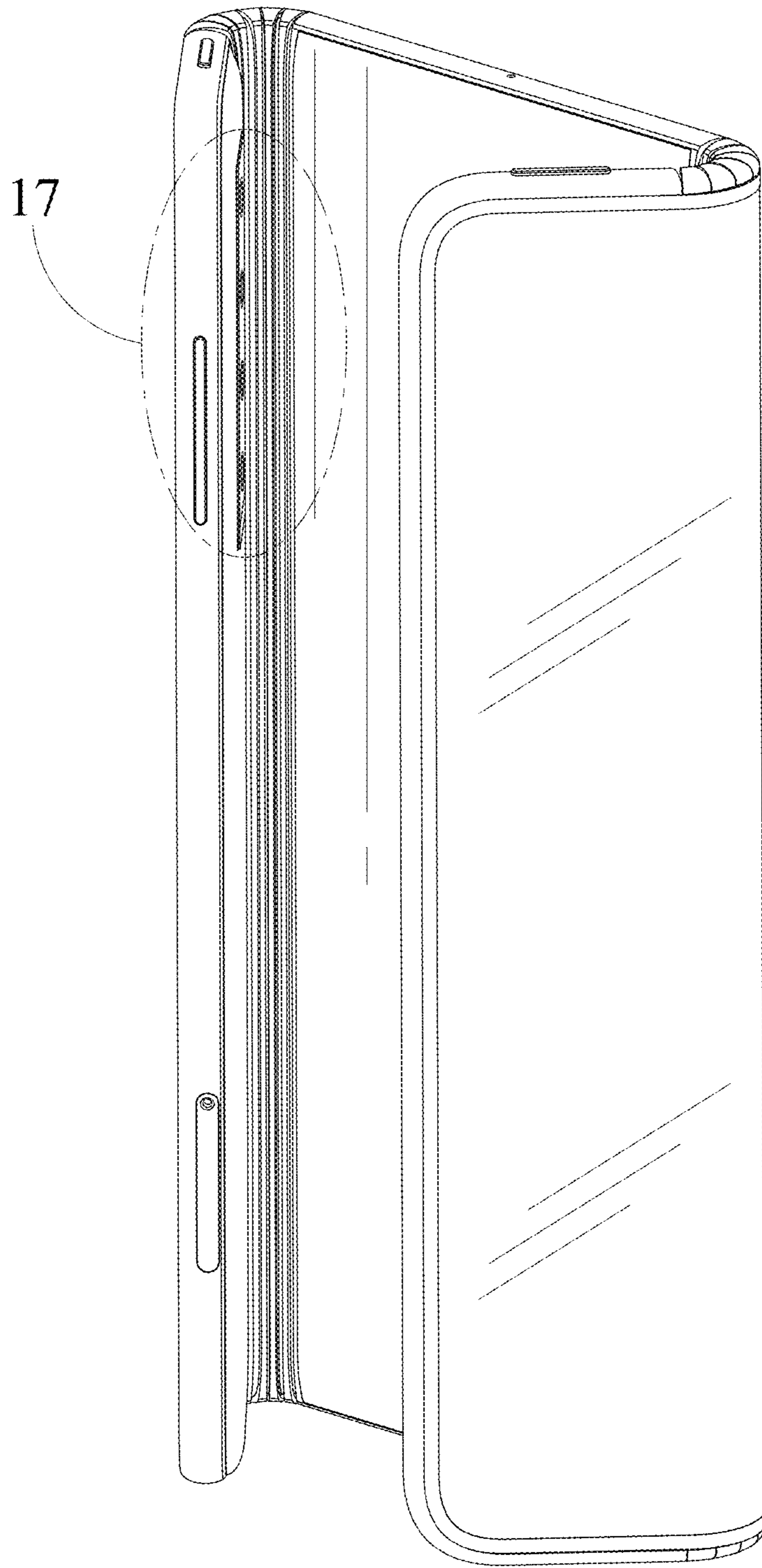


FIG. 15

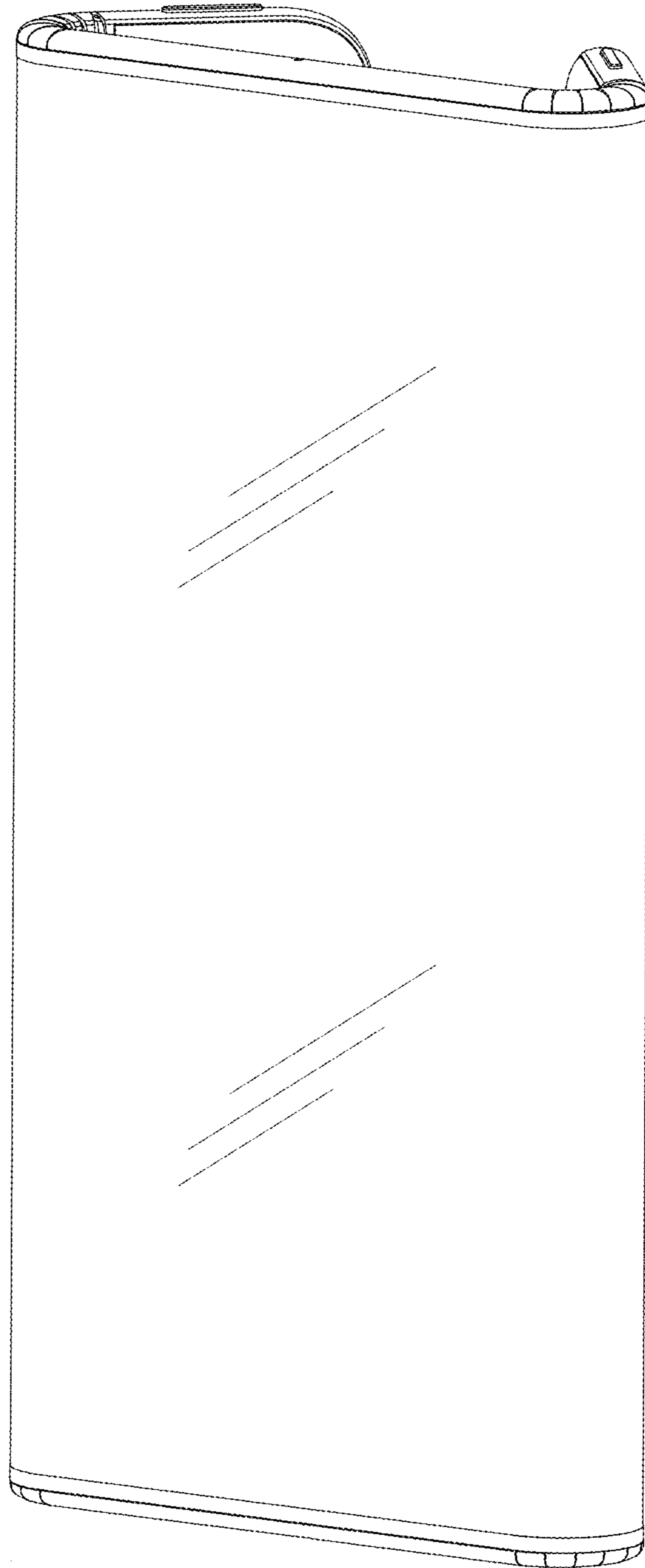


FIG. 16

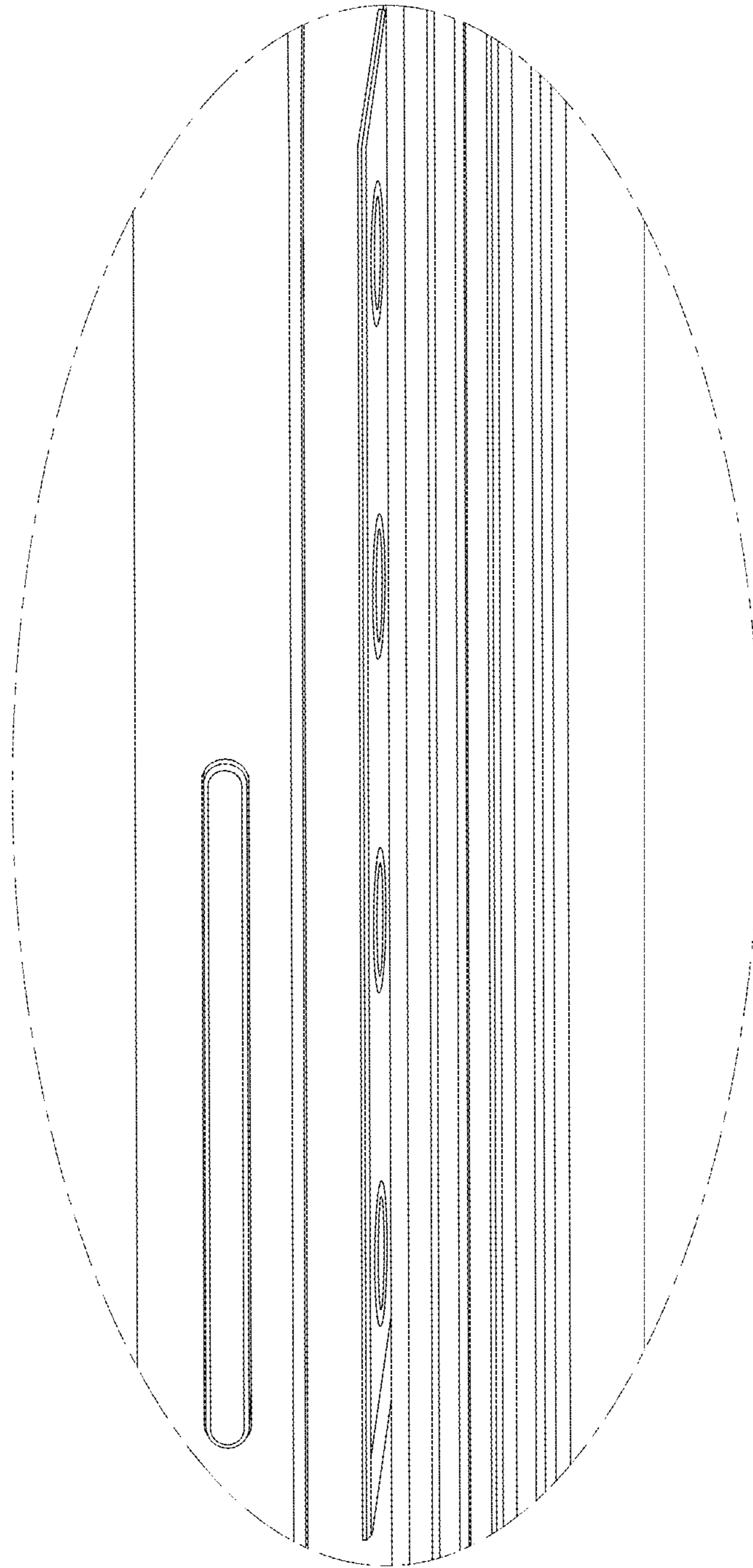


FIG. 17