



US00D941784S

(12) **United States Design Patent** (10) **Patent No.:** **US D941,784 S**  
**Chuang et al.** (45) **Date of Patent:** **\*\* Jan. 25, 2022**

(54) **SWITCHING DEVICE**

(56) **References Cited**

(71) Applicants: **Interface Technology (ChengDu) Co., Ltd.**, Sichuan (CN); **Interface Optoelectronics (ShenZhen) Co., Ltd.**, Guangdong (CN); **General Interface Solution Limited**, Miaoli County (TW)

U.S. PATENT DOCUMENTS

D335,283	S	*	5/1993	Justiniano	.....	D13/171
D445,095	S	*	7/2001	Ciornei	.....	D13/164
D553,583	S	*	10/2007	Xu	.....	D13/164
D562,264	S	*	2/2008	Jeong	.....	D13/164
D588,069	S	*	3/2009	Cummings	.....	D13/158
D595,240	S	*	6/2009	Busbridge	.....	D13/164
D621,795	S	*	8/2010	Tsui	.....	D13/171
D691,969	S	*	10/2013	Chu	.....	D13/164
D722,981	S	*	2/2015	Livschitz	.....	D13/162

(Continued)

(72) Inventors: **Fu-Chiang Chuang**, Miaoli County (TW); **Wen-Hsiao Huang**, Miaoli County (TW); **Fu-Cheng Wei**, Miaoli County (TW); **Chih-Lin Liao**, Miaoli County (TW)

OTHER PUBLICATIONS

MOES WiFi Touch Wall Smart Switch; Nov. 12, 2020; [https://www.amazon.com/MOES-Switch-Multi-Control-Association-Control/dp/B08NC6K1QN/ref=pd\\_sbs\\_5/132-5711483-8998467?pd\\_rd\\_w=tgzUp&pf\\_rd\\_p=755df9fc-1b62-4c8c-831e-91a7f8454d75&pf\\_rd\\_r=XAA8STVESCJYZYXM9R0V&pd\\_rd\\_r=ff72d276-a702-4172-a5d3-9df6599dc817&pd\\_rd\\_wg=MH8mb&pd\\_rd\\_\\*](https://www.amazon.com/MOES-Switch-Multi-Control-Association-Control/dp/B08NC6K1QN/ref=pd_sbs_5/132-5711483-8998467?pd_rd_w=tgzUp&pf_rd_p=755df9fc-1b62-4c8c-831e-91a7f8454d75&pf_rd_r=XAA8STVESCJYZYXM9R0V&pd_rd_r=ff72d276-a702-4172-a5d3-9df6599dc817&pd_rd_wg=MH8mb&pd_rd_*)

(73) Assignees: **Interface Technology (ChengDu) Co., Ltd.**, Chengdu (CN); **Interface Optoelectronics (ShenZhen) Co., Ltd.**, Shenzhen (CN); **General Interface Solution Limited**, Miaoli County (TW)

*Primary Examiner* — Selina Sikder  
(74) *Attorney, Agent, or Firm* — Locke Lord LLP; Tim Tingkang Xia, Esq.

(\*\*) Term: **15 Years**

(21) Appl. No.: **29/708,087**

(22) Filed: **Oct. 3, 2019**

(30) **Foreign Application Priority Data**

Sep. 11, 2019 (CN) ..... 201930499992.0

(57) **CLAIM**

(51) **LOC (13) Cl.** ..... **13-03**

The ornamental design for a switching device, as shown and described.

(52) **U.S. Cl.**  
USPC ..... **D13/164**

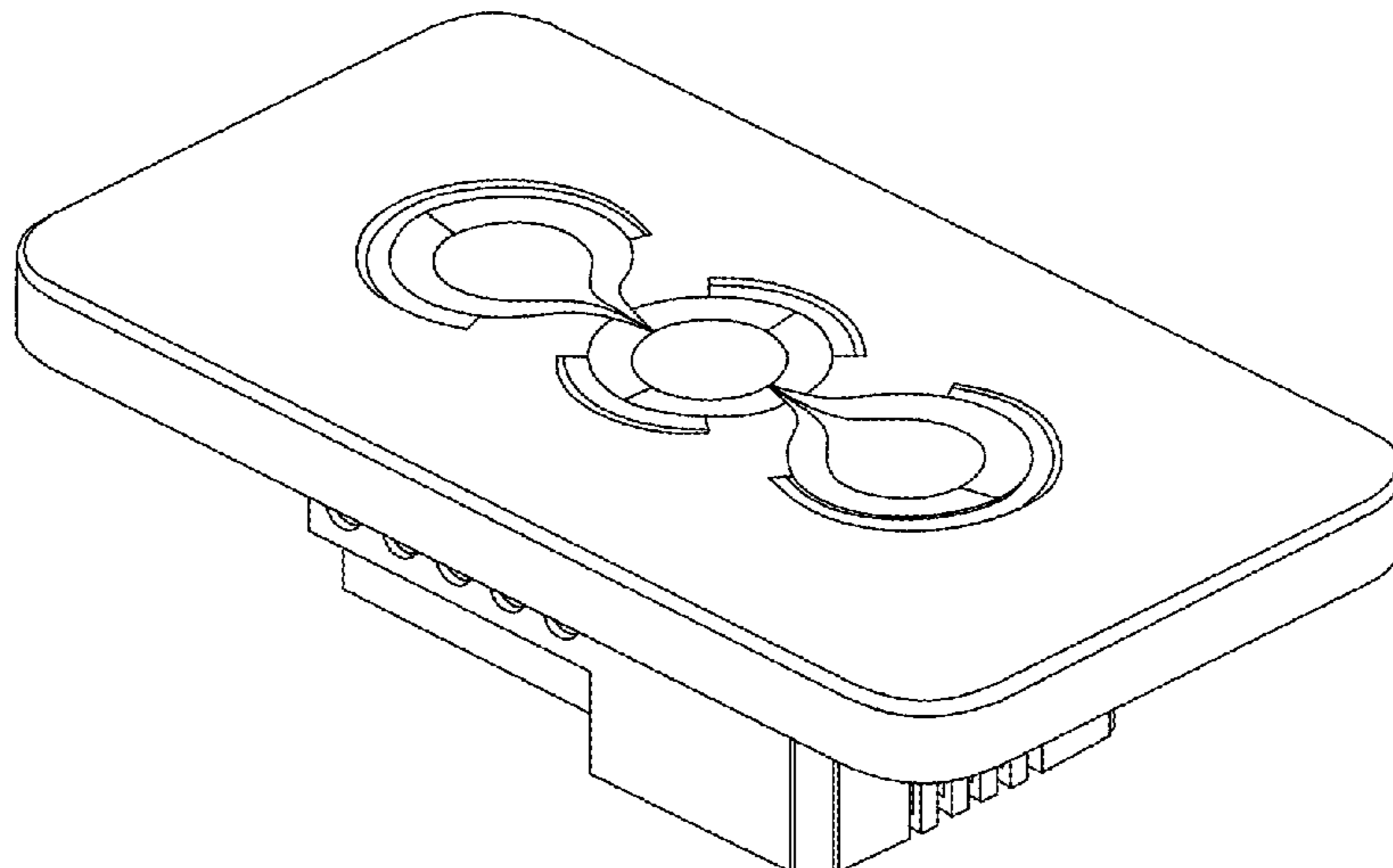
(58) **Field of Classification Search**  
USPC ..... D13/162, 164, 171  
CPC .. H01H 9/02; H01H 9/16; H01H 9/18; H01H 9/181; H01H 9/182; H01H 13/04; H01H 13/06; H01H 2009/187; H01H 3/12; H01H 23/02; H01H 23/04; H05B 39/02; H05B 39/04; H05B 39/085; H05B 39/086; H05B 39/088; G08C 17/02; H03K 17/96; H03K 17/962; H03K 2017/9634; G06F 2203/04809

**DESCRIPTION**

FIG. 1 is a perspective view of the switching device; FIG. 2 is a front elevation view of FIG. 1; FIG. 3 is a rear elevation view of FIG. 1; FIG. 4 is a left side elevation view of FIG. 1; FIG. 5 is a right side elevation view of FIG. 1; FIG. 6 is a top plan view of FIG. 1; and, FIG. 7 is a bottom view of FIG. 1.

See application file for complete search history.

**1 Claim, 7 Drawing Sheets**



(56)

**References Cited**

U.S. PATENT DOCUMENTS

D736,717 S \* 8/2015 Duffy ..... D13/162  
D763,803 S \* 8/2016 Dorn ..... D13/171  
10,102,742 B2 \* 10/2018 Dimberg ..... H05B 47/165  
D840,857 S \* 2/2019 Scalisi ..... D10/118.2  
D911,983 S \* 3/2021 Chen ..... D13/170  
D927,433 S \* 8/2021 Harrison ..... D13/164  
2018/0228003 A1 \* 8/2018 O'Driscoll ..... G05B 11/01  
2019/0187839 A1 \* 6/2019 Huang ..... H03K 17/9622

\* cited by examiner

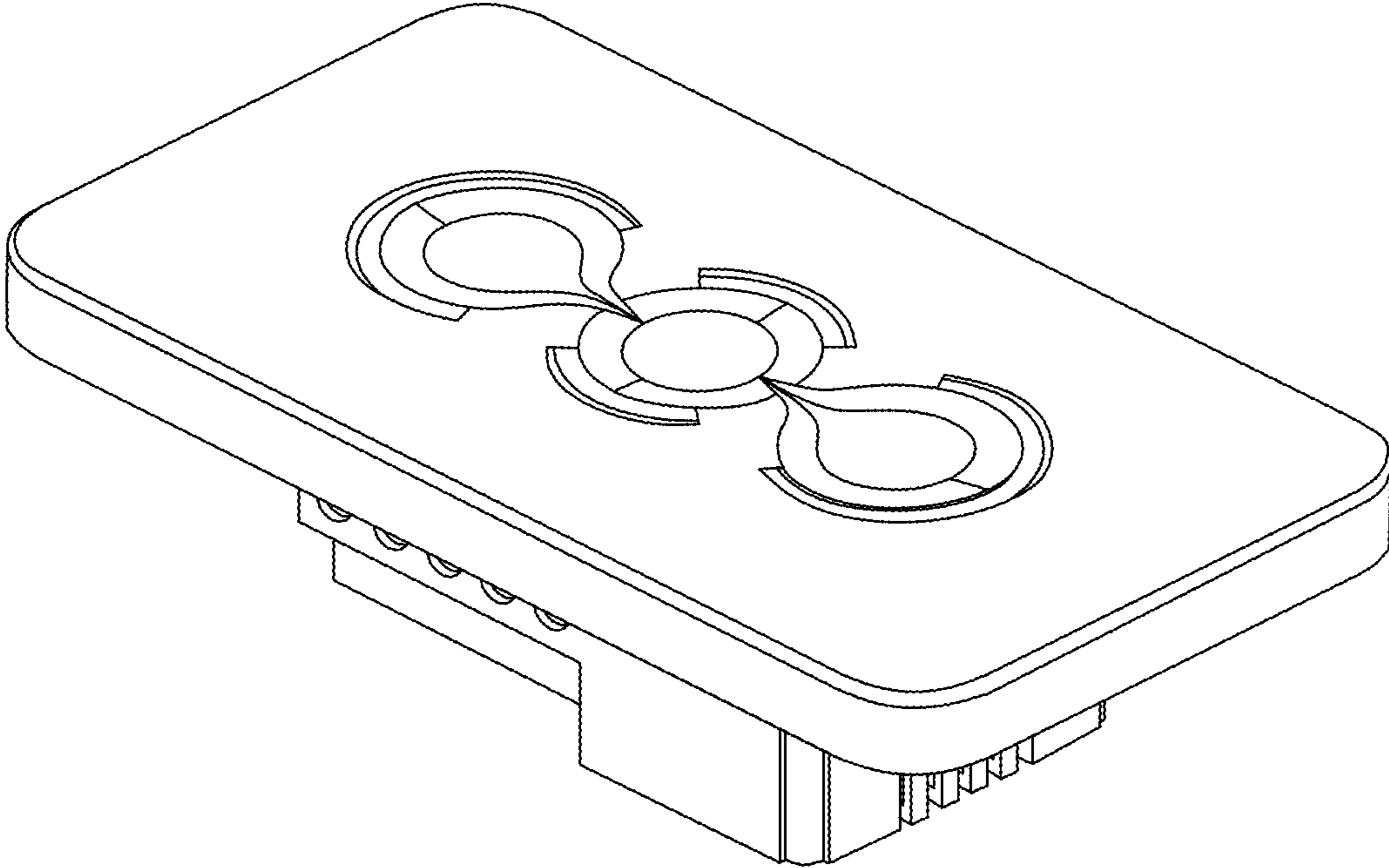


Fig. 1

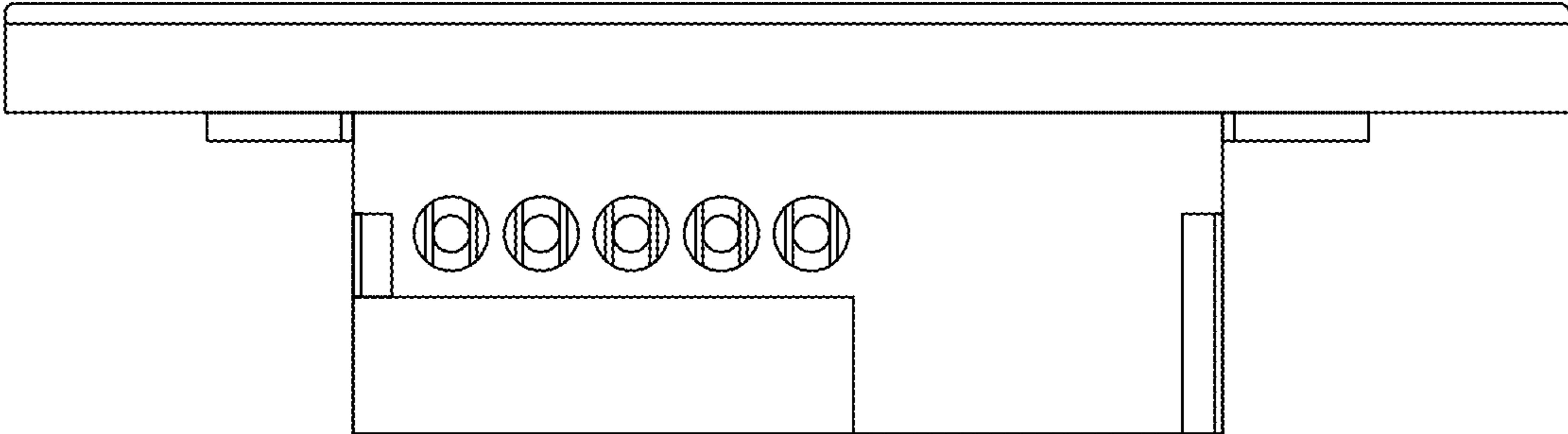


Fig. 2

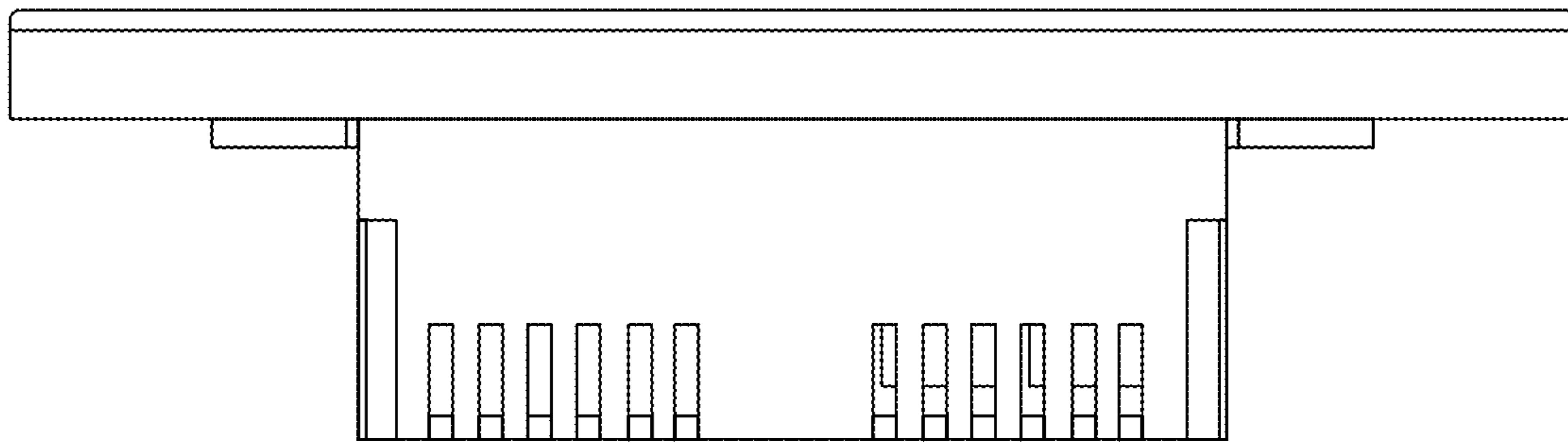


Fig. 3

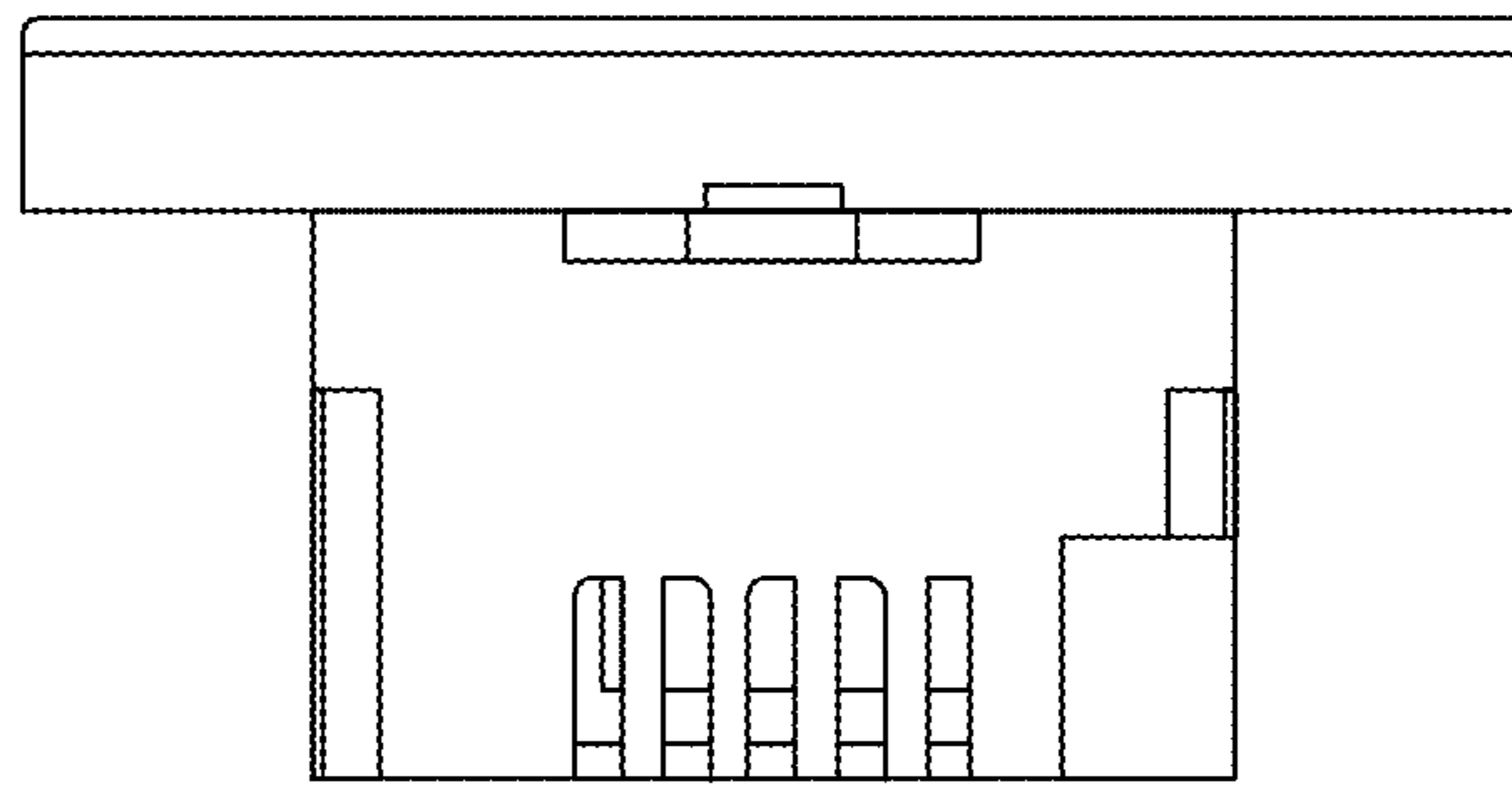


Fig. 4

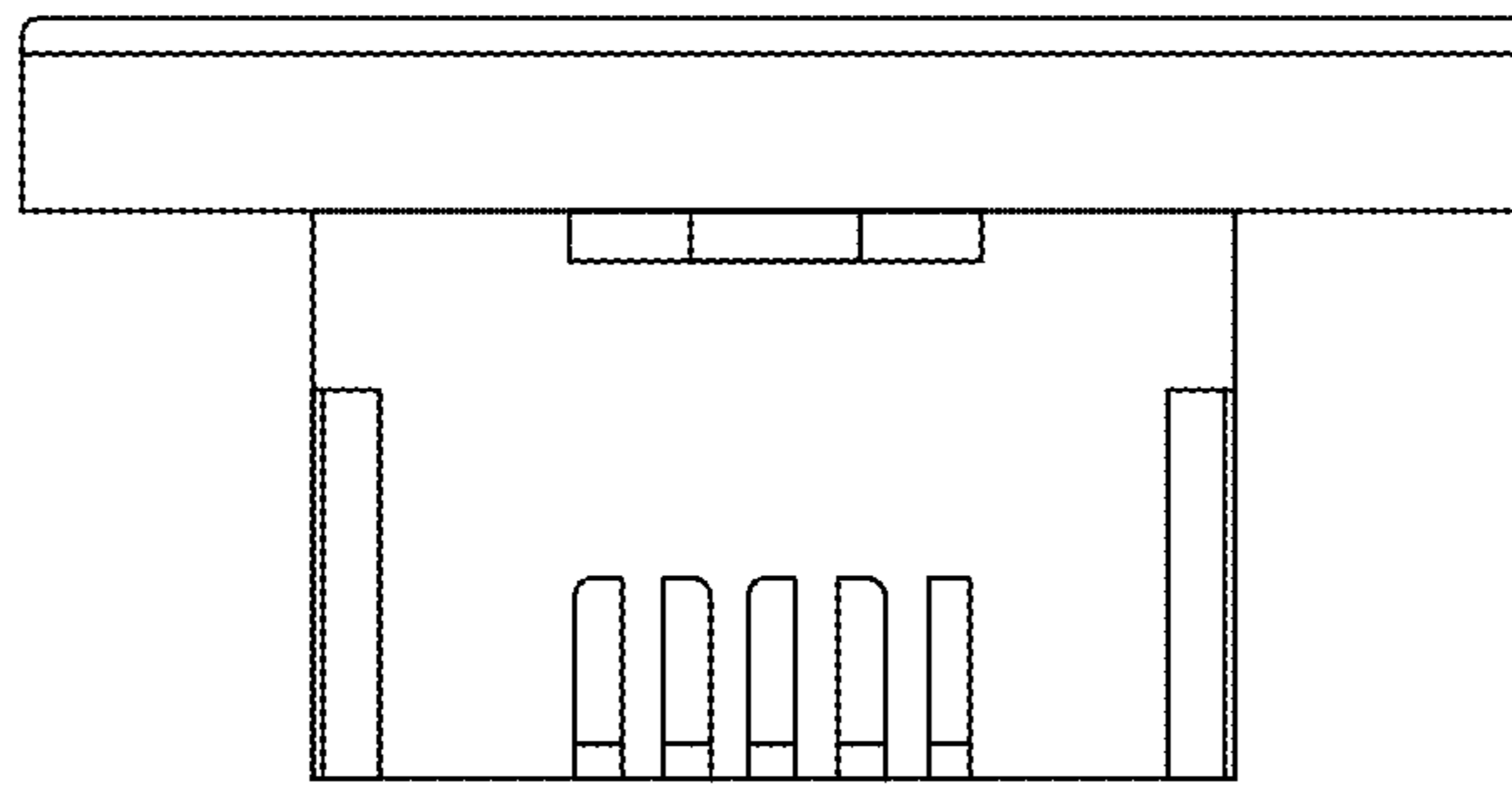


Fig. 5

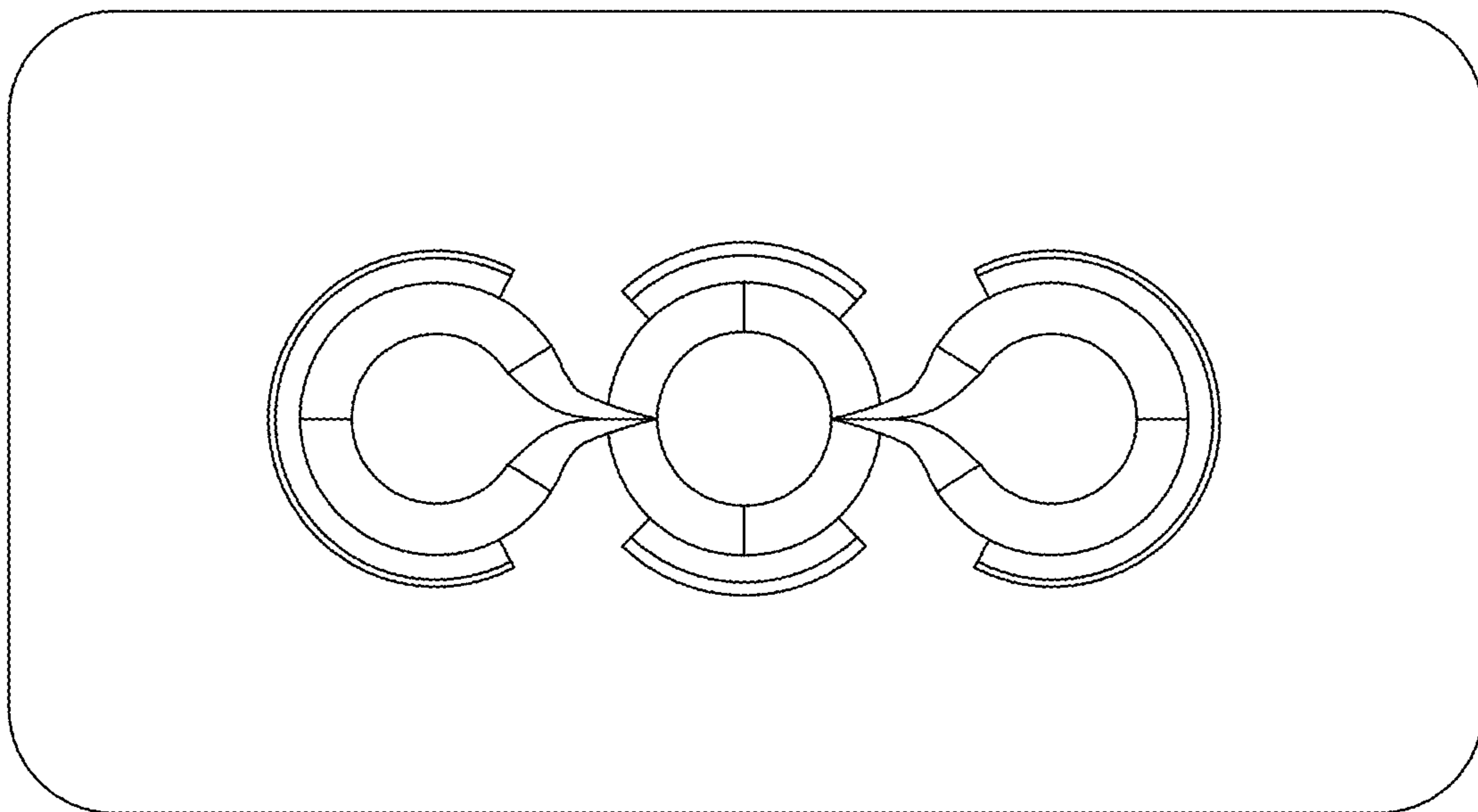


Fig. 6



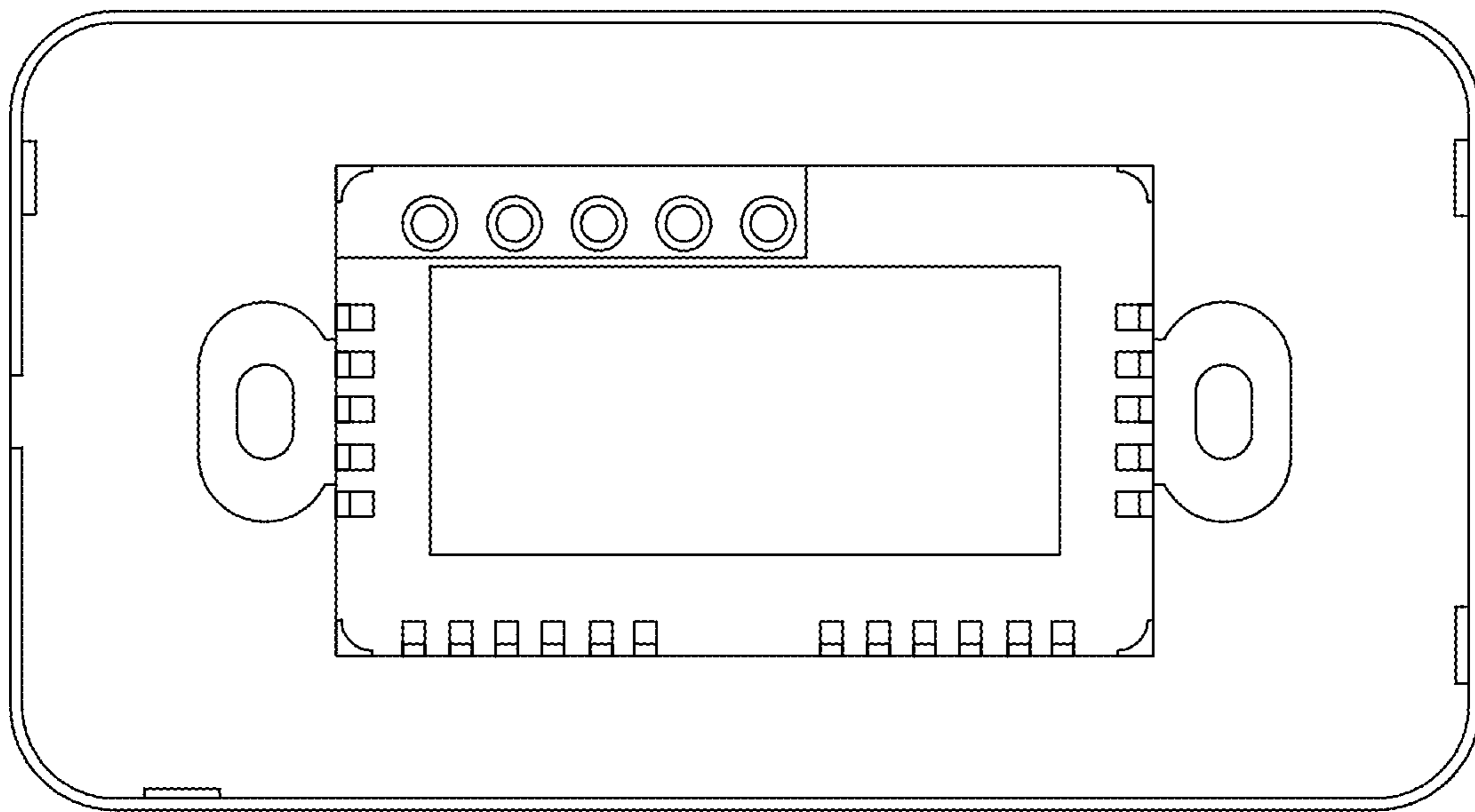


Fig. 7