

US00D941781S

(12) **United States Design Patent**
Warner et al.

(10) **Patent No.:** **US D941,781 S**
(45) **Date of Patent:** **** Jan. 25, 2022**

- (54) **COUPLER FOR RIGID AND FLEXIBLE METAL CONDUIT**
- (71) Applicant: **Bridgeport Fittings, LLC**, Stratford, CT (US)
- (72) Inventors: **Randall S. Warner**, Bethany, CT (US);
Lawrence J. Smith, Stamford, CT (US)
- (73) Assignee: **Bridgeport Fittings, LLC**, Stratford, CT (US)

5,016,924 A *	5/1991	Lin	H02G 3/06
				285/179
6,300,560 B1 *	10/2001	Mankins	H02G 3/06
				174/21 R
6,637,777 B2 *	10/2003	Zimmerman	H02G 3/06
				285/126.1
D660,251 S *	5/2012	Liber	D13/155
D737,783 S *	9/2015	Smith	D13/155
9,341,292 B2 *	5/2016	Smith	H02G 3/0481
D782,621 S *	3/2017	Smith	D23/259
2005/0241846 A1 *	11/2005	Finn, III	H02G 3/088
				174/50

(**) Term: **15 Years**

(21) Appl. No.: **29/720,182**

(22) Filed: **Jan. 14, 2020**

(51) **LOC (13) Cl.** **13-03**

(52) **U.S. Cl.**
USPC **D13/155**

(58) **Field of Classification Search**
USPC D13/123, 133, 139.1, 139.2, 139.4, 152,
D13/154, 155, 156, 158, 184; D8/354
See application file for complete search history.

(56) **References Cited**

U.S. PATENT DOCUMENTS

4,730,855 A *	3/1988	Pelletier	H02G 3/06
				174/71 R
4,766,662 A *	8/1988	Bradshaw	F01P 11/04
				138/151

* cited by examiner

Primary Examiner — Jennifer O King

(74) *Attorney, Agent, or Firm* — Ware, Fressola, Maguire & Barber LLP

(57) **CLAIM**

The ornamental design for a coupler for rigid and flexible metal conduit, as shown and described.

DESCRIPTION

FIG. 1 is a front perspective view of a coupler for rigid and flexible metal conduit showing our new design.

FIG. 2 is a front view thereof.

FIG. 3 is a back view thereof.

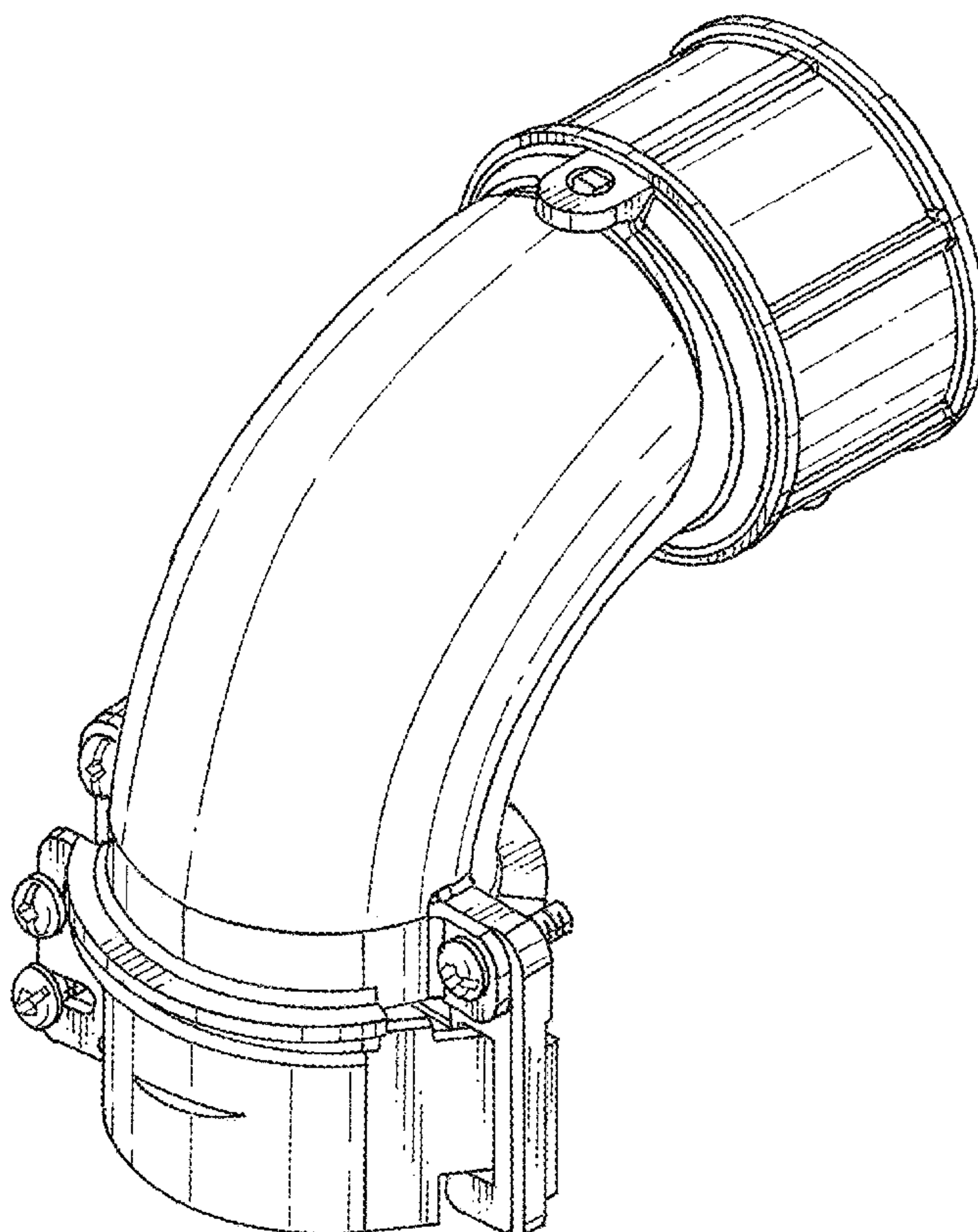
FIG. 4 is a right side view thereof.

FIG. 5 is a left side view thereof.

FIG. 6 is a top view thereof; and,

FIG. 7 is a bottom view thereof.

1 Claim, 7 Drawing Sheets



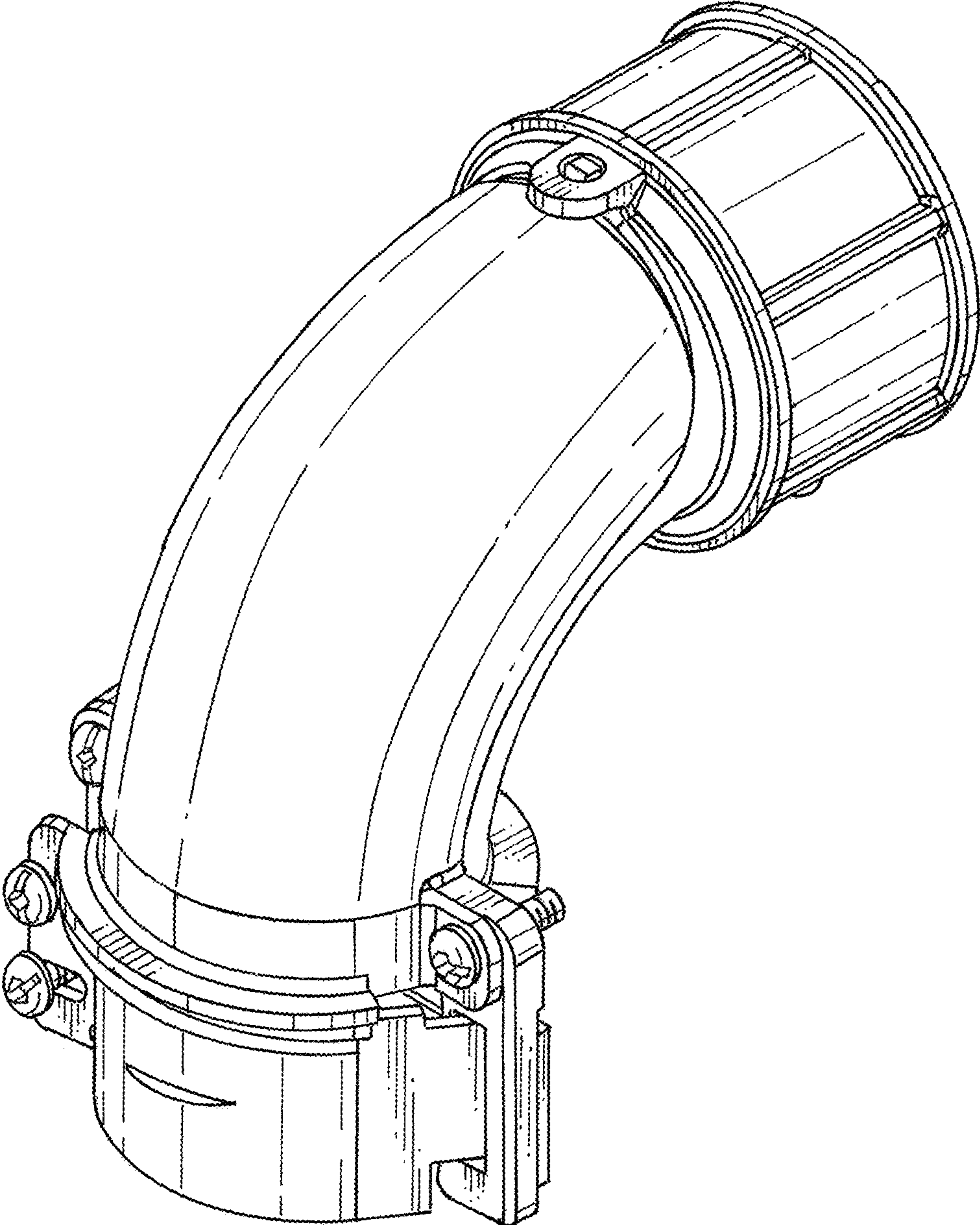


FIG. 1

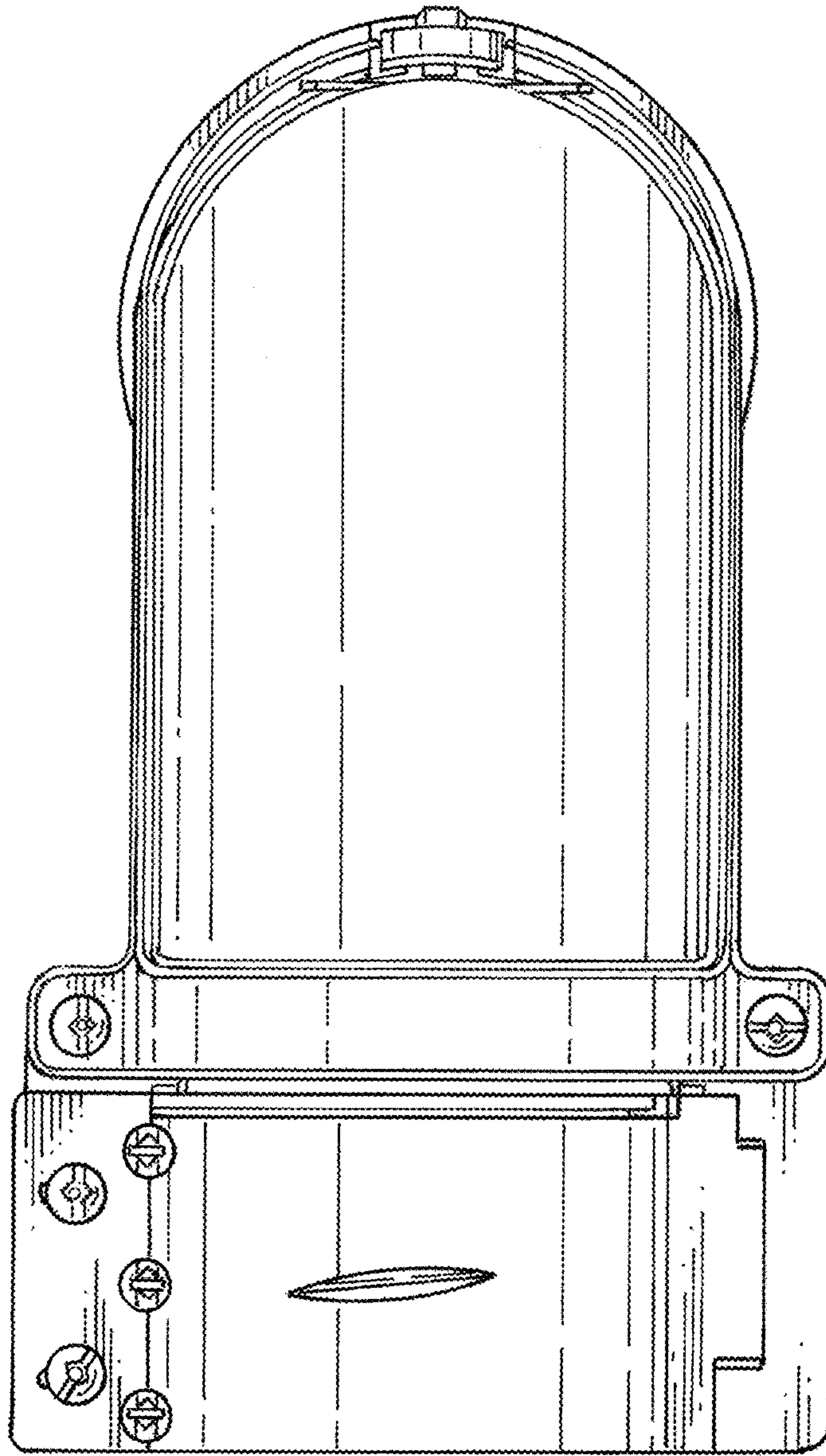


FIG. 2

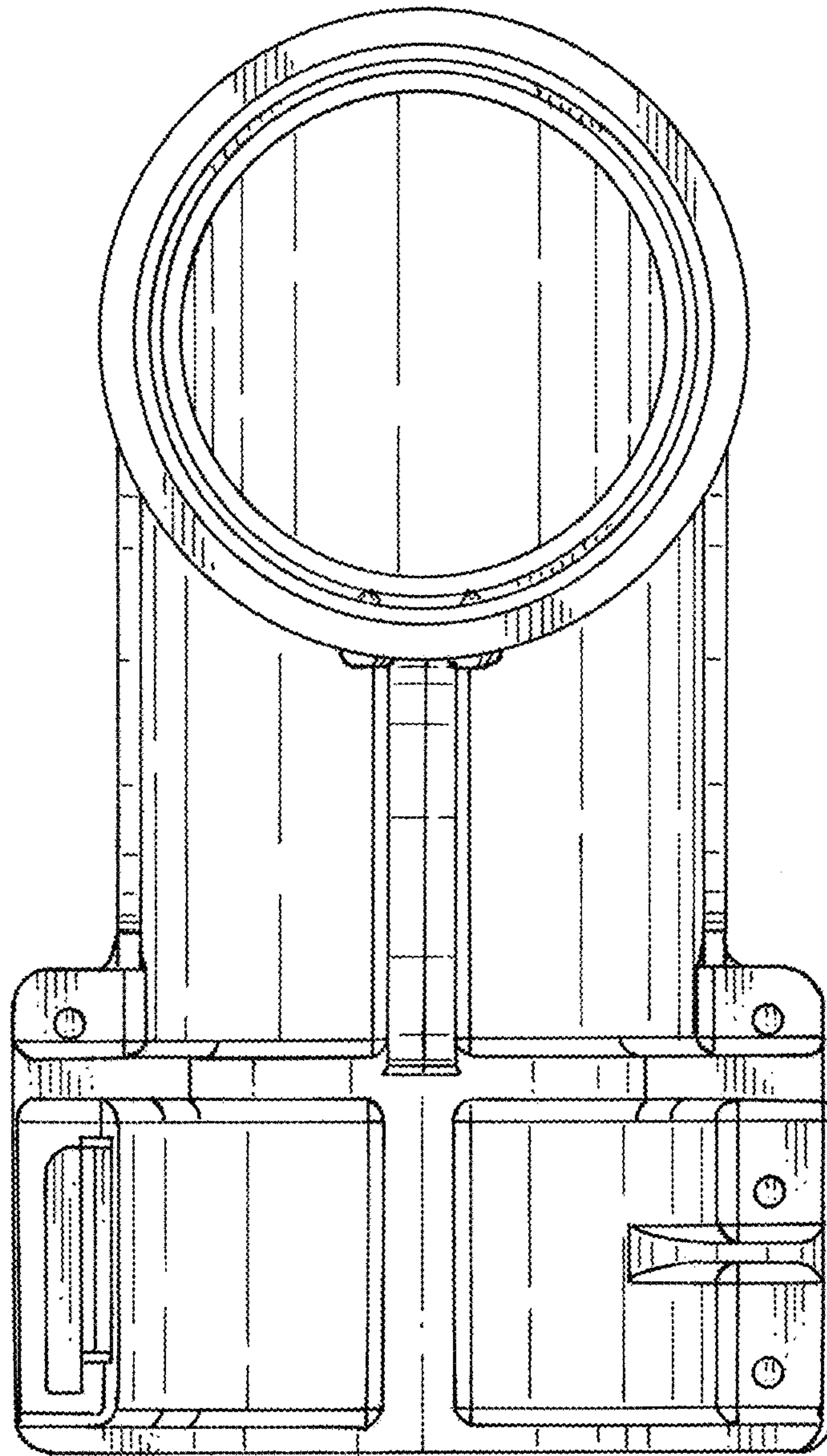


FIG. 3

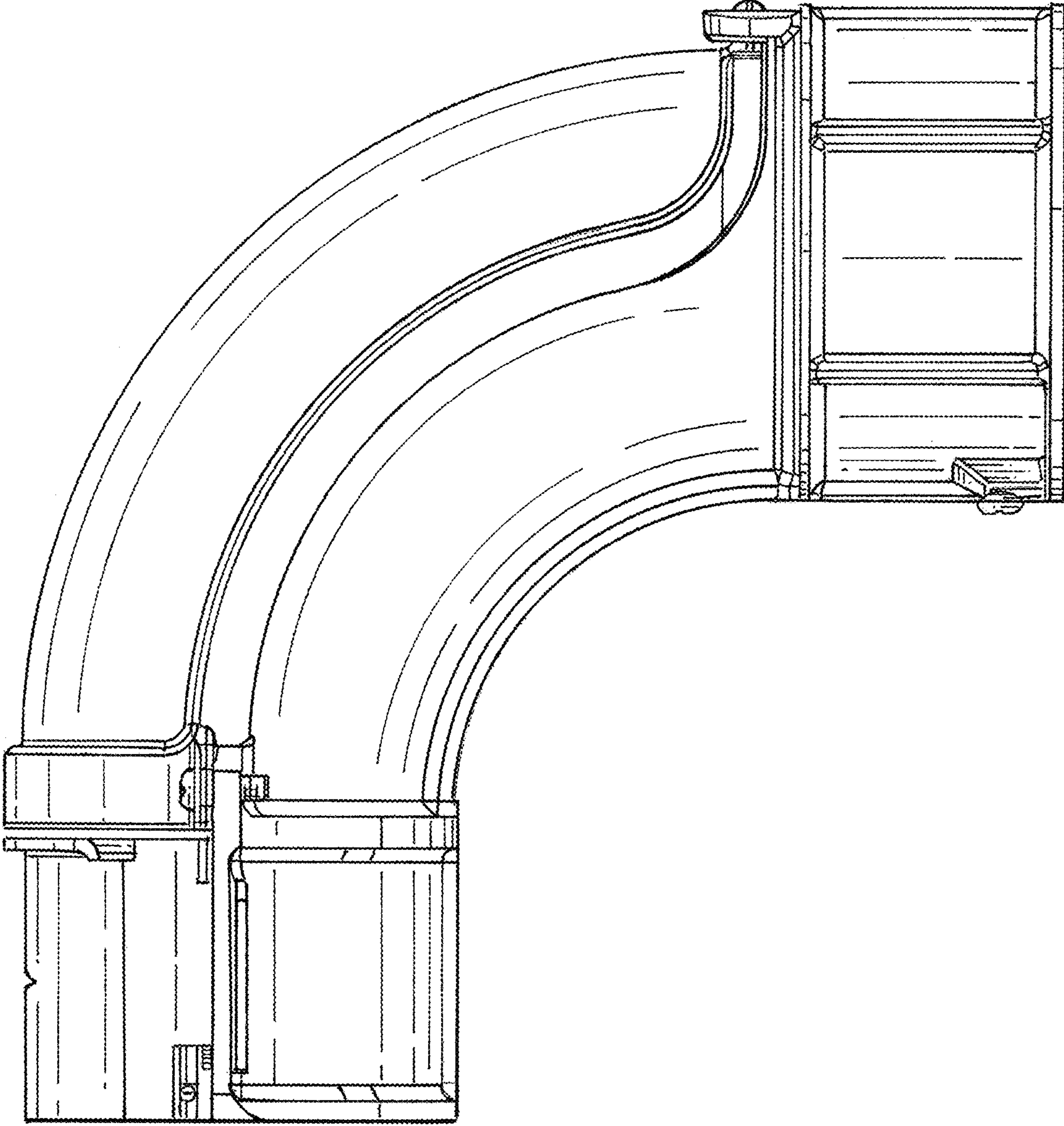


FIG. 4

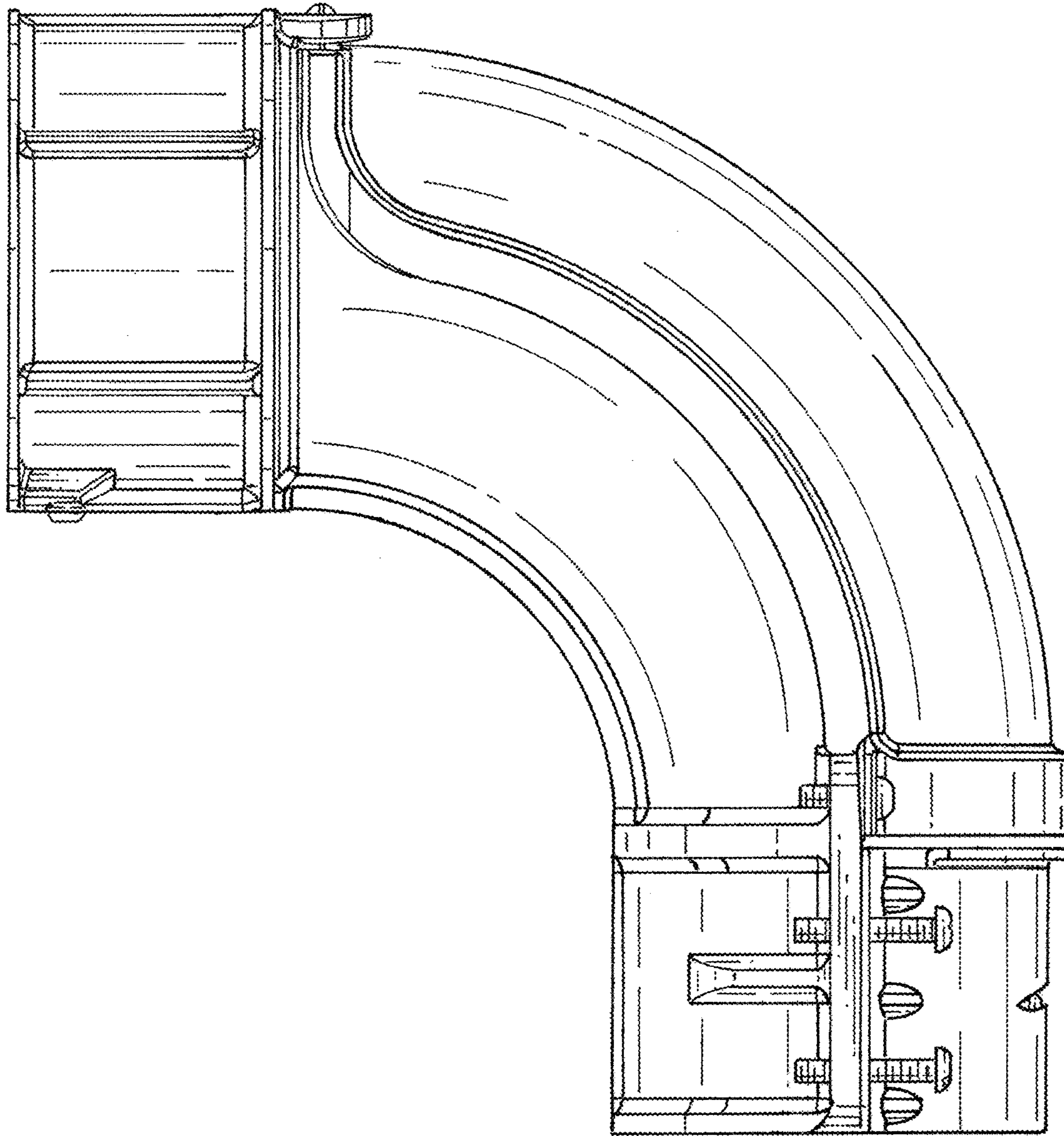


FIG. 5

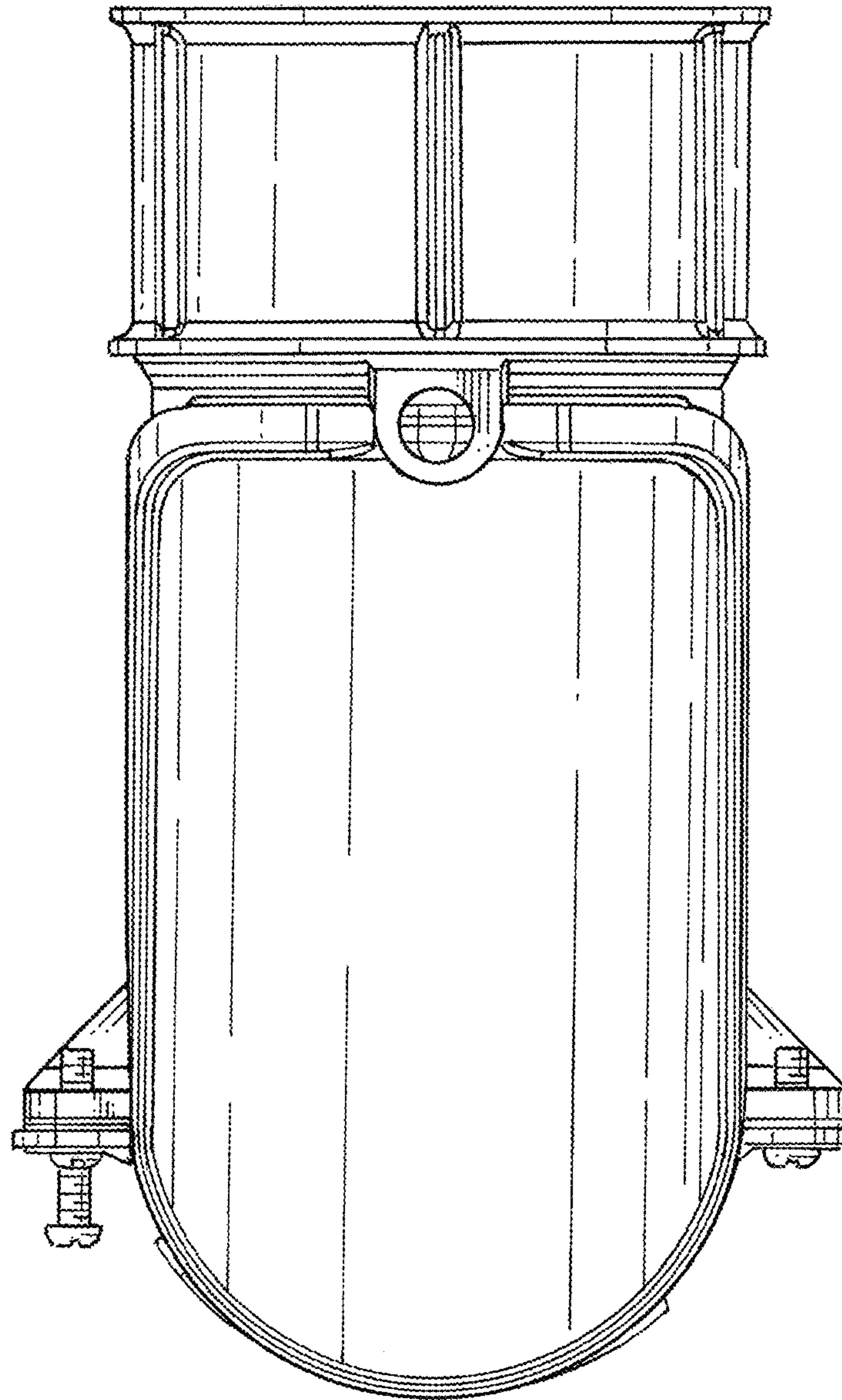


FIG. 6

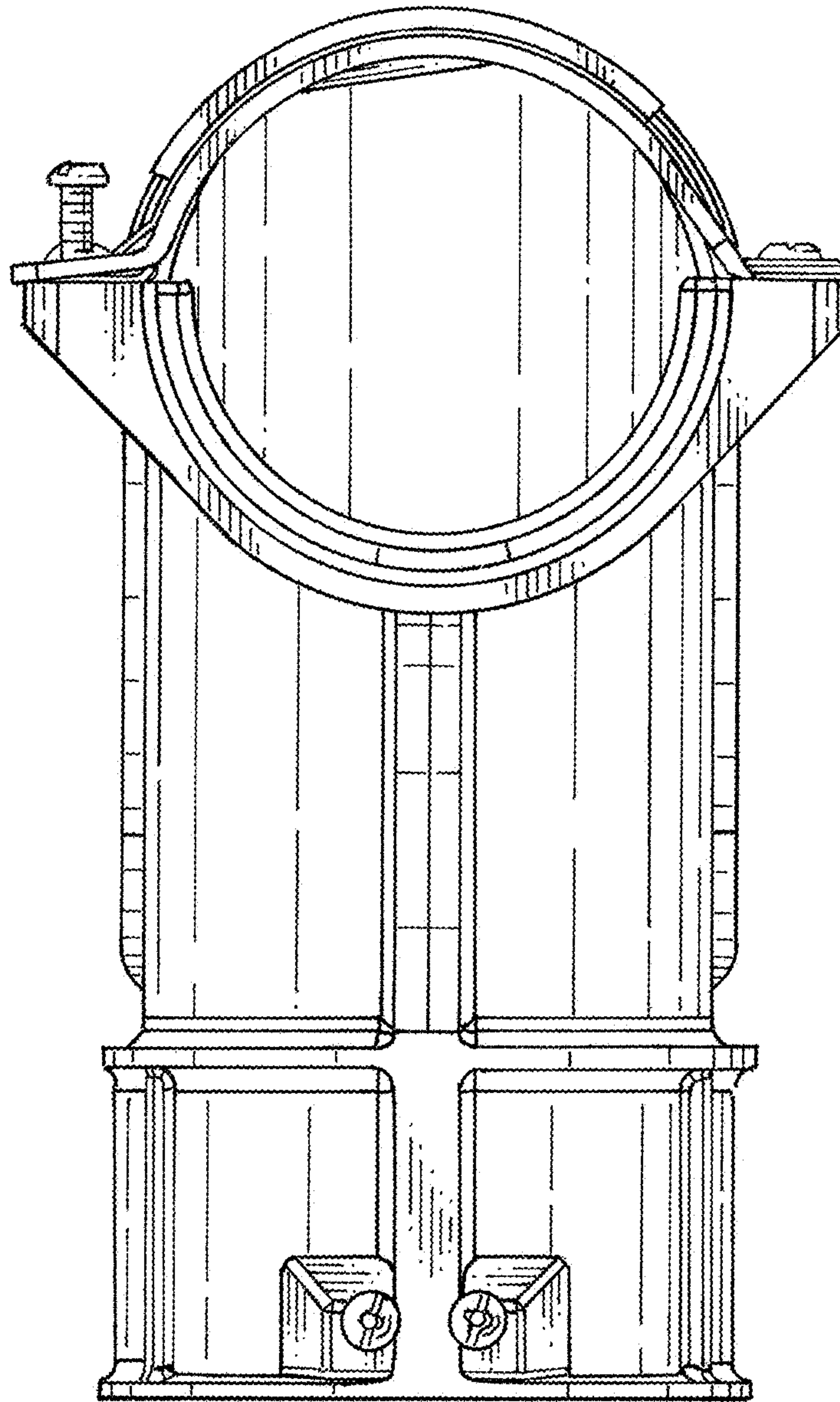


FIG. 7