



US00D941779S

(12) **United States Design Patent**
Buck et al.

(10) **Patent No.:** **US D941,779 S**
(45) **Date of Patent:** **** Jan. 25, 2022**

- (54) **ELECTRICAL CONNECTOR**
- (71) Applicant: **Samtec, Inc.**, New Albany, IN (US)
- (72) Inventors: **Jonathan E. Buck**, New Albany, IN (US); **John A. Mongold**, New Albany, IN (US)
- (73) Assignee: **SAMTEC, INC.**, New Albany, IN (US)
- (**) Term: **15 Years**
- (21) Appl. No.: **29/768,738**
- (22) Filed: **Feb. 1, 2021**

Related U.S. Application Data

- (63) Continuation of application No. 29/721,751, filed on Jan. 23, 2020, now Pat. No. Des. 924,169, which is a continuation of application No. 29/610,936, filed on Jul. 17, 2017, now Pat. No. Des. 877,700.
- (51) **LOC (13) Cl.** **13-03**
- (52) **U.S. Cl.**
USPC **D13/147**
- (58) **Field of Classification Search**
USPC D13/101, 118, 123, 133, 145-147, 149, D13/151, 154, 184, 199
CPC ... G02B 6/00; H01R 4/24; H01R 9/03; H01R 12/00; H01R 12/14; H01R 12/16; H01R 12/71; H01R 12/72; H01R 12/73; H01R 13/03; H01R 13/04; H01R 13/28; H01R 13/62; H01R 13/627; H01R 13/648; H01R 13/6588; H01R 24/00; H01R 24/60; H01R 24/62
See application file for complete search history.

(56) **References Cited**

U.S. PATENT DOCUMENTS

- D318,852 S * 8/1991 Matsumoto D13/147
- D877,084 S * 3/2020 Buck D13/147

- D877,700 S * 3/2020 Buck D13/133
- D924,169 S * 7/2021 Buck D13/147
- 2005/0277221 A1* 12/2005 Mongold H01R 13/6587
438/83
- 2013/0059471 A1* 3/2013 Mongold H05K 1/0218
439/607.14
- 2013/0164987 A1* 6/2013 Mongold H01R 13/6477
439/626
- 2015/0038002 A1* 2/2015 Sabo H01R 4/2429
439/395

(Continued)

OTHER PUBLICATIONS

Buck et al., "Electrical Connector", U.S. Appl. No. 29/721,751, filed Jan. 23, 2020.

Primary Examiner — Shawn T Gingrich

(74) *Attorney, Agent, or Firm* — Keating & Bennett, LLP

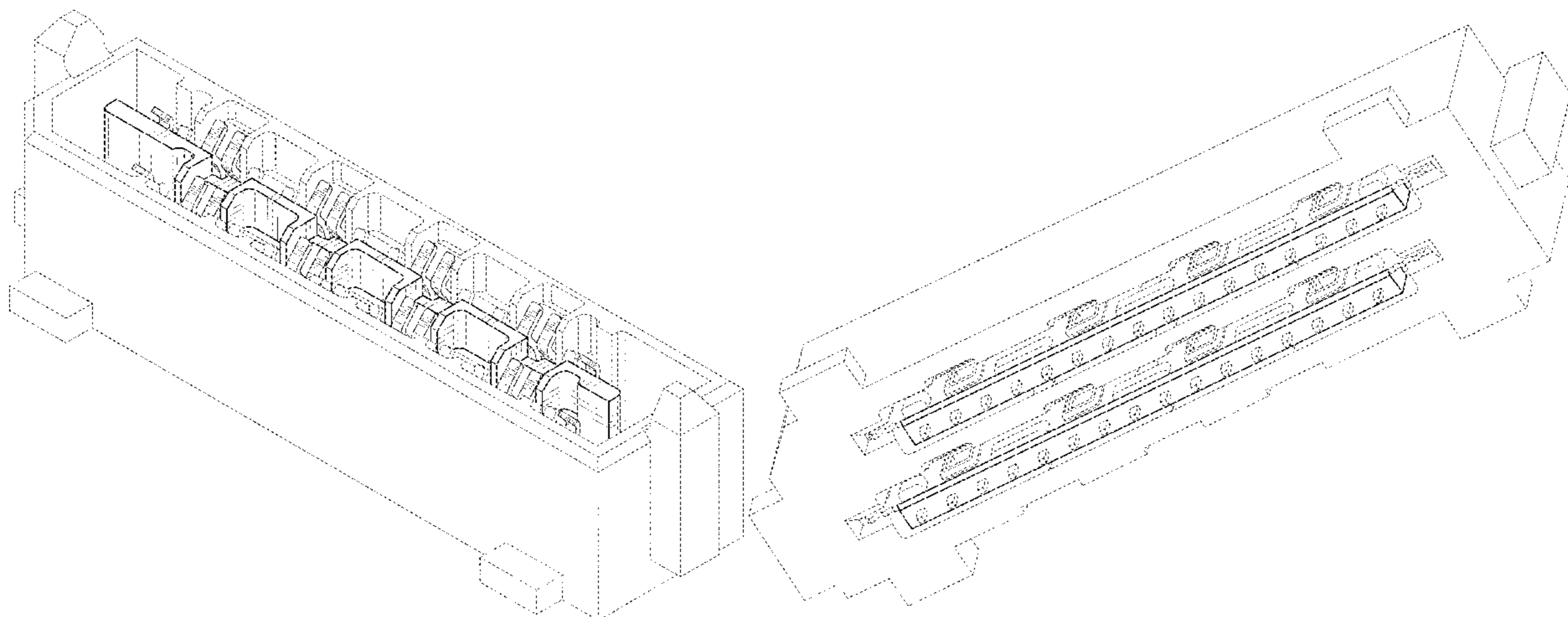
(57) **CLAIM**

The ornamental design for an electrical connector, as shown and described.

DESCRIPTION

FIG. 1 is a top, front, and right side perspective view of a an electrical connector showing our new design;
 FIG. 2 is a top, front, and left side perspective view thereof;
 FIG. 3 is a top, front, and left side perspective view thereof;
 FIG. 4 is bottom, front, and right side perspective view thereof;
 FIG. 5 is a top view thereof;
 FIG. 6 is a bottom view thereof;
 FIG. 7 is a front view thereof;
 FIG. 8 is a back view thereof;
 FIG. 9 is a left side view thereof; and,
 FIG. 10 is a right side view thereof.
 The broken lines in the drawing views are included to show portions of the electrical connector that form no part of the claimed design.

1 Claim, 10 Drawing Sheets



(56)

References Cited

U.S. PATENT DOCUMENTS

2015/0038018 A1* 2/2015 Matsuzawa H01R 13/518
439/638
2019/0288420 A1* 9/2019 Hashiguchi H01R 13/405
2020/0227840 A1* 7/2020 Ho H01R 43/20
2021/0126404 A1* 4/2021 Laurx H01R 12/7005

* cited by examiner

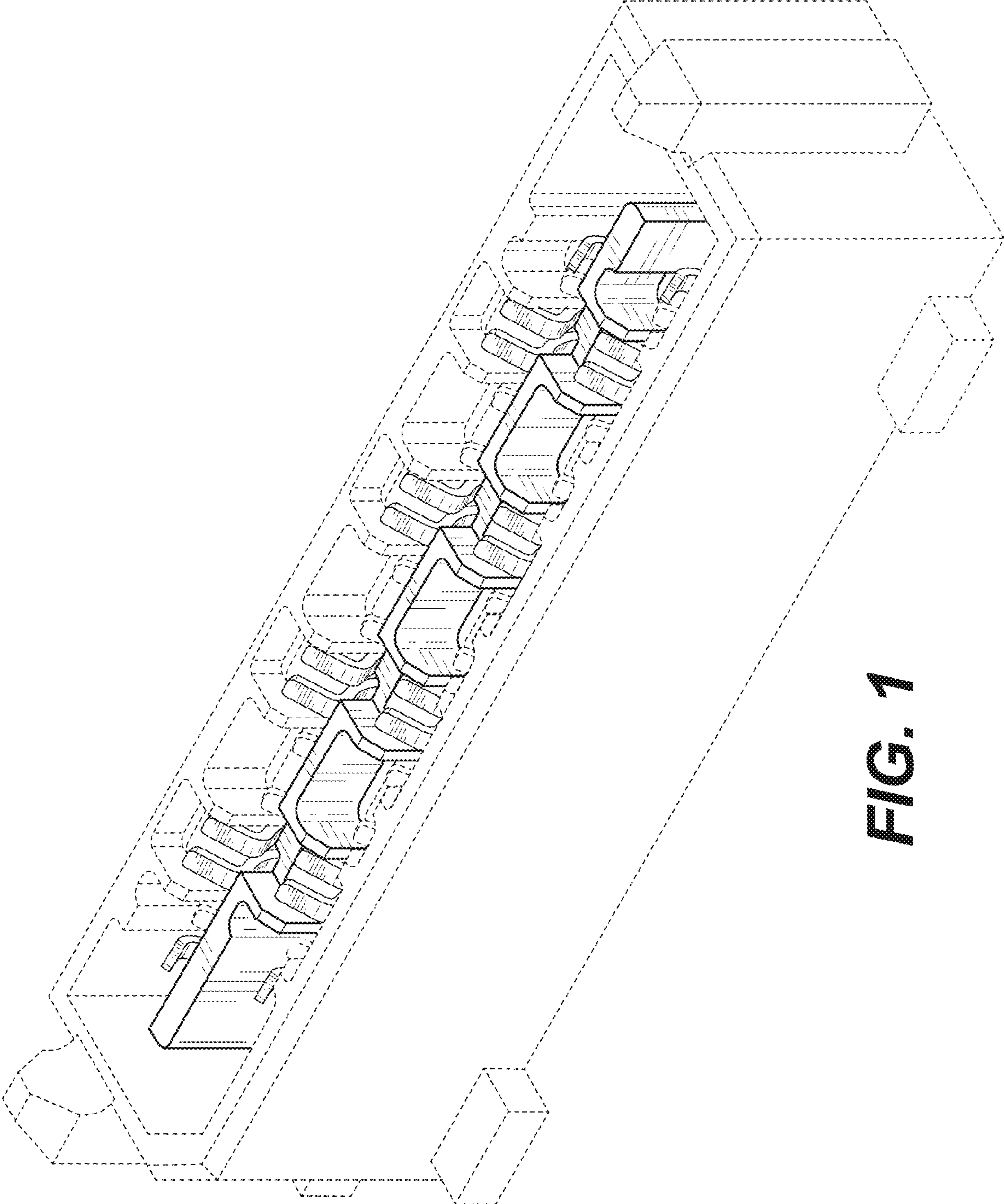


FIG. 1

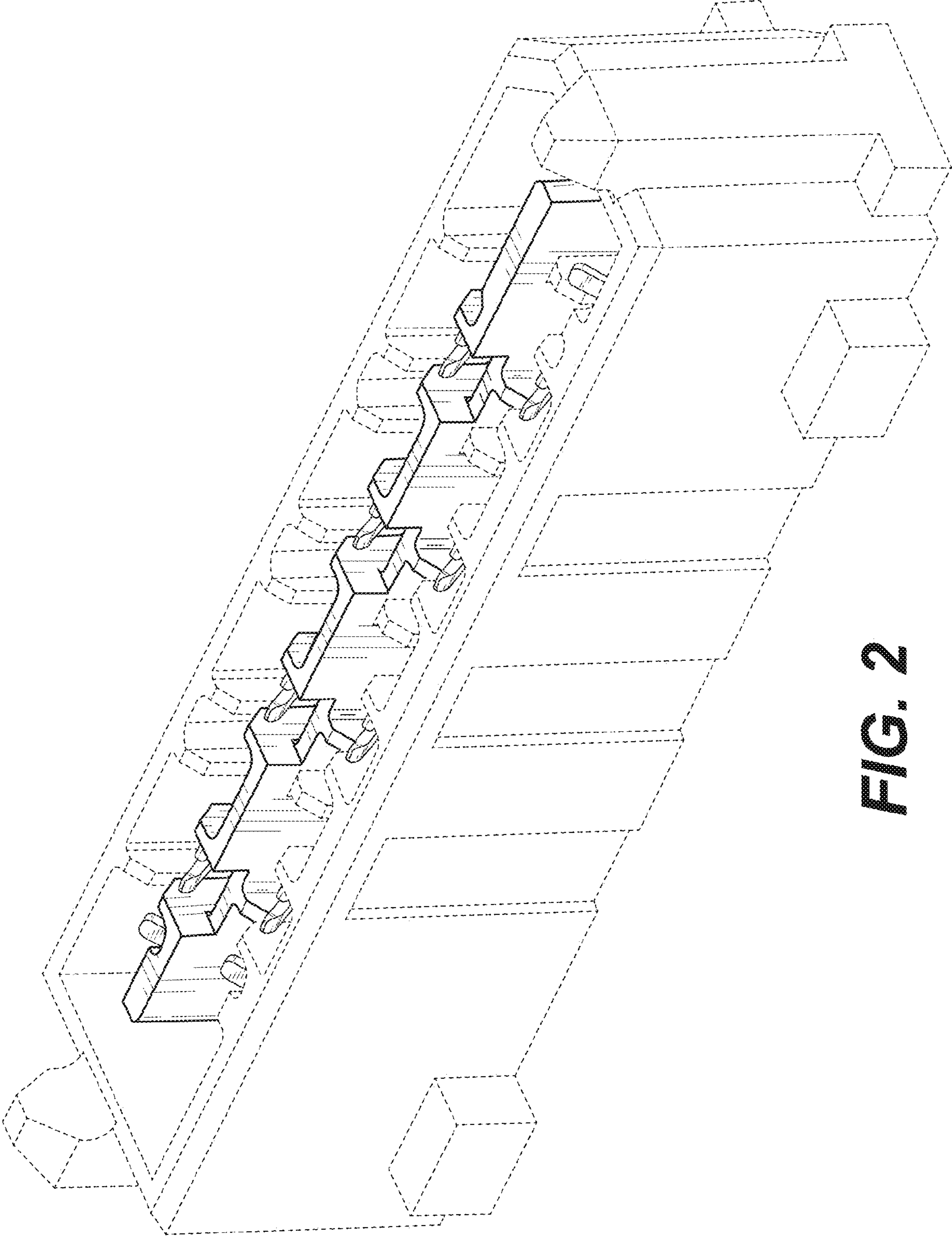


FIG. 2

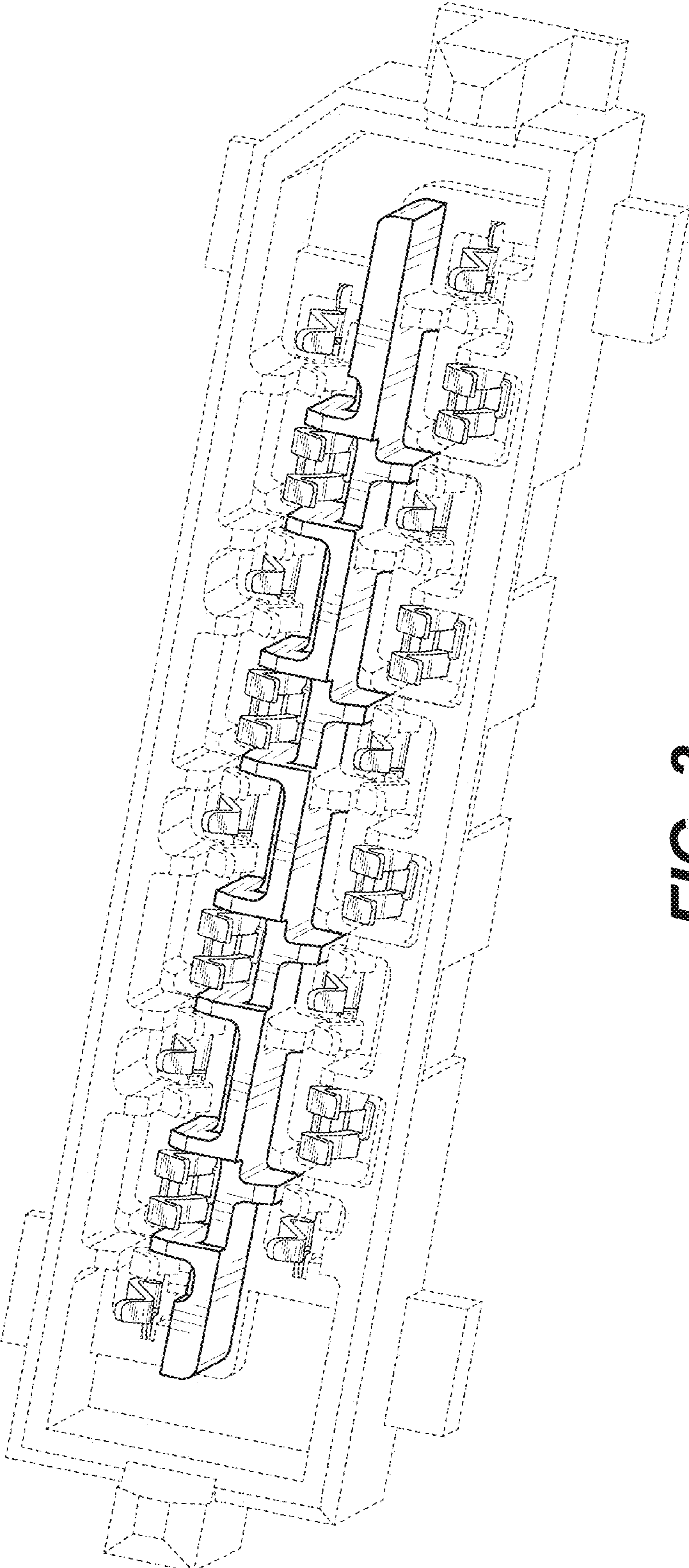


FIG. 3

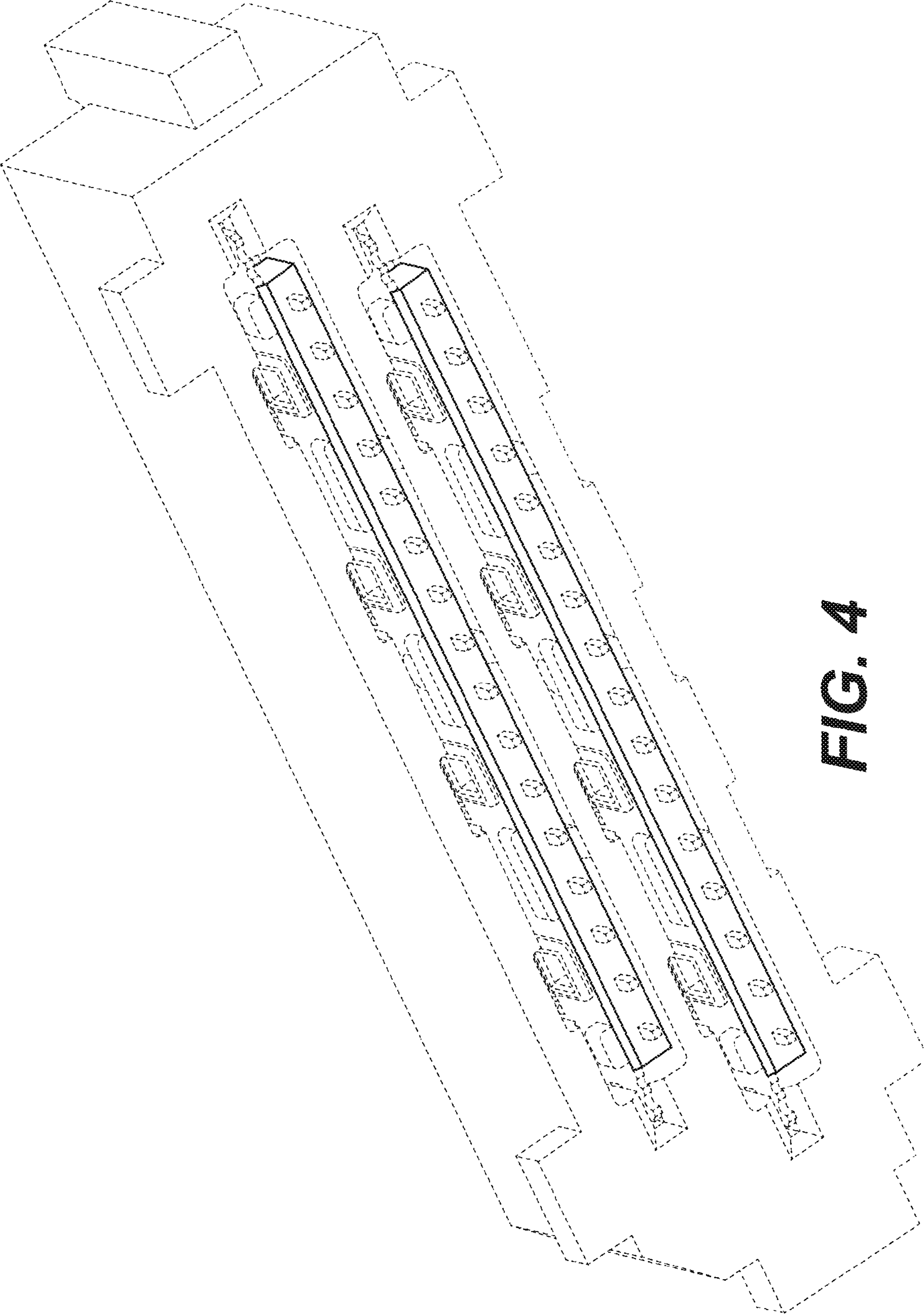


FIG. 4

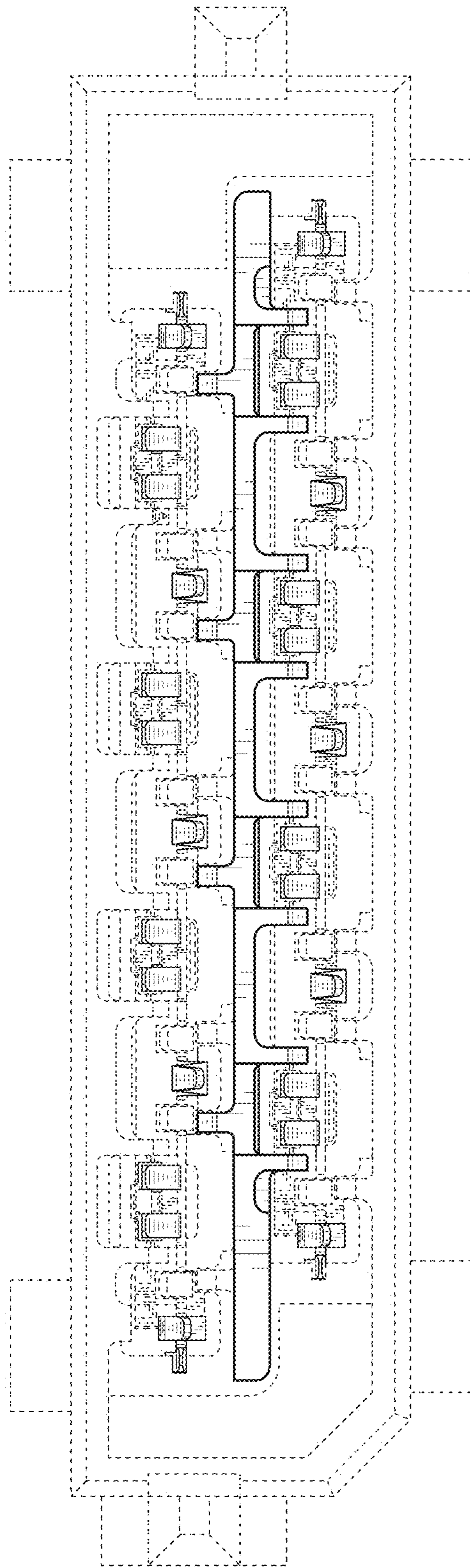


FIG. 5

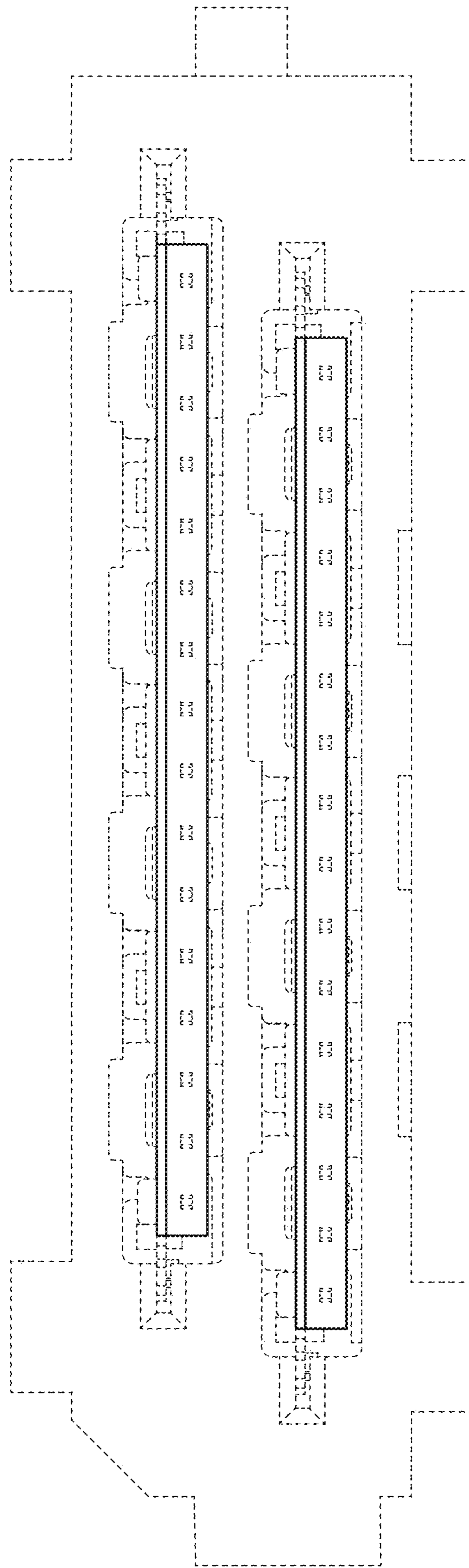


FIG. 6

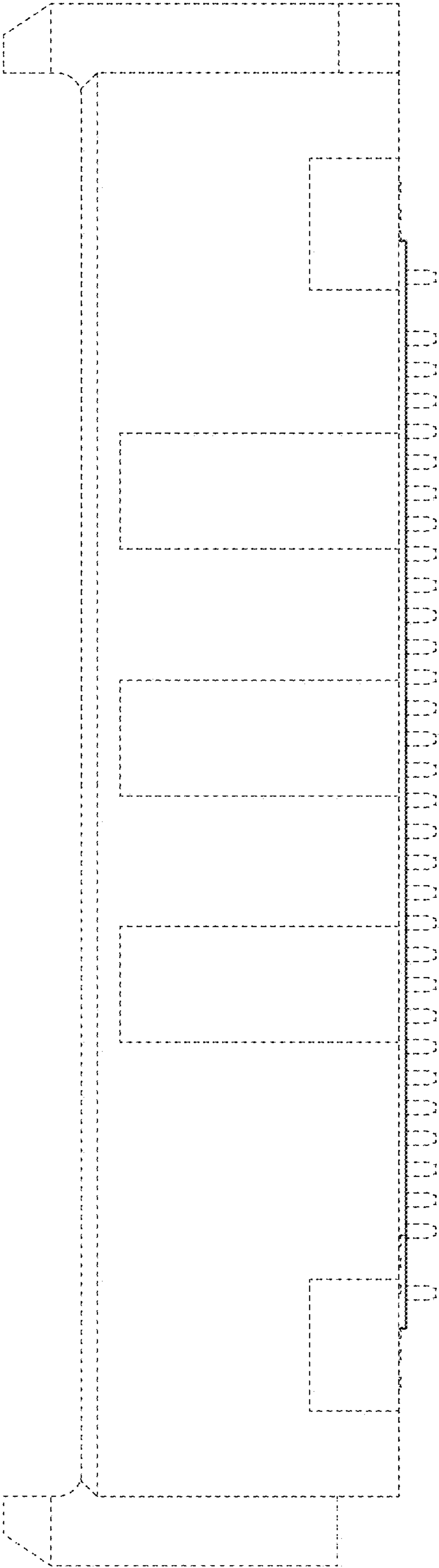


FIG. 7

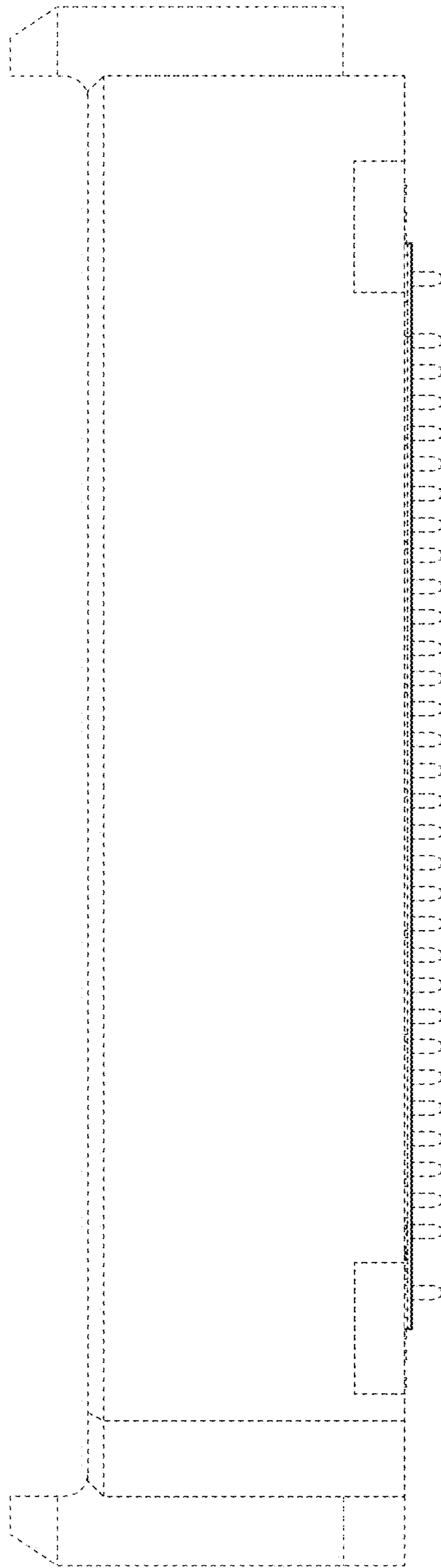


FIG. 8

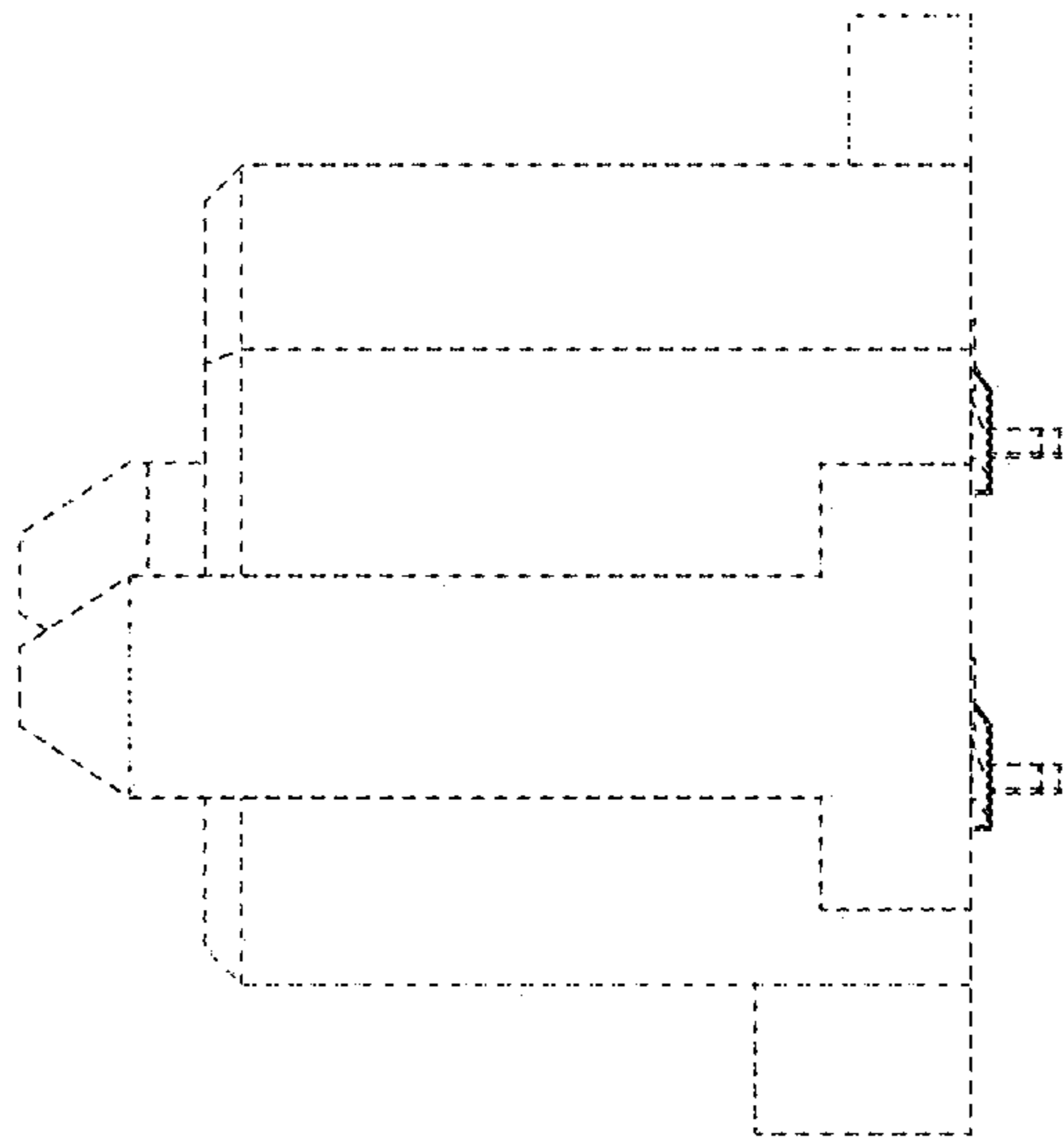


FIG. 9

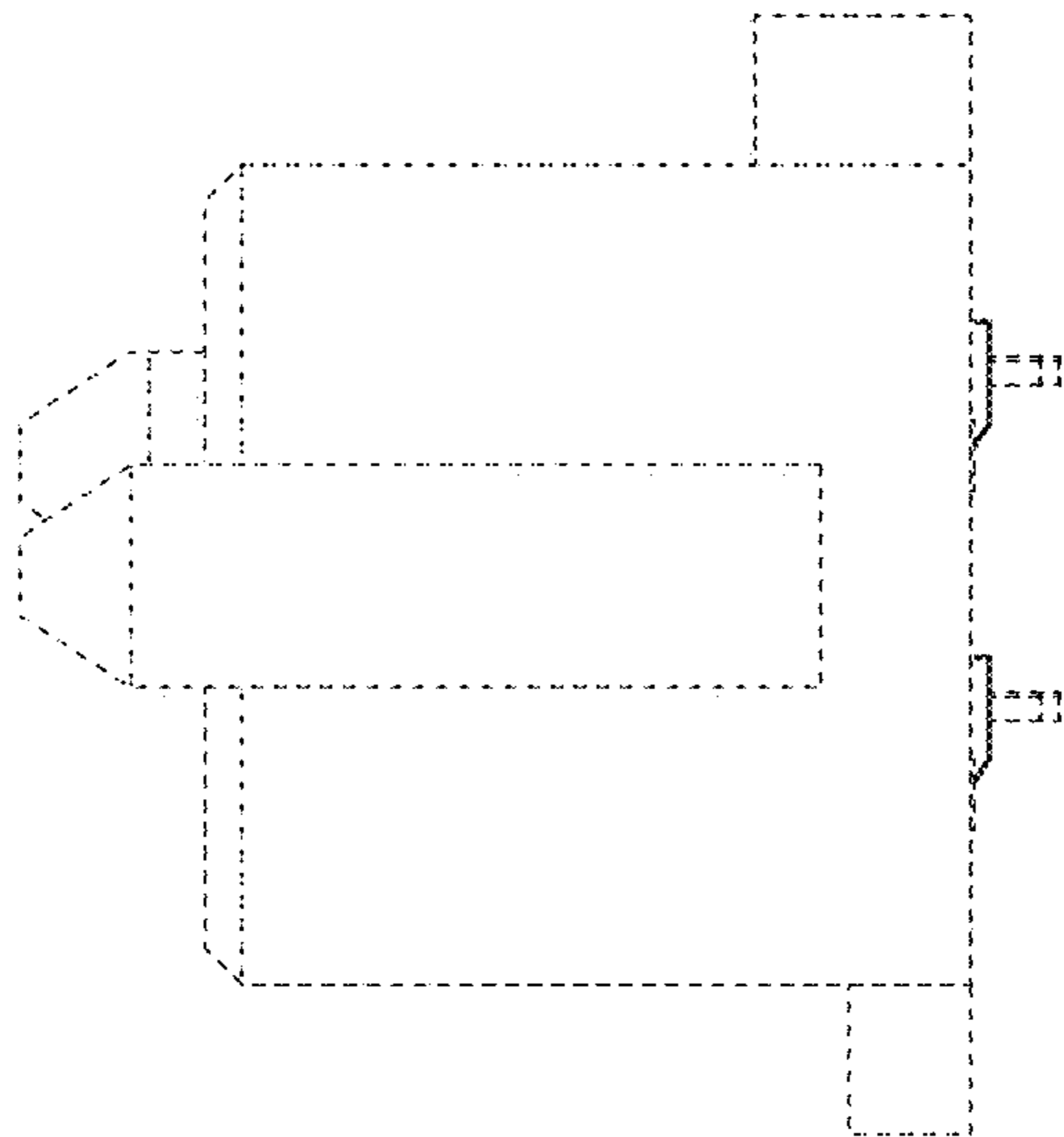


FIG. 10