



US00D941778S

(12) **United States Design Patent**  
**Schichl**

(10) **Patent No.:** **US D941,778 S**

(45) **Date of Patent:** **\*\* Jan. 25, 2022**

(54) **SOCKET FOR COAXIAL CABLES**

(71) Applicant: **Rosenberger Hochfrequenztechnik GmbH & Co. KG**, Fridolfing (DE)

(72) Inventor: **Markus Schichl**, Seekirchen (AT)

(\*\*) Term: **15 Years**

(21) Appl. No.: **29/762,247**

(22) Filed: **Dec. 15, 2020**

H02J 7/0013; H02J 7/0054; H02J 7/0055;  
H02J 7/0057; H02J 7/025; H02J 7/0042;  
H02J 7/0044; H02J 7/0045; H02J  
2007/0062; H01F 38/14; H01R 12/75;  
H01R 13/6675; H01R 13/426; H01R  
13/436; H01R 13/6592; H01R 13/504;  
H01R 13/516; H01R 24/84; H01R 24/38;  
H01R 24/52; H01R 11/30; H01R 12/716;  
H01R 13/04; H01R 13/2421; H01R  
13/2457; H01R 13/26; H01R 13/41;  
H01R 13/6205; B60L 11/182

See application file for complete search history.

**Related U.S. Application Data**

(62) Division of application No. 35/506,118, filed on May 28, 2018 (U.S. filing date under 35 U.S.C. 384), and having an international filing date of May 28, 2018, now abandoned.

**Foreign Application Priority Data**

Dec. 7, 2017 (DE) ..... 40-2017-101330.4

(51) **LOC (13) Cl.** ..... **13-03**

(52) **U.S. Cl.**  
USPC ..... **D13/147**

**Field of Classification Search**

USPC ..... D13/147, 154, 120, 133, 108, 118, 146,  
D13/149, 174, 138.2; D14/433, 480.5,  
D14/357; D22/108; D24/129  
CPC ..... Y02E 60/10; Y02E 60/12; Y02E 60/122;  
Y02E 60/124; Y02E 60/50; Y02T 90/14;  
Y02T 90/122; Y02T 90/128; Y02T  
90/163; Y10S 439/941; H01M 2/02;  
H01M 2/022; H01M 2/0202; H01M  
2/0207; H01M 2/0212; H01M 2/1061;  
H01M 2/1022; H01M 2/1055; H01M  
2/1066; H01M 2/105; H01M 2/20; H01M  
2/202; H01M 2/204; H01M 2/206; H01M  
10/44; H01M 10/46; H01M 10/465;  
H01M 10/482; H01M 10/425; H01M  
2200/30; H01M 2250/30; H01M 2250/40;  
H02J 7/00; H02J 7/0003; H02J 7/0011;

(56) **References Cited**

**U.S. PATENT DOCUMENTS**

|           |      |         |                     |                      |
|-----------|------|---------|---------------------|----------------------|
| D349,099  | S *  | 7/1994  | Robertson, Jr. .... | D13/147              |
| D413,104  | S *  | 8/1999  | Curtis .....        | D13/147              |
| D691,563  | S *  | 10/2013 | Yong .....          | D13/147              |
| 8,696,366 | B2 * | 4/2014  | Chen .....          | H01R 11/30<br>439/39 |
| D712,836  | S *  | 9/2014  | Lee .....           | D13/133              |
| D734,264  | S *  | 7/2015  | Jordan .....        | D13/133              |
| D743,340  | S *  | 11/2015 | Marshall .....      | D13/147              |
| 9,343,835 | B2 * | 5/2016  | Sasaki .....        | H01R 13/2457         |
| D769,194  | S *  | 10/2016 | Greig .....         | D13/147              |

(Continued)

*Primary Examiner* — Nathaniel D. Buckner

(74) *Attorney, Agent, or Firm* — Fay Sharpe LLP

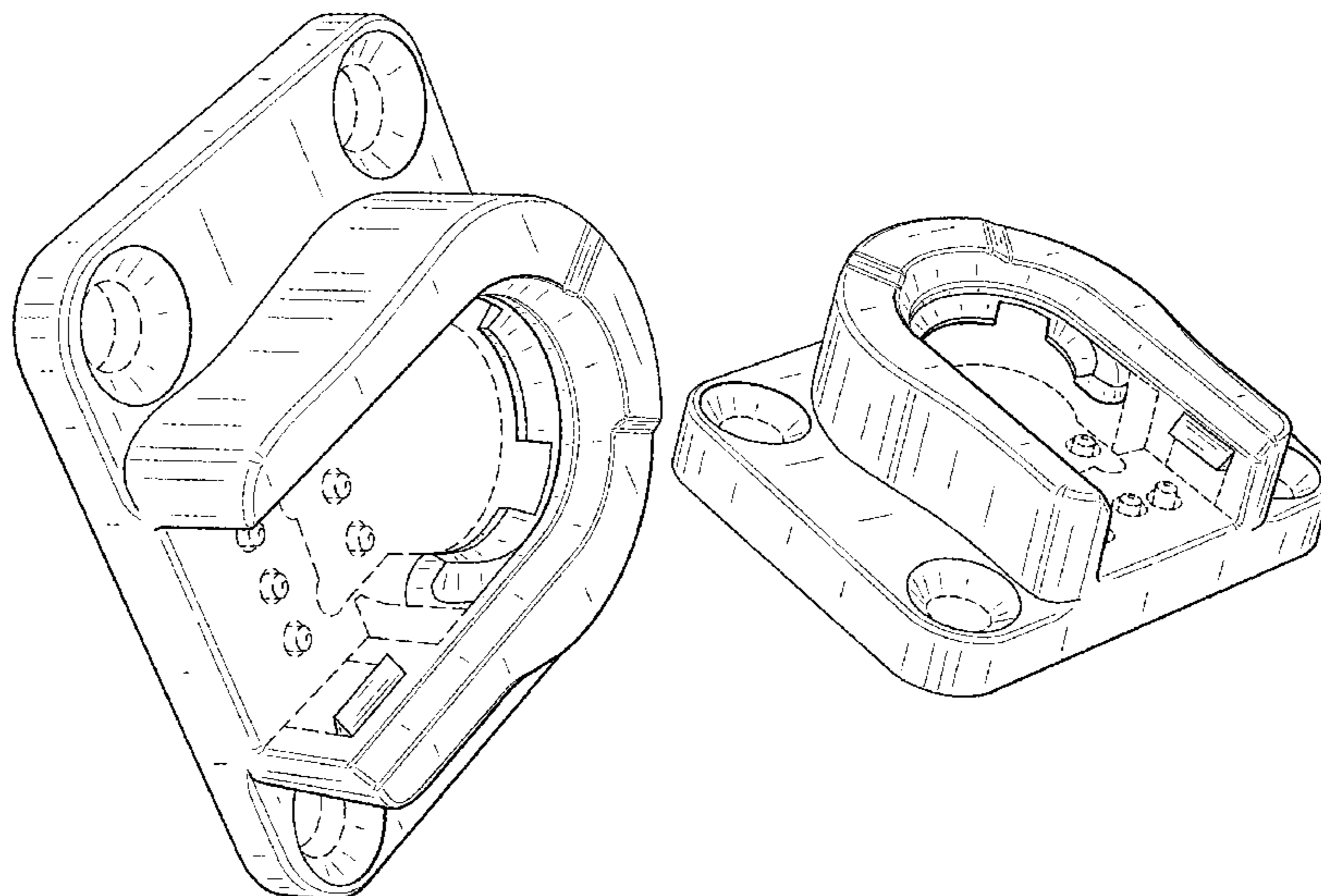
(57) **CLAIM**

The ornamental design for a socket for coaxial cables, as shown and described.

**DESCRIPTION**

FIG. 1 is a top right front perspective view of a socket for coaxial cables showing my new design; and, FIG. 2 is a second top right front perspective view thereof. The broken lines depict portions of the socket that form no part of the claimed design.

**1 Claim, 2 Drawing Sheets**



(56)

**References Cited**

U.S. PATENT DOCUMENTS

D769,823 S \* 10/2016 Qu ..... D13/147  
D772,231 S \* 11/2016 Lee ..... D13/133  
D837,158 S \* 1/2019 Thoni ..... D13/133  
D852,748 S \* 7/2019 Liu ..... D13/138.2

\* cited by examiner

Figure 1

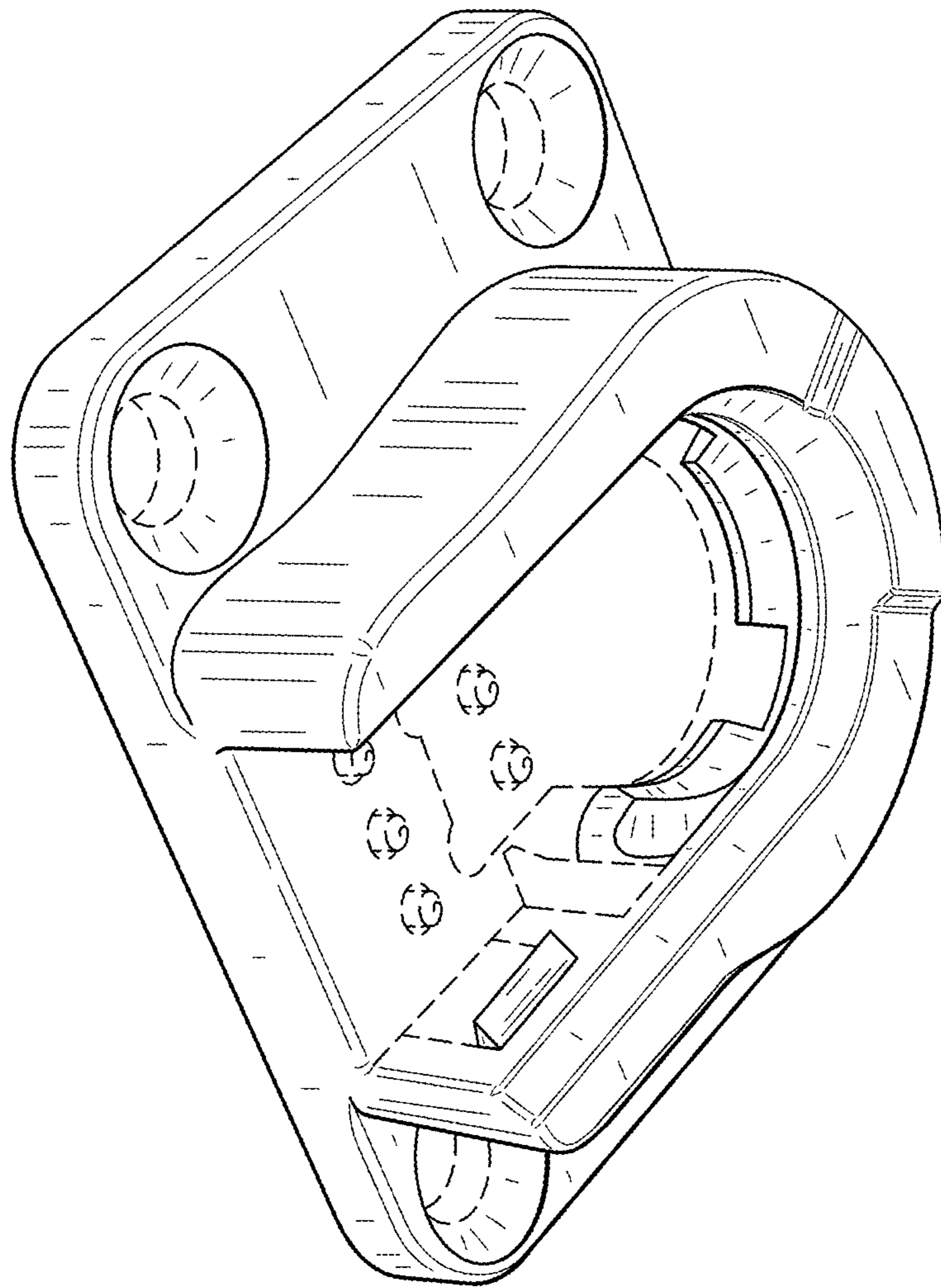


Figure 2

