



US00D941777S

(12) **United States Design Patent**  
**Chen**

(10) **Patent No.:** **US D941,777 S**

(45) **Date of Patent:** **\*\* Jan. 25, 2022**

(54) **PLUG**

(71) Applicant: **Peihao Chen**, Shenzhen (CN)

(72) Inventor: **Peihao Chen**, Shenzhen (CN)

(\*\*) Term: **15 Years**

(21) Appl. No.: **29/747,666**

(22) Filed: **Aug. 24, 2020**

(51) **LOC (13) Cl.** ..... **13-03**

(52) **U.S. Cl.**  
USPC ..... **D13/147**

(58) **Field of Classification Search**

USPC ..... D13/101, 103, 107, 108, 110, 118, 119,  
D13/120, 133, 137.1, 138.1, 138.2, 146,  
D13/147, 151, 156, 184, 199; D14/432,  
D14/433, 434

CPC ..... H01R 13/52; H01R 13/56; H01R 13/405;  
H01R 13/447; H01R 13/717; H01R  
13/5202; H01R 13/5227; H01R 13/6272;  
H01R 13/6277; H01R 11/00; H01R  
11/24; H02J 7/00; H02J 7/0045; H02J  
7/0052; Y02T 90/14; Y02T 10/7072

See application file for complete search history.

(56) **References Cited**

U.S. PATENT DOCUMENTS

D520,459 S *	5/2006	Kent	.....	D13/156
D593,959 S *	6/2009	Victor	.....	D13/156
D603,800 S *	11/2009	Zhao	.....	D13/147
D622,664 S *	8/2010	Lin	.....	D13/147
D622,666 S *	8/2010	Lin	.....	D13/147
D791,075 S *	7/2017	Kim	.....	D13/107

\* cited by examiner

*Primary Examiner* — Derrick E Holland

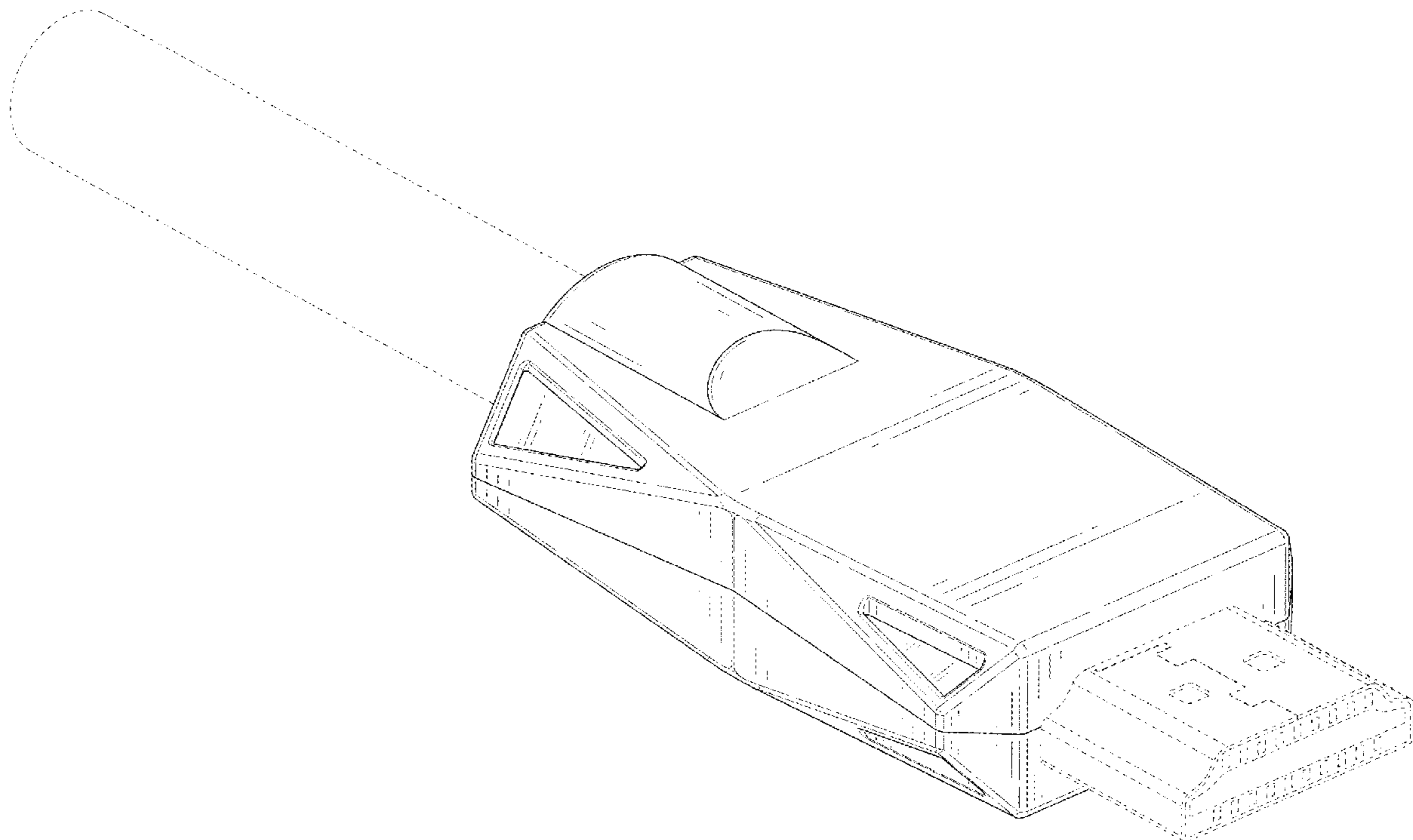
(57) **CLAIM**

The ornamental design for a plug, as shown and described.

**DESCRIPTION**

FIG. 1 is a perspective view of a plug showing my new design;  
FIG. 2 is another perspective view thereof;  
FIG. 3 is a front elevational view thereof;  
FIG. 4 is a rear elevational view thereof;  
FIG. 5 is a left side elevational view thereof;  
FIG. 6 is a right side elevational view thereof;  
FIG. 7 is a top plan view thereof; and,  
FIG. 8 is a bottom plan view thereof.  
The broken lines in the drawings depict portions of the plug that form no part of the claimed design.

**1 Claim, 8 Drawing Sheets**



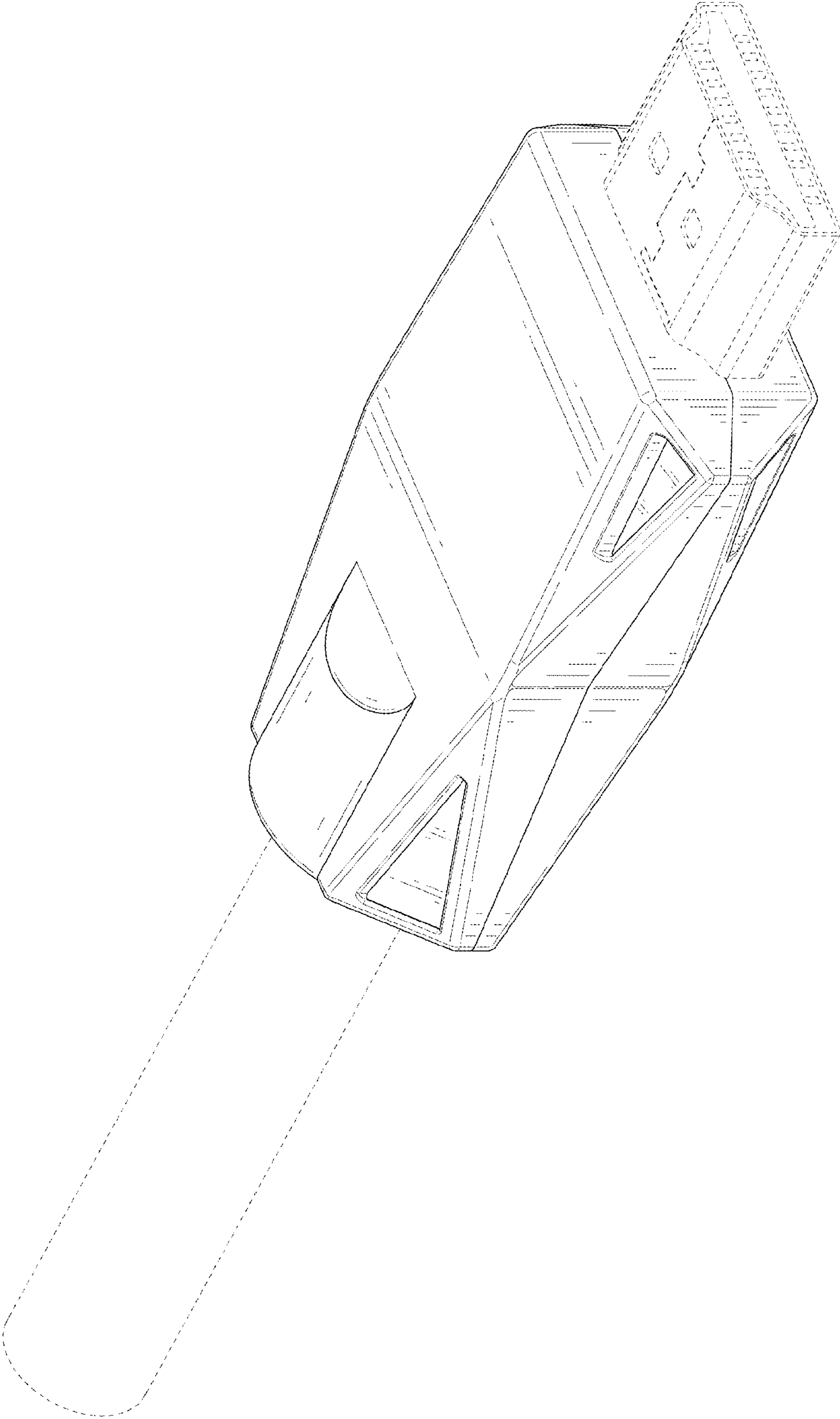


FIG. 1

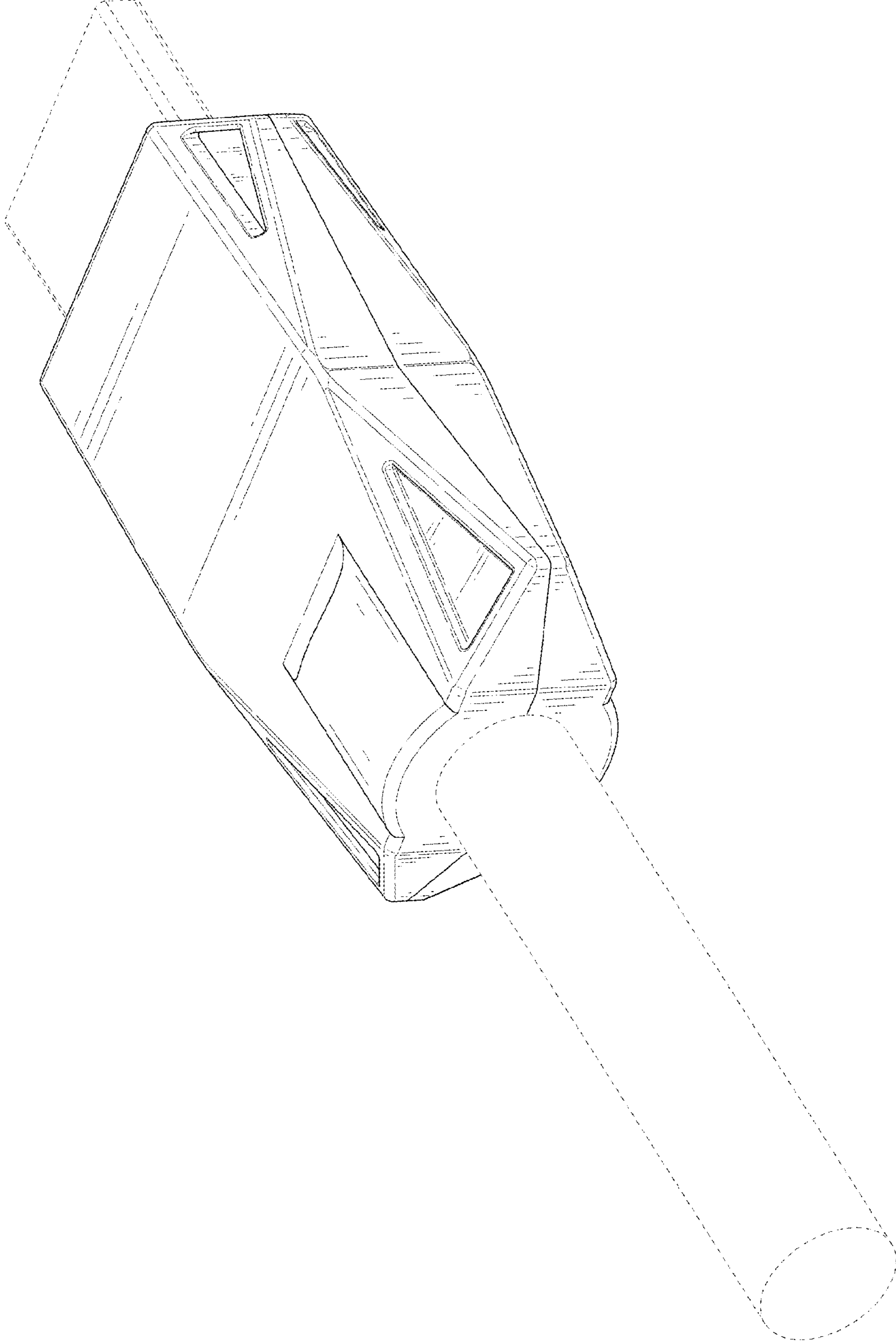


FIG. 2

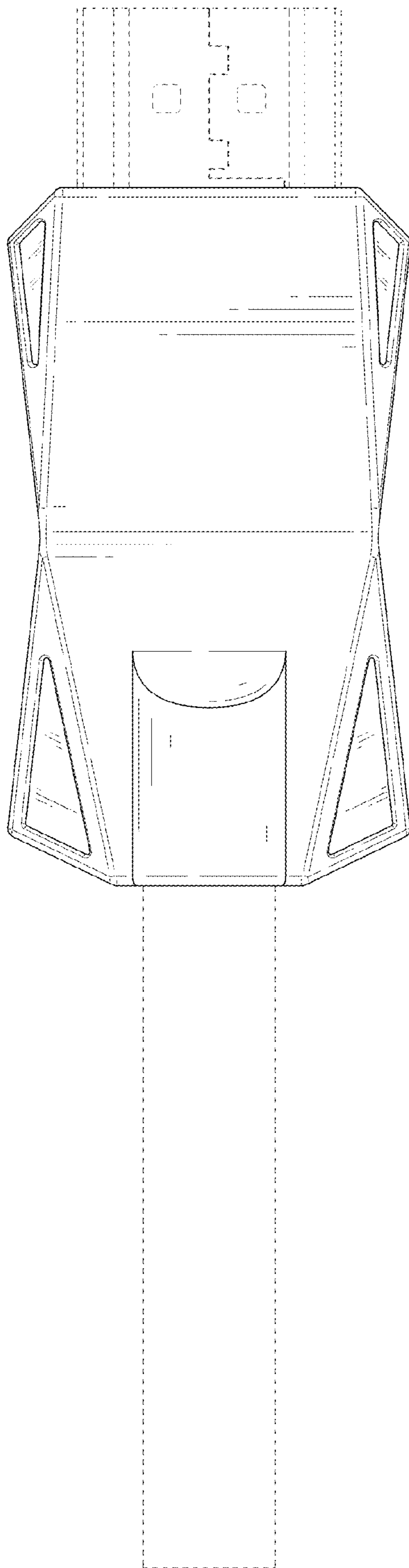


FIG. 3

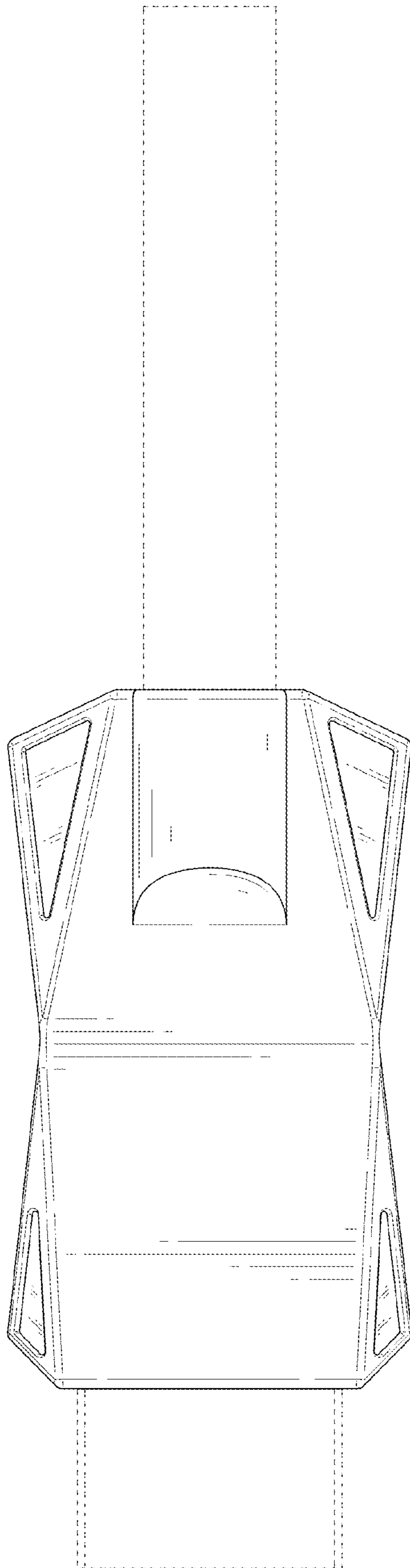


FIG. 4

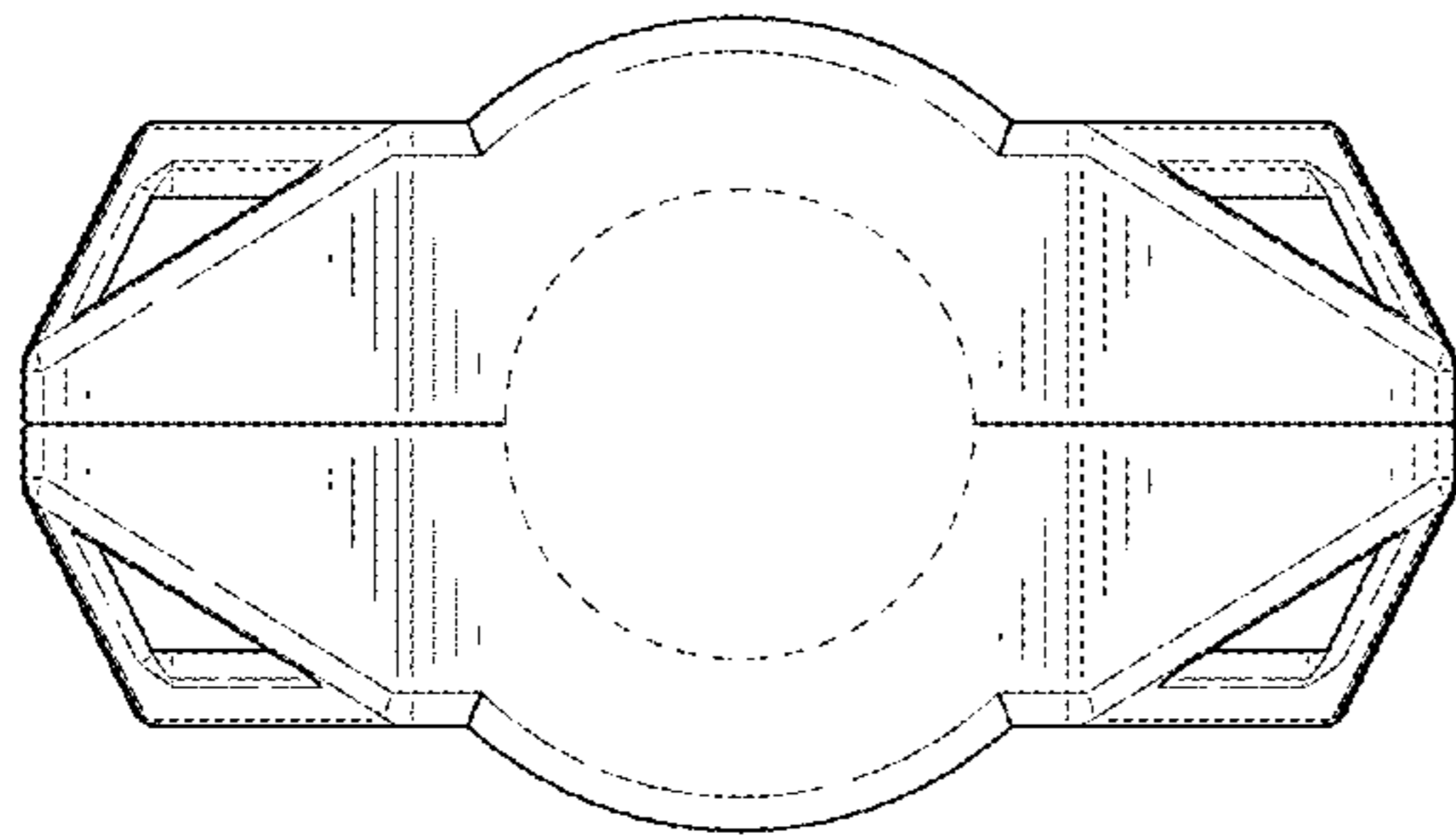


FIG. 5

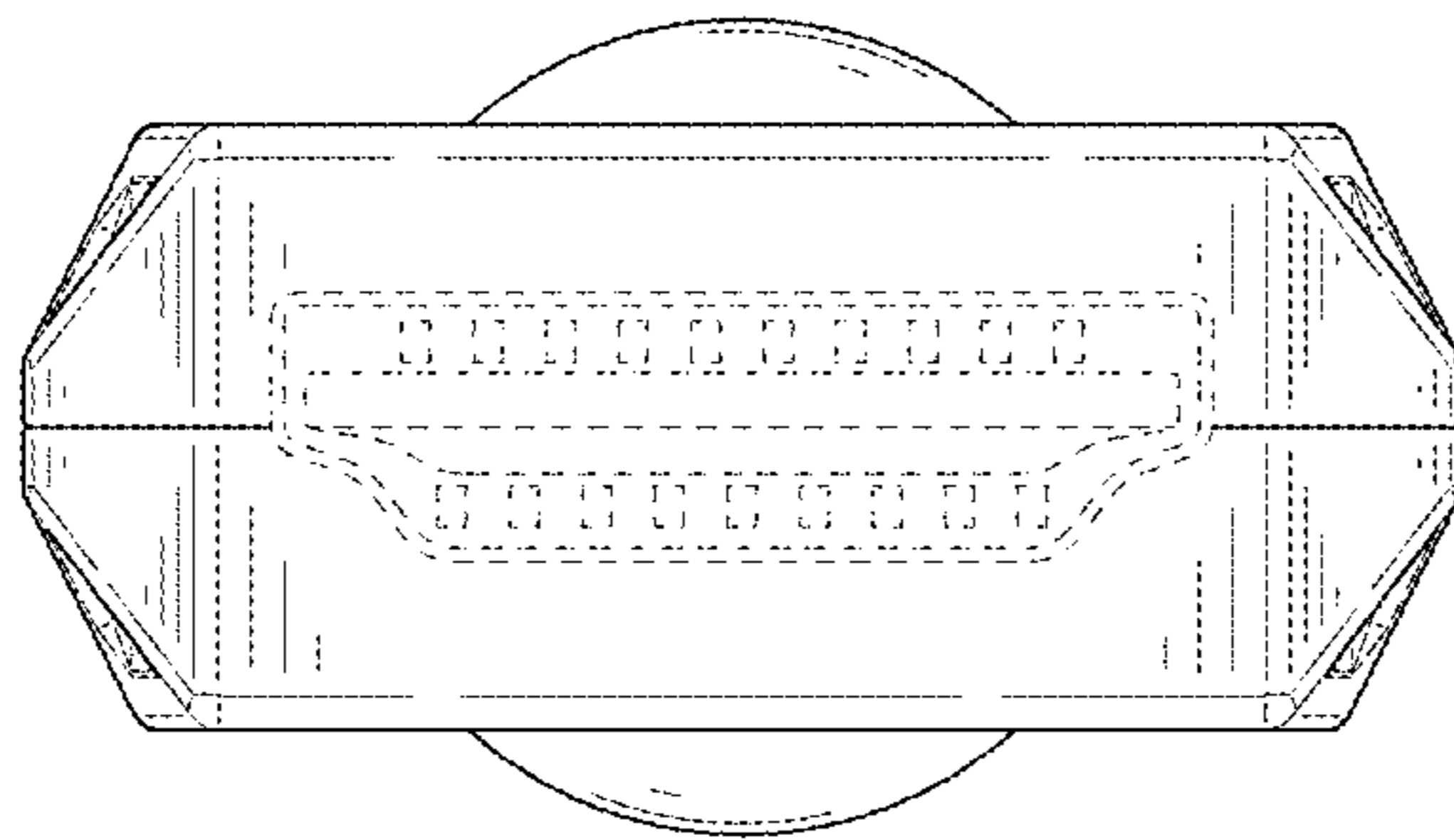


FIG. 6



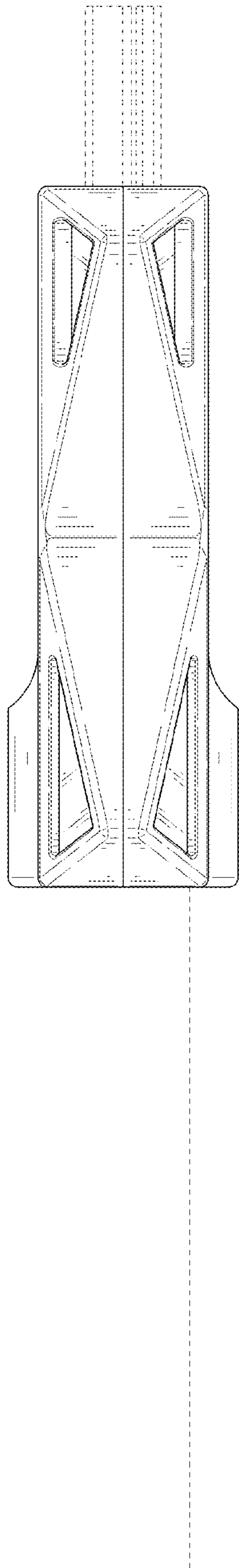


FIG. 7



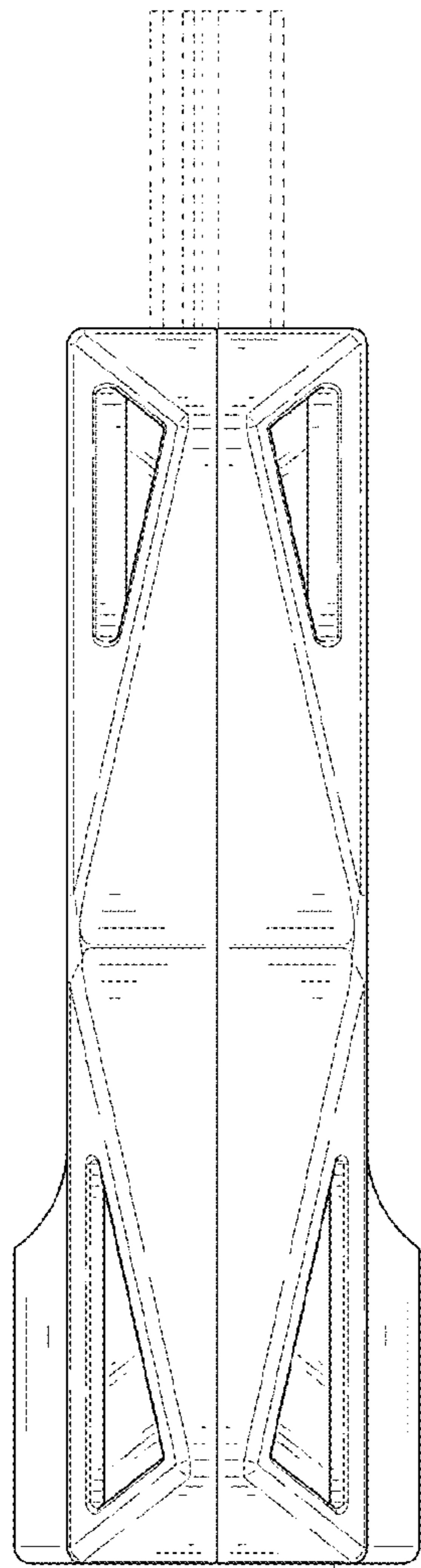


FIG. 8