



US00D941774S

(12) **United States Design Patent** (10) **Patent No.:** **US D941,774 S**
Tao (45) **Date of Patent:** **** Jan. 25, 2022**

(54) **POWER STRIP**

FOREIGN PATENT DOCUMENTS

(71) Applicant: **Shenzhen Yuechen Technology Co., Ltd**, Shenzhen (CN)
(72) Inventor: **Yuebo Tao**, Shenzhen (CN)
(73) Assignee: **Shenzhen Yuechen Technology Co., Ltd**, Shenzhen (CN)

CN 306336054 * 2/2021
CN 306421938 * 3/2021
GB 6090783 * 5/2020
GB 6097887 * 8/2020

(Continued)

(**) Term: **15 Years**
(21) Appl. No.: **29/720,518**

(22) Filed: **Jan. 14, 2020**

(51) **LOC (13) Cl.** **13-03**

(52) **U.S. Cl.**
USPC **D13/139.6**

(58) **Field of Classification Search**
USPC ... D13/110, 133, 137.1, 137.2, 137.3, 137.4, D13/138.1, 138.2, 139.1, 139.2, 139.3, D13/139.4, 139.5, 139.6, 139.7, 139.8, D13/152, 199; D14/433; D8/350, 353
CPC H01R 35/04; H01R 2103/00; H01R 31/06; H01R 31/005; H01R 2201/06; H01R 13/665; H01R 13/7135; H01R 13/652; H01R 13/506; H01R 13/514; H01R 13/518; H01R 13/6272; H01R 13/46; G06F 13/4022; G06F 13/382; G06F 1/1632; G06F 1/1684; G06F 1/20; G06F 1/1607; H02G 3/088; H02J 7/00043; H02J 7/0021; H02J 7/0026; H02J 7/0027; H02J 7/0045

See application file for complete search history.

(56) **References Cited**

U.S. PATENT DOCUMENTS

D807,828 S * 1/2018 Xu D13/137.2
D808,906 S * 1/2018 Tinaphong D13/137.2
D826,159 S * 8/2018 Tao D13/137.2
D871,344 S * 12/2019 Lyu D13/139.8
D878,299 S * 3/2020 Lyu D13/139.8

OTHER PUBLICATIONS

“Power Strip with USB, TROND Surge Protector Flat Plug with 4 Widely-Spaced Outlets, 3 USB Ports, 1440J Protection, Wall Mountable, 5ft Extension Cord, Compact for Desk Home Dorm Room, White”, first accessed Jun. 29, 2021. Amazon.com [https://www.amazon.com/TROND-Protector-Widely-Spaced-Outlets-Extension/dp/B08CTHF7JZ/ref=sr_1_25?dchild=1&keywords=power+strip&qid=%E2%80%A6] (Year: 2021).*

(Continued)

Primary Examiner — Rosemary K Tarcza
Assistant Examiner — Seth David Kumpf
(74) *Attorney, Agent, or Firm* — ScienBiziP, P.C.

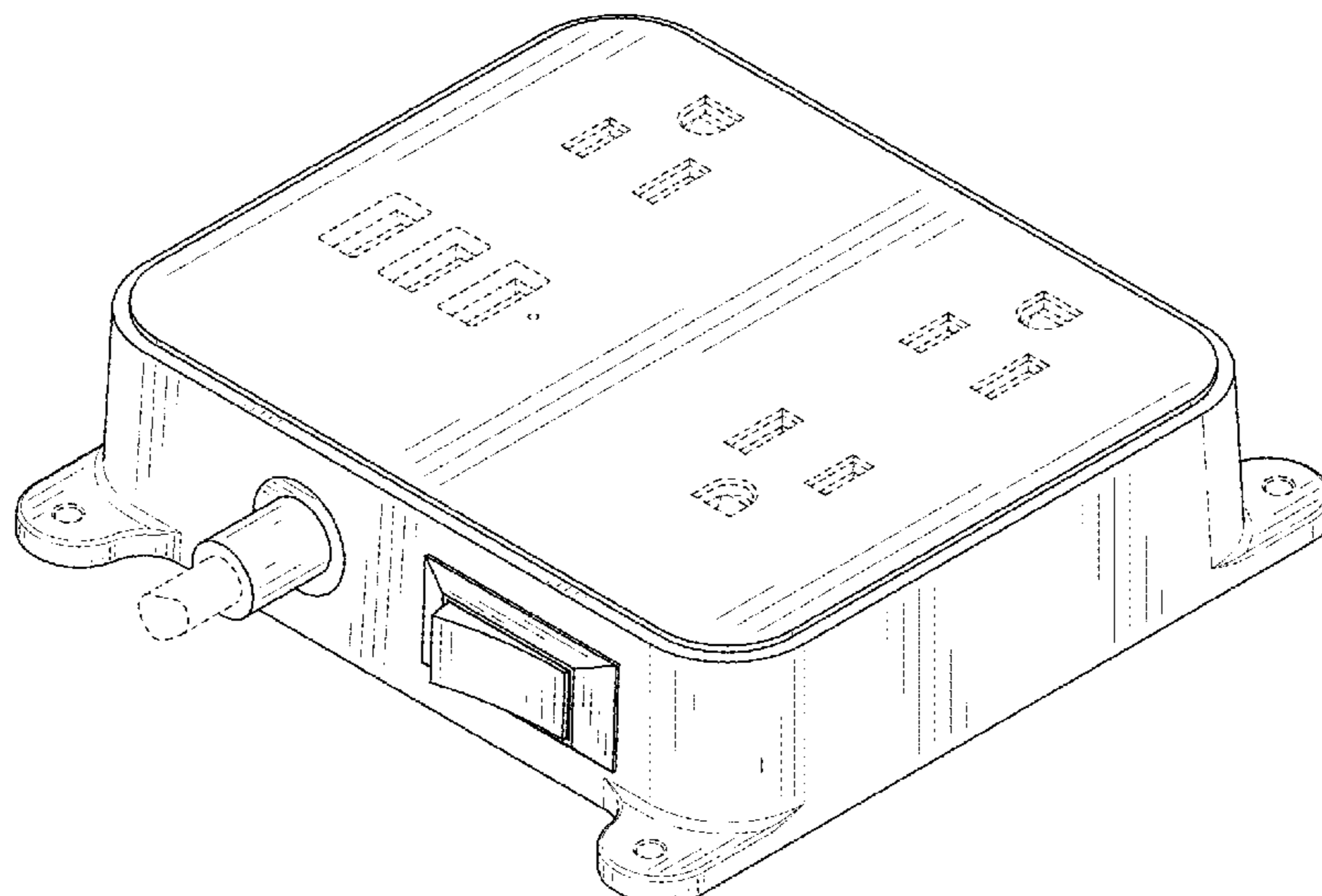
(57) **CLAIM**

The ornamental design for a power strip, as shown and described.

DESCRIPTION

FIG. 1 is a bottom, front, right side perspective view of a power strip, showing my design.
FIG. 2 is a top, rear, left side perspective view thereof.
FIG. 3 is a front elevation view thereof.
FIG. 4 is a rear elevation view thereof.
FIG. 5 is a left side elevation view thereof.
FIG. 6 is a right side elevation view thereof.
FIG. 7 is a top plan view thereof; and,
FIG. 8 is a bottom plan view thereof.
The broken lines shown in the drawings are for the purpose of illustrating portions of the power strip that form no part of the claimed design.

1 Claim, 8 Drawing Sheets



(56)

References Cited

FOREIGN PATENT DOCUMENTS

GB	6106384	* 11/2020
GB	6110053	* 12/2020
GB	6115167	* 1/2021

OTHER PUBLICATIONS

“POWERADD Power Strip with USB C Power Delivery 18W, Travel Power Strip with 3 Outlets, 18W USB C & QC 3.0 USB A Port, 5ft Cord, Flat Plug for Cruise Ship, Hotel, Dorm Room and Home”, first available May 25, 2020. Amazon.com [https://www.amazon.com/POWERADD-Delivery-Travel-Portable-Outlets/dp/B0894RCQBG/ref=sr_1_33_sspa?dchild=1&keywords=power+strip&qid=%E2%80%A6] (Year: 2020).*

* cited by examiner

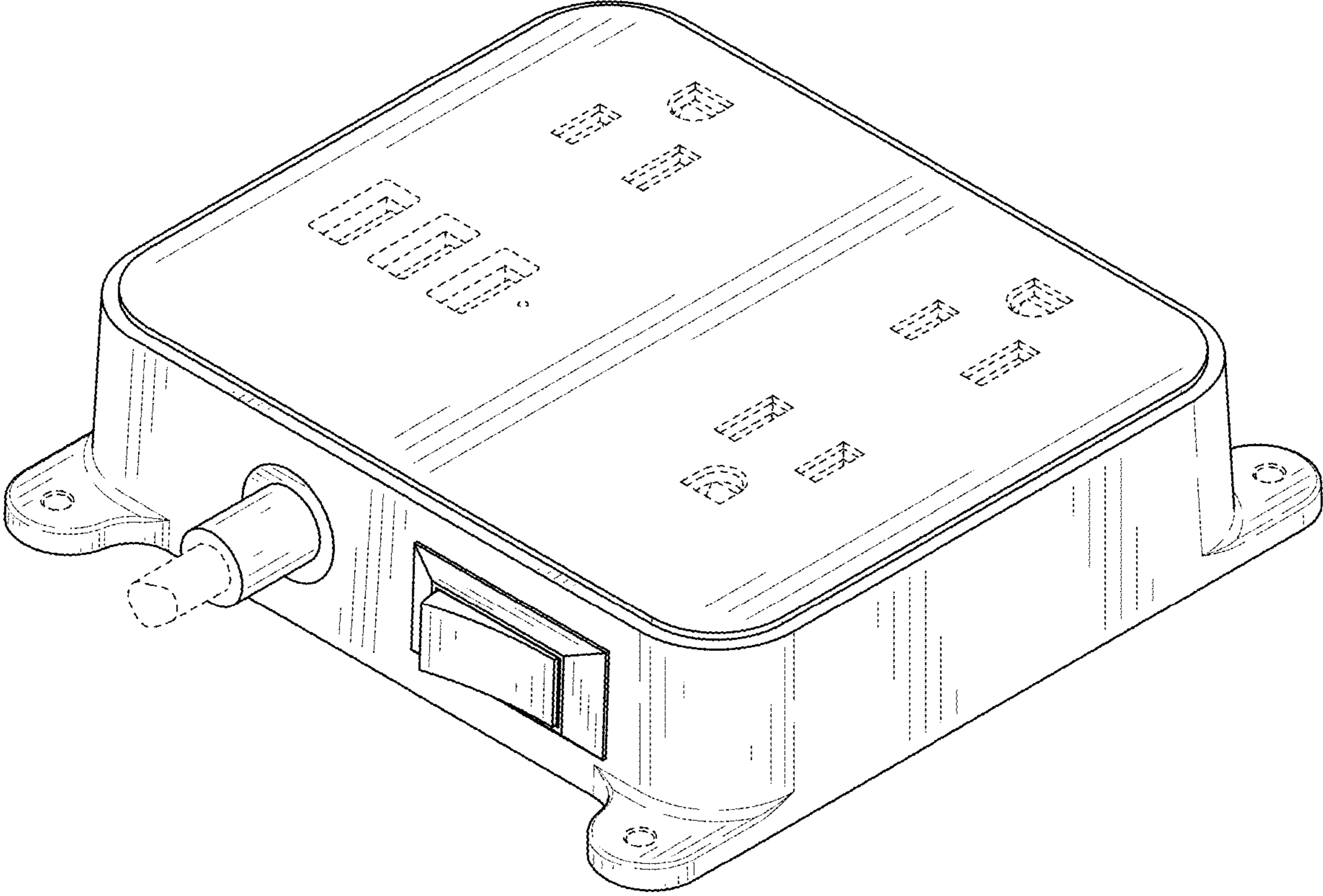


FIG. 1

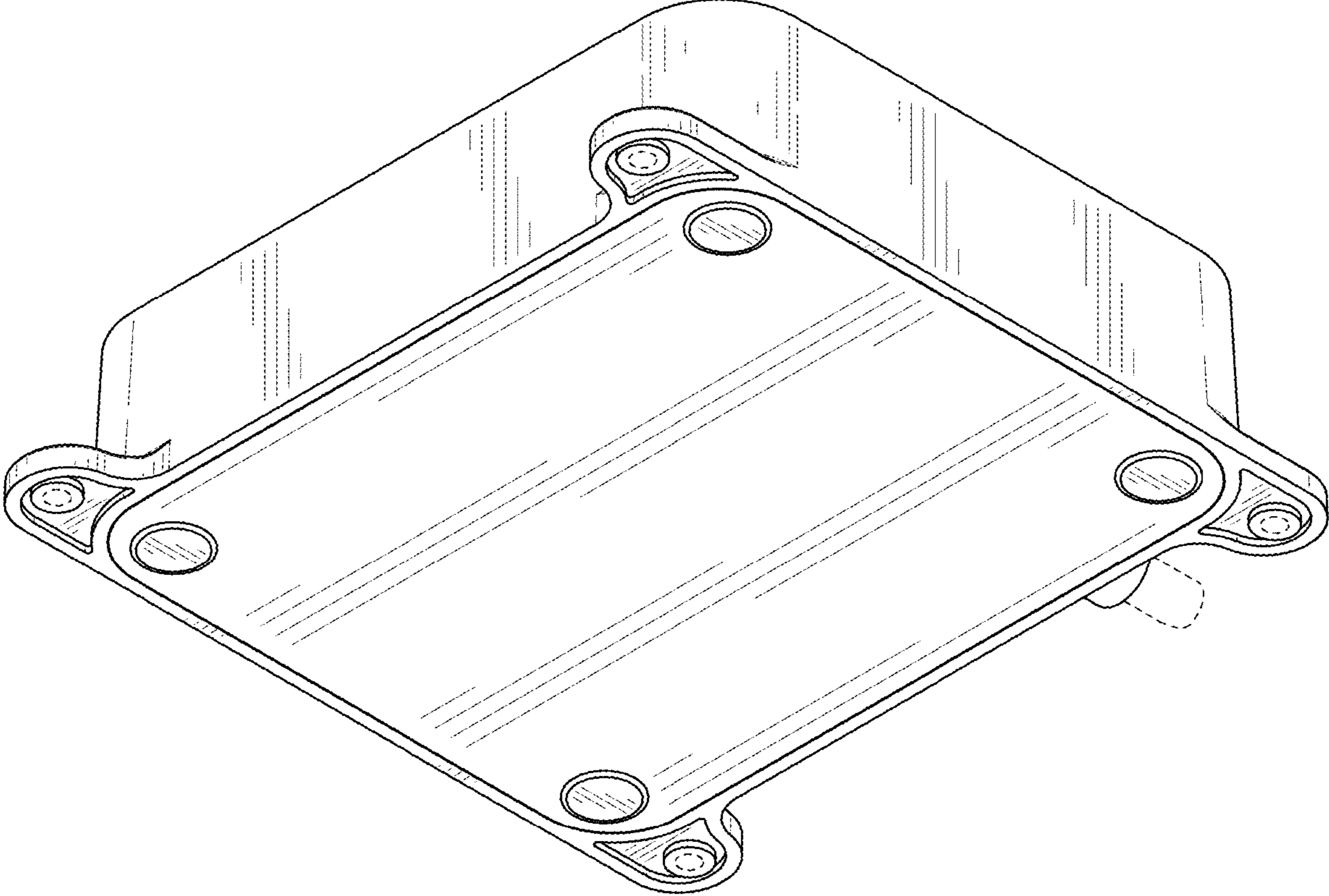


FIG. 2

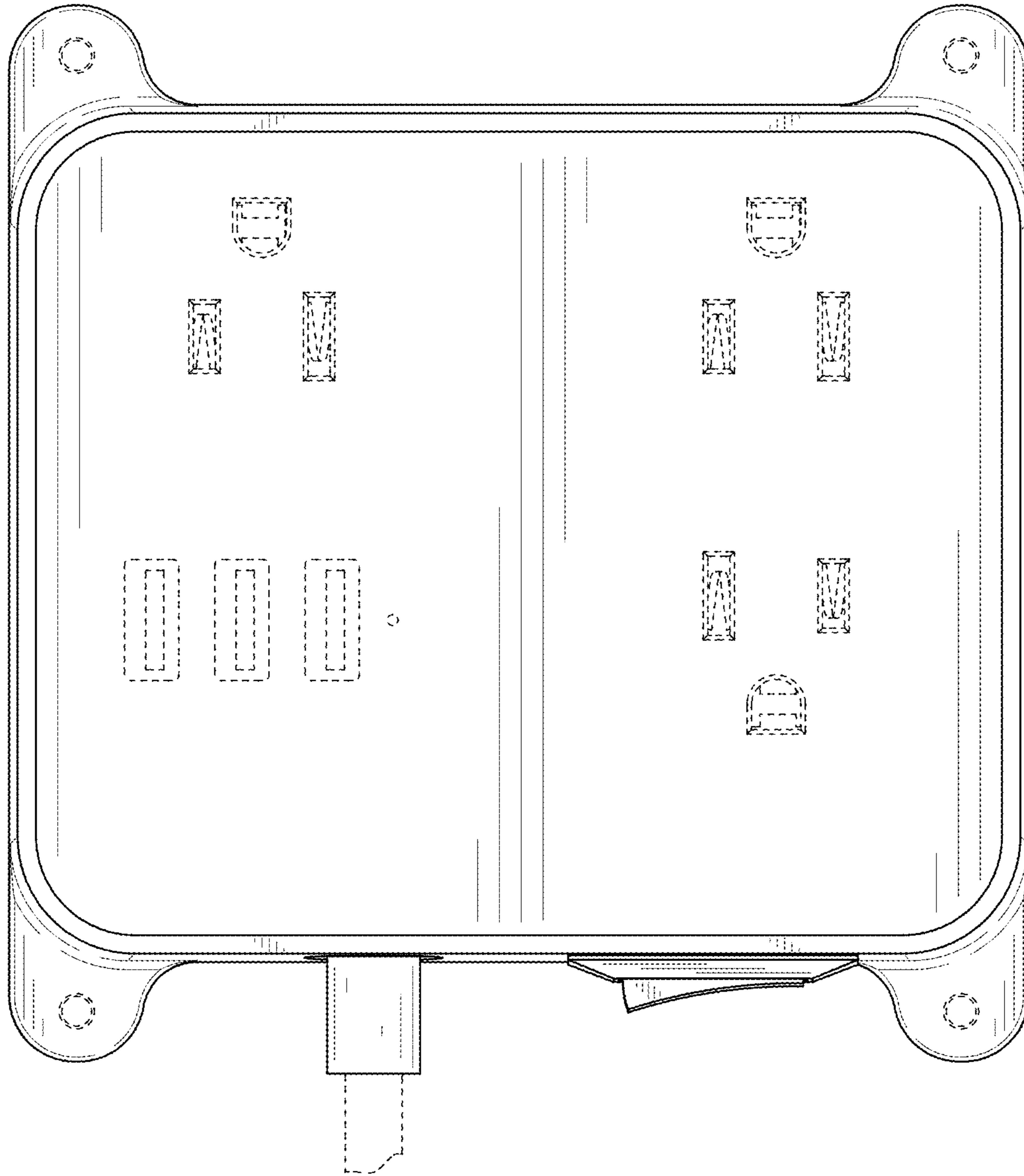


FIG. 3

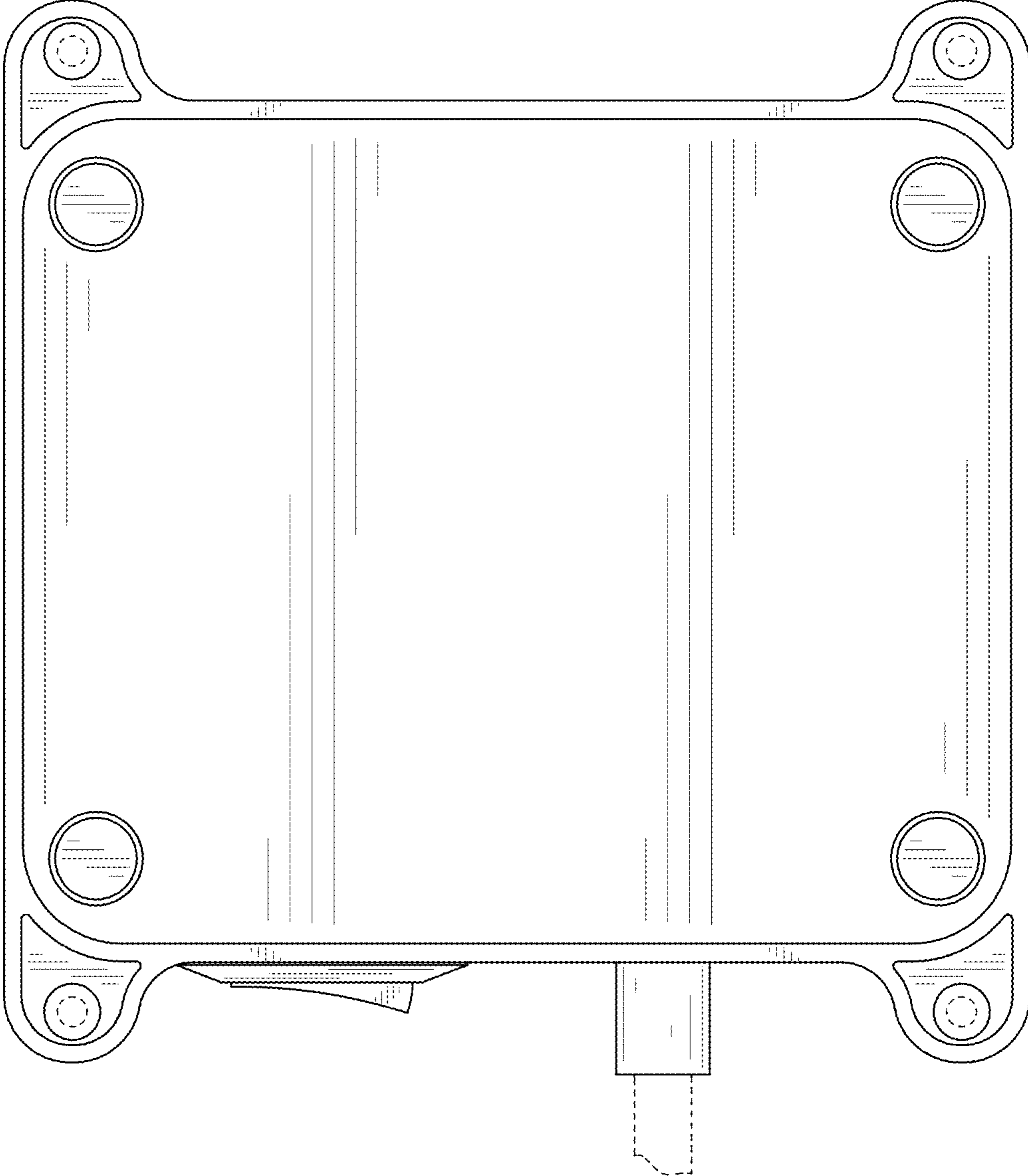


FIG. 4

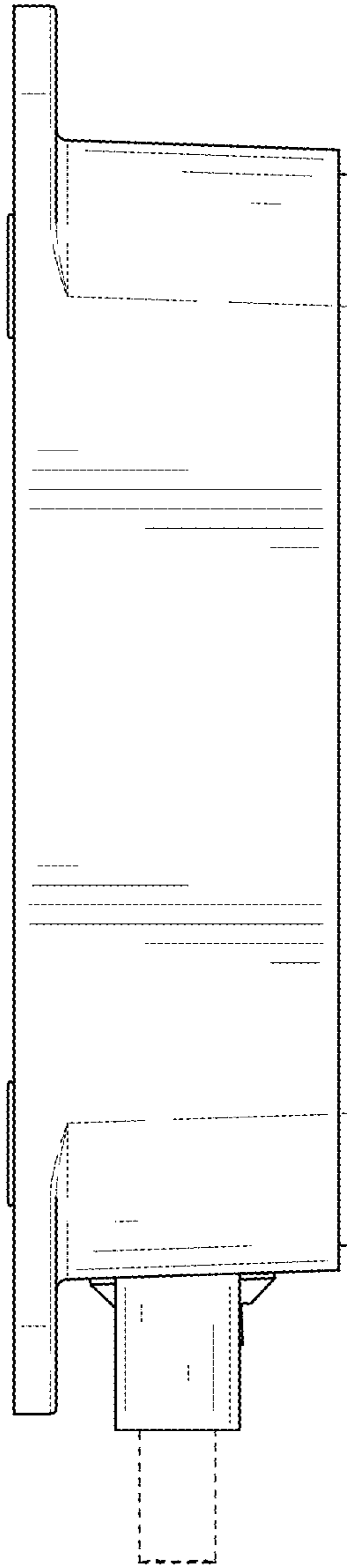


FIG. 5

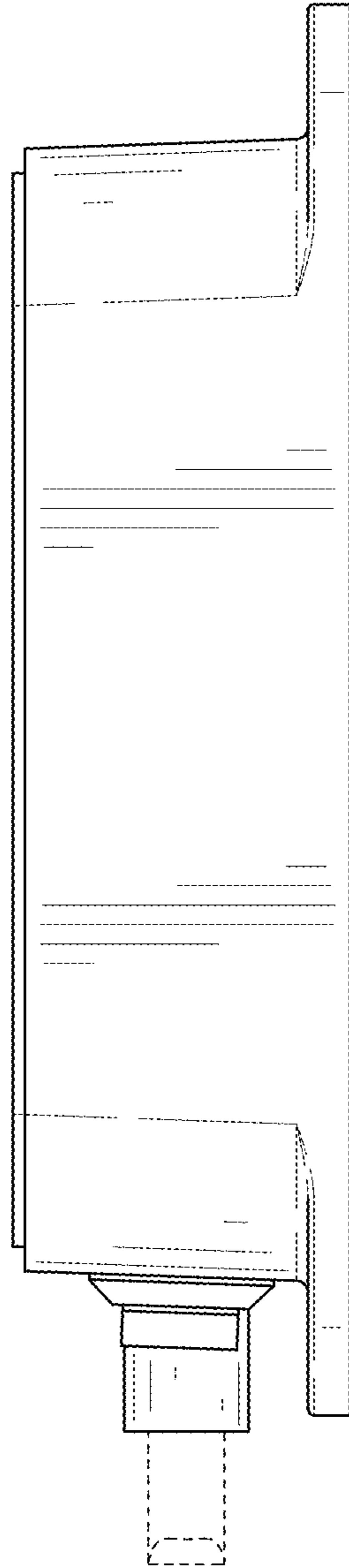


FIG. 6

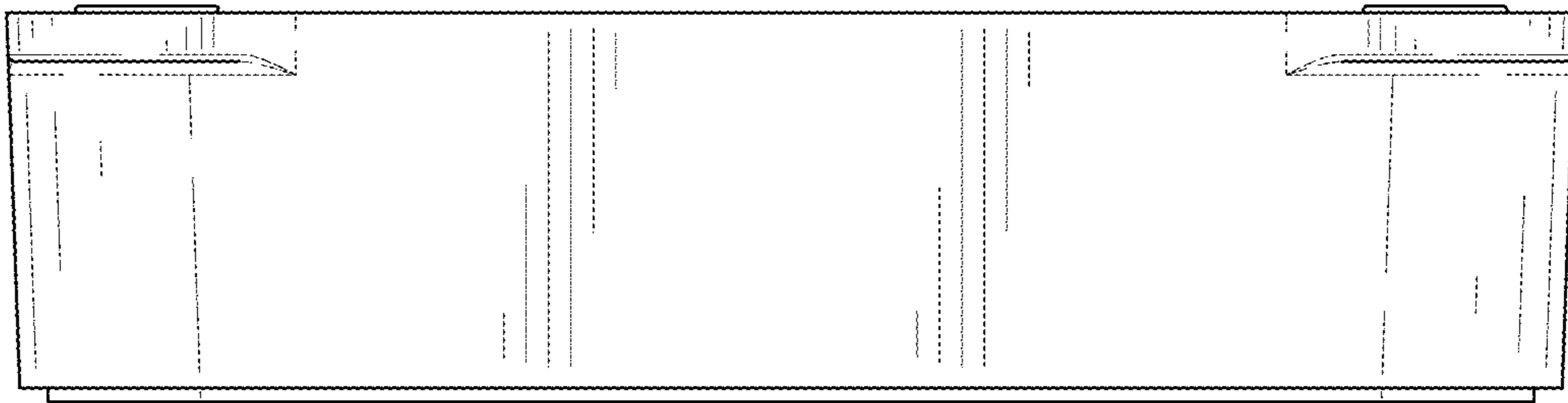


FIG. 7

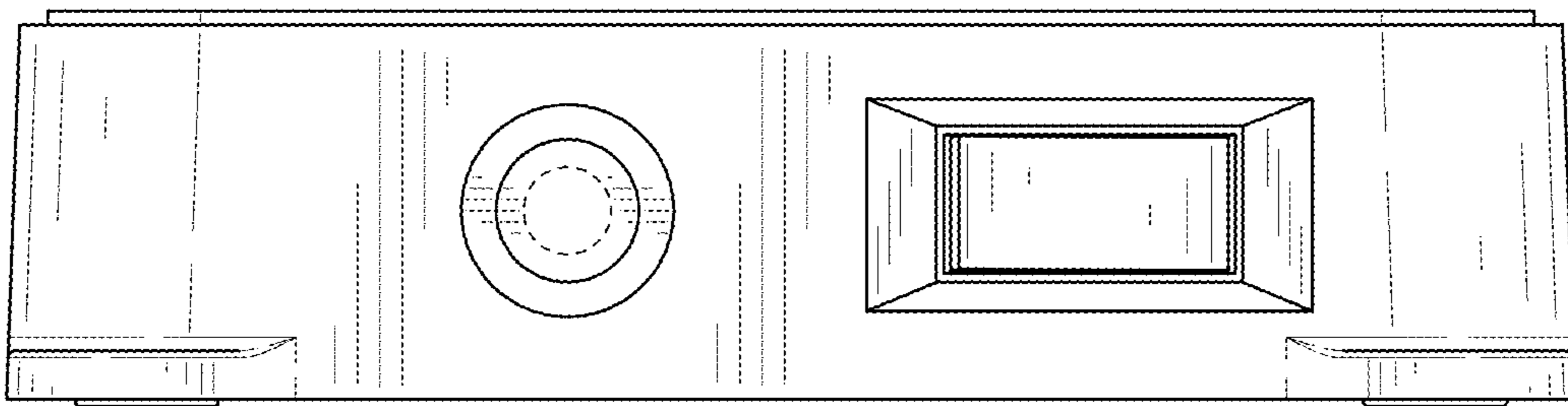


FIG. 8