



US00D941772S

(12) **United States Design Patent** (10) **Patent No.:** **US D941,772 S**
Mi (45) **Date of Patent:** **** Jan. 25, 2022**

(54) **POWER STRIP**

(71) Applicant: **CHIZHOU FENGAN
ELECTRONICS TECHNOLOGY
CO., LTD**, Chizhou (CN)

(72) Inventor: **Xueyan Mi**, Chizhou (CN)

(73) Assignee: **CHIZHOU FENGAN
ELECTRONICS TECHNOLOGY
CO., LTD**, Chizhou (CN)

(**) Term: **15 Years**

(21) Appl. No.: **29/773,674**

(22) Filed: **Mar. 11, 2021**

(51) **LOC (13) Cl.** **13-03**

(52) **U.S. Cl.**
USPC **D13/137.4**

(58) **Field of Classification Search**
USPC D13/103, 104, 105, 106, 107, 110, 112,
D13/113, 133, 137.1, 137.2, 137.3, 137.4,
D13/138.1, 138.2, 139.1, 139.2, 139.3,
D13/139.4, 139.5, 139.6, 139.7, 139.8,
D13/146, 147, 153, 154, 184, 199
CPC H01R 13/02; H01R 13/025; H01R 13/52;
H01R 13/53; H01R 24/00; H01R 24/28;
H01R 24/54; H01R 24/542; H01R 24/68;
H01R 25/003; H01R 25/006; H01R 31/06
See application file for complete search history.

(56) **References Cited**

U.S. PATENT DOCUMENTS

D225,857 S * 1/1973 Kourimsky D13/133
D416,543 S * 11/1999 Tsai D13/147
D416,869 S * 11/1999 Tsai D13/153
D535,947 S * 1/2007 Suckle D13/138.2
D546,281 S * 7/2007 Bell D13/107
D575,228 S * 8/2008 So D13/110
D613,248 S * 4/2010 Wu D13/137.4
D615,929 S * 5/2010 Maurer D13/137.4

D623,129 S * 9/2010 Kawakami D13/107
D639,731 S * 6/2011 Sun D13/103
D657,310 S * 4/2012 Fahrendorff D13/110
D665,341 S * 8/2012 Chu D13/103
D705,735 S * 5/2014 Zaslavsky D13/139.7
D705,736 S * 5/2014 Zaslavsky D13/139.7
D705,737 S * 5/2014 Zaslavsky D13/139.7
D724,030 S * 3/2015 Faul D13/139.1

(Continued)

FOREIGN PATENT DOCUMENTS

CN 306915034 * 11/2021

OTHER PUBLICATIONS

“Camco 50 Amp RV Power Defender Voltage Protector/Monitor with Integrated Surge Protection, Designed with Easy to Use PowerGrip Handles (55306)”, first available Apr. 3, 2014. Amazon.com [https://www.amazon.com/dp/B00JFWKM0C] (Year: 2014).*

(Continued)

Primary Examiner — Rosemary K Tarcza
Assistant Examiner — Seth David Kumpf

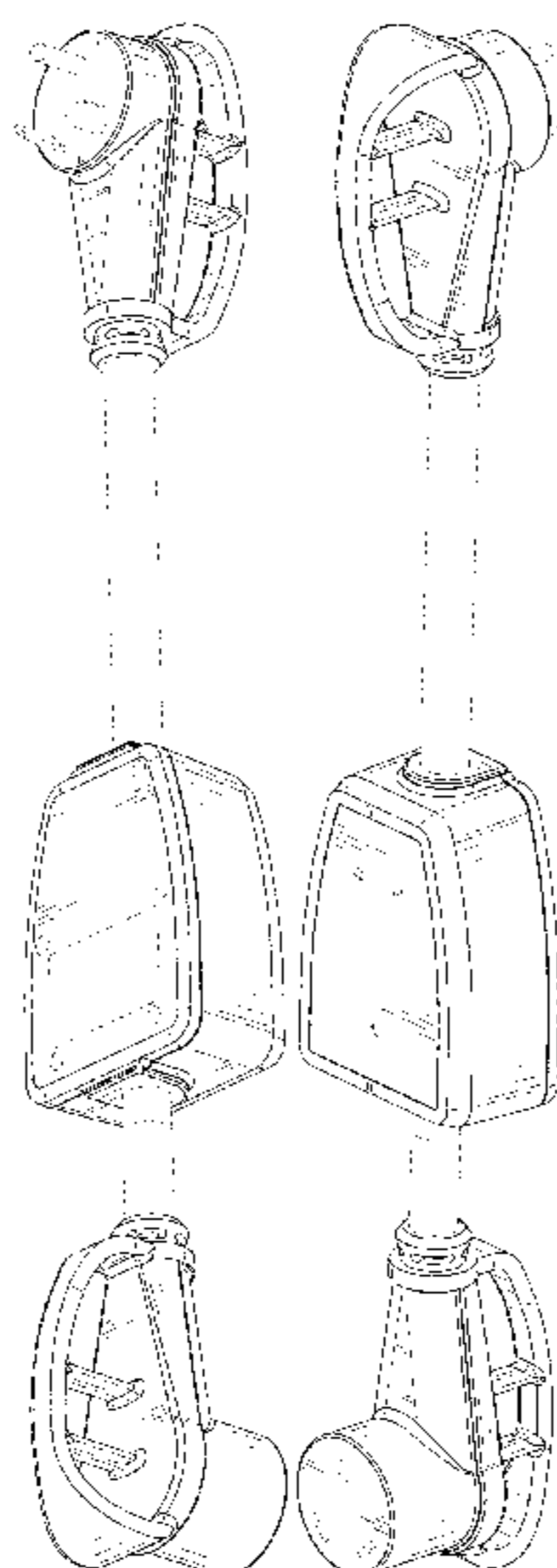
(57) **CLAIM**

The ornamental design for a power strip, as shown and described.

DESCRIPTION

FIG. 1 is a perspective view of a power strip showing my new design;
FIG. 2 is another perspective view thereof;
FIG. 3 is a front elevational view thereof;
FIG. 4 is a rear elevational view thereof;
FIG. 5 is a left side elevational view thereof;
FIG. 6 is a right side elevational view thereof;
FIG. 7 is a top plan view thereof; and,
FIG. 8 is a bottom plan view thereof.
The broken lines in the drawings depict portions of the power strip that form no part of the claimed design.

1 Claim, 8 Drawing Sheets



(56)

References Cited

U.S. PATENT DOCUMENTS

D737,208 S	*	8/2015	Faul	D13/139.1
D744,942 S	*	12/2015	Bates	D13/107
D744,943 S	*	12/2015	Bates	D13/107
D797,676 S		9/2017	Xu		
D845,892 S	*	4/2019	Shum	D13/107
D856,929 S	*	8/2019	Orand	D13/112
D859,305 S	*	9/2019	Barajas	D13/107
D867,998 S		11/2019	Gorretta et al.		
D914,609 S	*	3/2021	Mi	D13/137.4

OTHER PUBLICATIONS

“WENYIN rv Surge Protector 30 amp, rv Circuit Analyzer with LED Indicator Light , Surge Protection(4100 Joules), Designed with Easy to Use Handles”, first available Jun. 8, 2021. Amazon.com [https://www.amazon.com/dp/B096VY78V9] (Year: 2021).*

“M1A2 New Generation RV Surge Protector 30 Amp with Waterproof Cover Camper Anti-Theft Circuit Analyzer Tester Plug with UL Tested”, first available Oct. 18, 2021. Amazon.com [https://www.amazon.com/dp/B09G95RPP1] (Year: 2021).*

“POWSAF rv Surge Protector 30 amp with Waterproof Cover, rv Power Defender Voltage Protector/Monitor with Surge Protection(4100 Joules), Designed with Easy to Use Handles”, first available Apr. 30, 2021. Amazon.com [https://www.amazon.com/POWSAF-Protector-Waterproof-Defender-Protection/dp/B093X5KVDW] (Year: 2021).*

“RV Surge Protector 30 amp with Waterproof Cover, RV Voltage Protector/Surge Protected Monitor Indicator Circuit Analyzer with LED Indicator (2100 Joules), Designed with Easy to Use Handle”, first available Sep. 16, 2021. Amazon.com [https://www.amazon.com/dp/B09GFK5JGS] (Year: 2021).*

“Rv Surge Protector 50 amp, POWSAF rv Power Defender Voltage Protector/Monitor with Surge Protection(4100 Joules), Designed with Easy to Use Handles . . . ”, first available May 5, 2021. Amazon.com [https://www.amazon.com/Protector-POWSAF-Defender-Protection-Designed/dp/B09471J8Y7] (Year: 2021).*

* cited by examiner

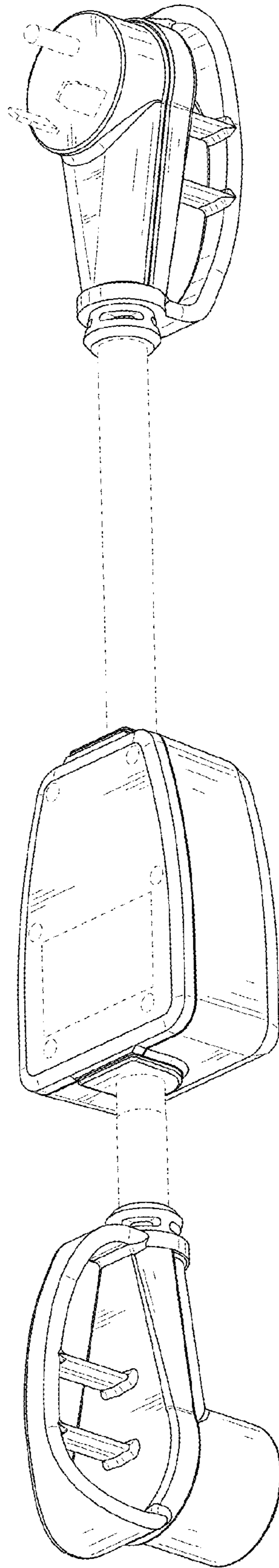


FIG. 1

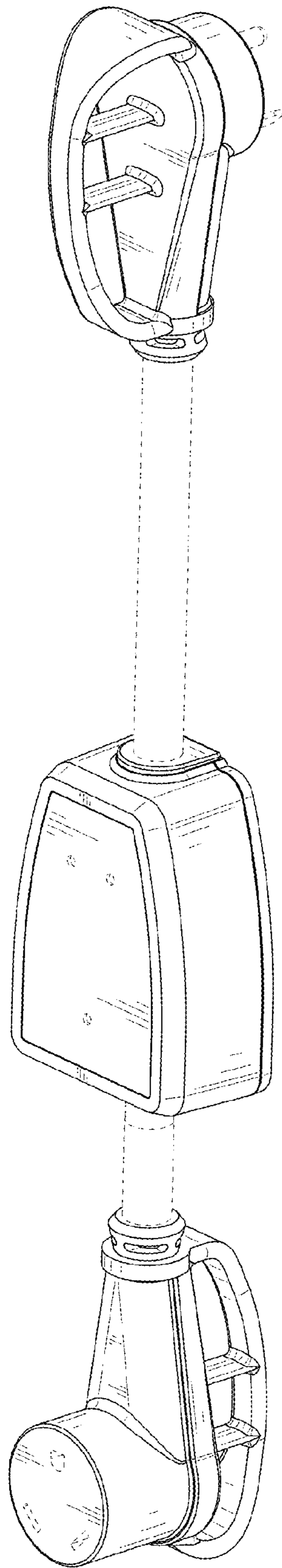


FIG. 2

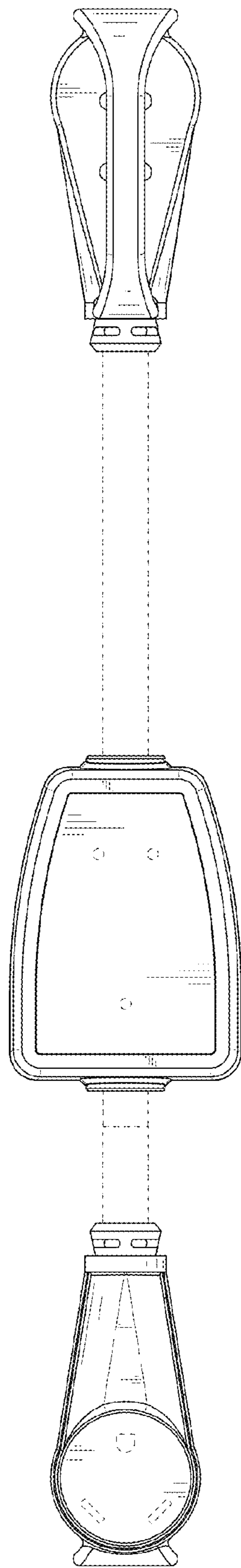


FIG. 3

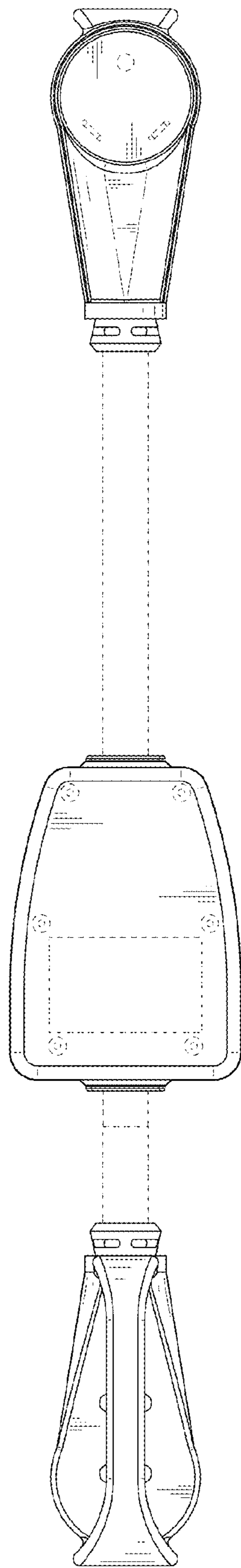


FIG. 4

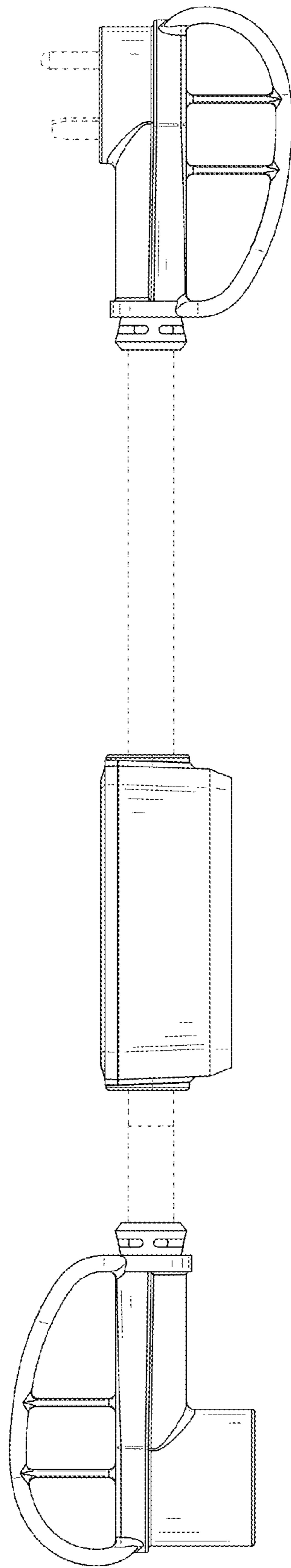


FIG. 5

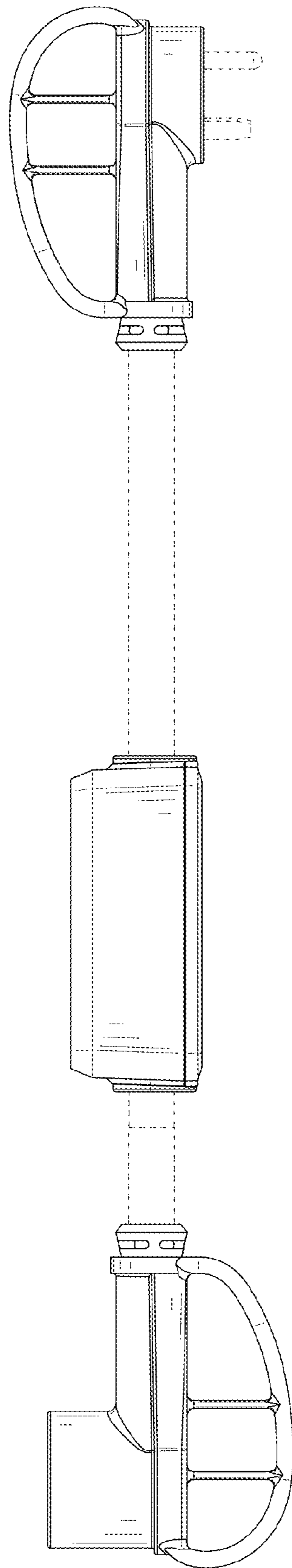


FIG. 6

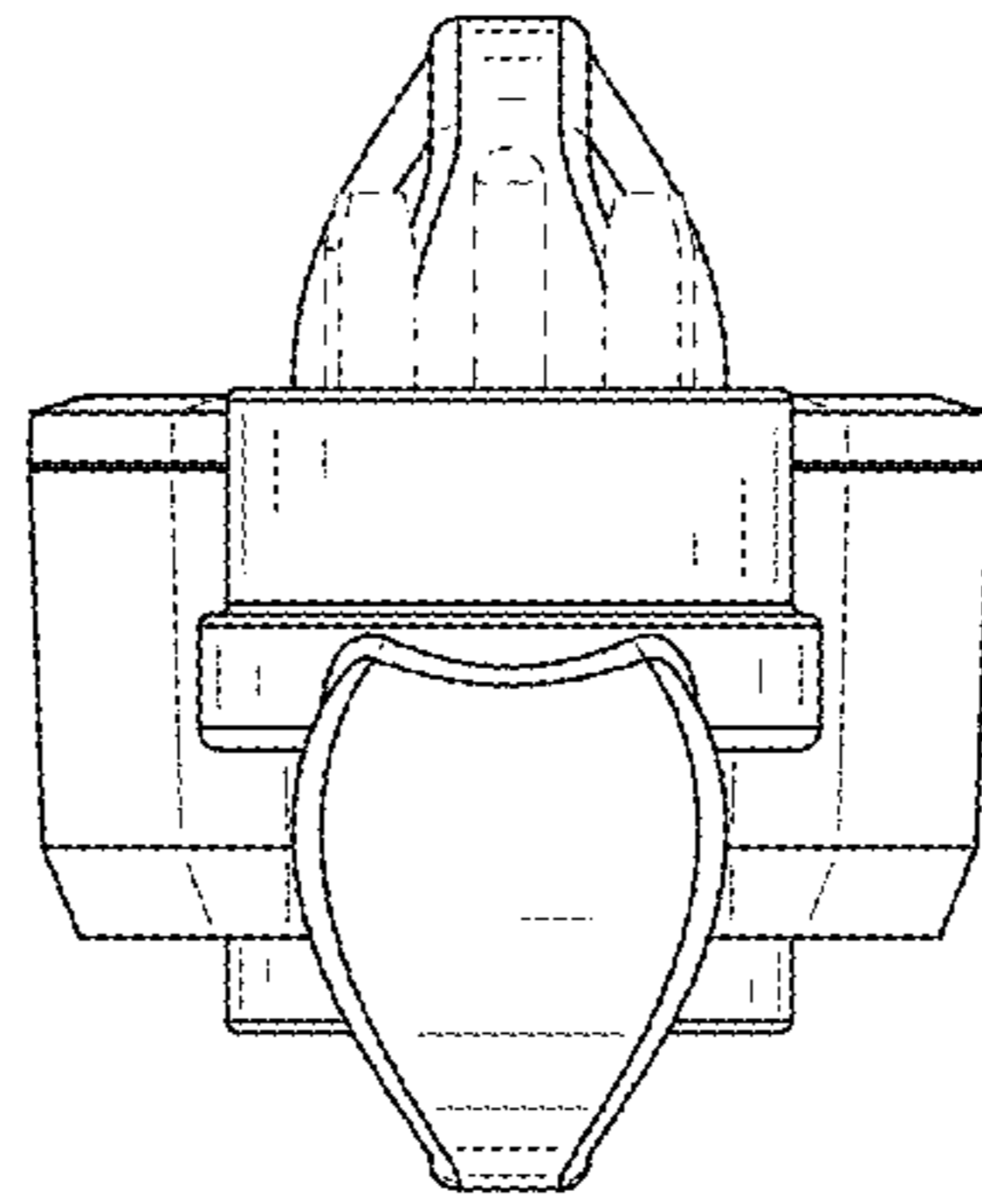


FIG. 7

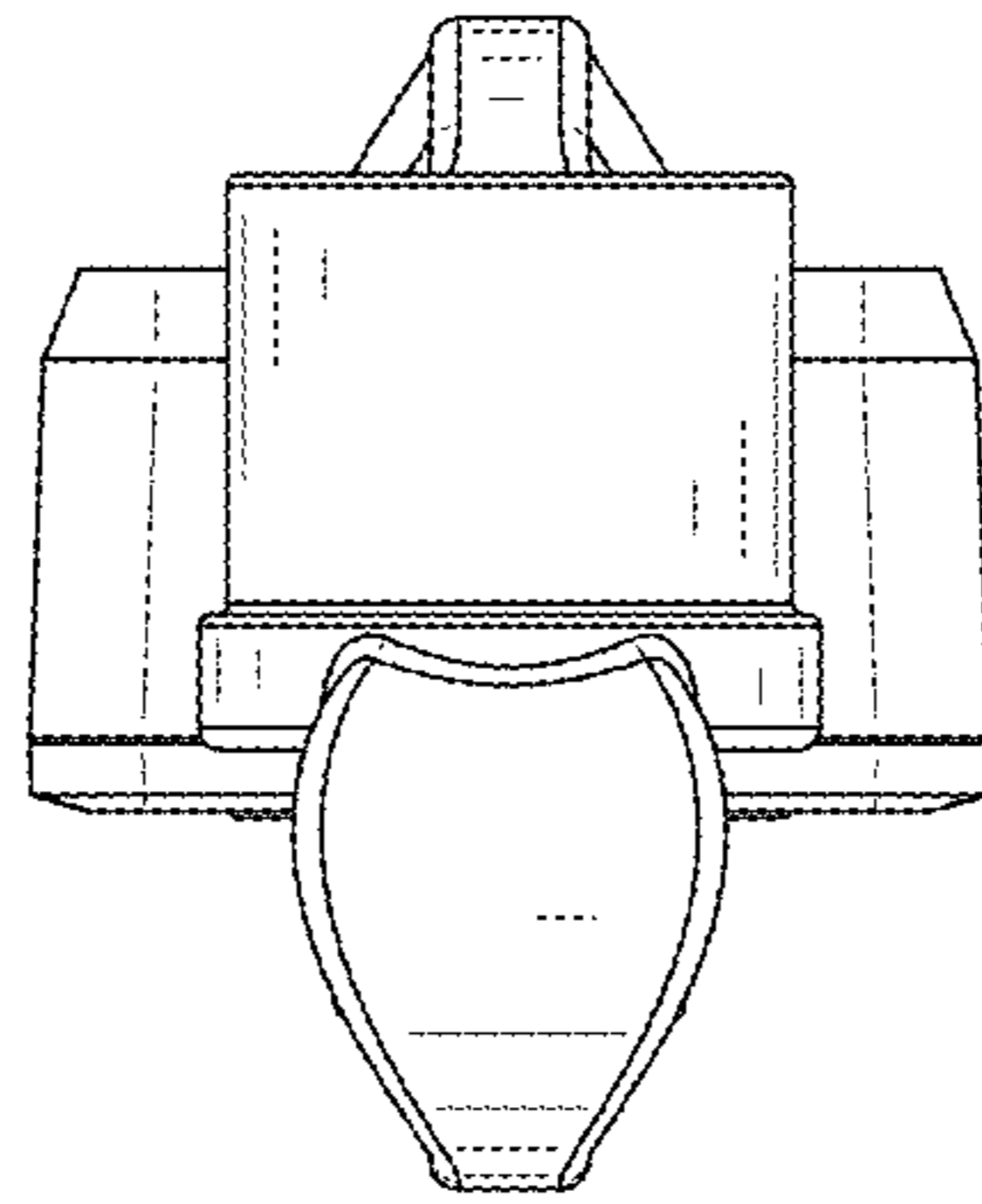


FIG. 8