



US00D941771S

(12) **United States Design Patent**
Ito et al.

(10) **Patent No.:** **US D941,771 S**
(45) **Date of Patent:** **** Jan. 25, 2022**

(54) **ELECTRICAL CONNECTOR**
(71) Applicant: **Molex, LLC**, Lisle, IL (US)

9,620,879 B2 4/2017 Li
9,761,977 B2 9/2017 Yang
10,263,350 B2 4/2019 Huo et al.
D847,756 S * 5/2019 Endo D13/147
(Continued)

(72) Inventors: **Naotoshi Ito**, Yamato (JP); **Hiroki Kobayashi**, Yamato (JP)

FOREIGN PATENT DOCUMENTS

(73) Assignee: **Molex, LLC**, Lisle, IL (US)

JP S828543 S 2/1992
JP S888816 S 1/1994
(Continued)

(**) Term: **15 Years**

(21) Appl. No.: **29/717,495**

OTHER PUBLICATIONS

(22) Filed: **Dec. 18, 2019**

Non-Final rejection received for U.S. Appl. No. 29/717,498, dated Dec. 9, 2020, 8 pages.

(30) **Foreign Application Priority Data**

(Continued)

Jun. 21, 2019 (JP) 2019-013690

(51) **LOC (13) Cl.** **13-03**

Primary Examiner — Susan Bennett Hattan
Assistant Examiner — Landon Thomas Cassell

(52) **U.S. Cl.**
USPC **D13/133**

(58) **Field of Classification Search**
USPC D13/118, 120, 154, 173, 103, 107, 108,
D13/110, 112, 123, 133, 137.1, 145–147,
D13/149–156, 158, 177, 184, 199, 242,
D13/240, 256, 432, 433, 434, 435.1, 438,
D13/480.1–480.7, 484
See application file for complete search history.

(57) **CLAIM**

The ornamental design for an electrical connector, as shown and described.

DESCRIPTION

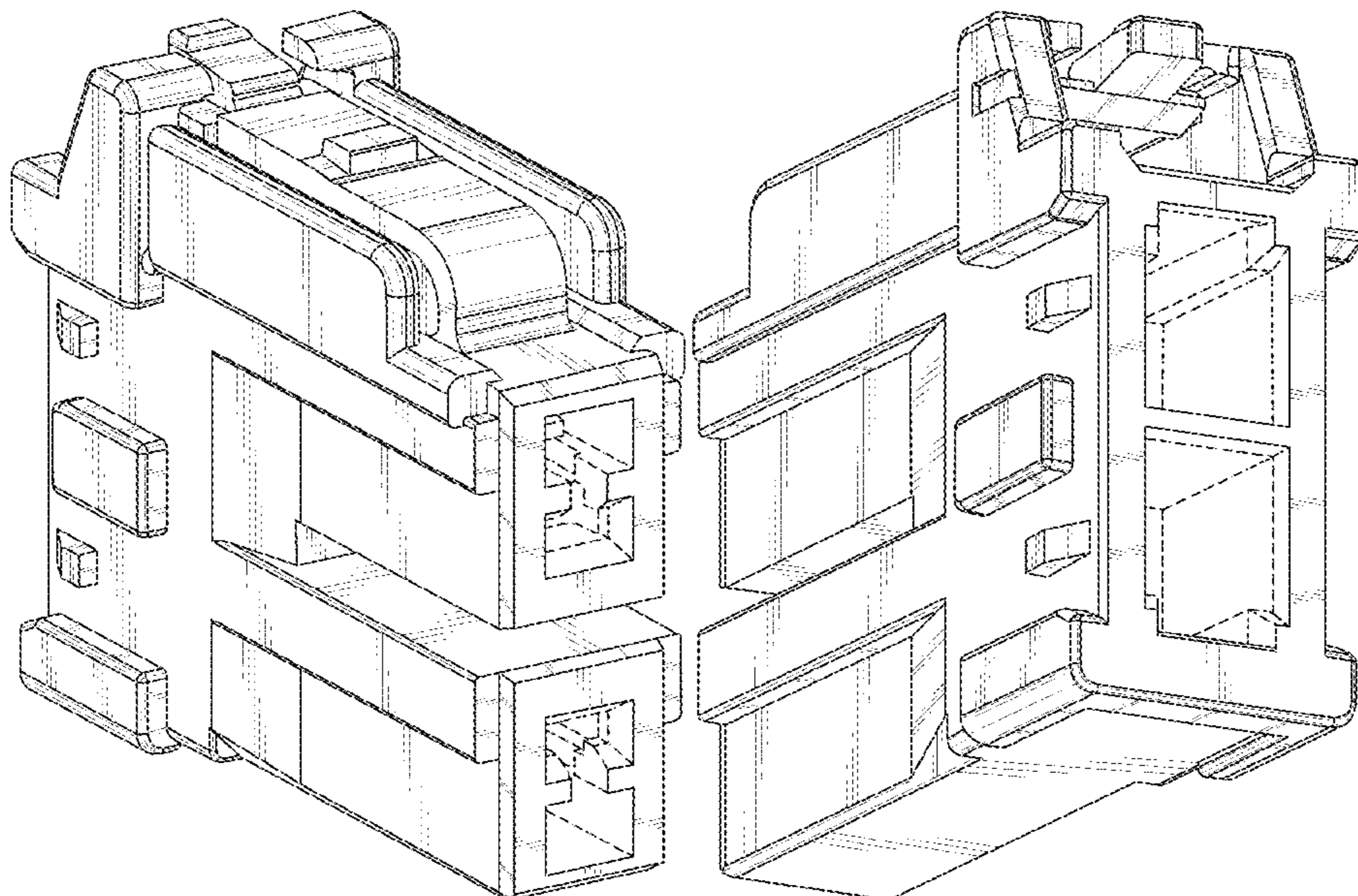
FIG. 1 is a perspective view of an electrical connector;
FIG. 2 is a perspective view thereof;
FIG. 3 is a perspective view thereof;
FIG. 4 is a perspective view thereof;
FIG. 5 is a front view thereof;
FIG. 6 is a rear view thereof;
FIG. 7 is a top view thereof;
FIG. 8 is a bottom view thereof;
FIG. 9 is a right side view thereof; and,
FIG. 10 is a left side view thereof.
The equal length broken lines in the drawings depict portions of the electrical connector that form no part of the claimed design.

(56) **References Cited**

U.S. PATENT DOCUMENTS

5,667,403 A 9/1997 Fukuda et al.
6,827,596 B2 12/2004 Hori
D524,751 S * 7/2006 Lee D13/147
D538,230 S 3/2007 Kudo
D538,231 S 3/2007 Kudo
D583,324 S 12/2008 Iijima et al.
D585,382 S 1/2009 Kudo
8,944,844 B2 2/2015 Myer
D748,588 S * 2/2016 Endo D13/147

1 Claim, 10 Drawing Sheets



(56)

References Cited

U.S. PATENT DOCUMENTS

2008/0020639 A1* 1/2008 Ichio H01R 13/4362
439/595
2013/0008712 A1* 1/2013 Kobayashi H02G 3/30
174/72 A
2014/0370757 A1* 12/2014 Endo H01R 43/22
439/626
2015/0147901 A1* 5/2015 Wu H01R 13/639
439/357
2015/0200492 A1* 7/2015 Endo H01R 13/639
439/345
2015/0222043 A1* 8/2015 Yagi H01R 13/502
439/625
2015/0333427 A1* 11/2015 Taguchi H01R 13/428
439/748
2018/0277990 A1 9/2018 Ho
2018/0316131 A1* 11/2018 Holub H01R 13/6275
2018/0316132 A1* 11/2018 Holub H01R 13/6275

2019/0280430 A1* 9/2019 Azad H01R 13/4361
2019/0363476 A1* 11/2019 Zheng H01R 13/6272
2020/0136303 A1* 4/2020 Ito H01R 13/521

FOREIGN PATENT DOCUMENTS

JP S899080 S 5/1994
JP S899099 S 5/1994
JP S944748 S 1/1996
JP S997228 S 12/1997
JP S1074717 S 6/2000
JP S1259617 S 1/2006
JP S1260794 S 1/2006
JP S1260796 S 1/2006
JP S1354379 S 3/2009

OTHER PUBLICATIONS

Non-Final rejection received for U.S. Appl. No. 29/717,501, dated Dec. 17, 2020, 9 pages.

* cited by examiner

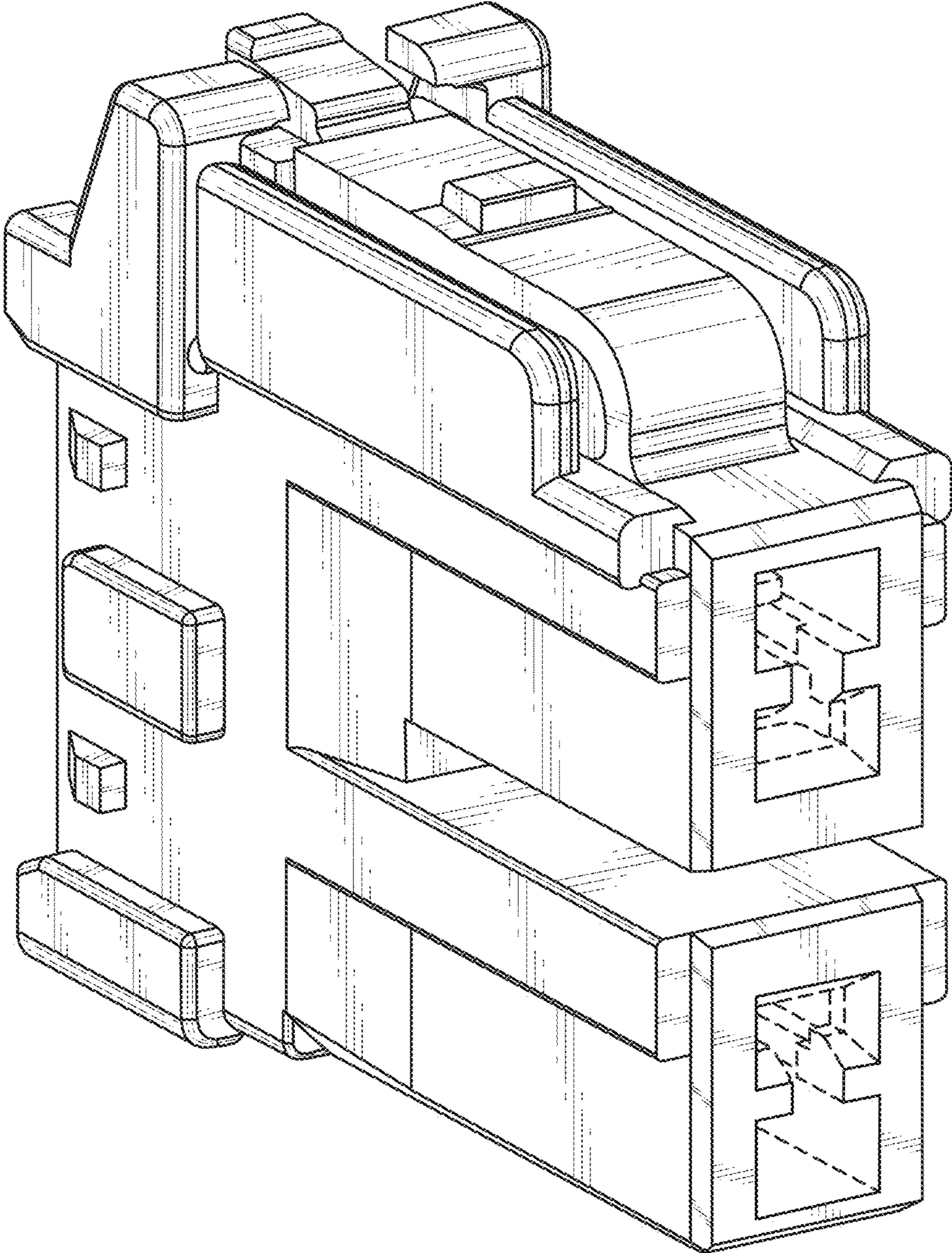


FIG. 1

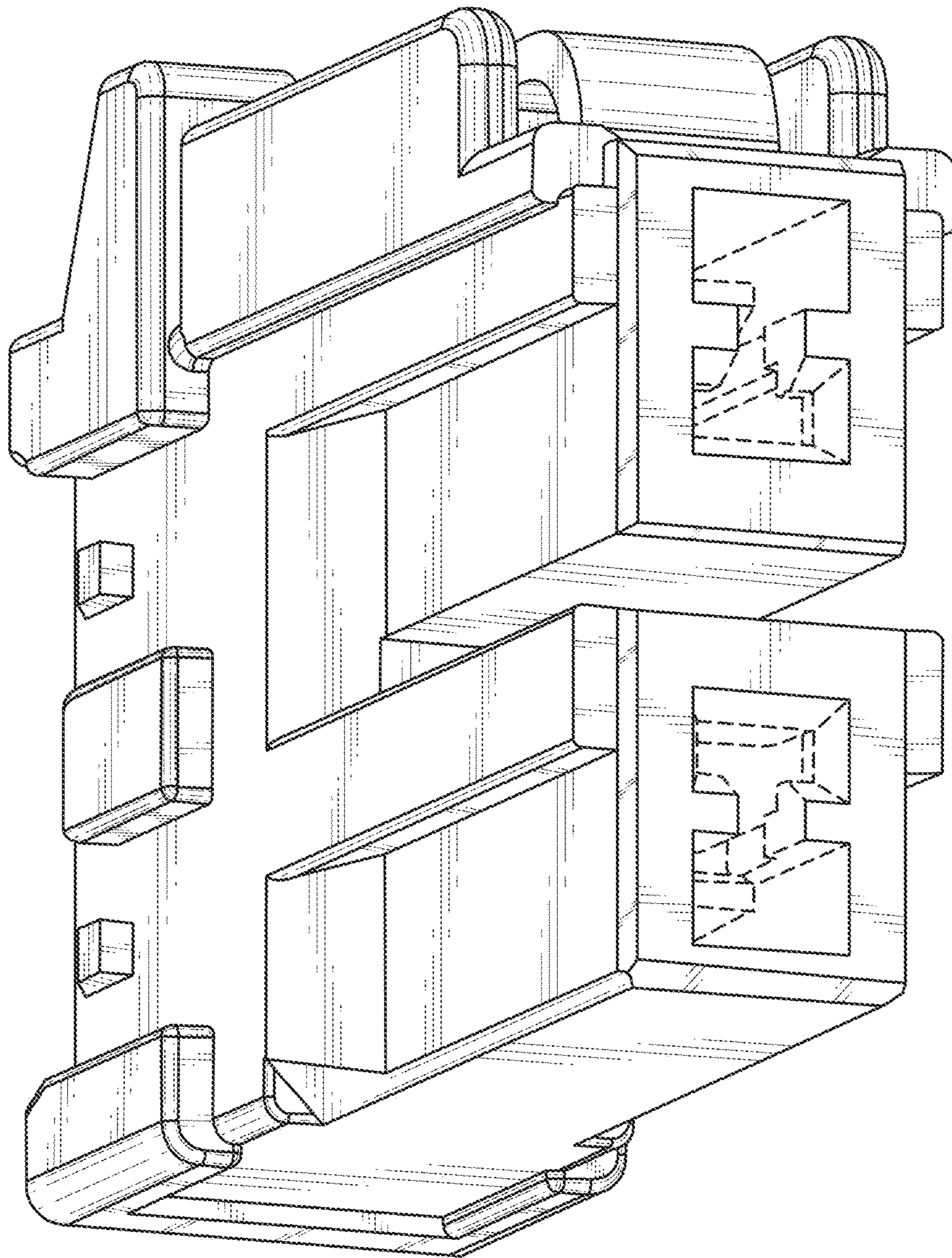


FIG. 2

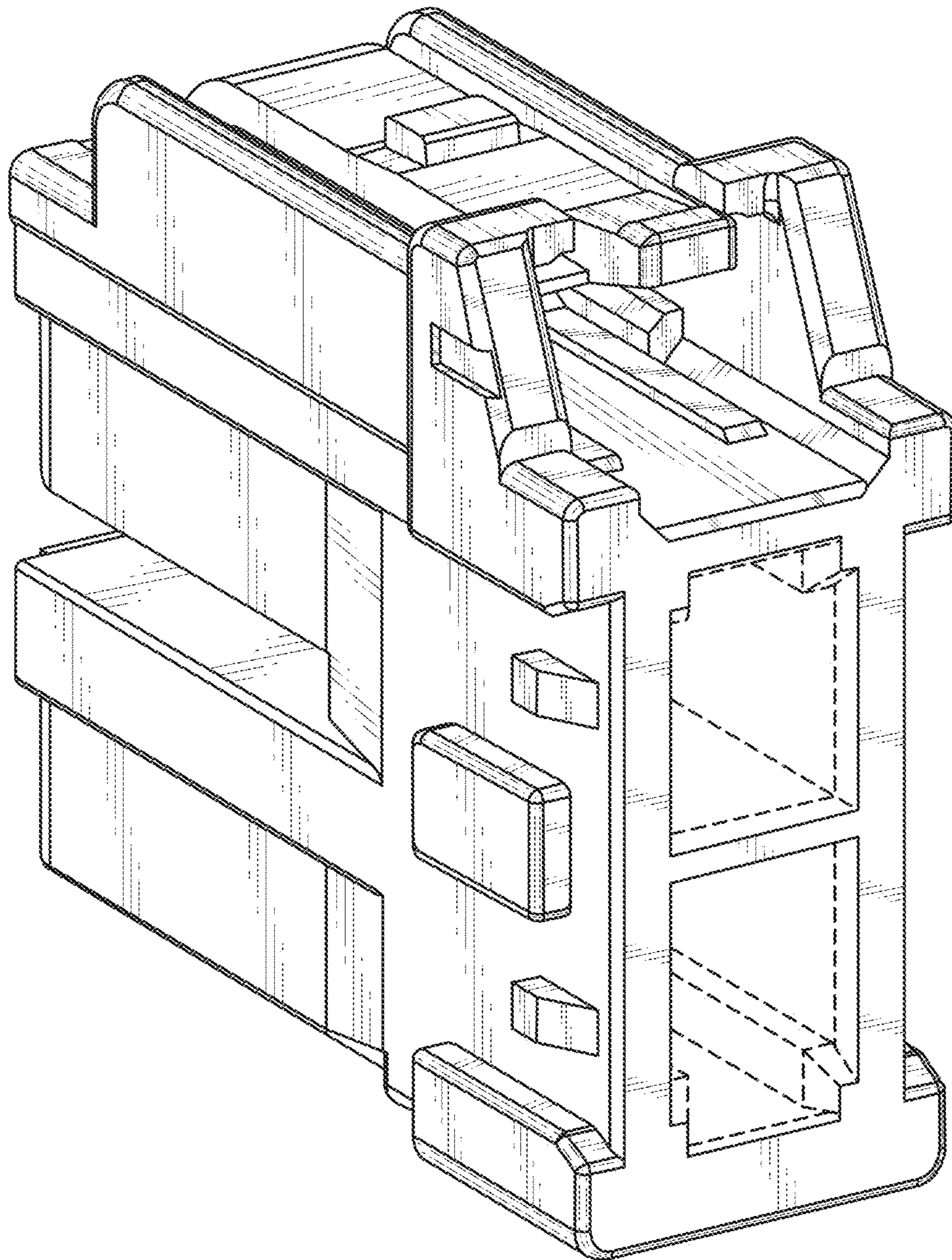


FIG. 3

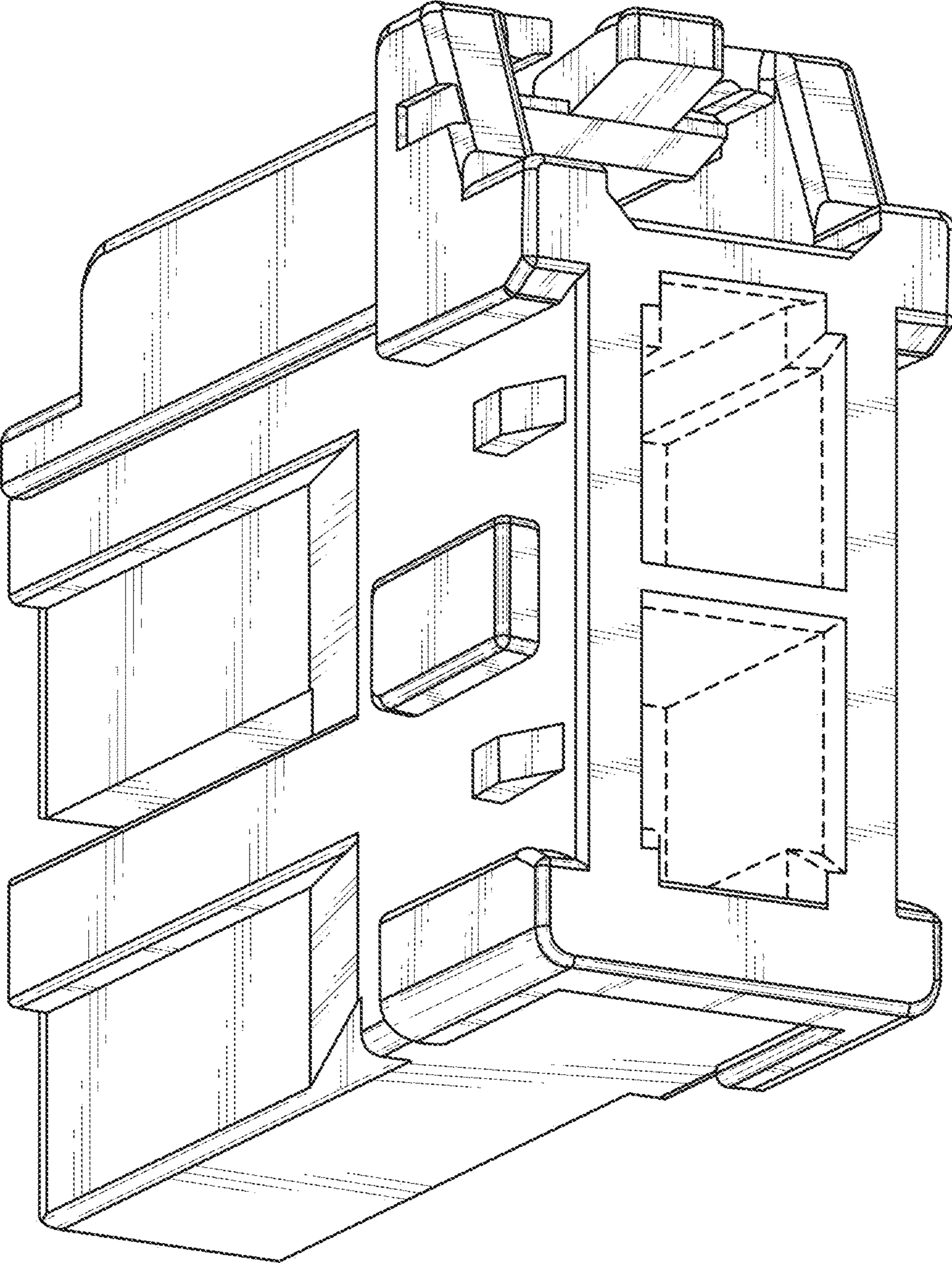


FIG. 4

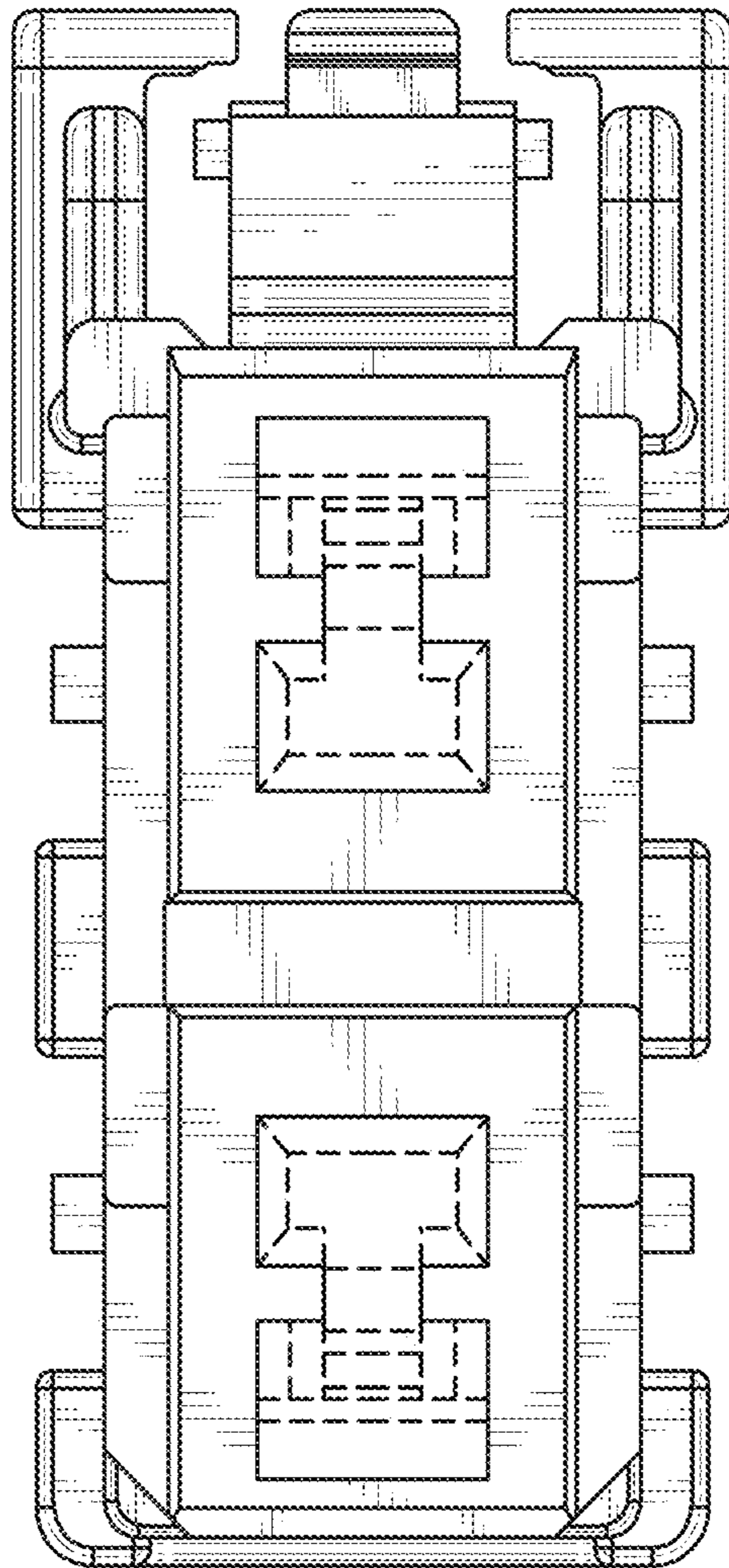


FIG. 5

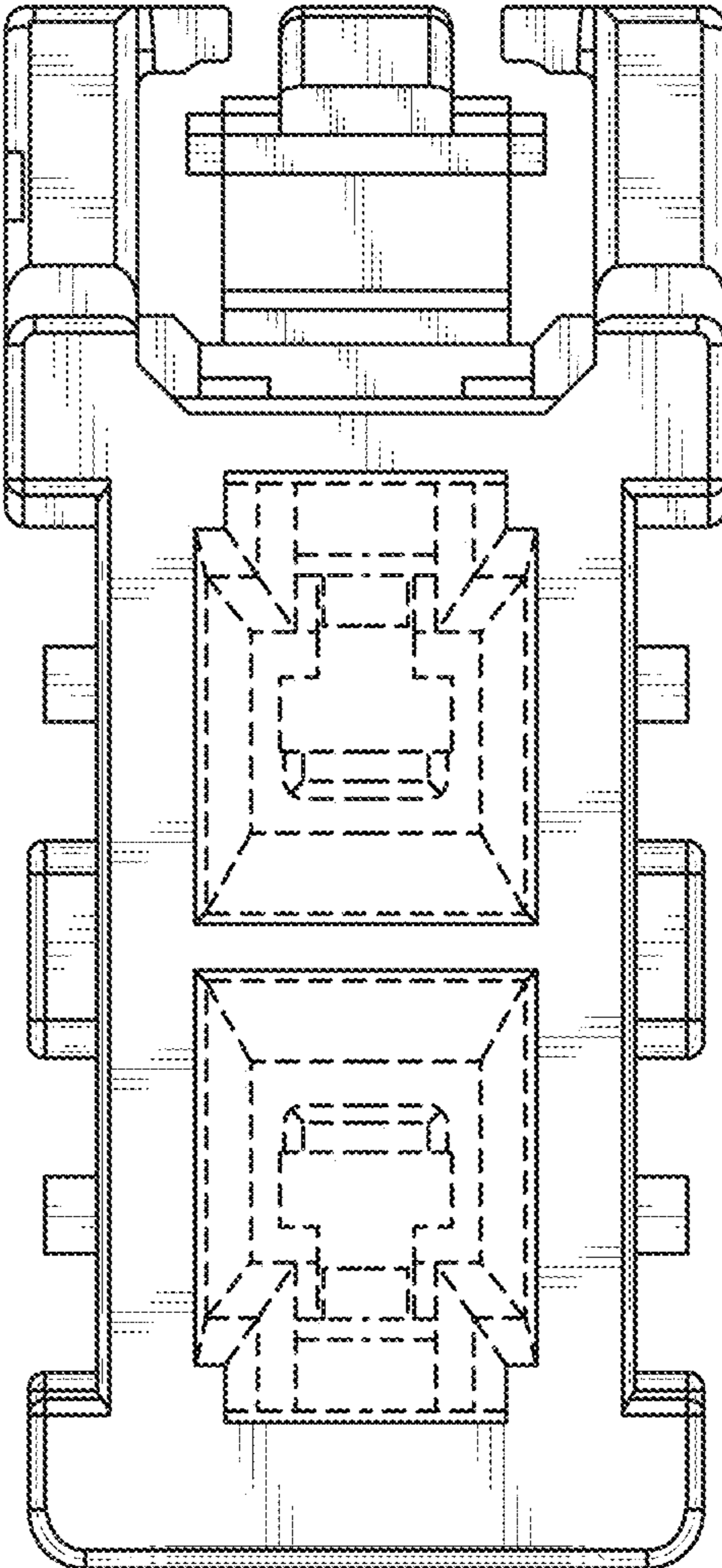


FIG. 6

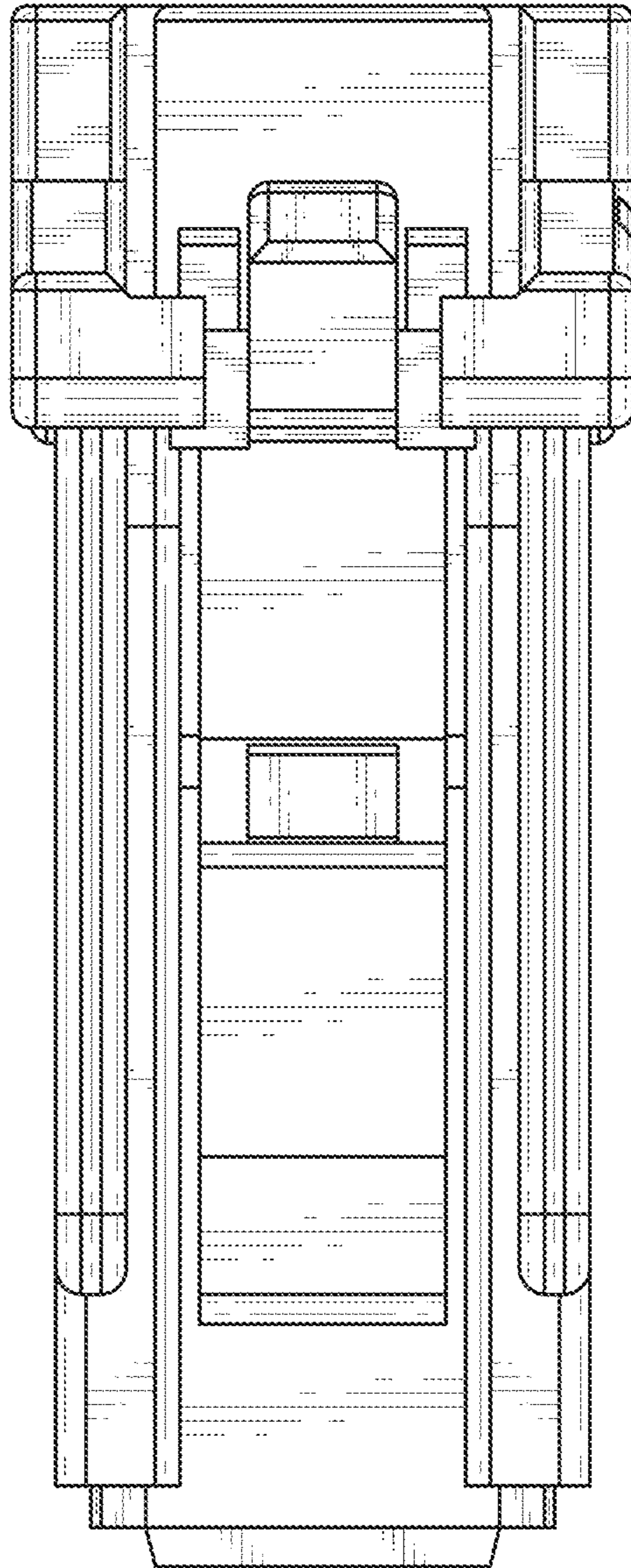


FIG. 7

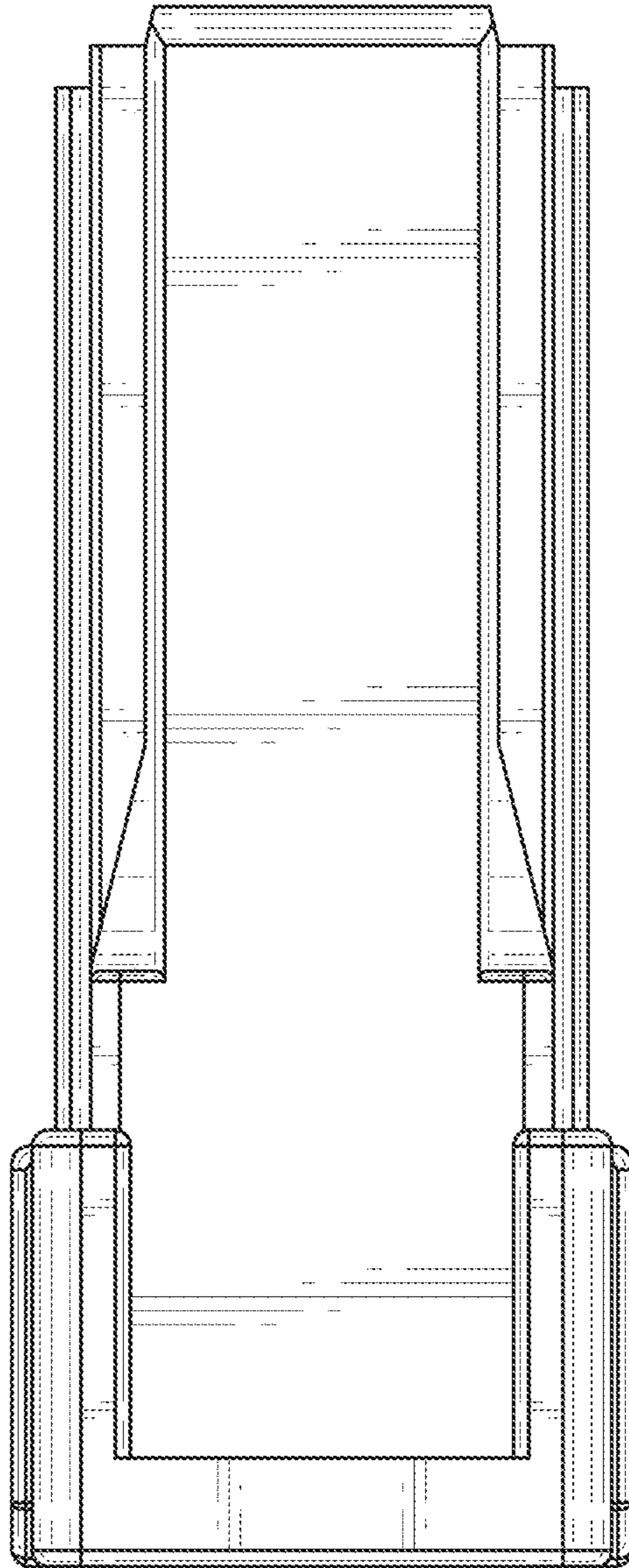


FIG. 8

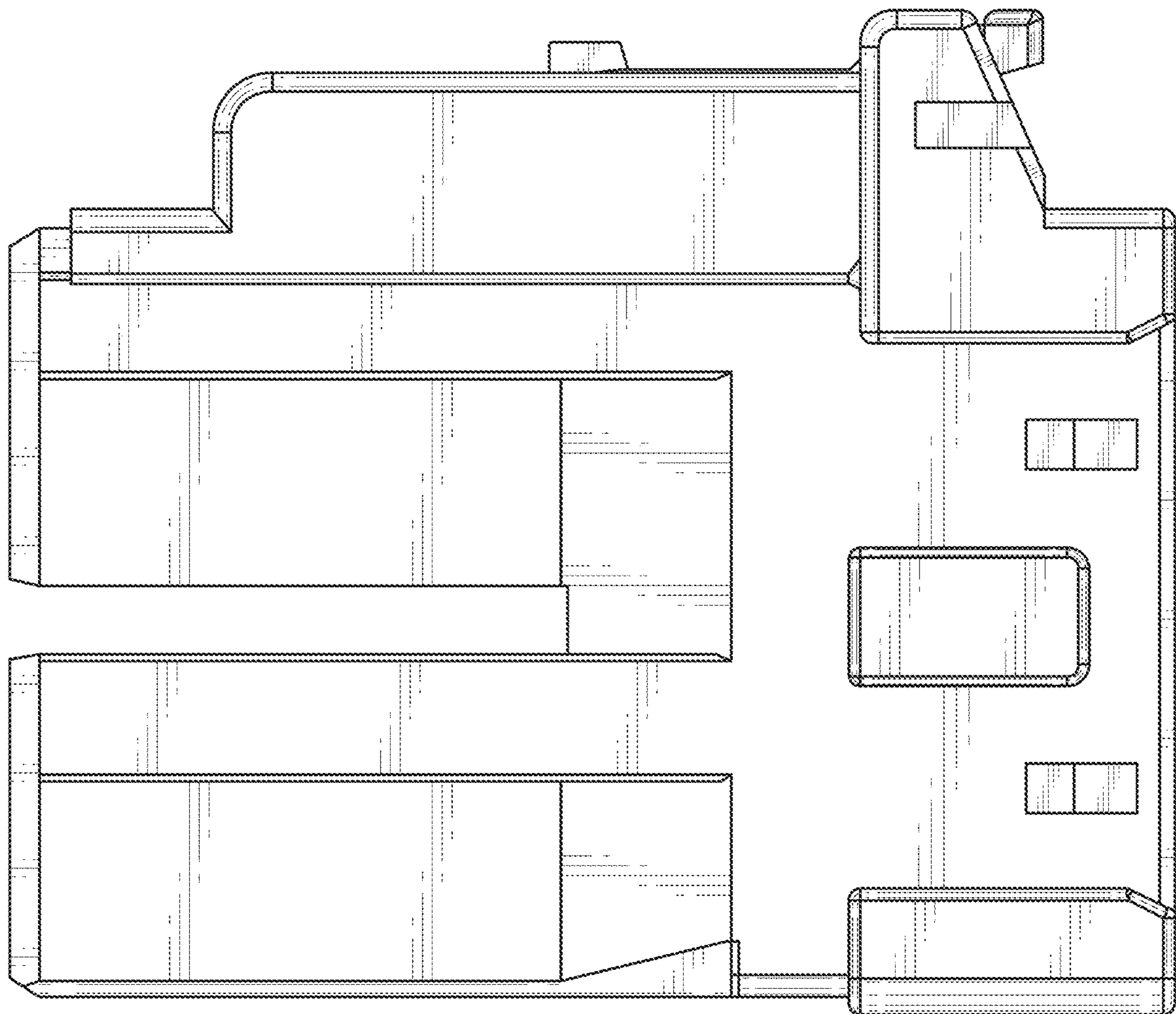


FIG. 9

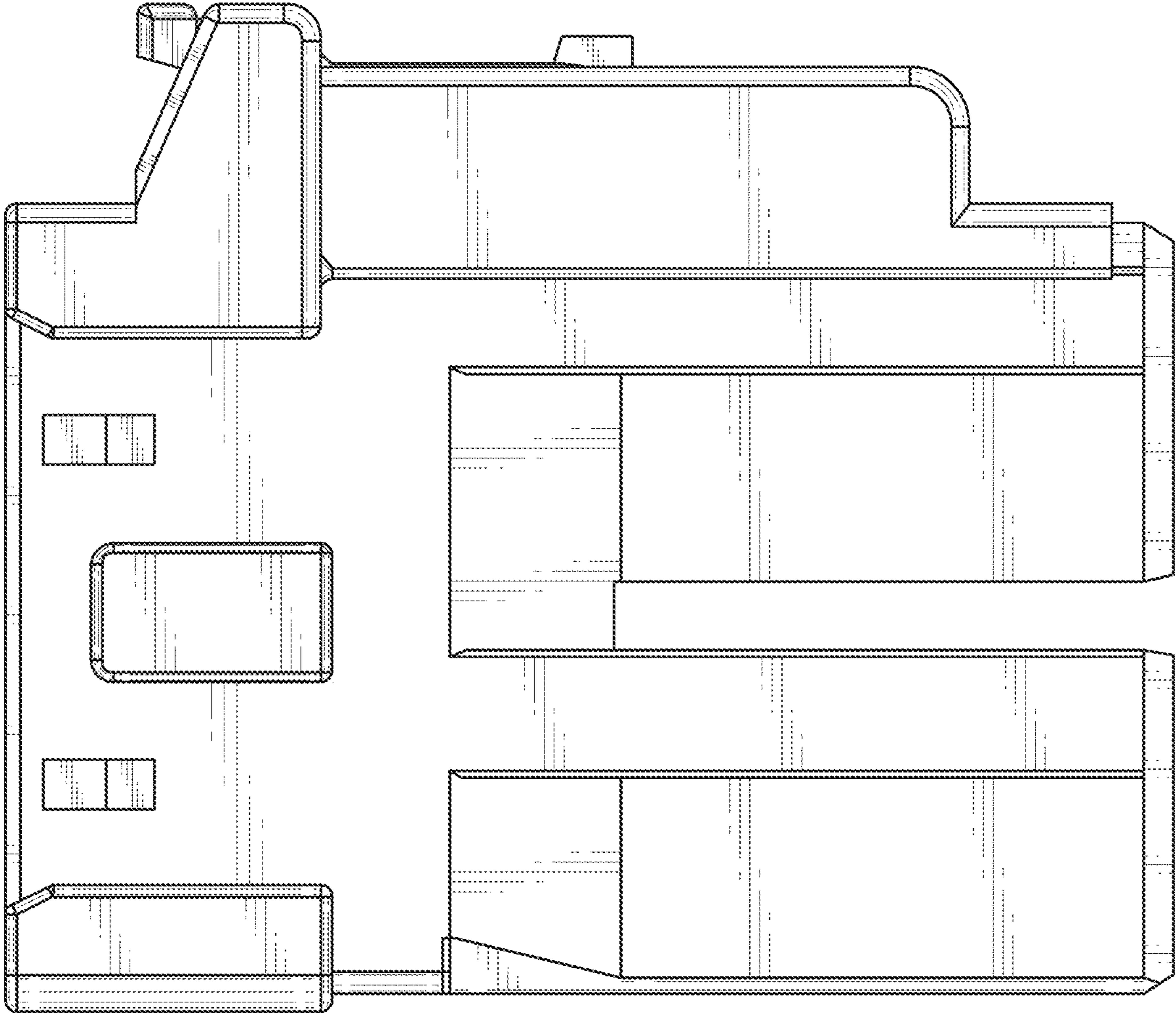


FIG. 10