



US00D941770S

(12) **United States Design Patent**
Haley et al.

(10) **Patent No.:** **US D941,770 S**
(45) **Date of Patent:** **** Jan. 25, 2022**

- (54) **BATTERY CONNECTOR**
- (71) Applicant: **HORIZON HOBBY, LLC**,
Champaign, IL (US)
- (72) Inventors: **James Haley**, Champaign, IL (US);
Adam Hong, Champaign, IL (US)
- (73) Assignee: **HORIZON HOBBY, LLC**,
Champaign, IL (US)
- (**) Term: **15 Years**
- (21) Appl. No.: **29/704,265**
- (22) Filed: **Sep. 3, 2019**
- (51) **LOC (13) Cl.** **13-03**
- (52) **U.S. Cl.**
USPC **D13/133; D13/146**
- (58) **Field of Classification Search**
USPC D13/103, 107, 108, 118–121, 123, 133,
D13/145–147, 149, 151, 153, 154, 173,
D13/184, 199
CPC ... G02B 6/38; G02B 6/42; G02B 6/44; H01R
9/00; H01R 12/00; H01R 13/00; H01R
13/52; H01R 13/58; H01R 13/627; H01R
13/64; H01R 13/74; H01R 24/00
See application file for complete search history.

(56) **References Cited**

U.S. PATENT DOCUMENTS

D271,196 S *	11/1983	Tetreault	D13/133
D324,028 S *	2/1992	Sueyoshi	D13/133
5,131,867 A *	7/1992	Pelozza	H01R 13/743 439/557
5,547,394 A *	8/1996	Comstock	H01R 13/743 439/557
D473,844 S *	4/2003	Bender	D13/133
D478,549 S *	8/2003	Porzelt	D13/146
D494,933 S *	8/2004	Lu	D13/133
D588,989 S *	3/2009	Kok	D13/133
D593,033 S *	5/2009	Ogata	D13/133

D722,971 S *	2/2015	Smith	D13/147
D741,264 S *	10/2015	Vanbecelaere	D13/120
D814,418 S *	4/2018	Kawakami	D13/133
D817,280 S *	5/2018	Nook	D13/133
D827,574 S *	9/2018	Kawakami	D13/133
D851,595 S *	6/2019	Chen	D13/133

(Continued)

OTHER PUBLICATIONS

Readytosky T-Plug Deans Male to EC3 Female Connector Adapters, dated Nov. 18, 2016, [online], [site visited Aug. 10, 2020]. Available from Internet, URL: <https://www.amazon.com/Readytosky-Connector-Adapters-Battery-Connectors/dp/B01GJLRED4/> (Year: 2016).*

(Continued)

Primary Examiner — Shawn T Gingrich

(74) *Attorney, Agent, or Firm* — Baker Botts LLP

(57) **CLAIM**

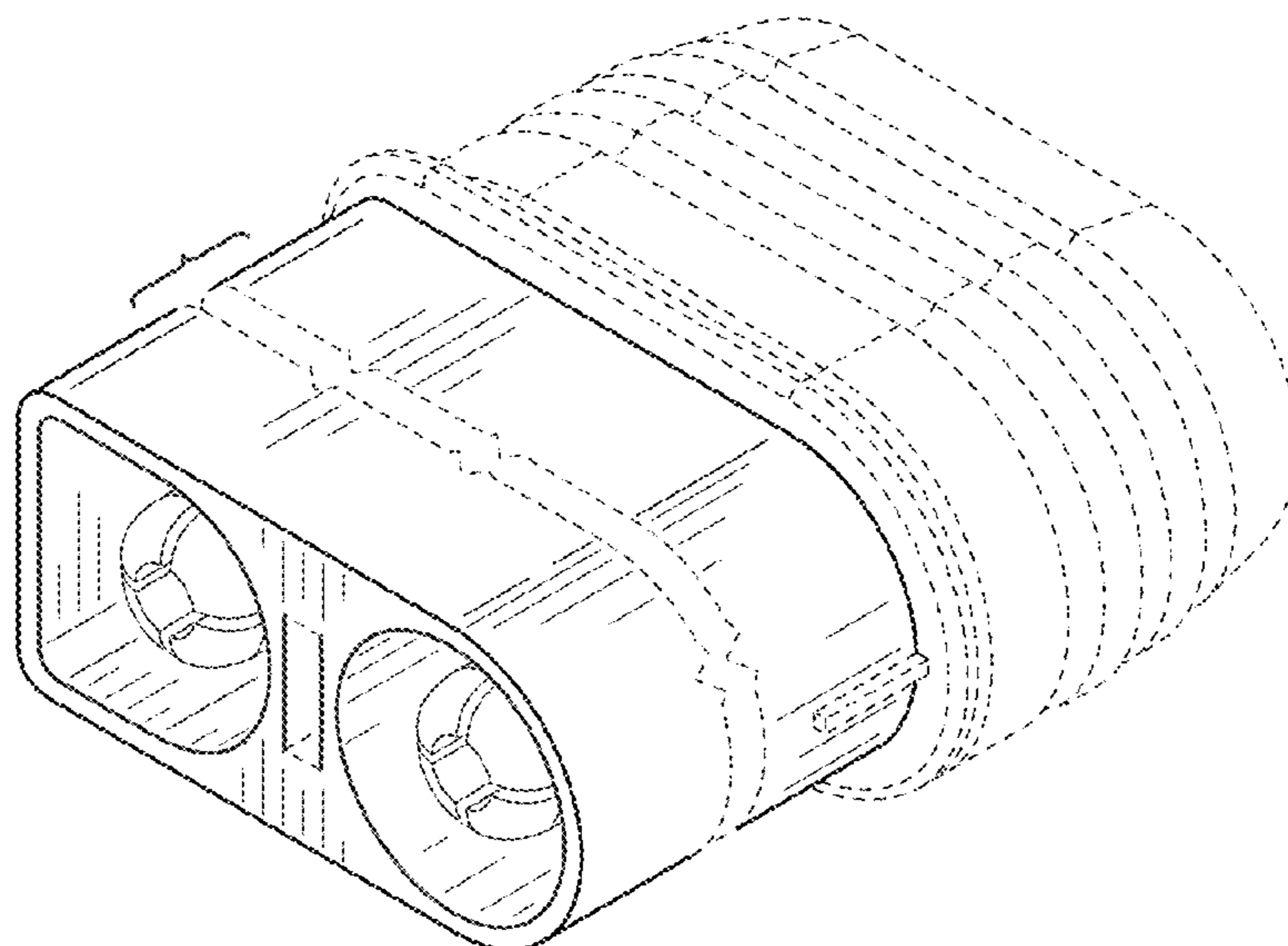
The ornamental design for a battery connector, as shown and described.

DESCRIPTION

FIG. 1 is a perspective view of a battery connector, according to an embodiment of my new design;
FIG. 2 is a front view thereof;
FIG. 3 is a rear view thereof;
FIG. 4 is a right side view thereof;
FIG. 5 is a left side view thereof;
FIG. 6 is a top view thereof; and,
FIG. 7 is a bottom view thereof.

The jagged broken lines on the barrel of the battery connector represent a symbolic break in length. The appearance of any portion of the article between the break lines forms no part of the claimed design. The remaining broken lines illustrate portions of the battery connector and environmental structure that form no part of the claimed design.

1 Claim, 4 Drawing Sheets



(56)

References Cited

U.S. PATENT DOCUMENTS

D874,405 S * 2/2020 Nagadome D13/153
 2010/0009577 A1* 1/2010 Fisher H05B 41/02
 439/682
 2010/0291804 A1* 11/2010 Zhang H01R 43/24
 439/660
 2011/0003512 A1* 1/2011 Bower H01R 13/642
 439/627
 2017/0199340 A1* 7/2017 Wang G02B 6/3869

OTHER PUBLICATIONS

Learn more about the Spektrum iC3 and iC5 Smart Connectors, dated Oct. 11, 2018, [online], [site visited Aug. 10, 2020]. Available from Internet, URL: <https://www.youtube.com/watch?v=PIWstGZgQ-Q> (Year: 2018).*

TE Connectivity Instruction Sheet, dated Nov. 28, 2012, [online], [site visited Aug. 10, 2020]. Available from Internet, URL: <https://www.te.com/commerce/DocumentDelivery/DDEController?Action=>

showdoc&DocId=Specification+Or+Standard%7F408-7300%7FE%7Fpdf%7FEnglish%7FENG_SS_408-7300_E.pdf%7F1-480704-0 (Year: 2012).*

Spektrum Smart S1200 200W DC Charger with IC3 Connector, dated Oct. 4, 2020, [online], [site visited Aug. 10, 2020]. Available from Internet, URL: <https://www.amazon.com/Spektrum-Smart-Charger-Connector-Display/dp/B07HP599CK/> (Year: 2018).*

EC3 to Traxxas, dated Sep. 27, 2018, [online], [site visited Aug. 10, 2020]. Available from Internet, URL: <https://www.ekfay.com/> (Year: 2018).*

Product Review: Amass XT90 connectors by AMASS: <<https://www.amazon.com/Amass-Female-Bullet-Connectors-Battery/dp/B06ZY34369/ref=pd_lpo_sbs_21_img_0?encoding=UTF8&psc=1&refRID=3TVZHT8FPRN7V7DMTN6W>>, printed Aug. 14, 2019.

Product Review: Amass XT60 connectors by AMASS: <<https://china-amass.en.alibaba.com/product/60455571437-803059152/ESC_connector_for_airplane_model_and_plane_ESC_connect_plug_XT60_for_airplane_model_.html?spm=a2700.icbuShop.41413.11.7df21b65srId7B>>, printed Aug. 14, 2019.

* cited by examiner

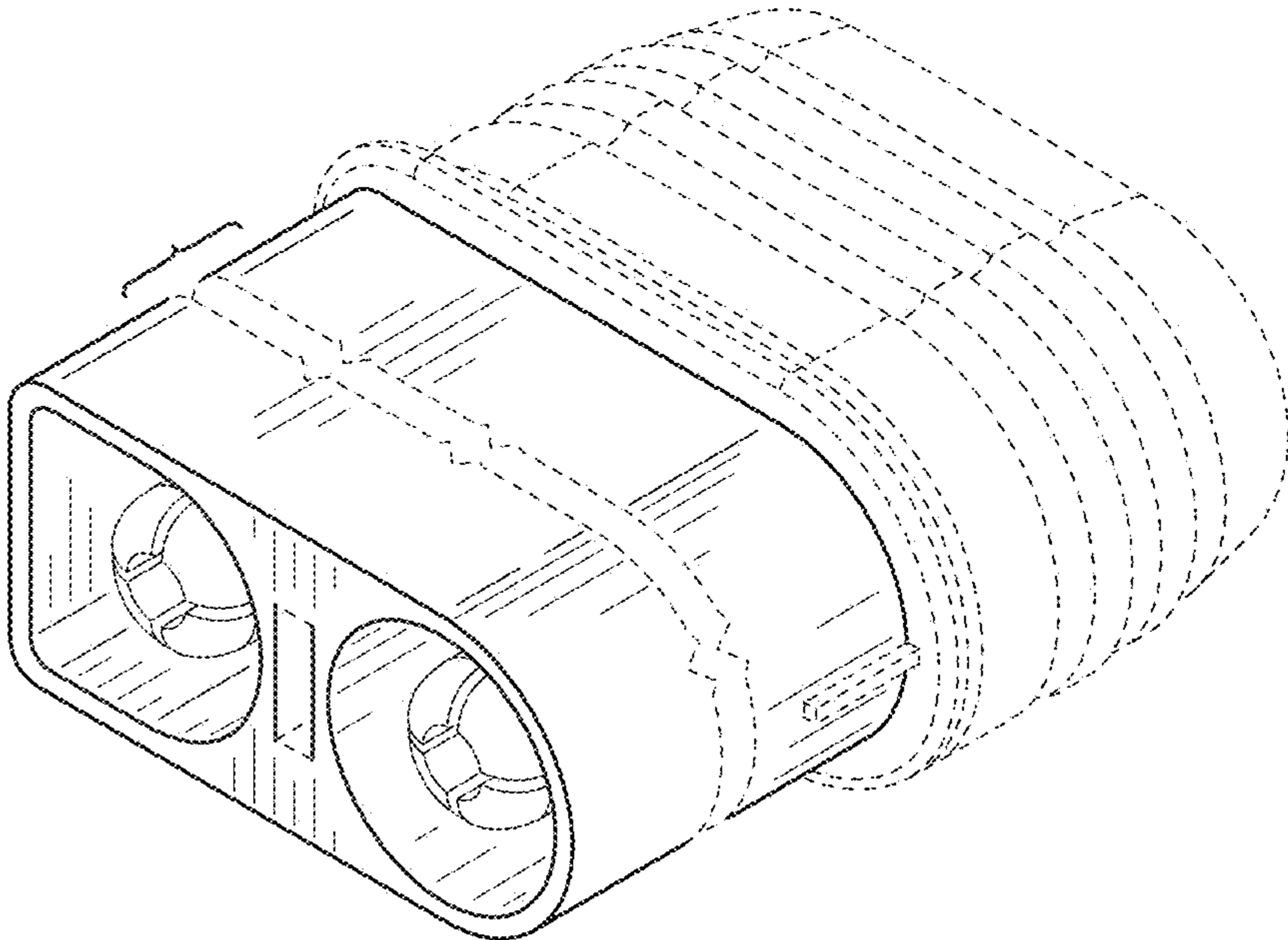


FIG. 1

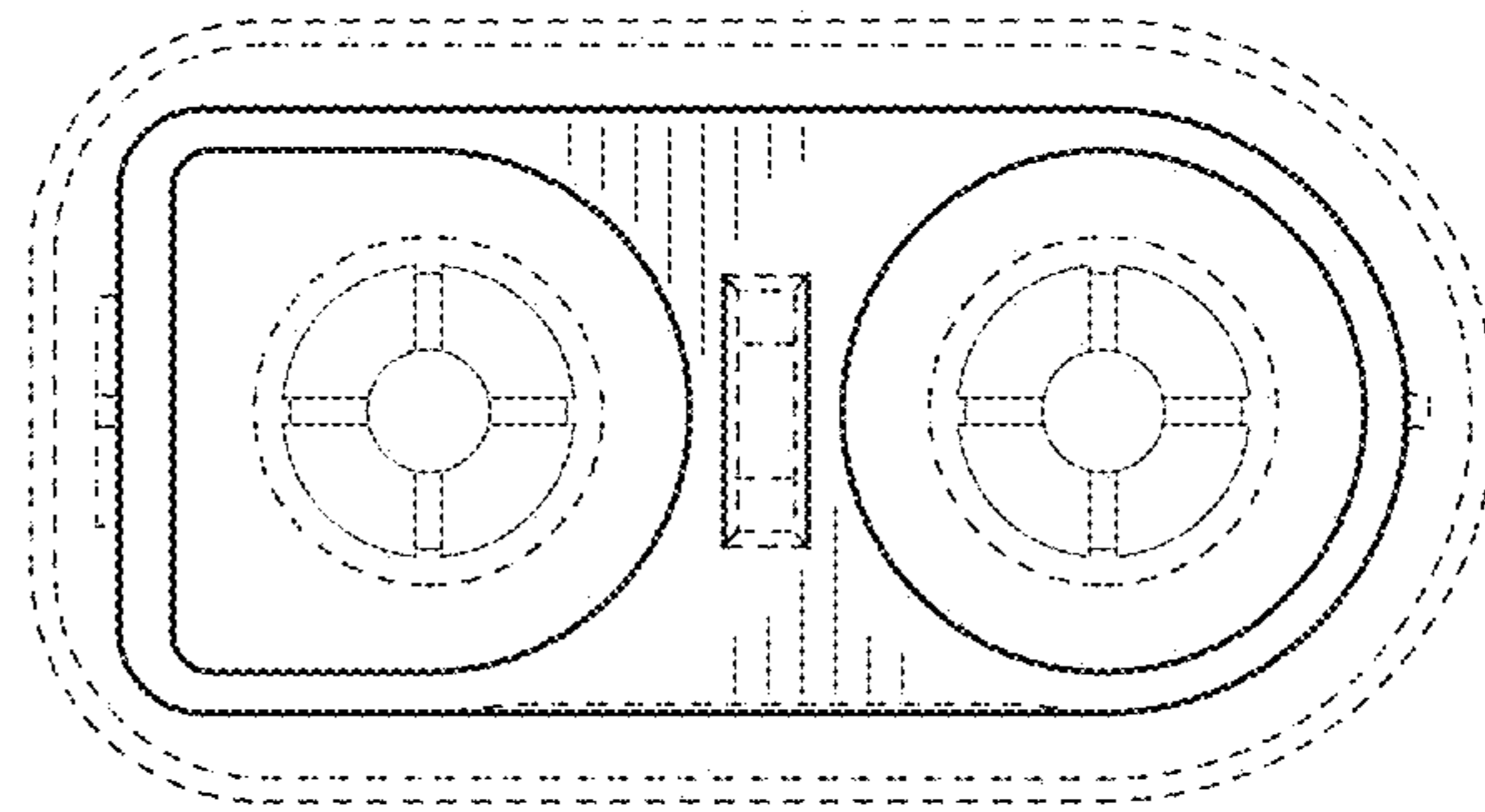


FIG. 2

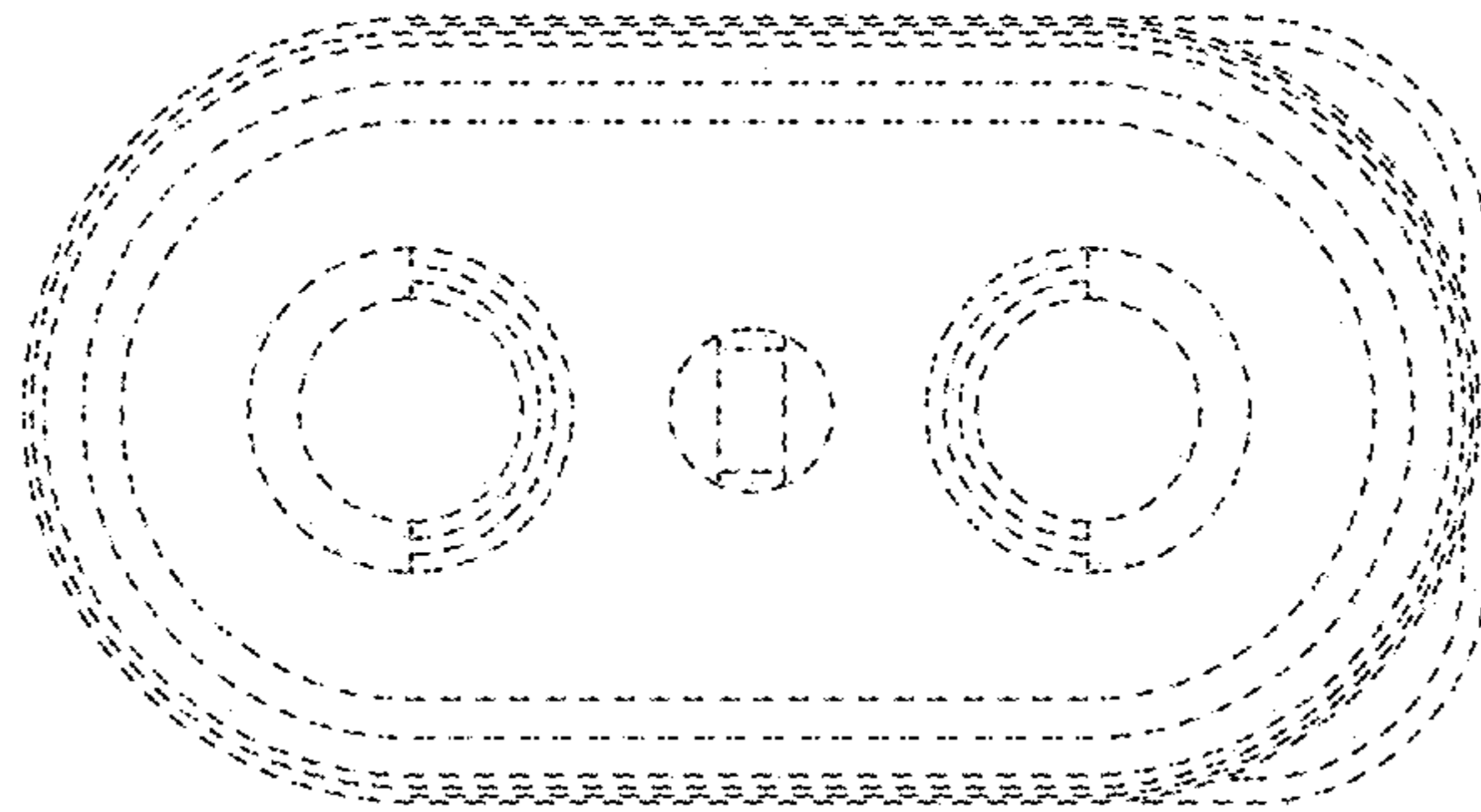


FIG. 3

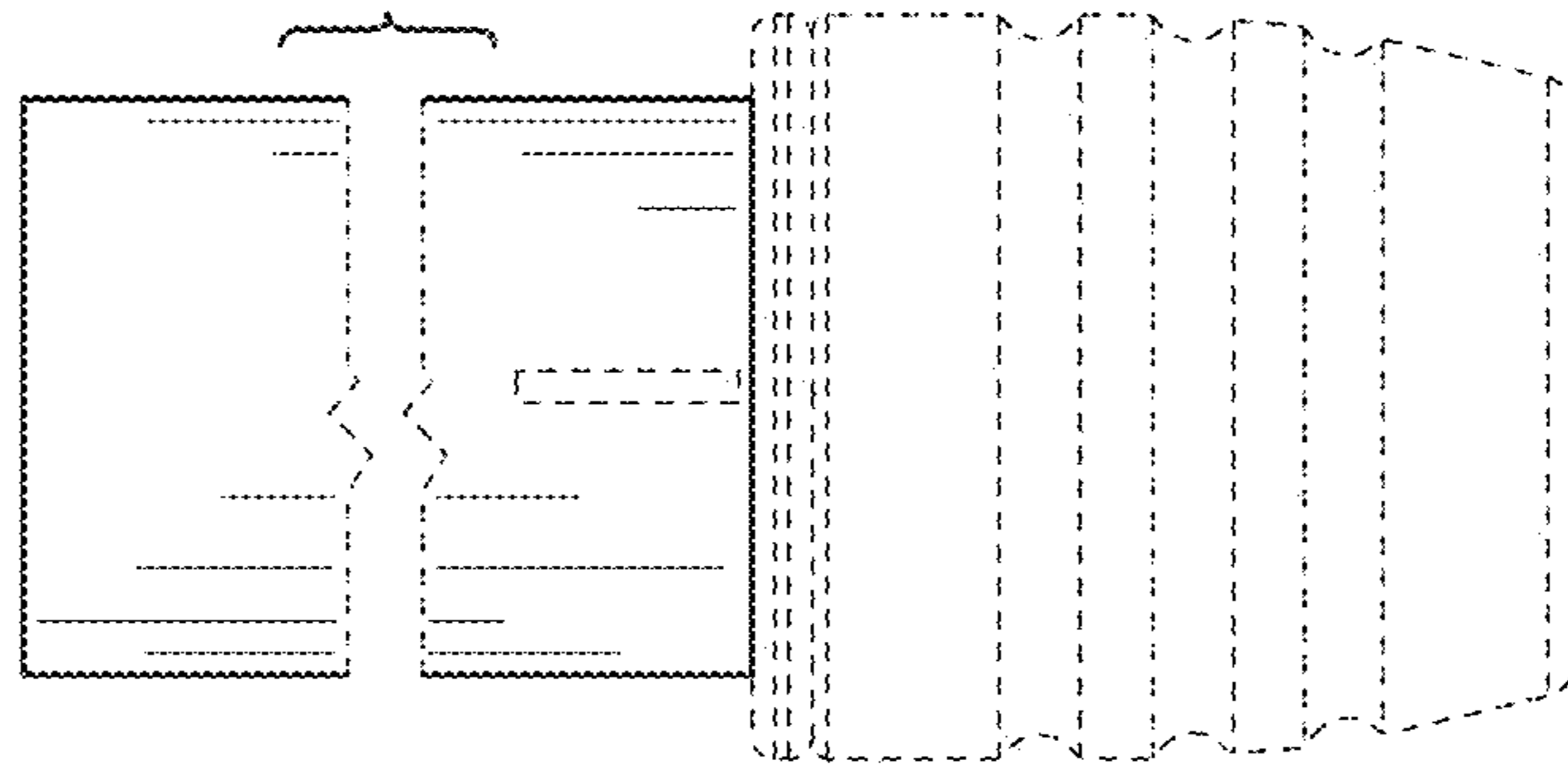


FIG. 4

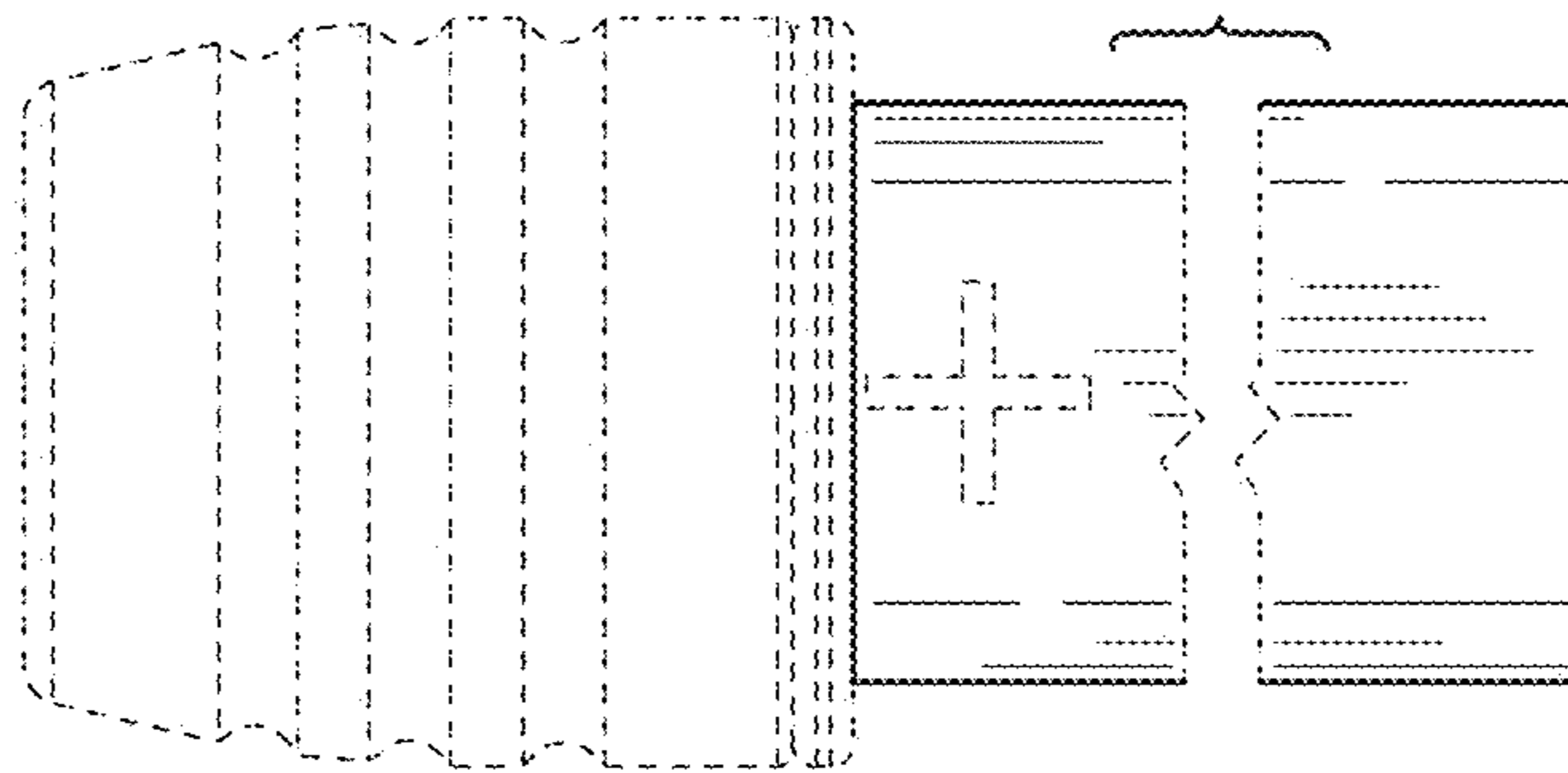


FIG. 5

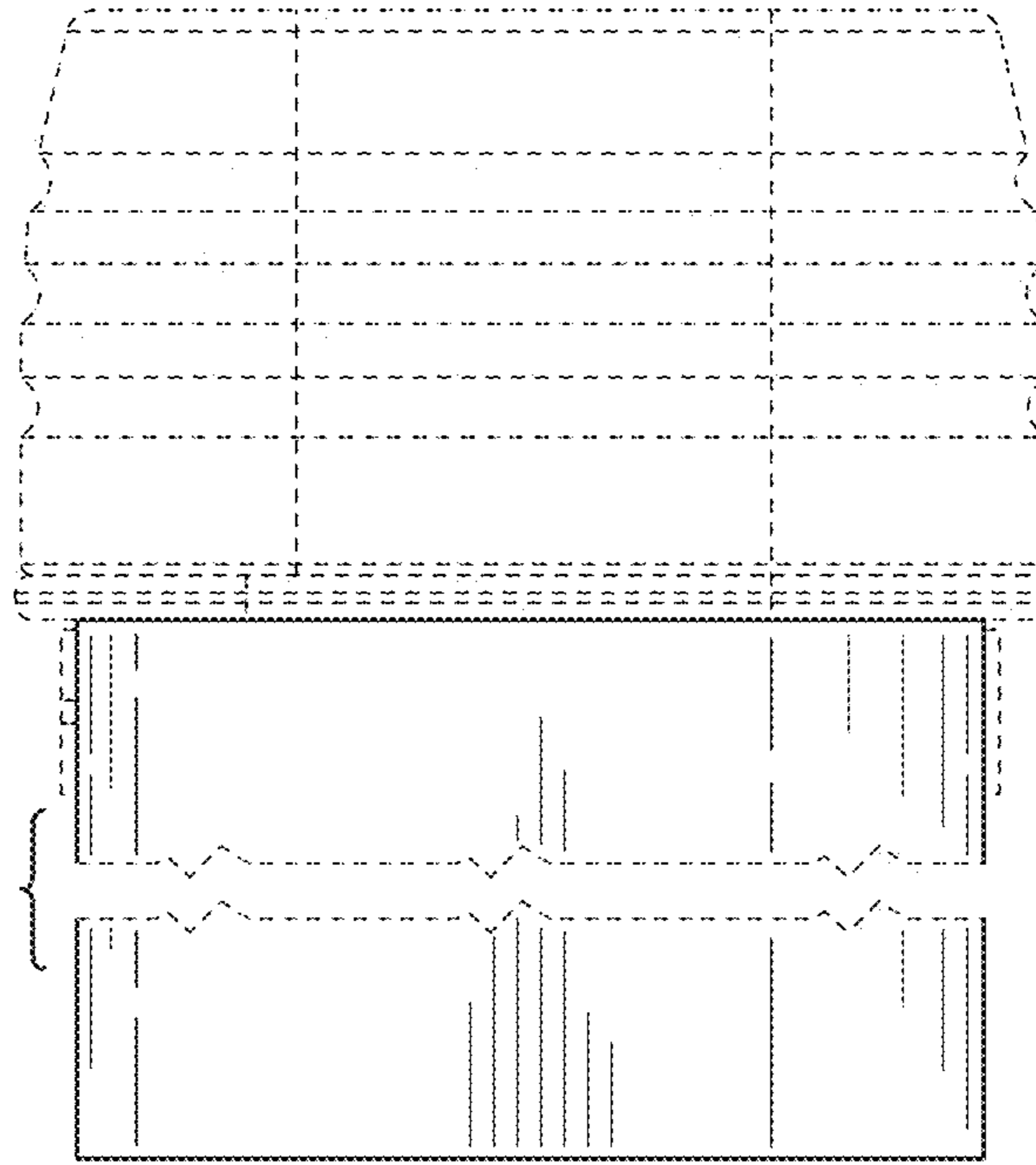


FIG. 6

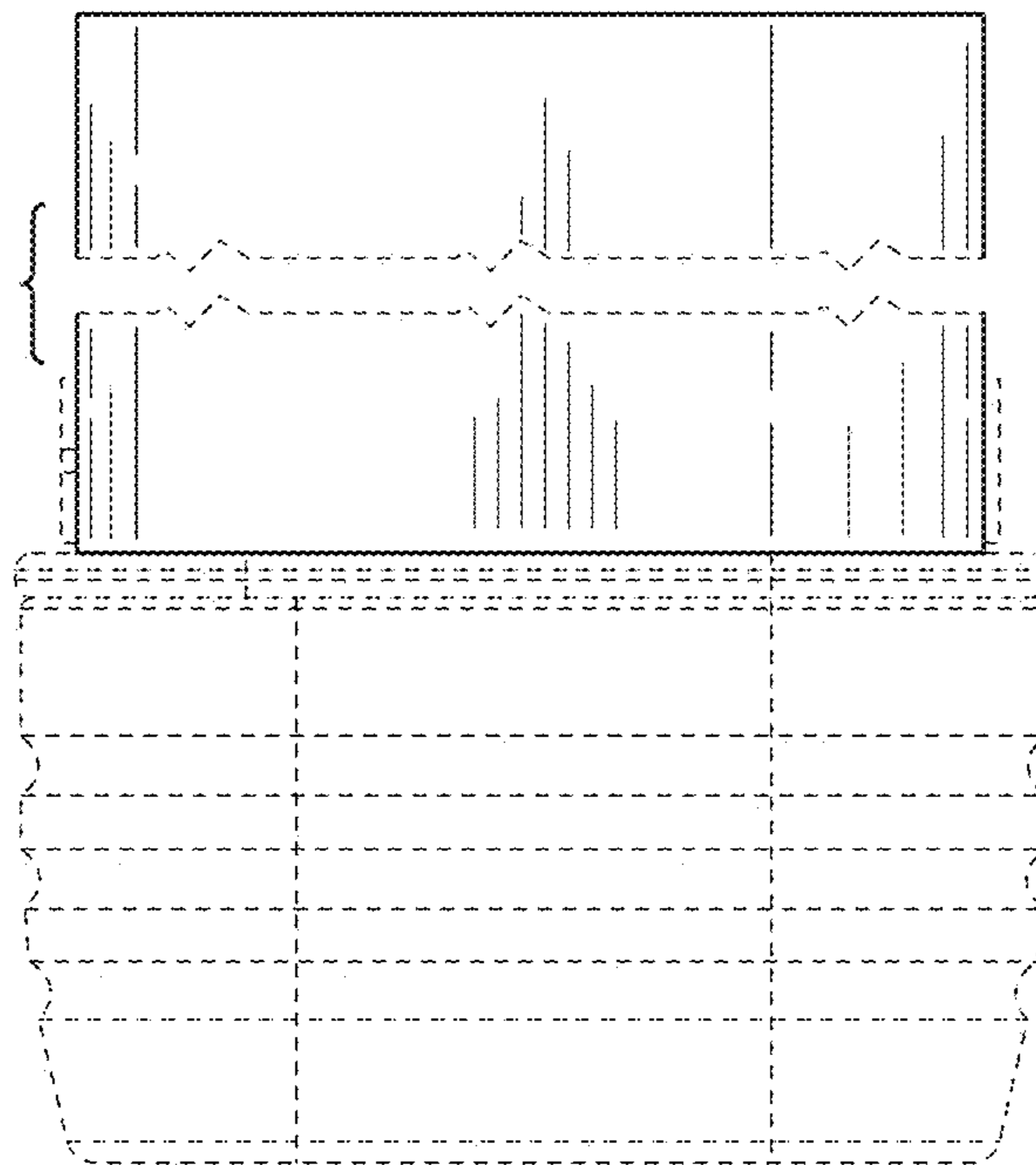


FIG. 7