



US00D941769S

(12) **United States Design Patent**
Lövmemark et al.

(10) **Patent No.:** **US D941,769 S**
(45) **Date of Patent:** **** Jan. 25, 2022**

(54) **DISTRIBUTION BOARD**

(71) Applicant: **ABB Schweiz AG**, Baden (CH)
(72) Inventors: **Mattias Lövmemark**, Västerås (SE); **Dan Salomonsson**, Västerås (SE); **Henrik Carlsson-Bohm**, Västerås (SE); **Bengt Nilson**, Västerås (SE); **Henrik Kruse**, Västerås (SE)

(73) Assignee: **ABB Schweiz AG**, Baden (CH)

(**) Term: **15 Years**

(21) Appl. No.: **29/735,514**

(22) Filed: **May 21, 2020**

(30) **Foreign Application Priority Data**

May 5, 2020 (EP) 007873666

(51) **LOC (13) Cl.** **13-03**

(52) **U.S. Cl.**
USPC **D13/123**

(58) **Field of Classification Search**
USPC D13/123, 133, 158–162, 173, 178, 184, D13/199; D14/485–495
CPC .. H01H 3/30; H01H 5/00; H01H 9/00; H01H 9/02; H01H 9/20; H01H 33/70; H01H 71/02; H01H 71/04; H01H 9/22; H02B 1/00; H02B 1/40; H02G 5/02
See application file for complete search history.

(56) **References Cited**

U.S. PATENT DOCUMENTS

D502,118	S	*	2/2005	Kraus	D10/98
D812,020	S	*	3/2018	Seidl	D13/162
D815,662	S	*	4/2018	Kim	D14/487
D854,549	S	*	7/2019	Clifford	D14/485
D882,625	S	*	4/2020	Dixit	D14/488
D904,906	S	*	12/2020	Lindgren	D10/49
D905,758	S	*	12/2020	Tomczak	D15/5
D912,096	S	*	3/2021	Tomczak	D15/5
2013/0264866	A1	*	10/2013	Asakura	H01R 12/00 307/9.1

* cited by examiner

Primary Examiner — Shawn T Gingrich

(74) *Attorney, Agent, or Firm* — Whitmyer IP Group LLC

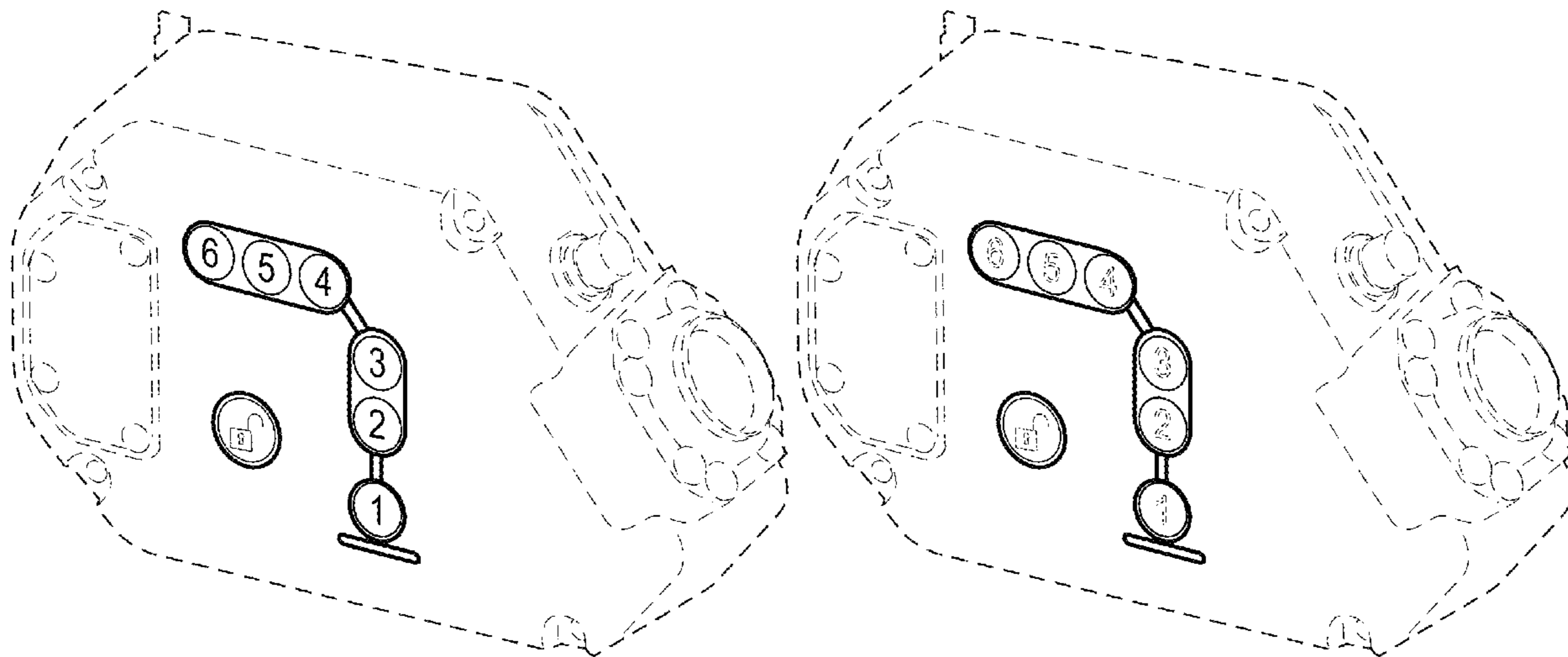
(57) **CLAIM**

The ornamental design for a distribution board, as shown and described.

DESCRIPTION

FIG. 1 is an isometric view of a distribution board in accordance with the new design;
FIG. 2 is an elevational view thereof;
FIG. 3 is an isometric view of another embodiment of a distribution board in accordance with the new design; and,
FIG. 4 is an elevational view thereof.
The broken lines in the drawings depict portions of the distribution board that form no part of the claimed design.

1 Claim, 4 Drawing Sheets



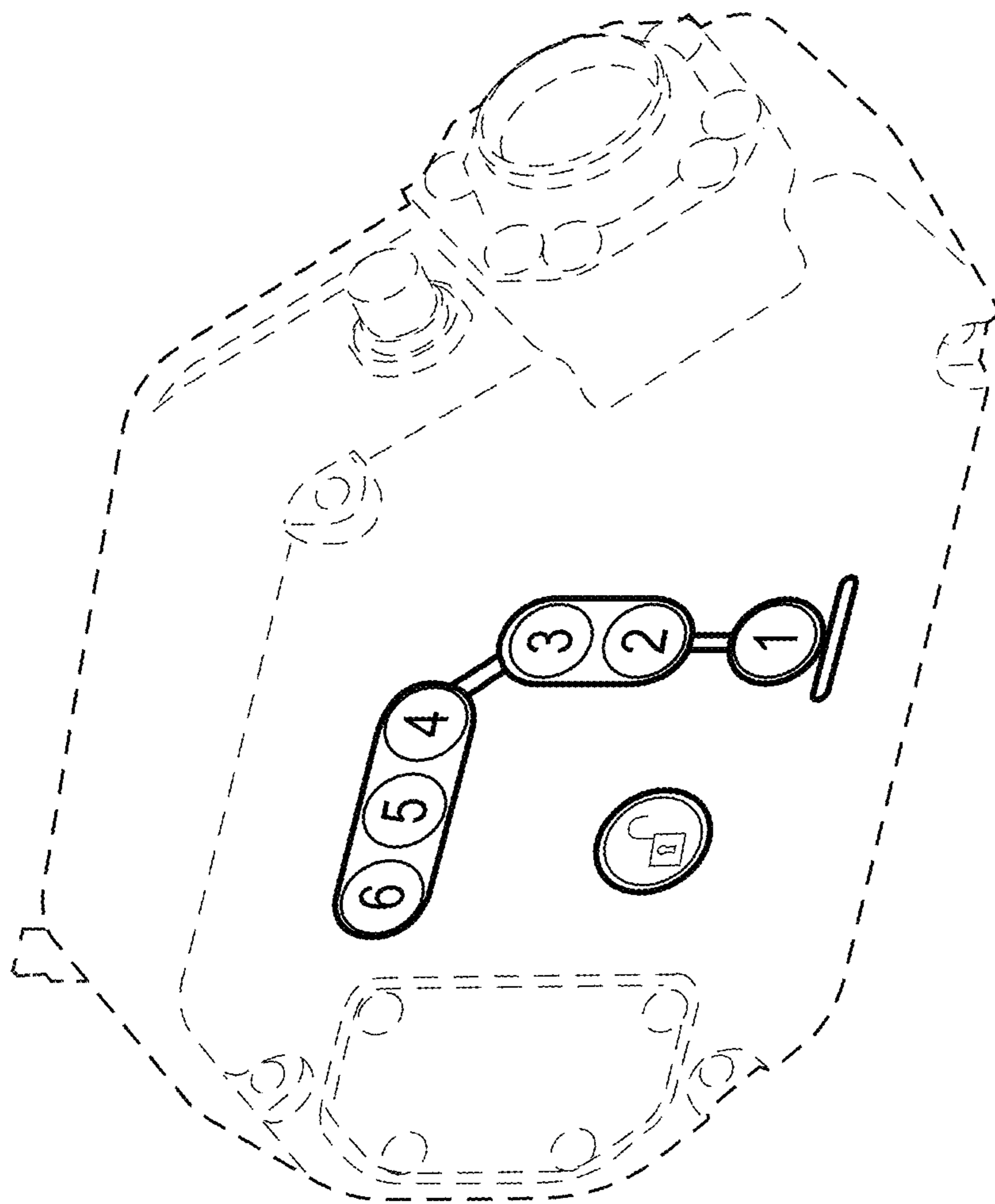


Fig. 1

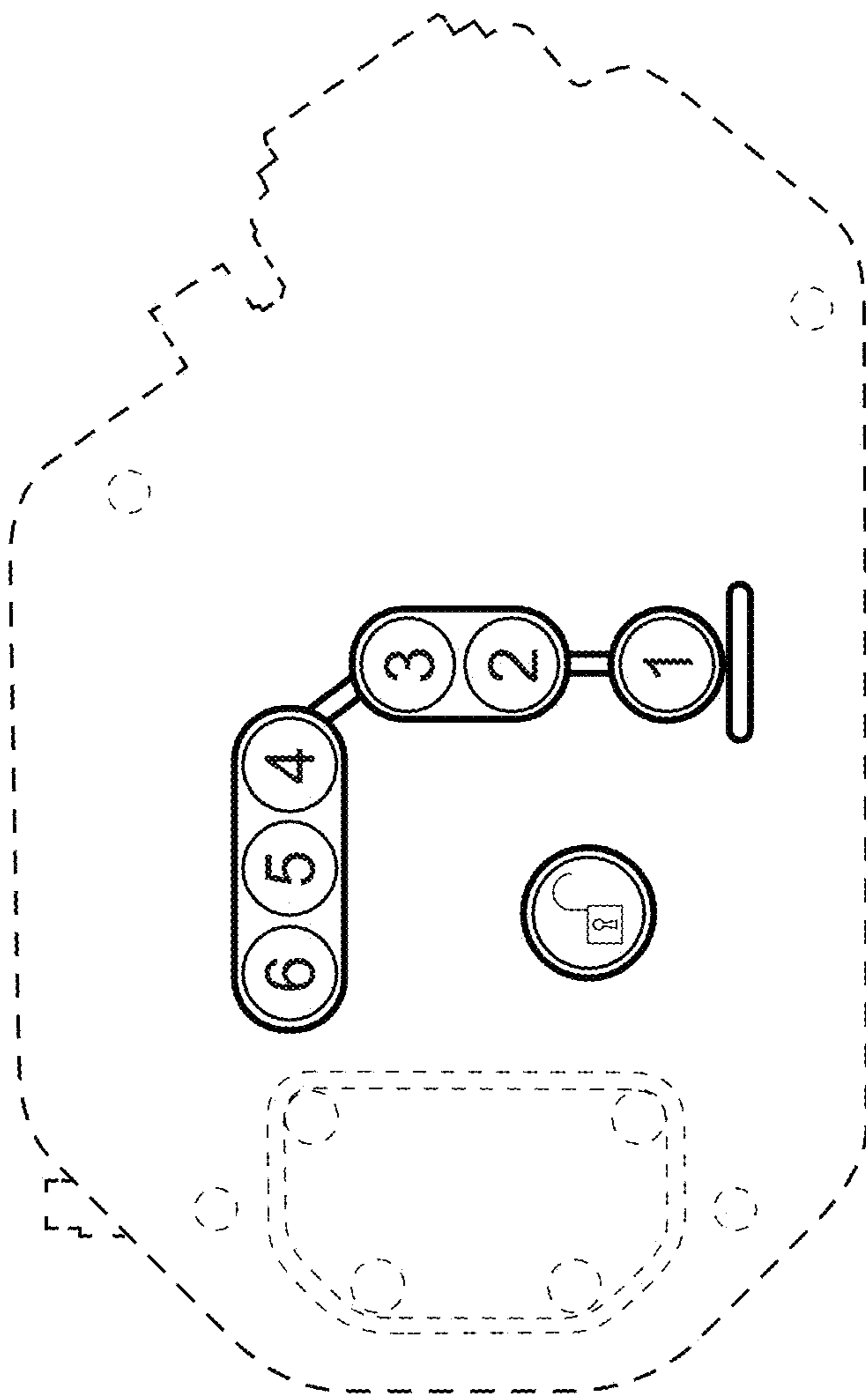


Fig. 2

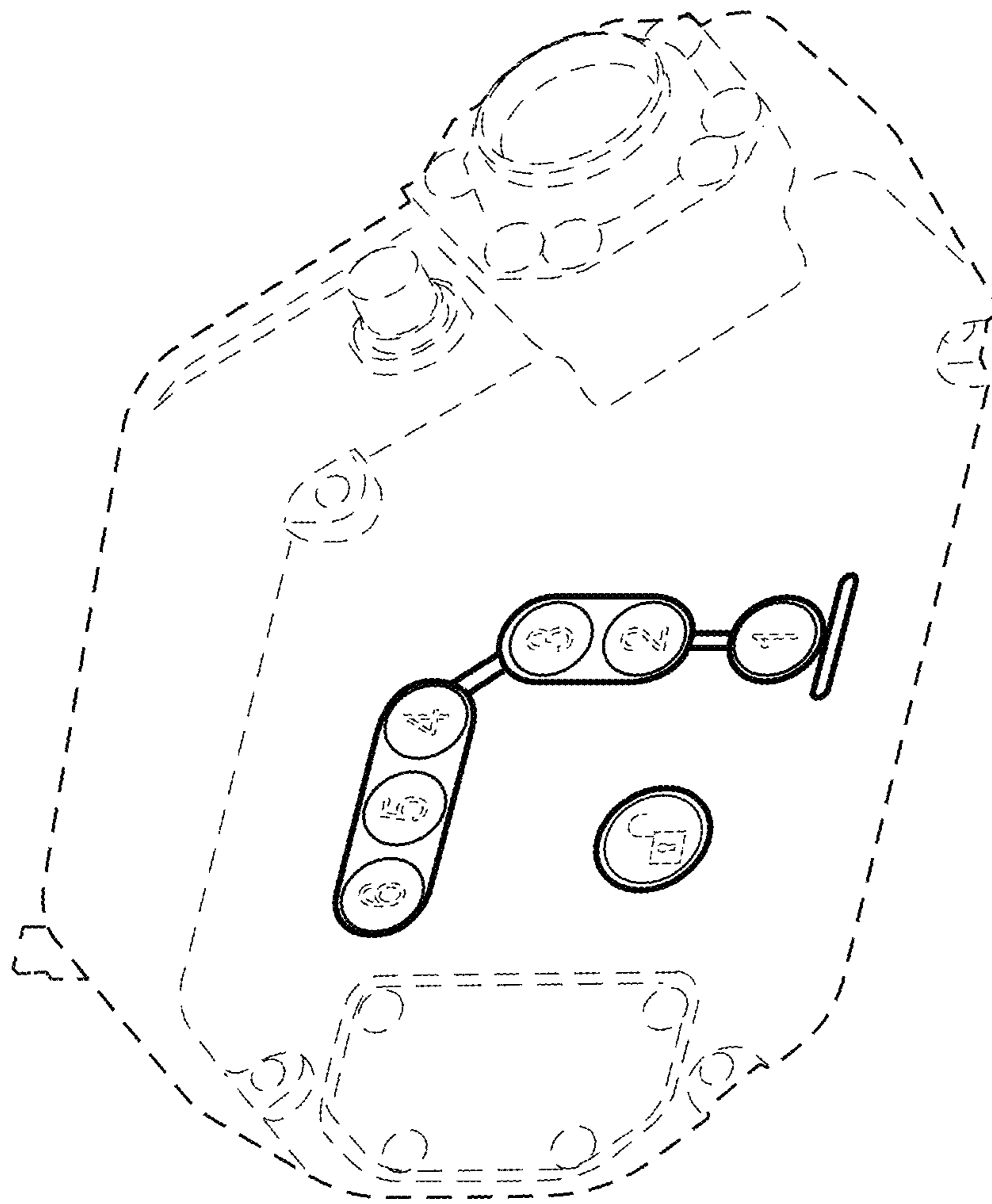


Fig. 3

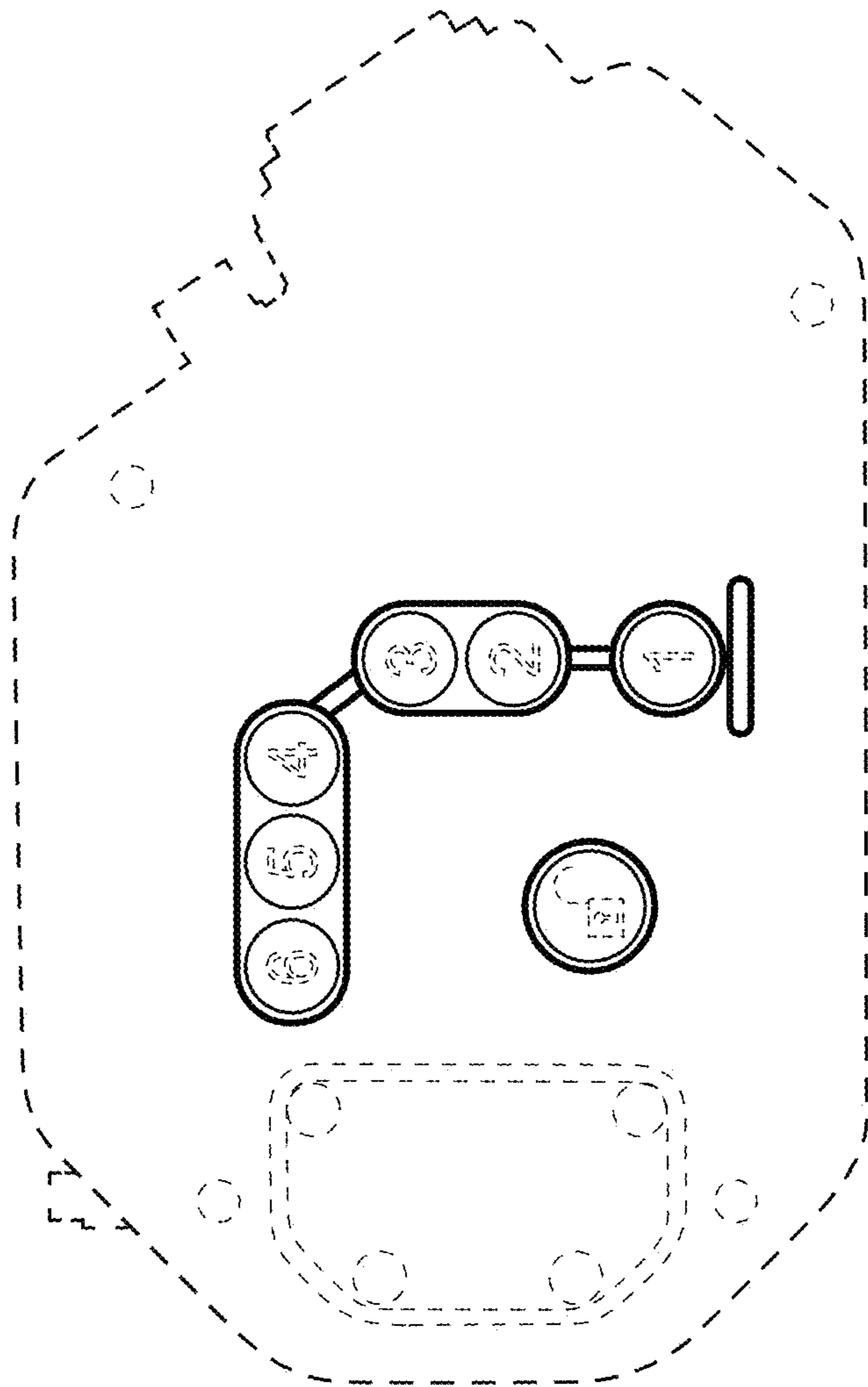


Fig. 4